



ИБП Eaton 9130 Marine 2kVA - Eaton 9130M UPS (1000-3000 VA) - Листовка описания и специфика

Постоянная ссылка на страницу: <https://eaton-power.ru/catalog/eaton-9130-marine/eaton-9130-marine-2kva/>

# Eaton 9130M UPS

1000/2000/3000 VA



Multilingual LCD

#### Advanced vessel or rig power protection for:

- Bridge systems
- Navigation systems
- Communication systems
- Small computer and automation systems



#### Double conversion UPS

##### Qualified design for marine and offshore environment

- DNV and ABS type approved UPS
- Hardened mechanical design
- Easy to install, mounting rails can be bolted or welded to the deck/bulk head or shelf
- Vibration absorbers under the cabinet

##### Maximum availability

- Double conversion on-line UPS with automatic by-pass and power factor correction
- Possibility to add more runtime at any time with up to four external hot-swappable battery modules to run systems for hours if necessary.
- Enables prolonged runtime of essential equipment during power outages by allowing for orderly, remote shutdown of non-critical systems and processes thanks to a capability to control load segments.
- Continuous power supply: Batteries can be swapped without ever having to shut down connected equipment.
- Internal automatic static bypass switch
- ABM® technology charges batteries only when necessary, preventing batteries corrosion and prolonging batteries service life by up to 50%.

##### Outstanding versatility

- Format: Compact tower format design allows installation on the deck or on shelf
- Enhanced configuration capability through easily navigated multilingual graphical display.
- Adapted for use in the ungrounded electrical distribution systems (IT mains)
- Compatible with high power factor loads: Eaton 9130M is rated for 0.9 power factor (1000 VA/900 W, 2000 VA/1800 W and 3000 VA/2700 W)
- Configurable to frequency converter operation (50 → 60Hz and 60 → 50Hz)
- Connectivity options are available for almost any network environment.



Powering Business Worldwide

# Eaton 9130M UPS

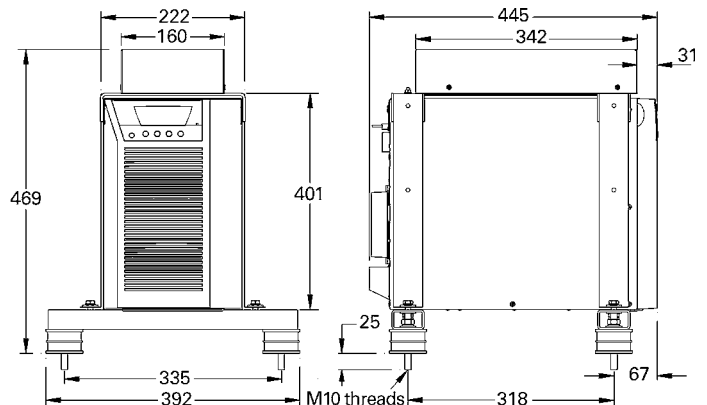
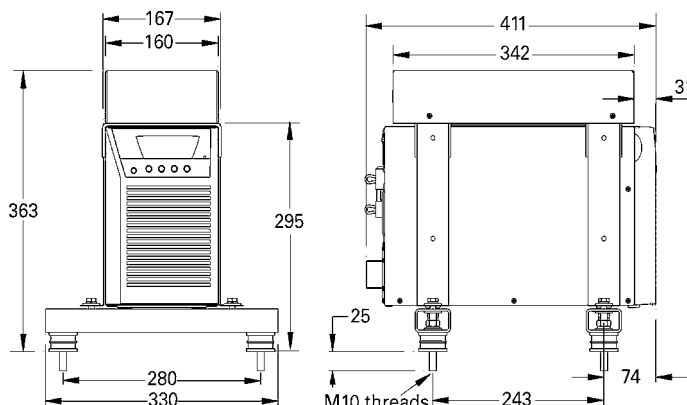


1. Multilingual graphical LCD display
2. Panel for replacing batteries
3. 1 USB port + 1 serial port
4. 1 Relay Output + 1 EPO connector
5. EBM battery unit connector
6. Load segments
7. Communication card slot

## TECHNICAL SPECIFICATIONS

| General              |  |
|----------------------|--|
| User interface       | Graphical LCD with blue backlight and text in English, French, German, Russian and Spanish |
| LEDs                 | Four status-indicating LEDs  |
| Topology             | True online, double-conversion   |
| Diagnostics          | Full system self-test  |
| UPS bypass           | Automatic bypass   |
| Electrical Input     |  |
| Nominal voltage      | 220–240V   |
| Voltage range        | up to 120-276 VAC (depending on load level)  |
| Frequency range      | 40-70 Hz (50/60 Hz)  |
| Electrical Output    |  |
| Power factor         | 0.9  |
| Voltage              | ±3 % of nominal regulation (on utility and battery)  |
| Frequency regulation | ±3 Hz online   |
| Load crest factor    | 3 to 1   |

| Communications                         |  |
|--|--|
| Ports                                  | RS-232 and USB HID port as standard  |
| Relay output                           | Common alarm standard  |
| Optional communication cards (BD Slot) | SNMP/Web card for monitoring in SNMP-based networks, monitoring through Web browser interface.<br>Relay card for integration to industrial environment and BMS, remote shutdown for IBM AS/400 systems |
| Environmental                          |  |
| Audible noise                          | <50 dB   |
| Ambient operating                      | 0°C to +40°C   |
| Storage temperature                    | -20°C to +40°C with batteries and<br>-25°C to +55°C without batteries  |
| Relative humidity                      | 5–90% non-condensing   |
| Compliance with standards              |  |
| Safety                                 | IEC/EN 62 040-1-1  |
| Performance                            | IEC/EN 62 040-3  |
| EMC                                    | IEC/EN62040-2, (Emissions, Category C1; Immunity, Category C2), IEC/EN 60945   |
| Approvals                              | CE, GS, DNV, ABS   |



| Description            | Part number    | Dimensions HxWxD* | Weight* |
|------------------------|----------------|-------------------|---------|
| Eaton 9130 1kVA Marine | 103007846-6591 | 363x330x411 mm    | 20 kg   |
| Eaton 9130 2kVA Marine | 103007847-6591 | 469x392x445 mm    | 33 kg   |
| Eaton 9130 3kVA Marine | 103007848-6591 | 469x392x445 mm    | 33 kg   |

\* with Installation kit and filter assembled

| Options   | Part number    |
|---|----------------|
| 9130-1kVA Marine filter   | 1029424        |
| 9130-2kVA Marine filter   | 1031246        |
| 9130-3kVA Marine filter   | 1029425        |
| 9130-1kVA Installation kit  | 1029426        |
| 9130-3kVA Installation kit  | 1029427        |
| PW9130N1000T-EBM  | 103006438-6591 |
| PW9130N3000T-EBM  | 103006440-6591 |
| 2m EBM Cable for 1kVA   | 152602868-001  |
| 2m EBM Cable for 2-3kVA   | 152602870-001  |
| Marine UPS requires Installation kit for DNV and ABS approval and Marine filter (EMC) for IEC/EN 60945 compliance |                |

| BATTERY RUNTIMES*      | Internal batteries |          | +1 EBM    |          | +2 EBMs   |          | +3 EBMs   |          | +4 EBMs   |          |
|------------------------|--------------------|----------|-----------|----------|-----------|----------|-----------|----------|-----------|----------|
|                        | 100% Load          | 50% Load | 100% Load | 50% Load | 100% Load | 50% Load | 100% Load | 50% Load | 100% Load | 50% Load |
| Eaton 9130 1000 Marine | 6                  | 19       | 31        | 68       | 51        | 111      | 82        | 192      | 100       | 246      |
| Eaton 9130 2000 Marine | 11                 | 27       | 44        | 95       | 79        | 168      | 115       | 258      | 161       | 336      |
| Eaton 9130 3000 Marine | 6                  | 15       | 21        | 60       | 51        | 100      | 66        | 169      | 93        | 215      |

\* Runtimes are shown at a 0.9 power factor. Backup times are approximate and may vary with equipment, configuration, battery age, temperature, etc.

