



ИБП Eaton 9PX 6000i HotSwap (9PX6KiBP) - Eaton 9PX ModularEasy - Пользовательский мануал по

Постоянная ссылка на страницу: <https://eaton-power.ru/catalog/eaton-9px/eaton-9px-6000i-hotswap/>



EAT•N

**9PXMEZ6Ki
9PXMEZ11Ki
Installation
and user manual**

English - Français

Deutsch - Español

Русский



ModularEasy

9PXMEZ6Ki
9PXMEZ11Ki

Installation
and user manual

Copyright © 2014 **EATON**
All rights reserved.

Service and support:
Call your local service representative

SAFETY INSTRUCTIONS

SAVE THESE INSTRUCTIONS. This manual contains important instructions that should be followed during installation and maintenance of the ModularEasy and UPS.

The ModularEasy models that are covered in this manual are intended for installation in an environment within 0 to 40°C, free of conductive contaminant.

These limits are designed to provide reasonable protection against harmful interference when the equipment is operated in a commercial environment. This equipment generates, uses, and can radiate radio frequency energy and, if not installed and used in accordance with the instruction manual, may cause harmful interference to radio communications. Operation of this equipment in a residential area is likely to cause harmful interference in which case the user will be required to correct the interference at his own expense.

Certification standards (in use with UPS)

- Safety: IEC/EN 62040-1 / Ed.1: 2008.
- EMC: IEC/EN 62040-2 / Ed.2: 2006.
- Performance: IEC/EN 62040-3 / Ed.2.0: 2011.
- IEC 61000-4-2 (ESD): level 3.
- IEC 61000-4-3 (Radiated field): level 3.
- IEC 61000-4-4 (EFT): level 4.
- IEC 61000-4-5 (Fast transients): level 4.
- IEC 61000-4-6 (Electromagnetic field): level 3.
- IEC 61000-4-8 (Conducted magnetic field): level 4.

Special symbols

The following are examples of symbols used on the ModularEasy to alert you to important information:



RISK OF ELECTRIC SHOCK - Observe the warning associated with the risk of electric shock symbol.



Important instructions that must always be followed.



This symbol indicates that you should not discard waste electrical or electronic equipment (WEEE) in the trash. For proper disposal, contact your local recycling/reuse or hazardous waste center.



Information, advice, help.

Safety of persons

- The system has its own power source when connected to the UPS (UPS battery). Consequently, the power outlets may be energized even if the system is disconnected from the AC power source. Dangerous voltage levels are present within the system. It should be opened exclusively by qualified service personnel.
- The product must be properly grounded, always connect the earth wire first

Product safety

- The ModularEasy connection instructions and operation described in the manual must be followed in the indicated order. Disconnection and overcurrent protection devices shall be provided by others for AC in/out circuits.
- CAUTION -To reduce the risk of fire, the unit connects only to a circuit provided with branch circuit overcurrent protection (please refer to the UPS User Manual for current rating). The upstream circuit breaker must be easily accessible. The unit can be disconnected from AC power source by opening this circuit breaker, and if still connected to UPS, by previously shutting down the UPS (refer to the UPS User Manual)
- Check that the indications on the rating plate correspond to your AC powered system and to the actual electrical consumption of all the equipment to be connected to the system.
- For PLUGGABLE EQUIPMENT, the socket-outlet shall be installed near the equipment and shall be easily accessible
- Never install the system near liquids or in an excessively damp environment.
- Never let a foreign body penetrate inside the system.
- Never expose the system to direct sunlight or source of heat.
- If the system must be stored prior to installation, storage must be in a dry place.
- The admissible storage temperature range is -15°C to +60°C.

Special precautions

- The ModularEasy is designed to work with approved EATON UPS (contact your Eaton reseller for more information).
- All repairs and service should be performed by AUTHORIZED SERVICE PERSONNEL ONLY.
- There are NO USER SERVICEABLE PARTS inside the ModularEasy.

Contents

1. Introduction	5
1.1 Environmental protection	5
2. Presentation	6
2.1 Standard installation	6
2.2 Description / Panels	7
2.3 Firmware upgrade	8
2.4 Parallel UPS screen	8
2.5 Parallel setting	8
3. Installation	9
3.1 Inspecting the equipment	9
3.2 Unpacking the ModularEasy	9
3.3 Checking the accessory kit	9
3.4 Tower installation	10
3.5 Rack installation with non-included optional Rail Kit: 9RK	10
3.6 Example of rack 19" setup with optional EBM 9PX EBM 240V	11
3.7 Example of battery integration system with non-included optional Trolley Frame: BINTSYS	11
3.8 Installation requirements	12
4. Power cables connection	14
4.1 9PXMEZ6Ki	14
4.2 9PXMEZ11Ki - with common Normal and Bypass AC source	16
4.3 9PXMEZ11Ki - with separate Normal and Bypass AC source	18
5. Operations	20
5.1 UPS parallel system start-up	20
5.2 UPS maintenance with ModularEasy	21
5.3 UPS replacement with ModularEasy	22
6. Troubleshooting	24
7. Specifications	24

Thank you for selecting an EATON product to protect your electrical equipment.

The ModularEasy range has been designed with the utmost care.

We recommend that you take the time to read this manual to take full advantage of the many features of your ModularEasy.

Before installing your ModularEasy with your UPS, please read first the safety instructions.

Then follow the indications in this manual, which completes the UPS Installation and User Manual.

To discover the entire range of EATON products, we invite you to visit our web site at www.eaton.com/powerquality or contact your EATON representative.

1.1 Environmental protection

EATON has implemented an environmental-protection policy.

Products are developed according to an eco-design approach.

Substances

This product does not contain CFCs, HCFCs or asbestos.

Packing

To improve waste treatment and facilitate recycling, separate the various packing components.

- The cardboard we use comprises over 50% of recycled cardboard.
- Sacks and bags are made of polyethylene.
- Packing materials are recyclable and bear the appropriate identification symbol



Materials	Abbreviations	Number in the symbols
Polyethylene terephthalat	PET	01
High-density polyethylene	HDPE	02
Polyvinyl chloride	PVC	03
Low-density polyethylene	LDPE	04
Polypropylene	PP	05
Polystyrene	PS	06

Follow all local regulations for the disposal of packing materials.

End of life



EATON will process products at the end of their service life in compliance with local regulations. EATON works with companies in charge of collecting and eliminating our products at the end of their service life.

Product



The product is made up of recyclable materials. Dismantling and destruction must take place in compliance with all local regulations concerning waste. At the end of its service life, the product must be transported to a processing center for electrical and electronic waste.

2. Presentation

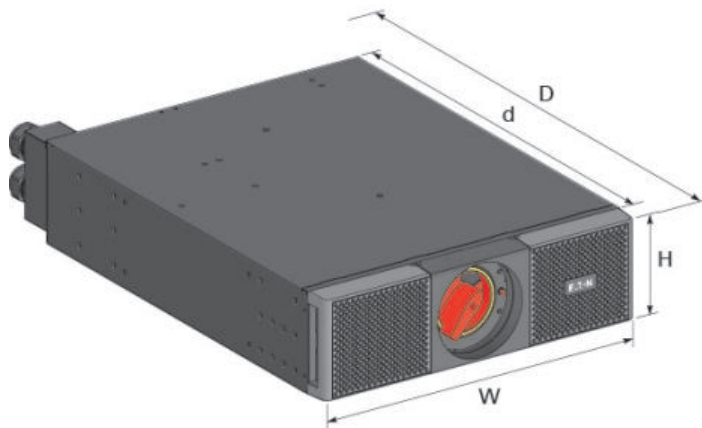
The Eaton® ModularEasy is an essential part of your Parallel system. It allows the connection of 2 UPS together, moreover, it possible to service or even replace the UPS without affecting the connected loads.

You can safely eliminate the effects of UPS maintenance and guard the integrity of your equipment. Providing outstanding reliability, the Eaton ModularEasy unique benefits include:

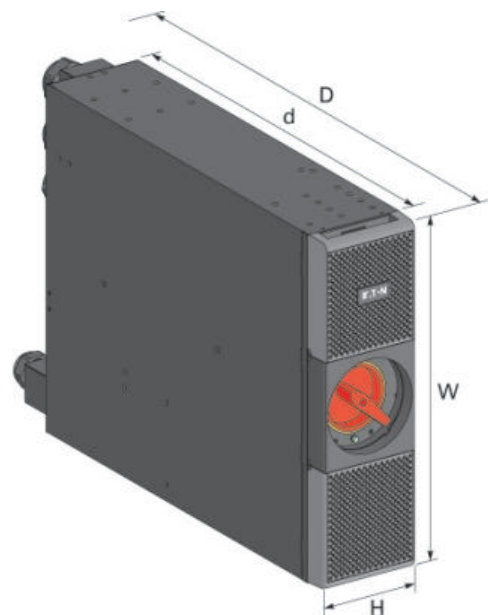
- easy and fast connection to UPS due to Input/Output and signal "all in one" patented connector (ModularEasy 5/6kVA range)
- **"make before break"** feature to allow full servicing (electrical power continuity) when switching from UPS position to Bypass (and vice versa)
- communication feature with UPS: detection of ModularEasy connection and switch position (Normal or Bypass)
- load connection by both terminal blocks and IEC outlets (16A C19).

2.1 Standard installation

Rack installation

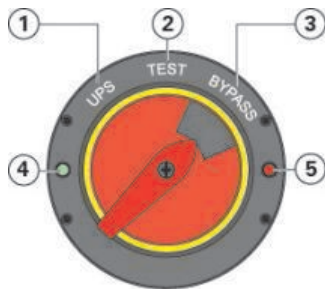


Tower installation



Description	Weight (lb/kg)	Overall Dimensions (inch/mm) D x W x H	Rack Dimensions (inch/mm) d x W x H
9PXMEZ6Ki	22.8 / 10.3	27 x 17 x 5 / 690 x 440 x 130	21.3 x 17 x 5 / 540 x 440 x 130
9PXMEZ11Ki	32.6 / 15	27 x 17 x 5 / 690 x 440 x 130	21.3 x 17 x 5 / 540 x 440 / 130

2.2 Description / Panels



The ModularEasy has a manual Bypass rotary switch with three positions:

- ① **UPS:** the load is supplied by the UPS.
- ② **Test:** the load is supplied directly by the AC power source, the two UPS are still supplied but their outputs are disconnected from the load.
- ③ **Bypass:** the load is supplied directly by the AC power source, the two UPS are disconnected from the AC power source.

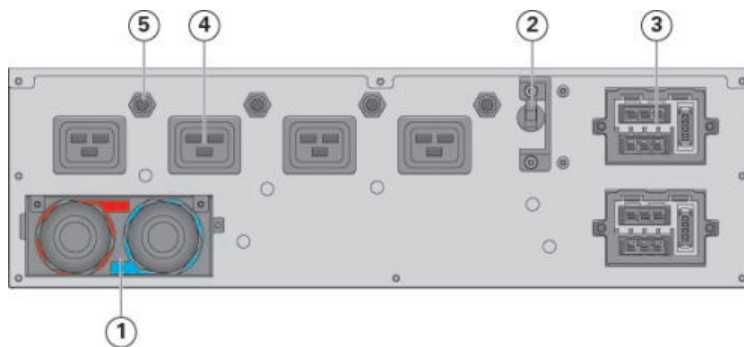
Lights indicate the ModularEasy power status:

- ④ **"UPS supply" green light** is active when at least one UPS output is available.
- ⑤ **"Bypass mode" red light** is active when the manual Bypass switch of the ModularEasy is on TEST or BYPASS position. **The load is not protected.**



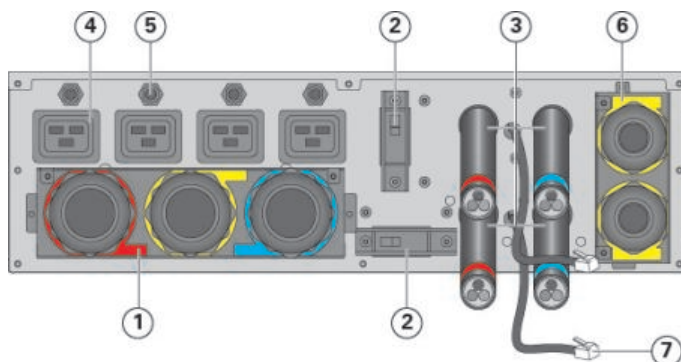
On 9PXMEZ11Ki, it is possible to Bypass the load on a separate Bypass AC source (see "4.3 9PXMEZ11Ki - with separate Normal and Bypass AC source", page 18 for more details).

9PXMEZ6Ki



- ① Input/Output terminal blocks
- ② UPS output switch
- ③ Input/Output cables for connection to UPS1 and UPS2
- ④ 16A outlets
- ⑤ Outlets circuit breaker
- ⑥ "Bypass" source input UPS1 and UPS2
- ⑦ Signal cable for 9PXMEZ detection to the UPS

9PXMEZ11Ki



UPS output switch ② allows to disconnect the output power of the UPS, for UPS maintenance / replacing. See "5. Operations", page 20.

ModularEasy status detection ⑦ :

A RJ11 signal cable allows to display the following statuses on the UPS display panel:

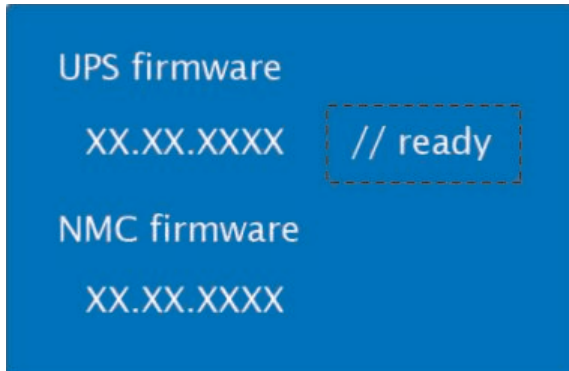
- ModularEasy connection to UPS
- Bypass switch position.

2. Presentation

2.3 Firmware upgrade



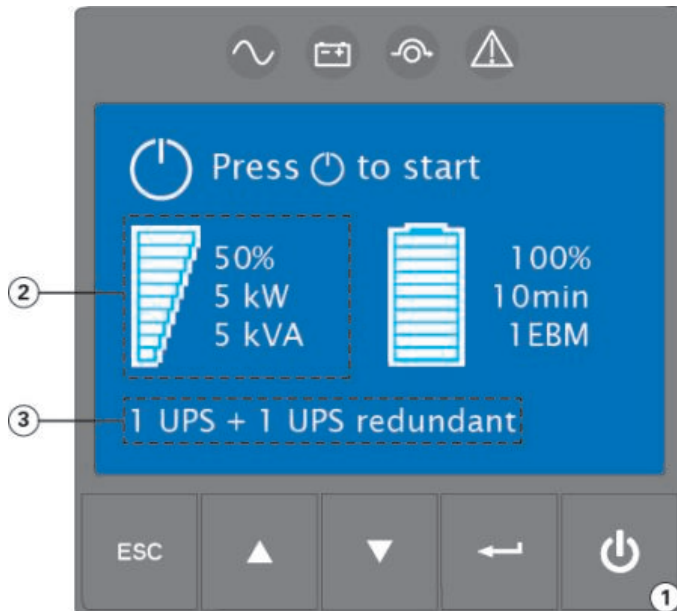
Check that UPS firmware version is parallel compatible:
Screen menu → Identification → UPS/NMC firmware.



If "**// Ready**" doesn't appear just next to the UPS firmware number, that means the UPS cannot be connected in parallel.

Contact your Eaton reseller to download the latest firmware.

2.4 Parallel UPS screen



- ① Press [power button] of any one of the two UPS to start the parallel system.
- ② The Power display is the UPS power and not the load power. The load power is the sum of UPS1 power display + UPS2 power display
- ③ "**1UPS + 1UPS redundant**" means the load power is less than the maximum power of one UPS.
"2UPS + 0UPS redundant" means the load power is more than the maximum power of one UPS.
"1UPS + 0UPS redundant" means only one UPS powers the load.

2.5 Parallel setting

Press the Enter (↵) button to activate the menu options.

Main menu	Submenu	Available settings	
Settings	In/Out settings	Redundancy mode	[Parallel Operation]
			[Redundancy Only]

[Parallel Operation]: set this mode to cancel the audible alarm when the load power is more than the maximum power of one UPS: "Parallel Operation" is the default mode.

[Redundancy Only]: set this mode to have an audible alarm when the load power is more than the maximum power of one UPS.

3.1 Inspecting the equipment

If any equipment has been damaged during shipment, keep the shipping cartons and packing materials for the carrier or place of purchase and file a claim for shipping damage. If you discover damage after acceptance, file a claim for concealed damage.

To file a claim for shipping damage or concealed damage:

1. File with the carrier within 15 days of receipt of the equipment;
2. Send a copy of the damage claim within 15 days to your service representative.

3.2 Unpacking the ModularEasy

Unpack the equipment and remove all the packing materials and shipping carton.

Discard or recycle the packaging in a responsible manner, or store it for future use.

Place the cabinet in a protected area that has adequate airflow and is free of humidity, flammable gas, and corrosion.

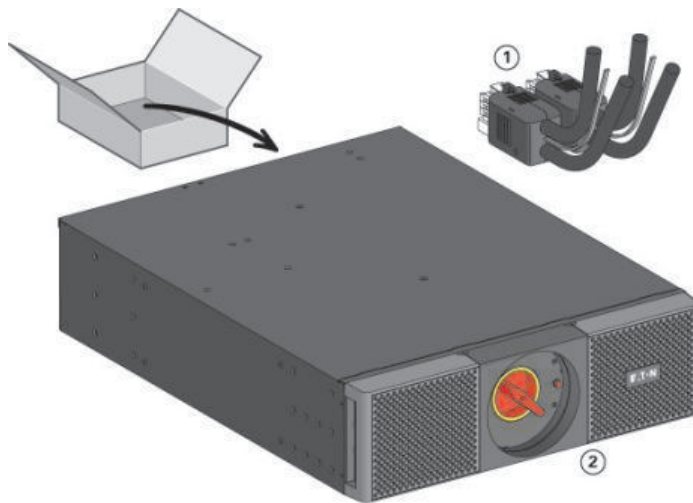


Packing materials must be disposed of in compliance with all local regulations concerning waste. Recycling symbols are printed on the packing materials to facilitate sorting.

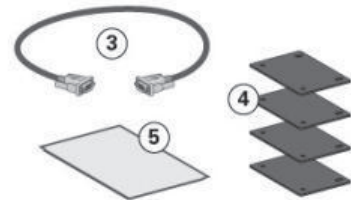
3.3 Checking the accessory kit

- Verify that the following additional items are included with the ModularEasy:

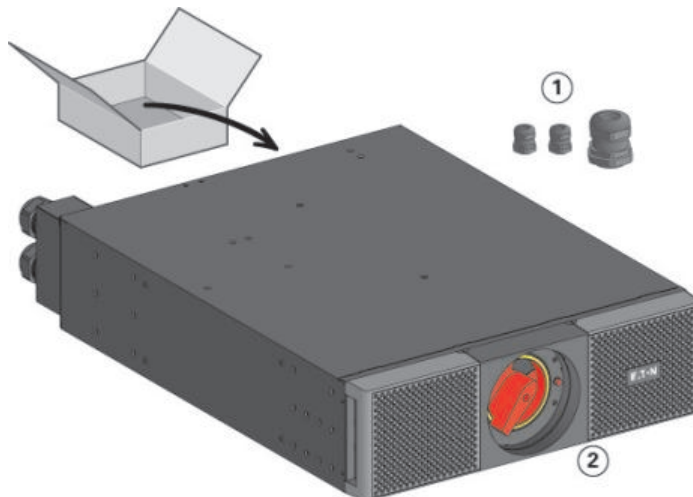
9PXMEZ6Ki



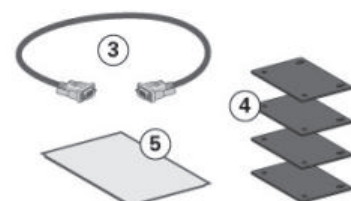
- ① Input/Output UPS cord Set
- ② ModularEasy chassis
- ③ 9PX Parallel cable PN: 744-A2675
- ④ Tower and Wall mounting kit (including 4 ears and screws)
- ⑤ Installation and User manual



9PXMEZ11Ki

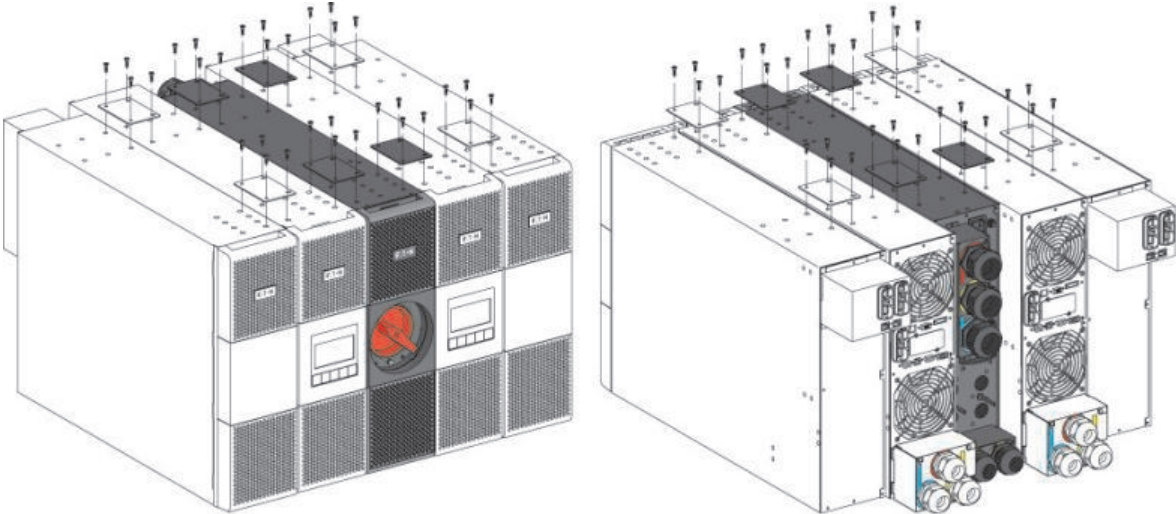


- ① Cable Gland
- ② ModularEasy chassis
- ③ 9PX Parallel cable PN: 744-A2675
- ④ Tower and Wall mounting kit (including 4 ears and screws)
- ⑤ Installation and User manual

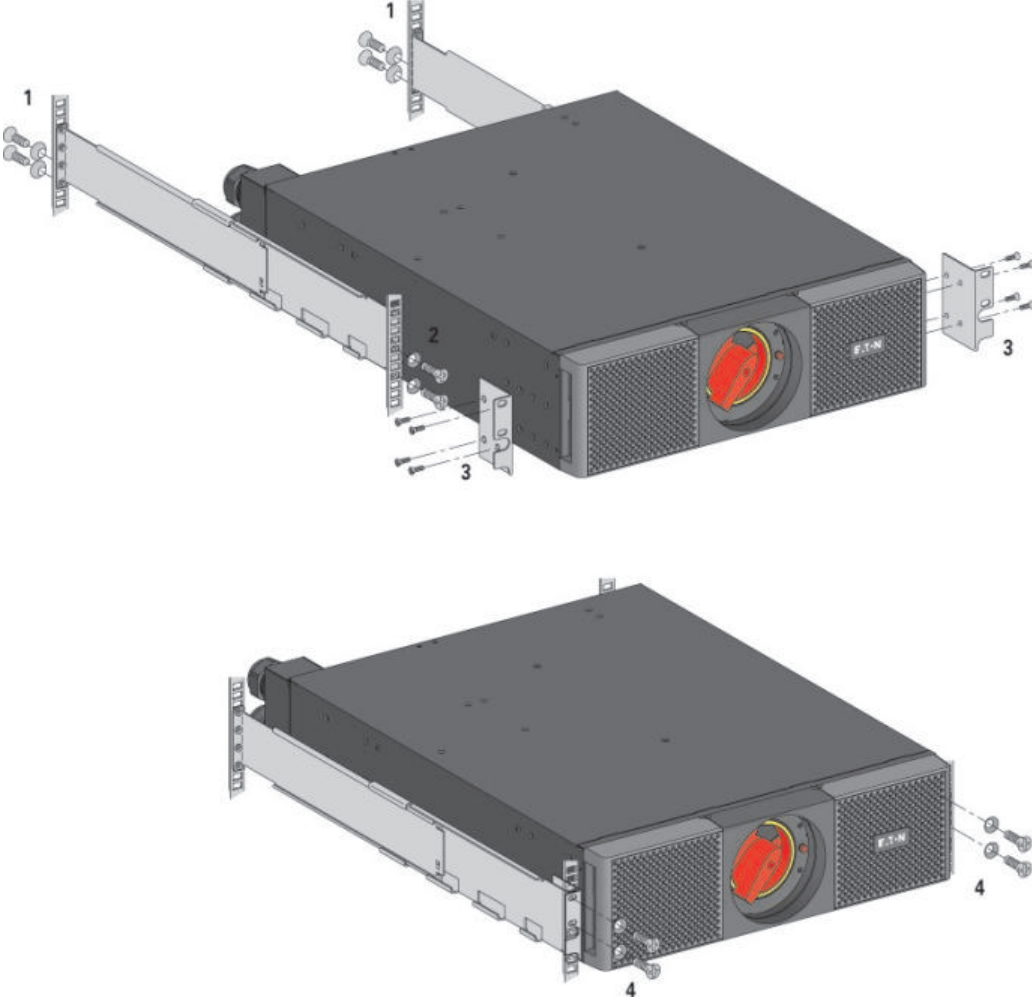


3. Installation

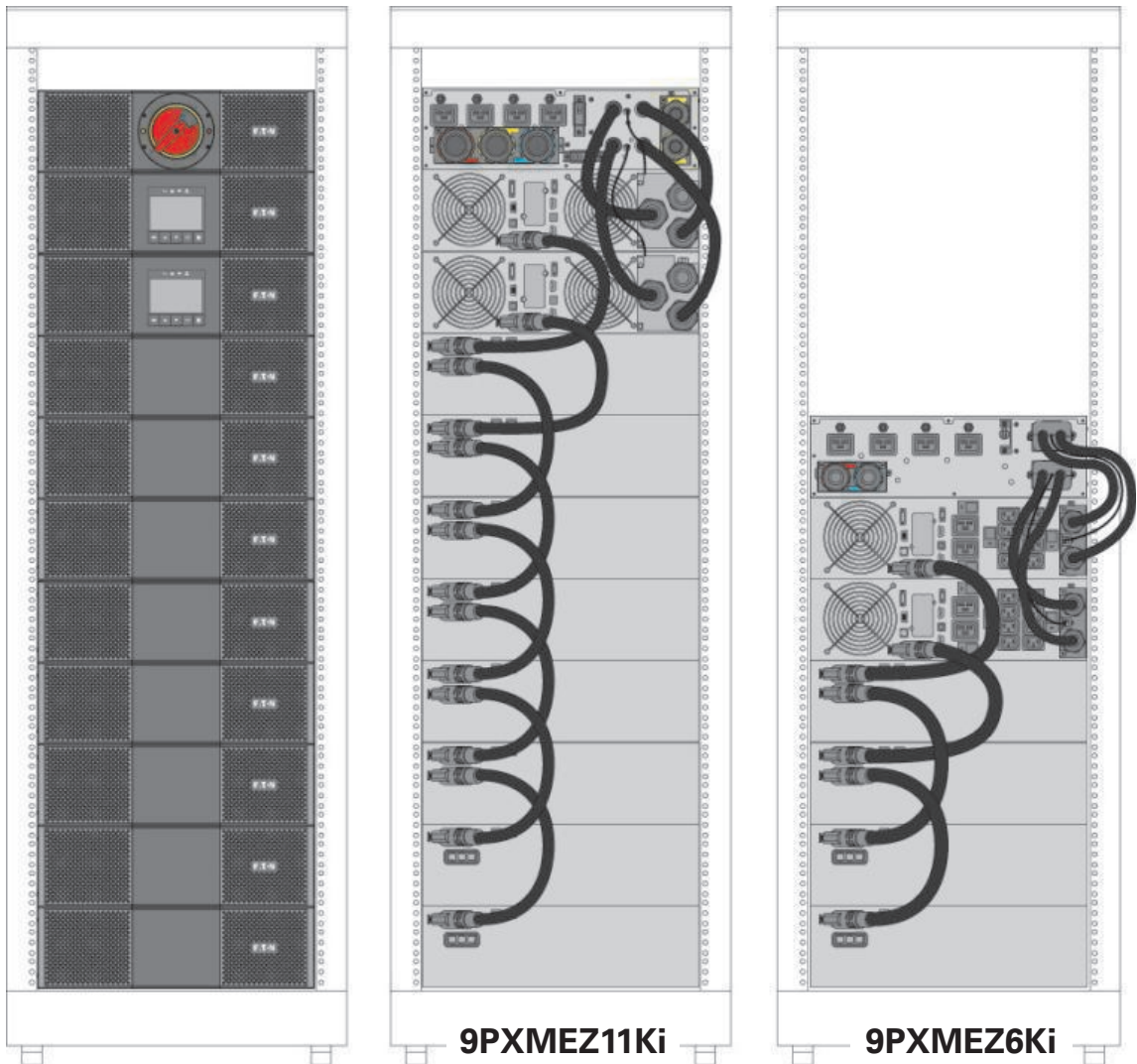
3.4 Tower installation



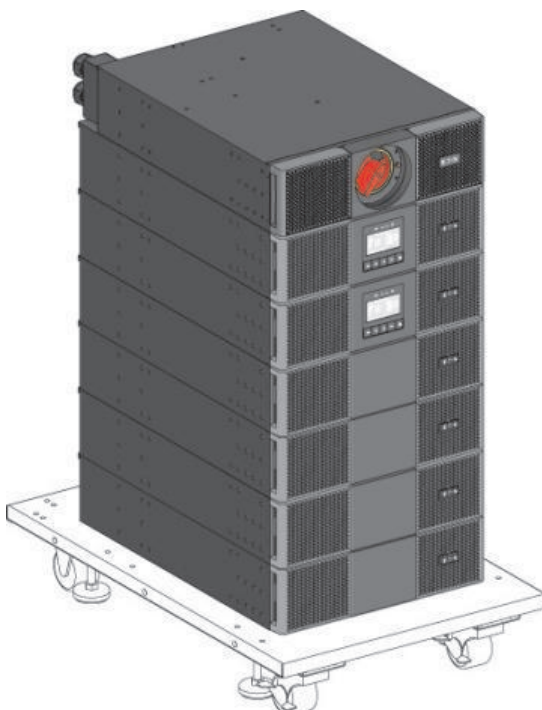
3.5 Rack installation with non-included optional Rail Kit: 9RK



3.6 Example of rack 19" setup with optional EBM 9PX EBM 240V



3.7 Example of battery integration system with non-included optional Trolley Frame: BINTSYS



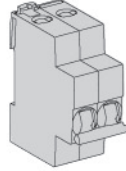
3. Installation

3.8 Installation requirements

Recommended protective devices and cable cross-sections

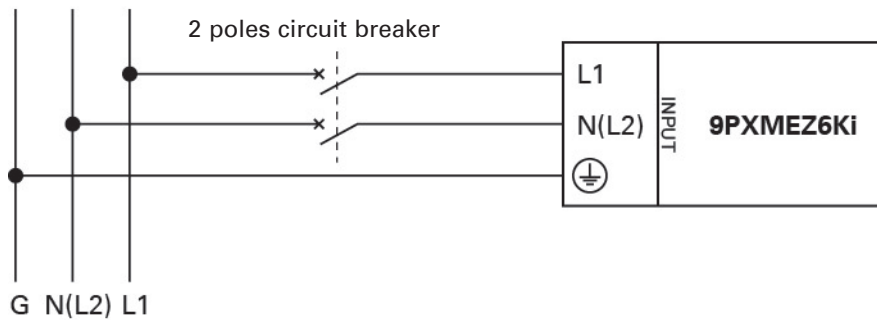
3.8.1 9PXMEZ6Ki use with 9PX6000 or 9PX5000 UPS

- Recommended protective devices



D curve, 63A for Parallel Operation

D curve, 32A for Redundancy Only

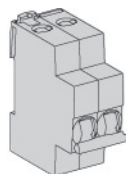


- Recommended cable cross-sections:

	Terminal position	Wire function	Terminal wire size rating	Minimum input wire size rating	Breaker D Curve
9PXMEZ6Ki Parallel Operation	L1	Phase	4-25 mm ² (12-4 AWG)	10 mm ² (8 AWG)	63A
	N (L2)	Neutral (Phase)			
	⊕	Ground			
9PXMEZ6Ki Redundancy Only	L1	Phase	4-25 mm ² (12-4 AWG)	6 mm ² (10 AWG)	32A
	N (L2)	Neutral (Phase)			
	⊕	Ground			

3.8.2 9PXMEZ11Ki use with 9PX8000 or 9PX11000 UPS

- Common input source recommended protective devices



For Parallel Operation

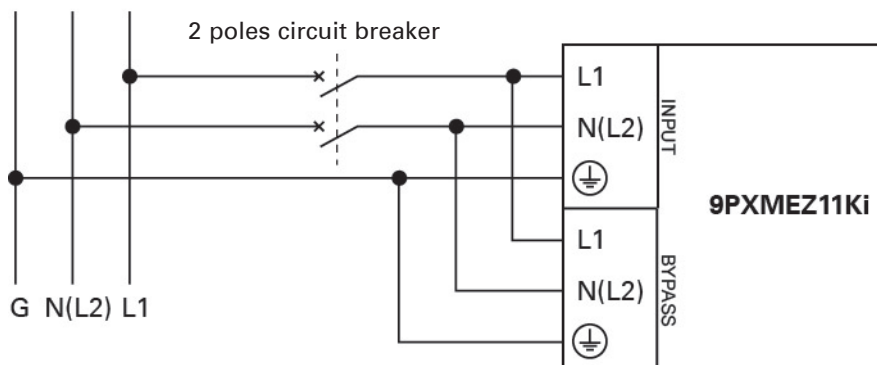
D curve, 125A if use with 9PX11000 UPS

D curve, 100A if use with 9PX8000 UPS

For Redundancy Only

D curve, 63A if use with 9PX11000 UPS

D curve, 50A if use with 9PX8000 UPS

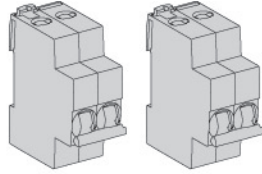


3.8 Installation requirements

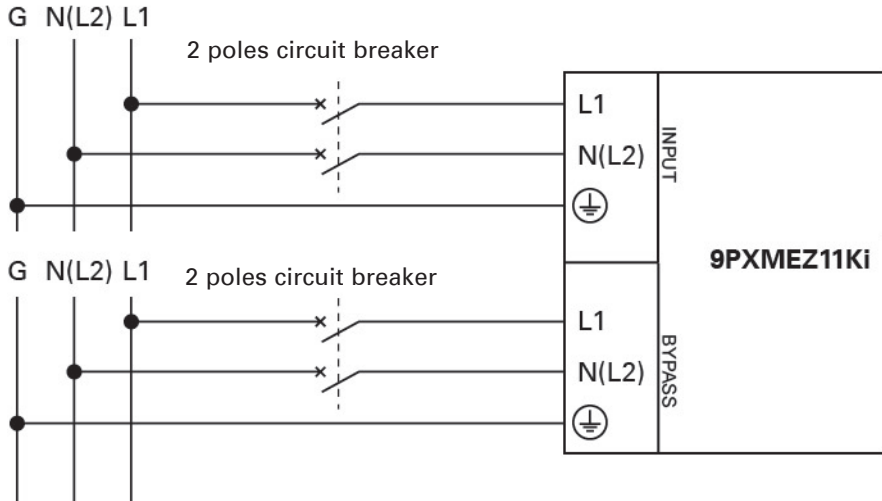
Recommended protective devices and cable cross-sections

3.8.3 9PXMEZ11Ki use with 9PX8000 or 9PX11000 UPS

- Separate input source recommended protective devices



For Parallel Operation
 D curve, 125A if use with 9PX11000 UPS
 D curve, 100A if use with 9PX8000 UPS
 For Redundancy Only
 D curve, 63A if use with 9PX11000 UPS
 D curve, 50A if use with 9PX8000 UPS



- Recommended cable cross-sections:

9PXMEZ11Ki	Normal AC source and Bypass AC source				
	Terminal position	Wire function	Terminal wire size rating	Minimum input wire size rating	Breaker D Curve
Parallel Operation with 9PX11000 UPS	L1	Phase	4-35 mm ² (12-4 AWG)	35 mm ² (1 AWG)	125A
	N (L2)	Neutral (Phase)			
	⊕	Ground			
Parallel Operation with 9PX8000 UPS	L1	Phase	4-35 mm ² (12-4 AWG)	25 mm ² (2 AWG)	100A
	N (L2)	Neutral (Phase)			
	⊕	Ground			
Redundancy Only with 9PX11000 UPS	L1	Phase	4-35 mm ² (12-4 AWG)	10 mm ² (8 AWG)	63A
	N (L2)	Neutral (Phase)			
	⊕	Ground			
Redundancy Only with 9PX8000 UPS	L1	Phase	4-35 mm ² (12-4 AWG)	10 mm ² (8 AWG)	50A
	N (L2)	Neutral (Phase)			
	⊕	Ground			

4. Power cables connection



This type of connection must be carried out by qualified electrical personnel.

Before carrying out any connection, check that the upstream protection device (Normal AC source) is open "O" (Off).

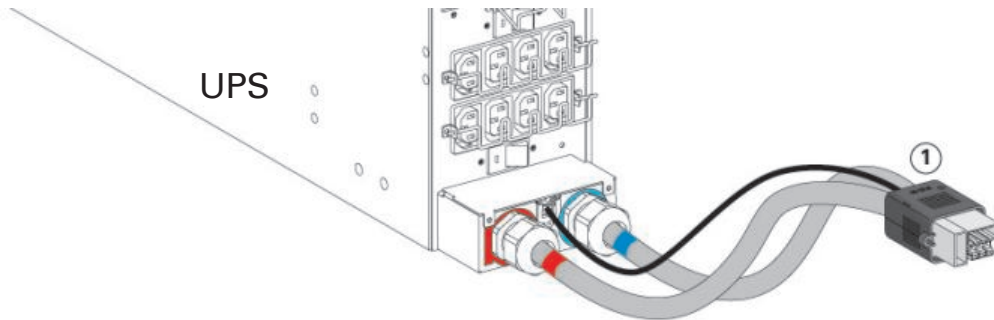


Before proceeding to connect the ModularEasy to the UPS, make sure the UPS has been properly shut down (refer to the UPS user manual).

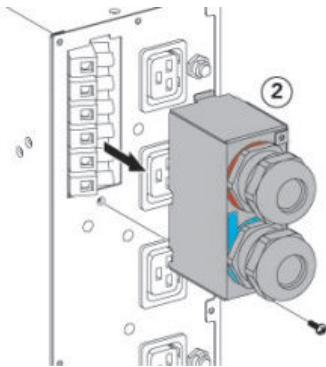
Always connect the ground wire first.

4.1 9PXMEZ6Ki

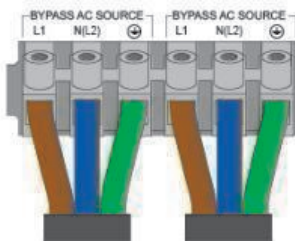
1. Connect the 2 power cables of I/O cord Set ① to the UPS I/O terminal blocks, following color coding on the cables and on the UPS I/O cover (blue for UPS Input / red for UPS Output) – refer to the UPS user manual to check the UPS terminal blocks connection
2. Connect the ModularEasy detection cable from the I/O cord Set ① to the specific UPS connector (MBP detect, refer to UPS User Manual "614-09200").



3. Slide the ModularEasy I/O cover ② after removing the screw, to access the ModularEasy terminal blocks



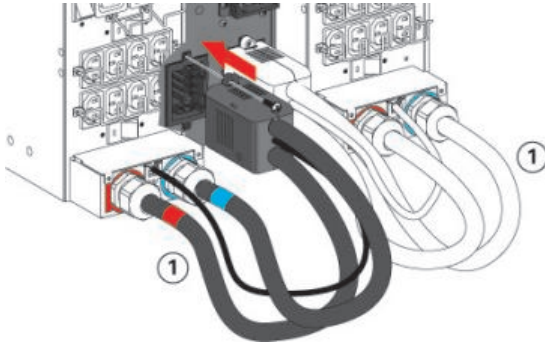
4. Insert the Normal AC source cable through the cable gland
5. Connect the wires to the Normal AC source (Input) terminal blocks
6. Insert the Output cable through the cable gland
7. Connect the wires to the Output terminal blocks



8. Tighten the cable glands
9. Slide back and secure the ModularEasy I/O cover ② with the screw

4. Power cables connection

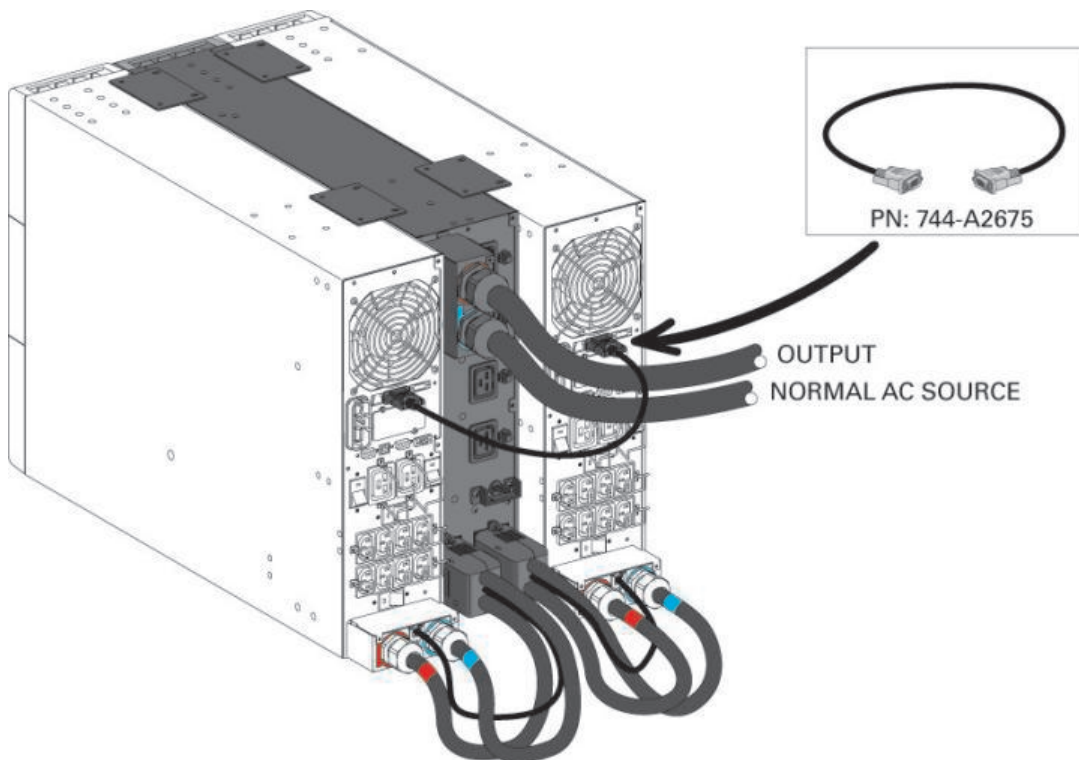
10. Connect the I/O cord Set ① connector to the ModularEasy, and secure it by fixing the two locking screws



11. Connect the two UPS together with the 9PX parallel cable and lock it.



Use of specific parallel cable is mandatory for first start up and optimal use.

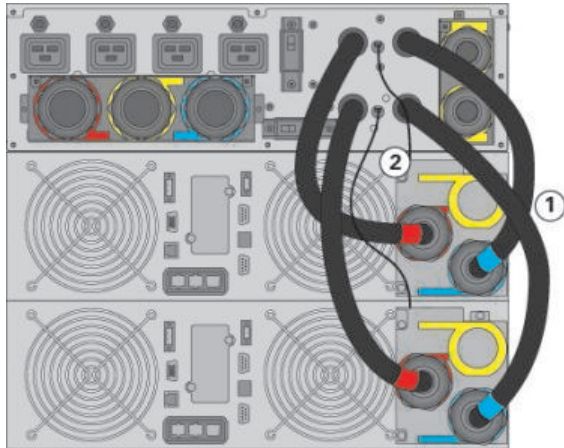


4. Power cables connection

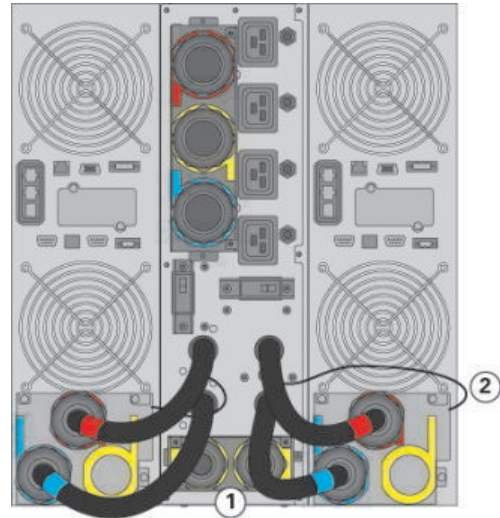
4.2 9PXMEZ11Ki - with **common** Normal and Bypass AC source

1. Connect the 4 integrated power cables ① to UPS1 and UPS2 I/O terminal blocks, following color coding on the cables and on UPS I/O cover (blue for UPS Input / red for UPS Output) – do not remove the UPS Input Bypass AC jumper inside the UPS I/O cover - refer to the UPS user manual to check the UPS terminal blocks connection.
2. Connect ModularEasy detection cables ② to the specific UPS connector (MBP detect, refer to the UPS User Manual "614-09260").

Rack installation

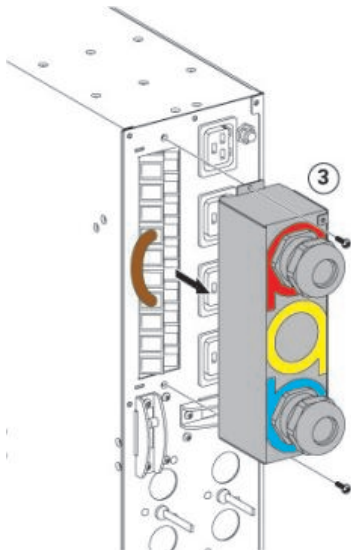


Tower installation



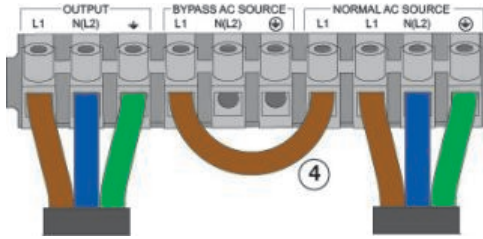
Do not increase or reduce the length of the integrated power cable.

3. Slide the ModularEasy I/O cover ③ after removing the 2 screws, to access the ModularEasy terminal blocks.



4. Power cables connection

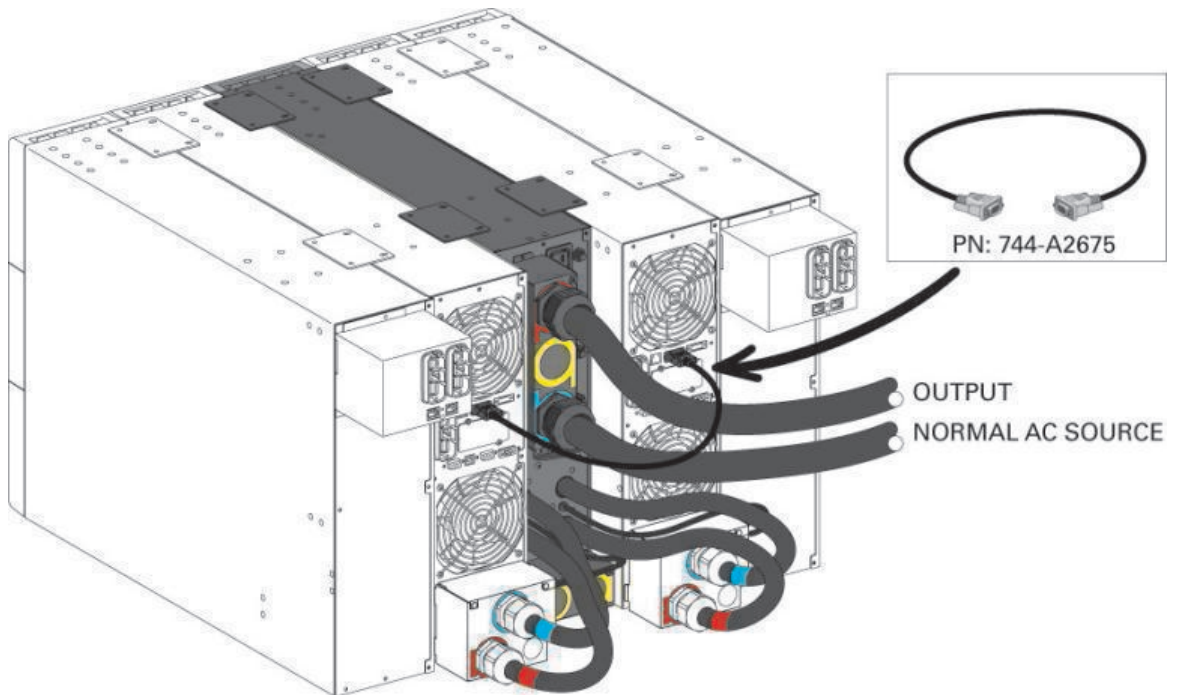
4. Insert the Normal AC source cable through the cable gland.
5. Connect the wires to the Normal AC source (Input) terminal blocks (do not remove the Input Bypass AC jumper ④ and the UPS Input Bypass jumper inside the UPS I/O cover refer to the UPS User Manual)
6. Insert the Output cable through the cable gland.
7. Connect the wires to the Output terminal blocks.



8. Tighten the cable glands.
9. Slide back and secure the ModularEasy I/O cover ③ with the 2 screws.
10. Check EBM connected to UPS.
11. Connect the two UPS together with the 9PX parallel cable and lock it.



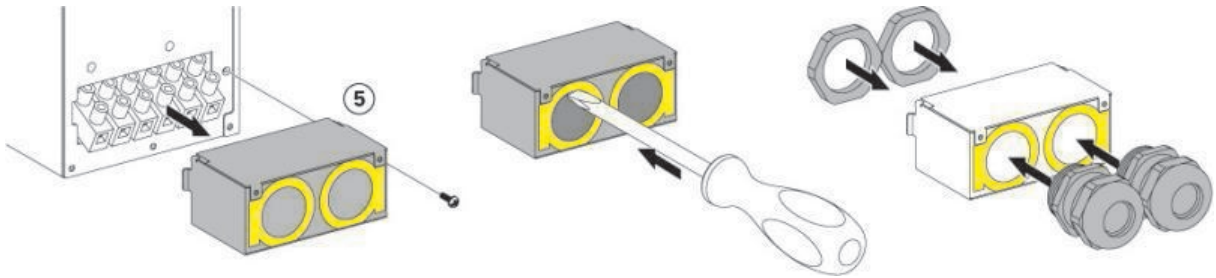
Use of specific parallel cable is mandatory for first start up and optimal use.



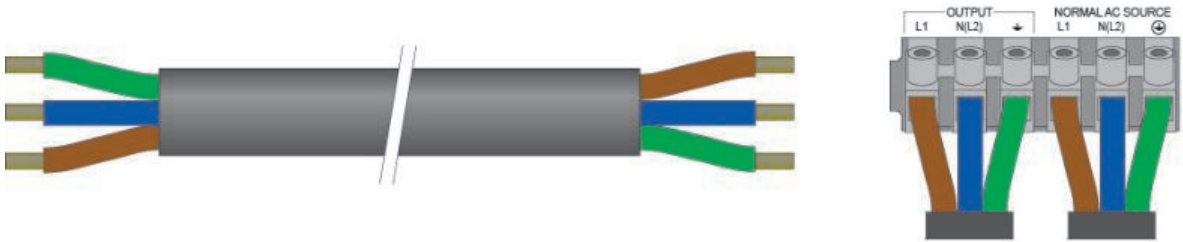
4. Power cables connection

4.3 9PXMEZ11Ki - with separate Normal and Bypass AC source

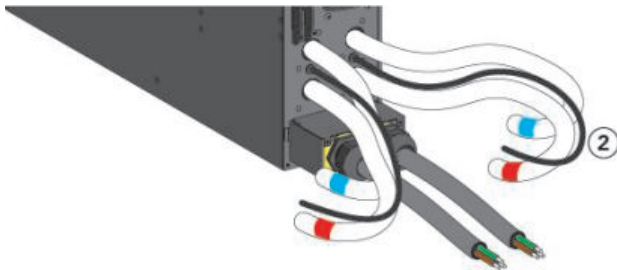
1. Slide the ModularEasy Bypass input cover ⑤ after removing the screw.
2. Punch the two Bypass Input knockouts of the ModularEasy Bypass Input cover ⑤ and insert the two small provided cable glands inside.



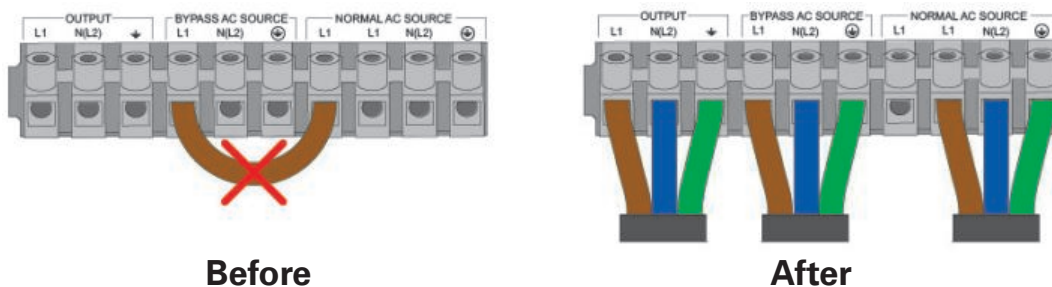
3. Insert a power cable through each cable glands of the ModularEasy Bypass Input cover ⑤. Cables are not provided in the packaging. It is recommended to use a cable with 3 conductors, 50 cm in length and with a minimum wire size rating : 10 mm² (8 AWG).



4. Connect the wires to the "Input BP" terminal blocks of the ModularEasy Bypass Input cover ⑤.
5. Tighten the cable gland.
6. Slide back and secure the ModularEasy Bypass Input cover ⑤ with the screw.

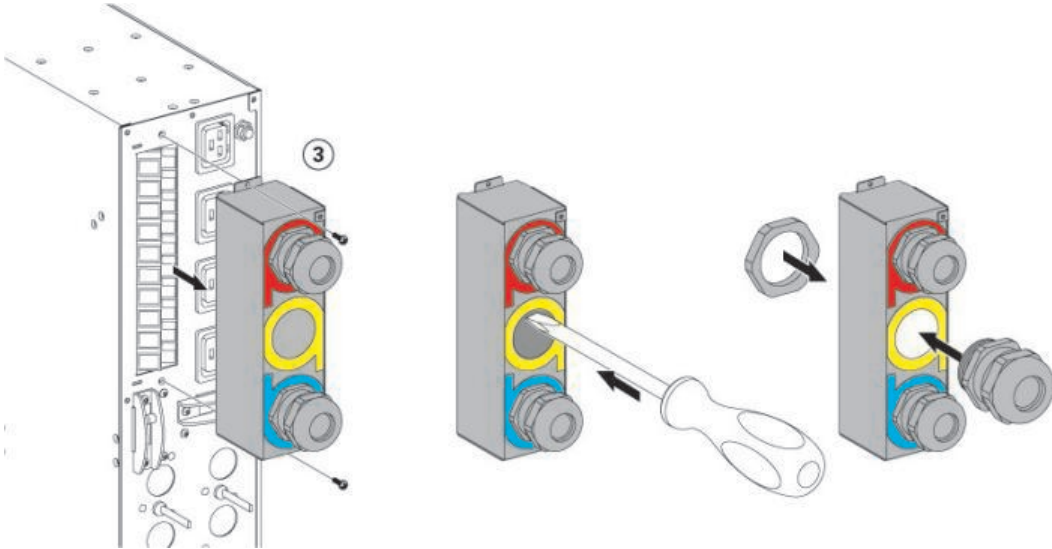


7. Connect the 4 integrated power cables and the 2 previously installed Bypass Input power cables to the UPS1 and UPS2 I/O terminal blocks.
Following color coding on the cables and the UPS I/O cover (blue for UPS Input / red for UPS Output / yellow for UPS Input Bypass) – refer to the UPS user manual to check the UPS terminal blocks connection. Do not forget to **remove the Input Bypass AC jumper on the UPS**.
8. Connect the ModularEasy detection cable ② to the specific UPS connector (refer to the UPS User Manual).
9. Slide the ModularEasy I/O cover ③ after removing the two screws, to access the ModularEasy terminal blocks.



4. Power cables connection

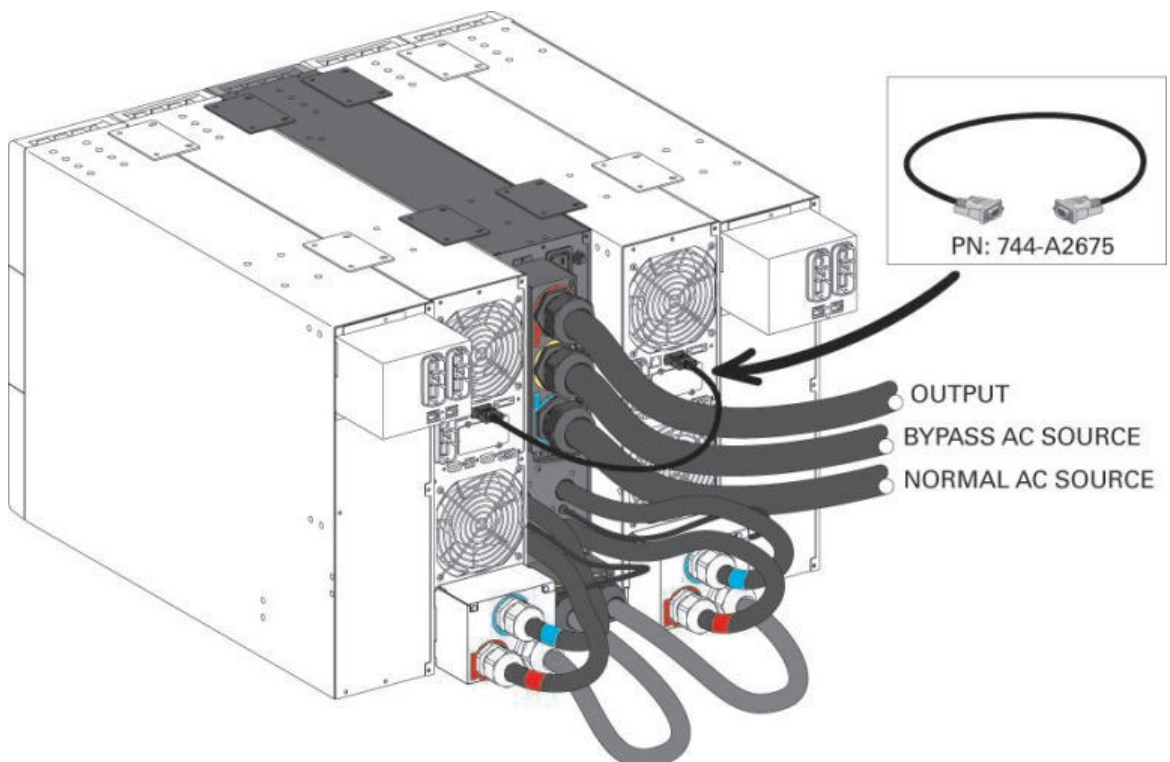
10. Remove the Input Bypass AC jumper ④.
11. Punch the Bypass AC Source knockout of the ModularEasy I/O cover ③ and insert the bigger provided cable gland inside.



12. Insert the Normal AC source cable through the cable gland.
13. Connect the wires to the Normal AC source (Input) terminal blocks.
14. Insert the Bypass AC source cable through the cable gland.
15. Connect the wires to the Bypass AC source (Input BP) terminal blocks.
16. Insert the Output cable through the cable gland.
17. Connect the wires to the Output terminal blocks.
18. Tighten the cable glands.
19. Slide back and secure the ModularEasy I/O cover ③ with the two screws.
20. Check EBM connected to UPS.
21. Connect the two UPS together with the 9PX parallel cable and lock it.



Use of specific parallel cable is mandatory for first start up and optimal use.



5. Operations

5.1 UPS parallel system start-up



In "Redundancy Only" mode, verify that the total equipment ratings do not exceed the capacity of one UPS to prevent an overload alarm.
In "Parallel Operation" mode, verify that the total equipment ratings do not exceed the capacity of two UPS to prevent an overload alarm.

1. Check the two UPS are correctly connected to the ModularEasy (see "4. Power cables connection", page 14).

If the UPS is equipped with outlets, those outlets can no longer be used (loads can only be connected to the ModularEasy outlets or the ModularEasy Output terminal blocks)



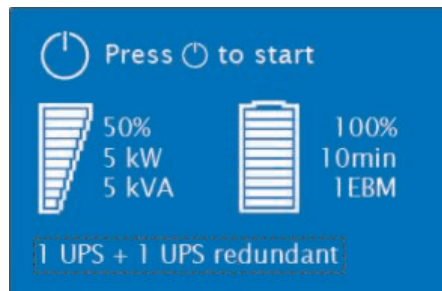
Check that two UPS are connected together with the 9PX parallel cable.



PN: 744-A2675



2. Check that the ModularEasy terminal blocks are connected to the AC source, and to the Bypass AC source (*)
3. Check that the ModularEasy manual Bypass switch is to the "UPS" position
4. Set the UPS output switch of the ModularEasy to the "I" position (On) for 9PXMEZ6Ki.
Set the two UPS output switches of the ModularEasy to the "I" position (On) for 9PXMEZ11Ki
5. Set the AC source upstream circuit breaker (not provided) to the "I" position (On) to switch on the utility power (see "3.4 Tower installation", page 10).
Set the Bypass source upstream circuit breaker (not provided) to the "I" position (On) to switch on the Bypass power (*).
6. Check that the two UPS are correctly powered (UPS display panel lighted)
7. Check the two UPS display "**1UPS + 1UPS redundant**". Do not continue to the next step if it is not displayed and check the two following features :



- a) The two UPS are connected together with the parallel cable, PN: 744-A2675
- b) The UPS firmware version is parallel compatible :
Screen menu → Identification → UPS/NMC firmware.
If "/// Ready" doesn't appear just next to the UPS firmware number, contact your Eaton reseller to download the latest firmware.

8. Choose the mode "**Redundancy Only**" or "**Parallel Operation**" by the Screen menu → Settings → In/Out settings → Redundancy mode.
 - "**Parallel Operation**" is the default mode. "Parallel Operation" cancels the audible alarm when the load power is more than the maximum power of one UPS.
 - "**Redundancy Only**" set an audible alarm when the load power is more than the maximum power of one UPS .
9. Press the "**ON**" button of any one of the two UPS to start the parallel system.

(*) **only in case of Bypass AC source option connected (9PXMEZ11Ki only).**

5.2 UPS maintenance with ModularEasy

UPS Maintenance:

1. Put the two UPS in "**internal Bypass mode**" (refer to the UPS user manual)
2. Check that the two UPS are on Bypass mode by checking the UPS display panel (refer to the UPS user manual)
3. Set the ModularEasy manual bypass switch to "Test" position. The "**Bypass**" **red light** of the ModularEasy goes On, indicating that the load is supplied directly by AC source, or optional Bypass AC source on 9PXMEZ11Ki
4. To test UPS in unitary, switch the UPS output switch of the ModularEasy to the "0" position (OFF)
To test the two UPS in parallel, let the UPS output switch of the ModularEasy to the "1" position (ON)
5. Proceed to maintenance operations on UPS (refer to the UPS User Manual).



Return to normal operation:

1. - **9PXMEZ6Ki**: check the "UPS output" switch of the ModularEasy is to the "I" position (On).
- **9PXMEZ11Ki**: check the two "UPS output" switches of the ModularEasy are to the "I" position (On).
2. Check that the UPS is on Bypass mode by checking the UPS display panel (refer to the UPS user manual)

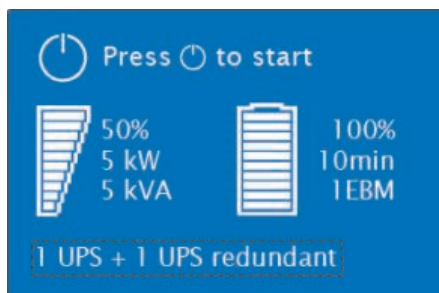


3. Check the **9PX parallel cable** are correctly connected and fixed.



PN: 744-A2675

4. Check the two UPS display "**1UPS + 1UPS redundant**". Do not continue to the next step if it is not displayed and check the two following features :



- a) The two UPS are connected together with the parallel cable, PN: 744-A2675
- b) The UPS firmware version is parallel compatible :
Screen menu → Identification → UPS/NMC firmware.
If "**// Ready**" doesn't appear just next to the UPS firmware number, contact your Eaton reseller to download the latest firmware.

5. Check that the "**UPS mode**" **green light** of the ModularEasy is on, indicating that the UPS output power is available on the ModularEasy



Important: do not continue to next step if the "**UPS mode**" **green light** of the ModularEasy is off (the load will be lost).

6. Set the ModularEasy manual Bypass switch to the "**UPS**" position: the "**Bypass mode**" **red light** of the ModularEasy goes off, indicating that the load is now powered by the UPS
7. Put the UPS in "**Online**" mode (refer to the UPS User Manual)
8. Check that the UPS is in Online mode by checking the UPS display panel (refer to the UPS user manual).


The load is now protected by the UPS.

5. Operations

5.3 UPS replacement with ModularEasy

5.3.1 Faulty UPS Removing:



1. Put the UPS in "**internal Bypass mode**" (refer to the UPS user manual)
2. Check that the UPS is on Bypass mode by checking the UPS display panel (refer to the UPS user manual)
3. Set the ModularEasy manual Bypass switch to "**Bypass**" position.
The "**Bypass mode**" **red light** of the ModularEasy goes on, indicating that the load is supplied directly by AC source, or by optional Bypass AC source on 9PXMEZ11Ki only
4. Wait until the UPS turns off in around 30 seconds
5. Check that the UPS display is off. If the display is still lighted, check the UPS "Sleep mode" by referring to the UPS user manual. Do not continue to the next step if display is still lighted
6. Set the UPS output switch of the ModularEasy to the "0" position (OFF) for 9PXMEZ6Ki or, set the two UPS output switches of the ModularEasy to the "0" position (OFF) for 9PXMEZ11Ki
7. Disconnect all internal (*) and external batteries of the faulty UPS.
(*) only for UPS 9PX5000 and 9PX6000.
8. Check if all of the power supply is really disconnected by pressing the ON/OFF button  of the faulty UPS for 5 seconds.
The UPS must stay off.
9. Check that the UPS display is still off.

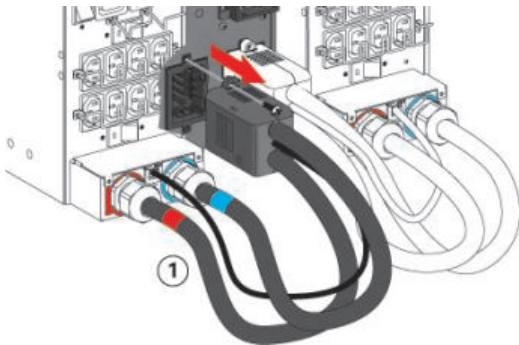


Important: Do not continue to the next step if display is lighted.

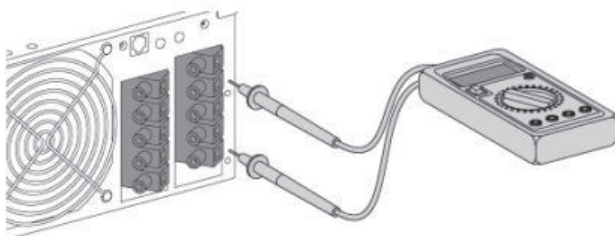
Now UPS can be disconnected, as described below:

5.3.2 9PXMEZ6Ki

- First disconnect the I/O cord Set ① of the faulty UPS from the ModularEasy, after removing the two screws



- After opening the UPS I/O terminal blocks cover of the faulty UPS, check if hazardous voltage is no longer present on UPS terminal blocks by using an electrical safety tester



- Disconnect the I/O cord Set ① and connect it to a new UPS
- Reconnect the I/O cord Set ① from the new UPS to the ModularEasy

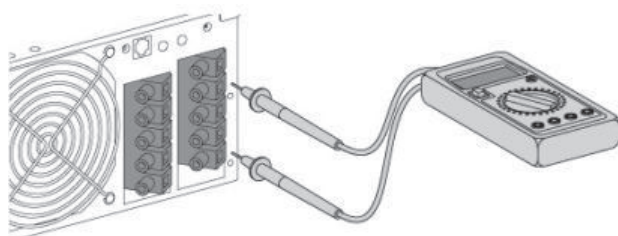


Hazardous voltage and lost load risk: do not manipulate the ModularEasy manual Bypass switch unless the I/O cord Set ① is connected to UPS terminal blocks.

5.3 UPS replacement with ModularEasy

5.3.3 9PXMEZ11Ki

- After opening the UPS I/O terminal blocks cover of the faulty UPS, check if hazardous voltage is no longer present on UPS terminal blocks by using an electrical safety tester



- Disconnect the ModularEasy power cables, and the ModularEasy detection cable of the faulty UPS
- Reconnect immediately the ModularEasy power cables, and the ModularEasy detection cable to a new UPS. If it is not possible to reconnect the ModularEasy power cables immediately, link their 3 wires together (line and neutral wires connected to ground wire) to prevent an electrical shock and reconnect them to a new UPS later.



Hazardous voltage and lost load risk: do not manipulate the ModularEasy manual bypass switch unless the ModularEasy power cables are connected to UPS terminal blocks.

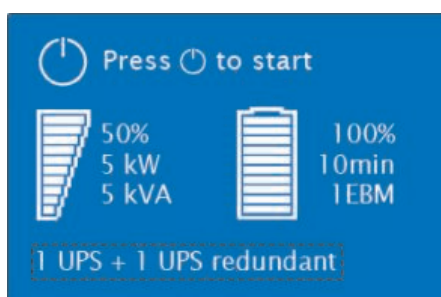


5.3.4 Return to normal operation:

- Check that the new UPS is correctly connected to the ModularEasy, see 4.1, 4.2, 4.3
- For 9PXMEZ6Ki, check the "UPS output" switch of the ModularEasy is to the "I" position (On).
For 9PXMEZ11Ki, check the two "UPS output" switches of the ModularEasy are to the "I" position (On)
- Check the 9PX parallel cable is correctly connected and fixed (PN: 744-A2675).
- Set the ModularEasy manual bypass switch to **"Test"** position.
- Verify that the UPS is correctly powered (UPS display panel is lighted)
- Check the two UPS display **"1UPS +1 UPS redundant"**.



PN: 744-A2675



Do not continue to the next step if it is not displayed and check the two following features :

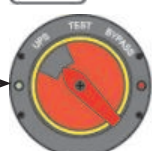
- The two UPS are connected together with the parallel cable, PN: 744-A2675
 - The UPS firmware version is parallel compatible :
Screen menu → Identification → UPS/NMC firmware.
If **"// Ready"** doesn't appear just next to the UPS firmware number, contact your Eaton reseller to download the latest firmware.
- Press the **"ON"** button of any one of the 2 UPS to start the parallel system.
 - Put the UPS in **"internal Bypass mode"** (refer to the UPS User Manual)
 - Verify that the UPS is on Bypass mode by checking UPS display panel (refer to the UPS user manual)
 - Verify that the **"UPS mode" green light** of the ModularEasy goes On, indicating that the UPS output power is available on the ModularEasy



Important: do not continue to next step if the **"UPS mode" green light** of the ModularEasy is still Off (the load will be lost).

- Set the ModularEasy manual Bypass switch to the **"UPS"** position. The **"Bypass mode" red light** of the ModularEasy turns Off, indicating that the load is now powered by the UPS
- Put the UPS in **"Online mode"** (refer to the UPS User Manual)
- Check that the UPS is in Online mode by checking the UPS display panel (refer to the UPS user manual)

The load is now protected by the UPS.



6. Troubleshooting

Condition	Possible cause	Action
One UPS displays: Load unbalance	One of the "UPS output" switches is off on the back of the ModularEasy	Switch on the "UPS output" switch on the ModularEasy
Firmware download is not possible	One of the two UPS is in Online or Battery mode	Select Standby or Bypass mode

7. Specifications

	9PXMEZ6Ki	9PXMEZ11Ki
Input Bypass		
	N/A	Terminal blocks
Output		
	4 IEC 16A + Terminal blocks	4 IEC 16A + Terminal blocks
Overall dimensions D x W x H (inch / mm)		
	27 x 17 x 5 / 690 x 440 x 130	
Weight (lb / kg)		
	22.8 / 10.3	32.6 / 15
Performance		
Nominal voltage	200 - 240 V ~	200 - 250 V ~
Frequency	50/60 Hz	
Input nominal current	60A	100A
Maximal power	12000 VA	22000 VA
Standards		
Safety	IEC/EN 62040-1 / Ed.1: 2008	
EMC	IEC/EN 62040-2 / Ed.2: 2006	
Performance	IEC/EN 62040-3 / Ed.2.0: 2011	
ESD	IEC 61000-4-2 : level 3.	
Radiated field	IEC 61000-4-3 : level 3.	
EFT	IEC 61000-4-4 : level 4.	
Fast transients	IEC 61000-4-5 : level 4.	
Electromagnetic field	IEC 61000-4-6 : level 3.	
Conducted magnetic field	IEC 61000-4-8 : level 4.	
Marking		
	CE	
Environment		
Operating temperature	0 to 40°C (32 to 104°F)	
Storage temperature	-15 to 60°C (5 to 140°F)	
Transit temperature	-25 to 55°C (-13 to 130°F)	
Humidity	0 to 95% no condensing	
Operation Altitude	Up to 3,000 meters (9,843 ft) above sea level with 10% derating per 1000m	
Transit Altitude	Up to 10,000 meters (32,808 ft) above sea level	



ModularEasy

**9PXMEZ6Ki
9PXMEZ11Ki**

**Manuel d'installation
et d'utilisation**

Copyright © 2014 **EATON**
Tous droits réservés.

SAV et assistance :
Contacter votre représentant SAV local

614-09354-01_FR

INSTRUCTIONS DE SÉCURITÉ

ENREGISTREZ CES INSTRUCTIONS. Ce manuel contient des instructions importantes qui doivent être suivies pendant l'installation et la maintenance du ModularEasy et de l'ASI.

Les modèles de ModularEasy faisant l'objet de ce manuel sont conçus pour être installés dans un environnement compris entre 0 et 40 °C exempt de contaminants conducteurs.

Ces limites sont conçues pour fournir une protection raisonnable contre des perturbations nuisibles lorsque l'équipement est utilisé dans un environnement commercial. Cet équipement génère, utilise et peut transmettre par rayonnement une énergie de radiofréquence et, s'il n'est pas installé et utilisé conformément aux instructions du manuel, il peut perturber négativement les communications radio. L'utilisation de cet équipement dans une zone résidentielle entraîne un risque important de perturbations nuisibles, que l'utilisateur sera tenu de corriger à ses propres frais.

Normes de certification (applicables aux ASI)

- Sécurité : IEC/EN 62040-1 / Ed.1: 2008.
- CEM : IEC/EN 62040-2 / Ed.2: 2006.
- Performances : IEC/EN 62040-3 / Ed.2.0: 2011.
- IEC 61000-4-2 (DES) : niveau 3.
- IEC 61000-4-3 (Immunité aux champs rayonnés) : niveau 3.
- IEC 61000-4-4 (Transitoires électriques rapides) : niveau 4.
- IEC 61000-4-5 (Transitoires rapides) : niveau 4.
- IEC 61000-4-6 (Champ électromagnétique) : niveau 3.
- IEC 61000-4-8 (Champs magnétiques conduits) : niveau 4.

Symboles spéciaux

Les symboles représentés ci-après sont utilisés sur le ModularEasy pour souligner des informations importantes :



RISQUE DE CHOC ÉLECTRIQUE - Respectez la mise en garde associée au symbole de risque de choc électrique.



Instructions importantes qui doivent toujours être suivies.



Ce symbole indique que vous ne devez pas jeter de déchets d'équipements électriques et électroniques (DEEE) à la poubelle. Pour une mise au rebut appropriée, contactez votre organe local de recyclage/ réutilisation ou de récupération des déchets dangereux.



Information, conseil, aide.

Sécurité des personnes

- Le système dispose de sa propre source d'alimentation lorsqu'il est branché sur l'ASI (batterie de l'ASI). Par conséquent, ses prises de courant peuvent être alimentées même lorsque le système n'est pas branché sur une source de courant secteur. Des tensions dangereuses sont présentes à l'intérieur du système.
Ce dernier ne doit être ouvert que par du personnel SAV qualifié.
- Le produit doit être correctement relié à la terre et le fil de terre doit toujours être branché en premier

Sécurité du produit

- Les instructions de connexion et d'utilisation du ModularEasy indiquées dans le manuel doivent être suivies dans l'ordre indiqué. Pour les circuits d'entrée/sortie en courant alternatif, les dispositifs de déconnexion et de protection contre les surintensités doivent être fournis par des tiers.
- **ATTENTION** - Pour réduire le risque d'incendie, l'unité se branche uniquement sur un circuit doté d'une protection contre les surintensités pour circuit de dérivation (pour le courant nominal, voir le Manuel d'utilisation de l'ASI).
Le disjoncteur en amont doit être facilement accessible.
L'unité peut être débranchée du secteur par ouverture du disjoncteur et, si elle est encore branchée sur l'ASI, par un arrêt préalable de cette dernière (voir Manuel d'utilisation de l'ASI)
- Vérifiez que les indications de la plaque signalétique correspondent à votre système alimenté par le secteur et à consommation électrique réelle de tout l'équipement branché sur le système.
- Pour les ÉQUIPEMENTS ENFICHABLES, la prise de courant doit être installée à proximité de l'équipement et doit être facilement accessible
- N'installez jamais le système à proximité de liquides ou dans un environnement excessivement humide.
- Ne laissez jamais de corps étrangers pénétrer à l'intérieur du système.
- N'exposez jamais le système à un ensoleillement direct ou à une source de chaleur.
- Si le système doit être stocké avant l'installation, l'emplacement de stockage doit être sec.
- La plage de température admissible de stockage est comprise entre -15 °C et +60 °C.

Précautions particulières

- Le ModularEasy est conçu pour fonctionner avec des ASI EATON approuvées (contactez votre revendeur Eaton pour plus d'informations).
- Toute réparation et tout SAV doivent être effectués **UNIQUEMENT PAR DU PERSONNEL SAV AGRÉÉ**.
- Le ModularEasy ne contient **AUCUNE PIÈCE RÉPARABLE PAR L'UTILISATEUR**.

Table des matières

1. Introduction	5
1.1 Protection de l'environnement	5
2. Présentation	6
2.1 Installation standard	6
2.2 Description / Panneaux	7
2.3 Mise à niveau du logiciel embarqué	8
2.4 Écran des ASI en parallèle	8
2.5 Réglage du fonctionnement en parallèle	8
3. Installation	9
3.1 Inspection de l'équipement	9
3.2 Déballage du ModularEasy	9
3.3 Vérification du kit d'accessoires	9
3.4 Position tour	10
3.5 Position rack avec le kit de rails non inclus : 9RK	10
3.6 Exemple de configuration en 19 pouces avec EBM 9PX EBM 240V en option	11
3.7 Exemple de système intégrant la batterie avec le châssis Trollet Frame en option non inclus BINTSYS	11
3.8 Conditions requises pour l'installation	12
4. Branchement des câbles d'alimentation	14
4.1 9PXMEZ6Ki	14
4.2 9PXMEZ11Ki - avec Normal AC source et Bypass AC source communes	16
4.3 9PXMEZ11Ki - avec Normal AC source et Bypass AC source séparées	18
5. Utilisation	20
5.1 Démarrage du système parallèle d'ASI	20
5.2 Entretien de l'onduleur avec ModularEasy	21
5.3 Remplacement d'une ASI avec ModularEasy	22
6. Dépannage	24
7. Spécifications	24

1. Introduction

Merci d'avoir choisi un produit EATON pour protéger votre équipement électrique.

La gamme ModularEasy a été conçue avec le plus grand soin.

Nous vous recommandons de prendre le temps de lire ce manuel afin de bénéficier pleinement des nombreuses fonctions de votre ModularEasy.

Avant d'installer votre ModularEasy avec votre ASI, commencez par lire les instructions de sécurité. Suivez ensuite les indications du manuel, qui complètent le Manuel d'installation et d'utilisation de l'ASI.

Pour découvrir toute la gamme des produits EATON, nous vous invitons à consulter notre site Web, www.eaton.com/powerquality, ou à contacter votre représentant EATON.

1.1 Protection de l'environnement

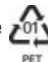
EATON a mis en place une politique de protection de l'environnement. Les produits sont développés dans une approche d'écoconception.


Matériaux utilisés

Ce produit ne contient ni CFC, ni HCFC ni amiante.

Emballage

Pour améliorer le traitement des déchets et faciliter le recyclage, séparez les différents composants de l'emballage.

- Le carton que nous utilisons est recyclé à plus de 50 %.
- Les sacs et sachets sont en polyéthylène.
- Les matériaux d'emballage sont recyclables et portent le symbole d'identification approprié 

Matériaux	Abréviations	Numéro à l'intérieur du symbole 
Téréphtalate de polyéthylène	PET	01
Polyéthylène haute densité	HDPE	02
Chlorure de polyvinyle	PVC	03
Polyéthylène basse densité	LDPE	04
Polypropylène	PP	05
Polystyrène	PS	06

Respectez toutes les réglementations locales dans la mise au rebut des matériaux d'emballage.

Fin de vie



EATON traitera les produits au terme de leur vie utile conformément aux réglementations locales. EATON collabore avec les sociétés chargées de la collecte et de l'élimination de ses produits au terme de leur vie utile.

Produit



Le produit est composé de matériaux recyclables. Son démantèlement et sa destruction doivent être effectués conformément aux réglementations locales relatives aux déchets. À la fin de sa vie utile, le produit doit être transporté vers un centre de traitement des déchets électriques et électroniques.

2. Présentation

Le ModularEasy d'Eaton® est un élément essentiel de votre système parallèle. Il permet de connecter ensemble 2 ASI, mais également d'intervenir sur les ASI ou même de les remplacer sans affecter les charges connectées.

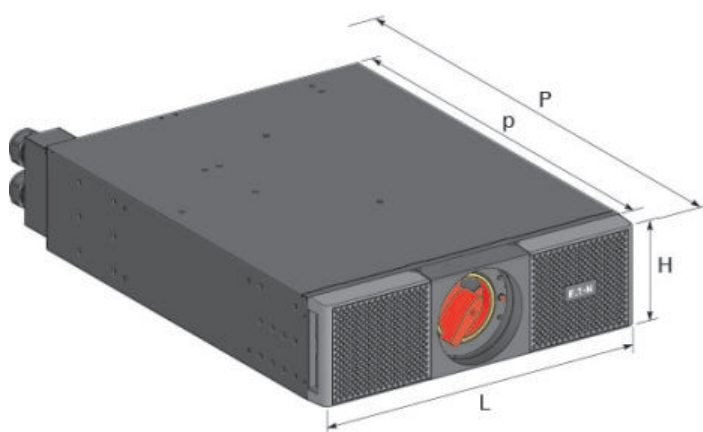
Les inconvénients liés à la maintenance des ASI peuvent ainsi être éliminés et l'intégrité de votre équipement conservée.

Avec son exceptionnelle fiabilité, le module Eaton ModularEasy apporte des avantages uniques :

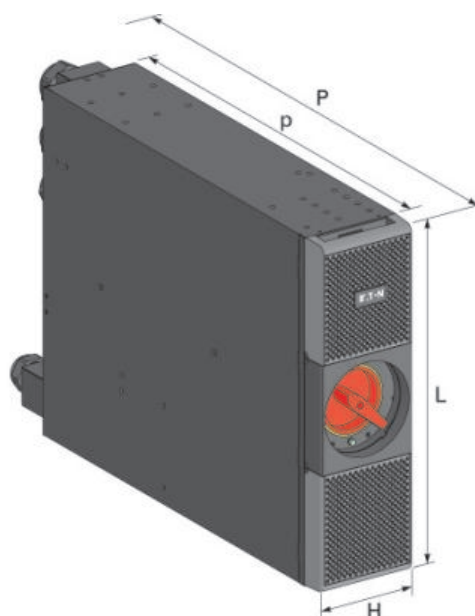
- branchement facile et rapide sur l'ASI grâce à un connecteur breveté " tout-en-un " Input/Output et signal (ModularEasy 5/6 kVA)
- fonction de "**commutation avec chevauchement**" permettant une maintenance complète (continuité de l'alimentation électrique) lors du passage de la position ASI à la position bypass (et vice versa)
- fonction de communication avec l'ASI : détection de la connexion ModularEasy et de la position du commutateur (Normale ou Bypass)
- connexion de la charge à la fois par les bornes et par les prises CEI (16A C19).

2.1 Installation standard

Position rack

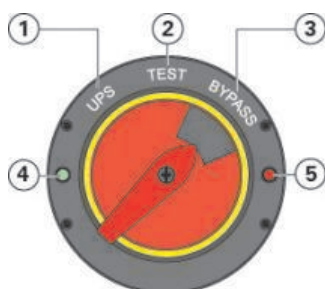


Position tour



Description	Poids (kg/lb)	Dimensions générales (mm/pouces) P x L x H	Dimensions du rack (mm/pouces) p x L x H
9PXMEZ6Ki	22,8 / 10,3	690 x 440 x 130 / 27 x 17 x 5	540 x 440 x 130 / 21,3 x 17 x 5
9PXMEZ11Ki	32,6 / 15	690 x 440 x 130 / 27 x 17 x 5	540 x 440 x 130 / 21,3 x 17 x 5

2.2 Description / Panneaux



Le ModularEasy est doté d'un commutateur rotatif manuel à trois positions :

- ① **UPS** : la charge est alimentée par l'ASI.
- ② **Test** : la charge est alimentée directement par la source d'alimentation AC, **les deux** ASI sont toujours alimentées mais leurs sorties sont déconnectées de la charge.
- ③ **Bypass** : la charge est alimentée directement par la source d'alimentation AC, **les deux** ASI sont déconnectées de la source d'alimentation AC.

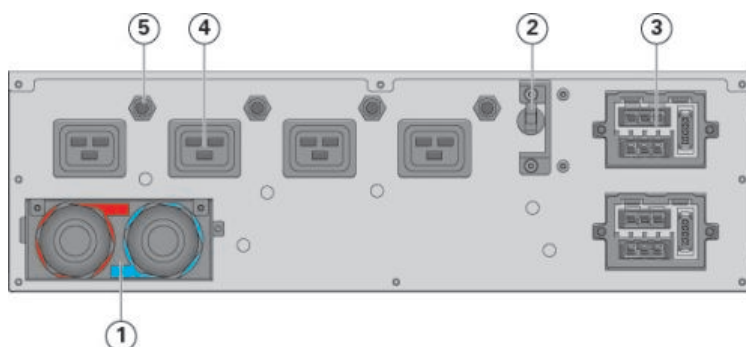
Des voyants indiquent l'état d'alimentation du ModularEasy :

- ④ **Le voyant vert "alimentation de l'ASI"** est allumé lorsqu'au moins une sortie d'ASI est disponible.
- ⑤ **Le voyant rouge "mode Bypass"** est allumé lorsque le commutateur de Bypass manuel du ModularEasy est sur la position TEST ou BYPASS. **La charge n'est pas protégée.**



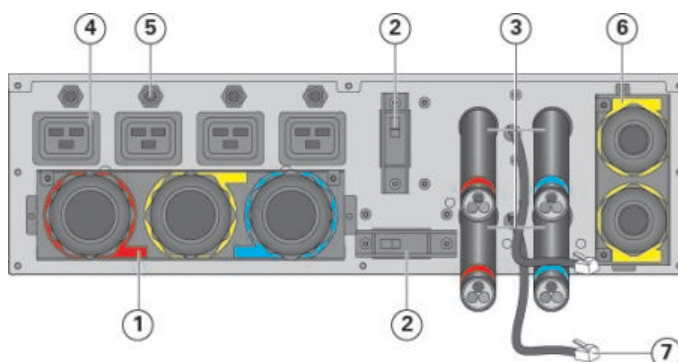
Sur le 9PXMEZ11Ki, il est possible de dériver la charge sur une source Bypass AC séparée (voir "4.3 9PXMEZ11Ki - avec Normal AC source et Bypass AC source séparées", page 18 pour plus de détails).

9PXMEZ6Ki



- ① Bornes d'Input/Output
- ② Commutateur de sortie de l'ASI
- ③ Câbles d'Input/Output pour la connexion à UPS1 et UPS2
- ④ Prises 16 A
- ⑤ Disjoncteur des prises
- ⑥ Entrée source "Bypass" UPS1 et UPS2
- ⑦ Câble du signal de détection du 9PXMEZ vers l'ASI

9PXMEZ11Ki



Le **commutateur de sortie de l'ASI** ② permet de déconnecter l'alimentation en sortie de l'ASI, pour son entretien ou son remplacement. Voir "5. Utilisation", page 20.

Détection de l'état du ModularEasy ⑦ :

Un câble RJ11 de signal permet d'afficher les états suivants sur l'écran de l'ASI :

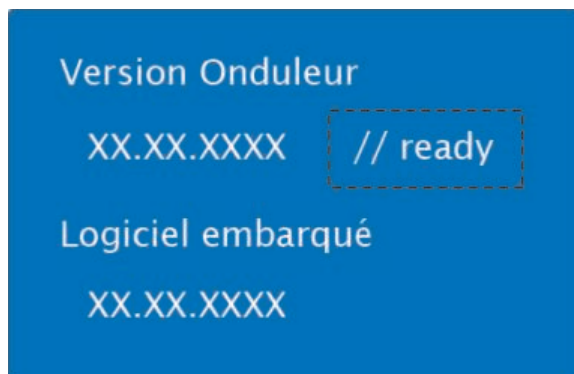
- connexion du ModularEasy à l'ASI
- position du commutateur de Bypass.

2. Présentation

2.3 Mise à niveau du logiciel embarqué



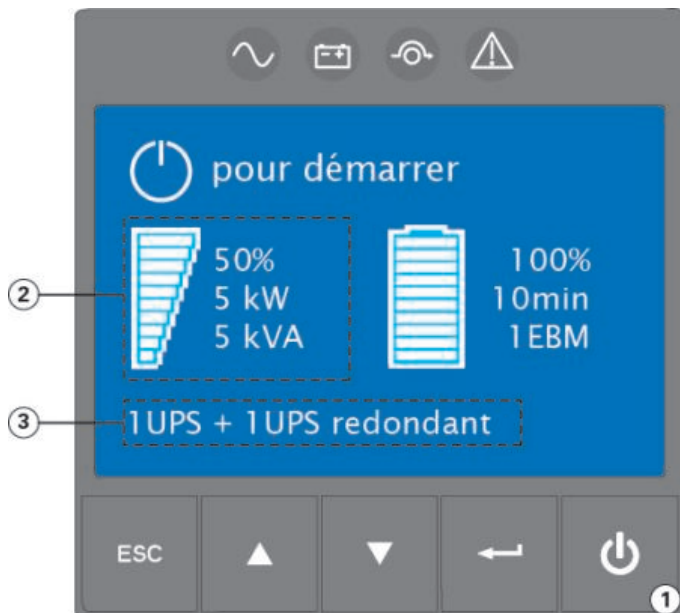
Vérifiez que la version du logiciel embarqué est compatible au mode parallèle :
Menu → Identification → Logiciel embarqué.




Si "**// Ready**" ne s'affiche pas en face du numéro de la Version Onduleur, celle-ci ne peut pas être connectée en parallèle.


Contactez votre revendeur Eaton pour télécharger la dernière version du logiciel embarqué.

2.4 Écran des ASI en parallèle



- ① Appuyez sur le bouton  de l'une des deux ASI pour lancer le système parallèle.
- ② La puissance affichée est celle de l'ASI et non celle de la charge. La puissance de la charge est la somme de celle affichée pour UPS1 + celle affichée pour UPS2
- ③ "**1UPS + 1UPS redondant**" signifie que la puissance de la charge est inférieure à la puissance maximale d'une ASI.
"**2UPS + 0UPS redondant**" signifie que la puissance de la charge est supérieure à la puissance maximale d'une ASI.
"**1UPS + 0UPS redondant**" signifie qu'une seule ASI alimente la charge.

2.5 Réglage du fonctionnement en parallèle

Appuyez sur le bouton Entrée () pour activer les options de menu.

Menu principal	Sous-menu	Réglages disponibles	
Réglages	Régl. entrée/sortie	Mode redondance	[Mode parallèle]
			[Redondance seule]

[Mode parallèle] : choisissez ce mode pour désactiver l'alarme sonore lorsque la puissance de la charge est supérieure à la puissance maximale d'une ASI : "Mode parallèle" est le mode par défaut.

[Redondance seule] : choisissez ce mode pour désactiver l'alarme sonore lorsque la puissance de la charge est supérieure à la puissance maximale d'une ASI.

3.1 Inspection de l'équipement

Si une partie de l'équipement a été endommagée pendant l'expédition, conservez le carton d'expédition et les matériaux d'emballage à l'intention du transporteur ou du lieu d'achat et déposez une réclamation pour dégâts de livraison. Si vous découvrez un dégât après avoir accepté les colis, déposez une réclamation pour avarie non apparente.

Pour déposer une réclamation pour dégât de livraison ou avarie non apparente :

1. Déposez votre réclamation auprès du transporteur dans les 15 jours suivant la réception de l'équipement.
2. Envoyez un exemplaire de la réclamation dans les 15 jours à votre service SAV.

3.2 Déballage du ModularEasy

Déballer l'équipement et retirez les matériaux d'emballage et le carton d'expédition.

Jetez ou recyclez l'emballage en respectant l'environnement ou stockez-le pour un futur usage.

Placez le boîtier dans un endroit protégé ventilé de façon appropriée, à l'abri de l'humidité, des gaz inflammables et de la corrosion.



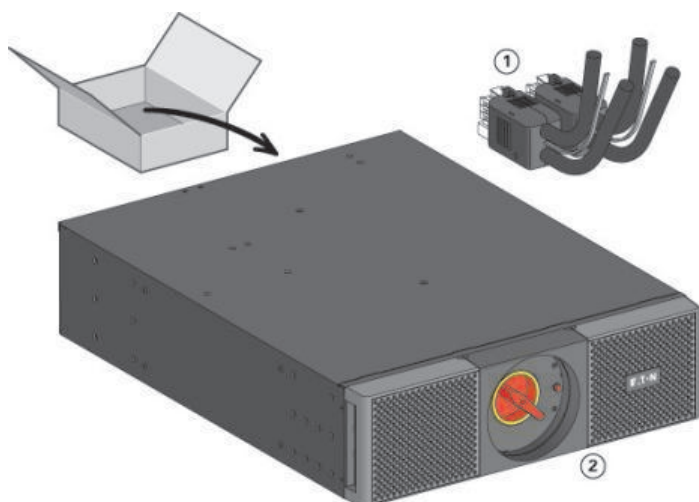
La mise au rebut des matériaux d'emballage doit respecter les réglementations locales relatives aux déchets.

Des symboles de recyclage sont imprimés sur les matériaux d'emballage afin de faciliter leur tri.

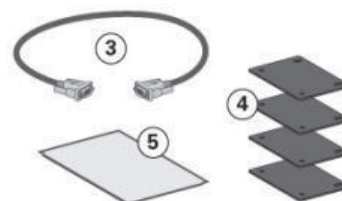
3.3 Vérification du kit d'accessoires

- Vérifiez que les éléments supplémentaires suivants sont inclus avec le ModularEasy :

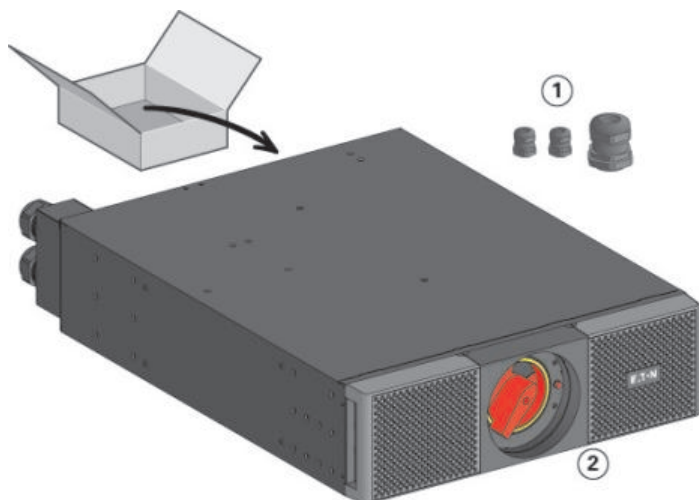
9PXMEZ6Ki



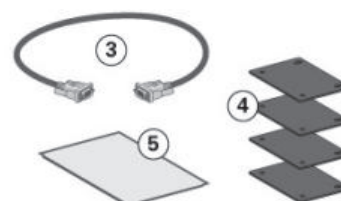
- ① Jeu de cordons Input/Output de l'ASI
- ② Châssis du ModularEasy
- ③ Câble parallèle 9PX réf. : 744-A2675
- ④ Kit de montage sur tour et mural (avec 4 écrous à oreilles et leurs vis)
- ⑤ Manuel d'installation et d'utilisation



9PXMEZ11Ki

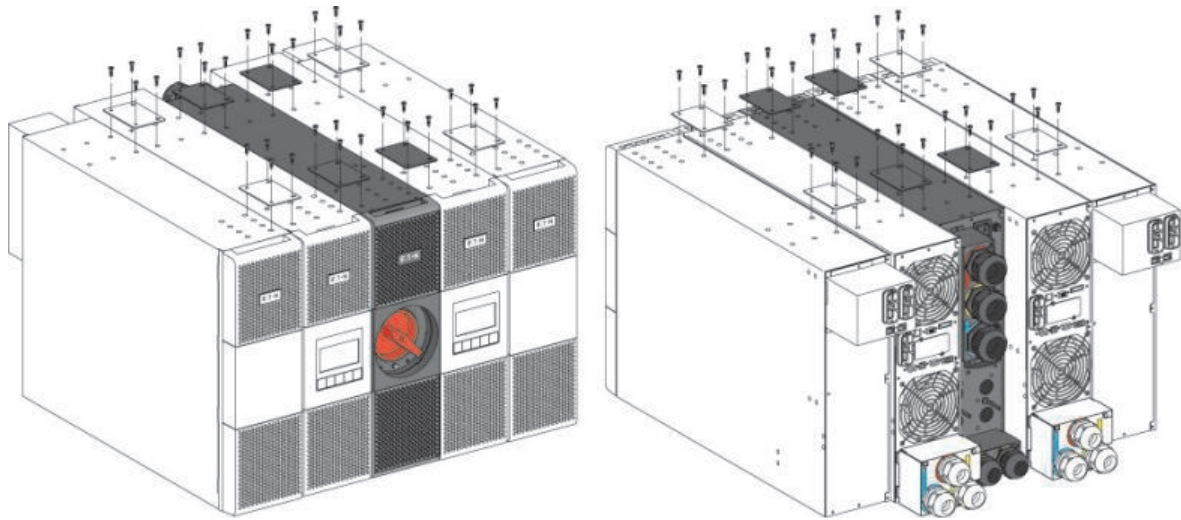


- ① Presse-étoupe
- ② Châssis du ModularEasy
- ③ Câble parallèle 9PX réf. : 744-A2675
- ④ Kit de montage sur tour et mural (avec 4 écrous à oreilles et leurs vis)
- ⑤ Manuel d'installation et d'utilisation

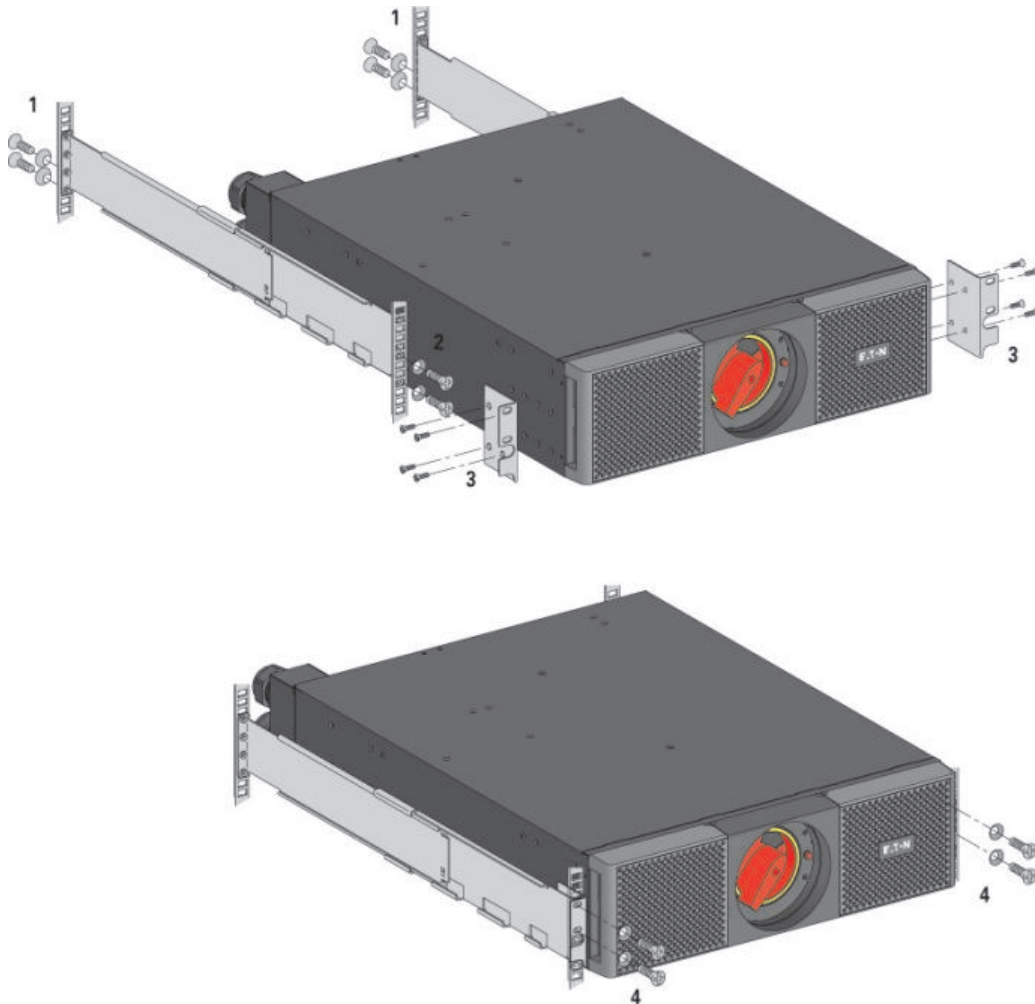


3. Installation

3.4 Position tour

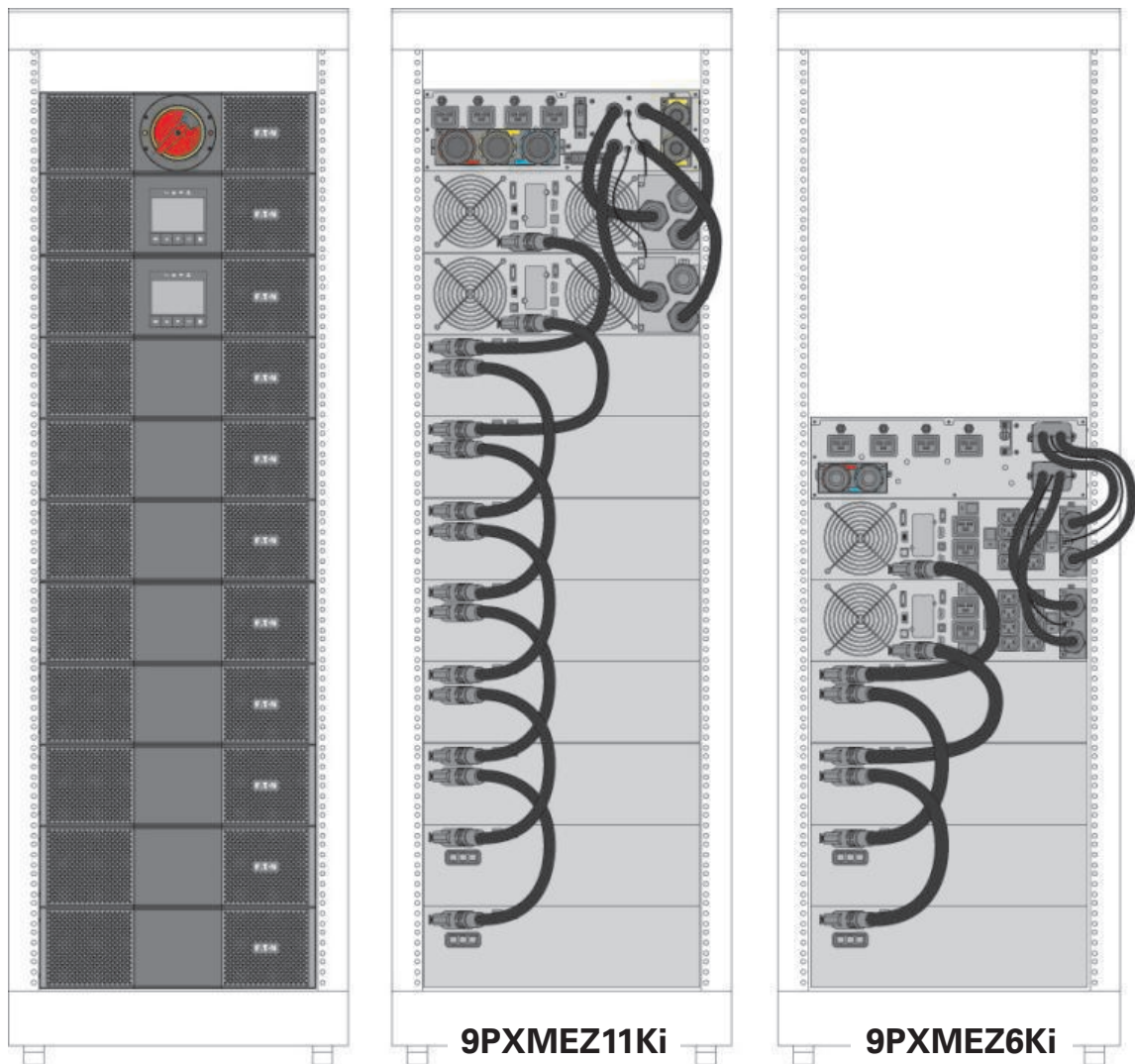


3.5 Position rack avec le kit de rails non inclus : 9RK

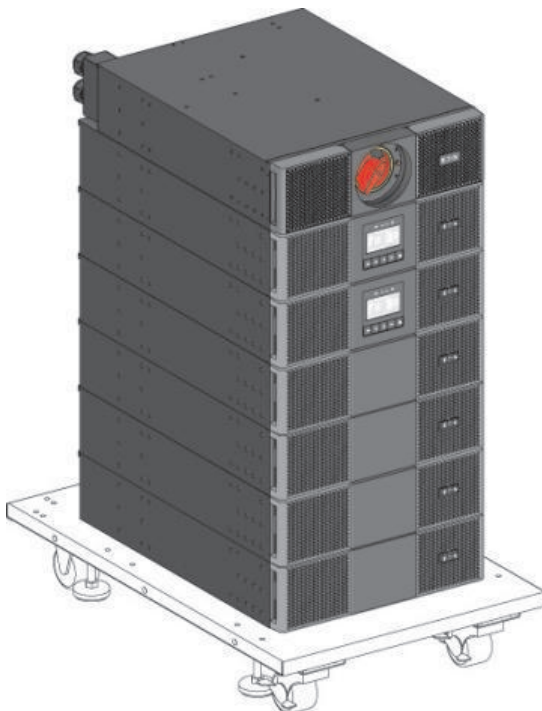


3. Installation

3.6 Exemple de configuration en 19 pouces avec EBM 9PX EBM 240V en option



3.7 Exemple de système intégrant la batterie avec le châssis Trollet Frame en option non inclus BINTSYS



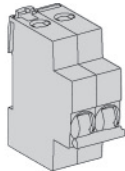
3. Installation

3.8 Conditions requises pour l'installation

Dispositifs de protection et sections de câbles recommandés

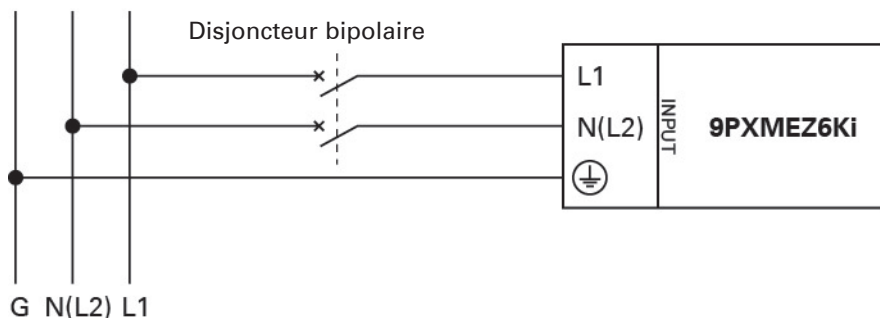
3.8.1 9PXMEZ6Ki à utiliser avec les ASI 9PX6000 ou 9PX5000

- Dispositifs de protection recommandés



Courbe D, 63 A pour un mode parallèle

Courbe D, 32 A pour la redondance seule

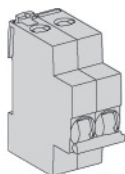


- Sections de câbles recommandées :

	Position sur le bornier	Fonction du fil	Section du fil terminal	Section minimale du fil d'entrée	Disjoncteur à courbe D
9PXMEZ6Ki Mode parallèle	L1	Phase	4-25 mm ² (12-4 AWG)	10 mm ² (8 AWG)	63 A
	N (L2)	Neutre (Phase)			
	⊕	Terre			
9PXMEZ6Ki Redondance seule	L1	Phase	4-25 mm ² (12-4 AWG)	6 mm ² (10 AWG)	32 A
	N (L2)	Neutre (Phase)			
	⊕	Terre			

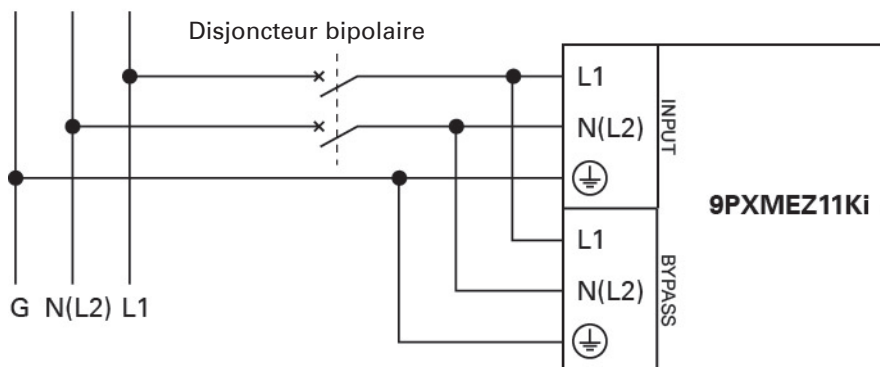
3.8.2 9PXMEZ11Ki à utiliser avec les ASI 9PX8000 ou 9PX11000

- Dispositifs de protection recommandés pour la source d'entrée commune



Pour un mode parallèle
courbe D, 125 A pour ASI 9PX11000
courbe D, 100 A pour ASI 9PX8000

Pour la redondance seule
courbe D, 63 A pour ASI 9PX11000
courbe D, 50 A pour ASI 9PX8000

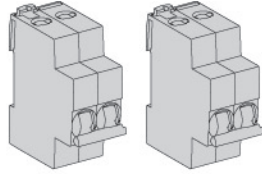


3.8 Conditions requises pour l'installation

Dispositifs de protection et sections de câbles recommandés

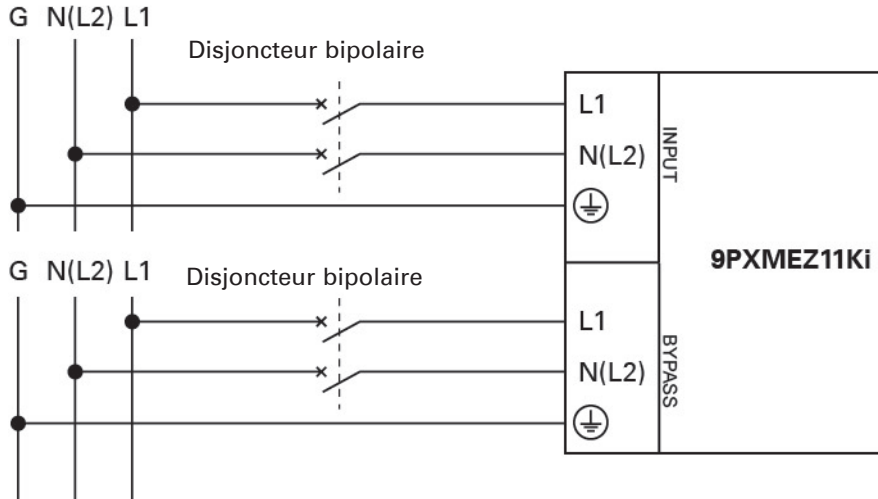
3.8.3 9PXMEZ11Ki à utiliser avec les ASI 9PX8000 ou 9PX11000

- Dispositifs de protection recommandés pour la source d'entrée commune



Pour un mode parallèle
courbe D, 125 A pour ASI 9PX11000
courbe D, 100 A pour ASI 9PX8000

Pour la redondance seule
courbe D, 63 A pour ASI 9PX11000
courbe D, 50 A pour ASI 9PX8000



- Sections de câbles recommandées :

9PXMEZ11Ki	Normal AC source et Bypass AC source				
	Position sur le bornier	Fonction du fil	Section du fil terminal	Section minimale du fil d'entrée	Disjoncteur à courbe D
Mode parallèle avec ASI 9PX11000	L1	Phase	4-35 mm ² (12-4 AWG)	35 mm ² (1 AWG)	125 A
	N (L2)	Neutre (Phase)			
	⊕	Terre			
Mode parallèle avec ASI 9PX8000	L1	Phase	4-35 mm ² (12-4 AWG)	25 mm ² (2 AWG)	100 A
	N (L2)	Neutre (Phase)			
	⊕	Terre			
Redondance seule avec ASI 9PX11000	L1	Phase	4-35 mm ² (12-4 AWG)	10 mm ² (8 AWG)	63 A
	N (L2)	Neutre (Phase)			
	⊕	Terre			
Redondance seule avec ASI 9PX8000	L1	Phase	4-35 mm ² (12-4 AWG)	10 mm ² (8 AWG)	50 A
	N (L2)	Neutre (Phase)			
	⊕	Terre			

4. Branchement des câbles d'alimentation



Ce type de branchement doit être effectué par un électricien qualifié.

Avant d'effectuer tout branchement, vérifiez que le dispositif de protection en amont (Normal AC source) est ouvert "O" (Off).

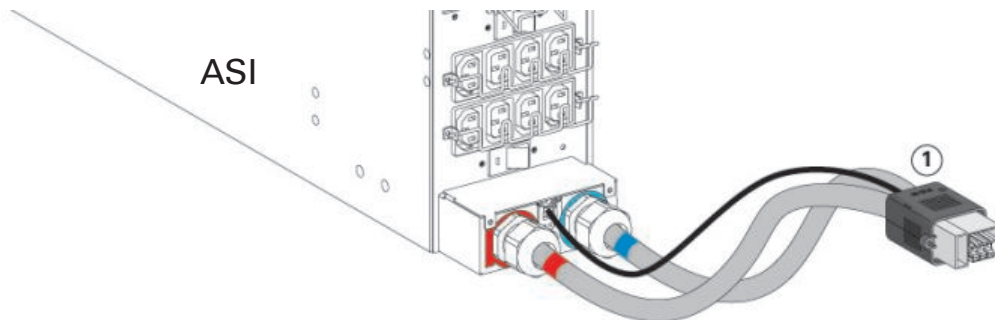


Avant de passer au branchement du ModularEasy sur l'ASI, vérifiez que celle-ci a été correctement arrêtée (reportez-vous au manuel d'utilisation de l'ASI).

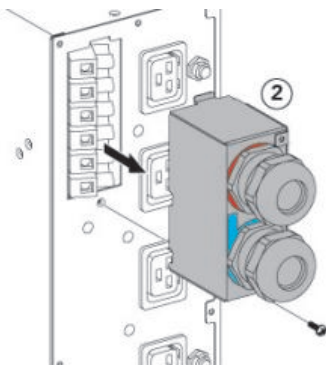
Branchez toujours le fil de terre en premier.

4.1 9PXMEZ6Ki

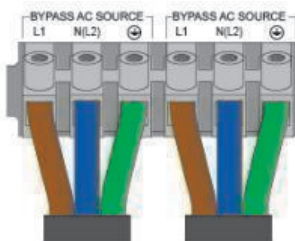
1. Branchez les deux câbles d'alimentation du jeu de cordons d'entrée/sortie ① sur les bornes d'entrée/sortie de l'ASI, en respectant le code de couleur des câbles et du cache d'entrée/sortie de l'ASI (bleu pour UPS Input, rouge pour UPS Output) – reportez-vous au manuel d'utilisation de l'ASI pour repérer la connexion des bornes de l'ASI.
2. Branchez le câble de détection du ModularEasy dans le jeu de cordons d'entrée/sortie ① sur le connecteur correspondant de l'ASI ("MBP détecté", reportez-vous au manuel d'utilisation de l'ASI "614-09200").



3. Faites glisser le cache d'entrée/sortie ② du ModularEasy après avoir retiré la vis pour accéder à ses bornes.



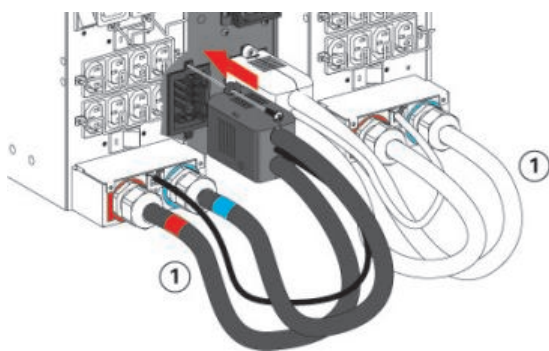
4. Introduisez le câble Normal AC source dans le presse-étoupe.
5. Branchez les fils sur les bornes Normal AC source (Input).
6. Introduisez le câble Output dans le presse-étoupe.
7. Branchez les fils sur les bornes Output.



8. Serrez les presse-étoupe.
9. Faites glisser le cache d'entrée/sortie ② du ModularEasy et fixez-le avec la vis.

4. Branchement des câbles d'alimentation

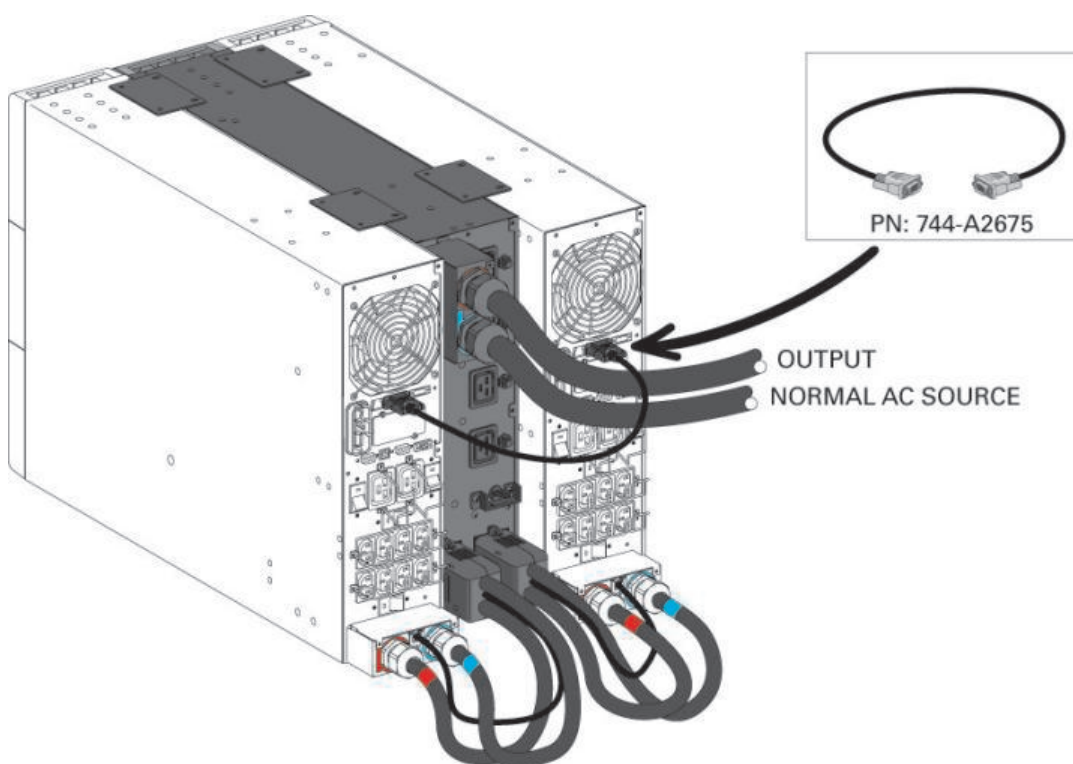
10. Branchez le connecteur du jeu de cordons d'entrée/sortie ① sur le ModularEasy et fixez-le avec les vis de fixation.



11. Reliez les deux ASI avec le câble parallèle 9PX et bloquez ce dernier.



L'utilisation d'un câble parallèle spécifique est obligatoire pour le premier démarrage et pour une utilisation optimale.

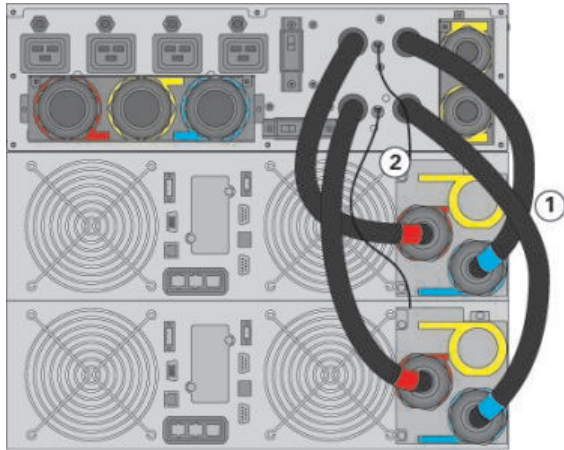


4. Branchement des câbles d'alimentation

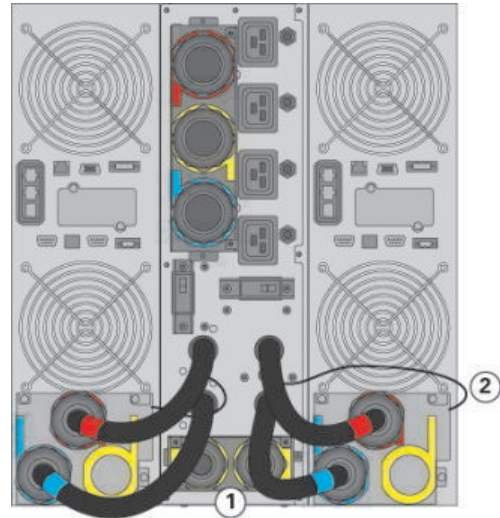
4.2 9PXMEZ11Ki - avec Normal AC source et Bypass AC source **communes**

1. Branchez les 4 câbles d'alimentation intégrés ① sur les bornes d'entrée/sortie des ASI UPS1 et UPS2, en respectant le code de couleur des câbles et du cache d'entrée/sortie de l'ASI (bleu pour UPS Input, rouge pour UPS Output) – ne retirez pas le cavalier UPS Input Bypass AC à l'intérieur du cache d'entrée/sortie des ASI - reportez-vous au manuel d'utilisation des ASI pour repérer la connexion de leurs bornes.
2. Branchez les câbles de détection du ModularEasy ② sur le connecteur correspondant de l'ASI ("MBP détecté", reportez-vous au manuel d'utilisation de l'ASI "614-09260").

Position rack

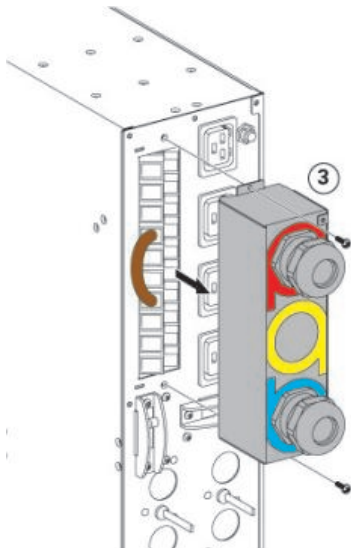


Position tour



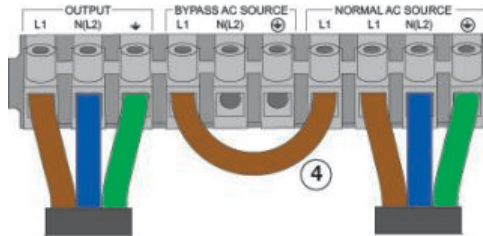
N'augmentez pas ou ne réduisez pas la longueur du câble d'alimentation intégré.

3. Faites glisser le cache d'entrée/sortie ③ du ModularEasy après avoir retiré les deux vis pour accéder aux bornes du ModularEasy.



4. Branchement des câbles d'alimentation

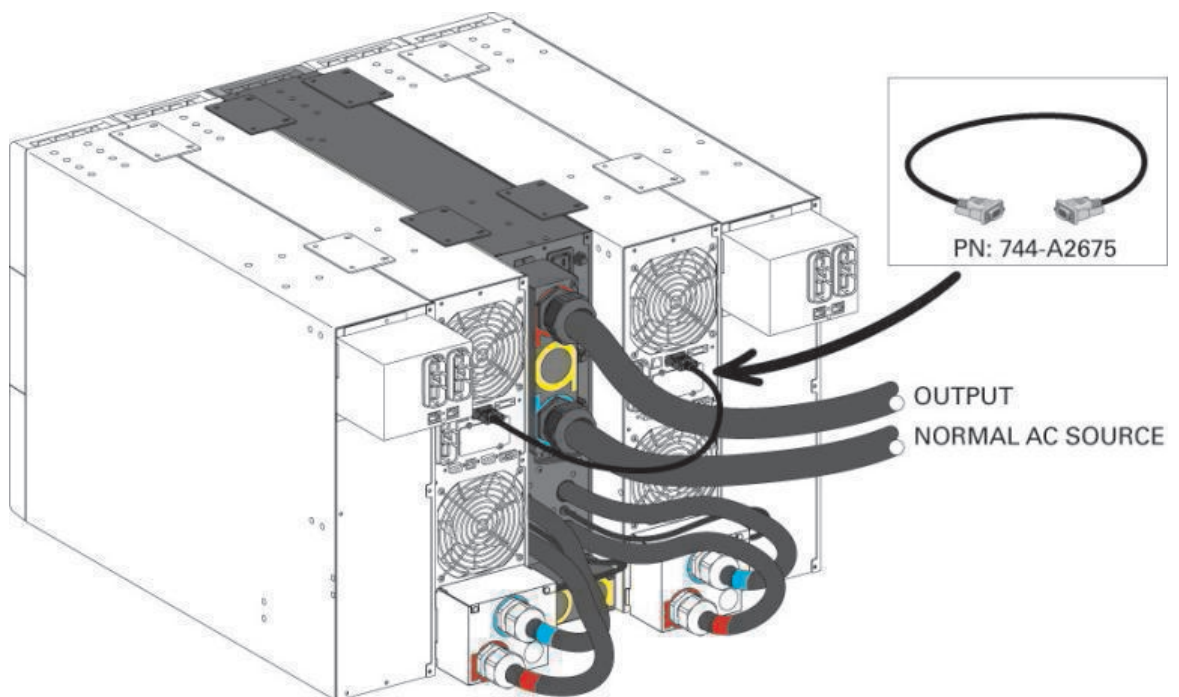
4. Introduisez le câble Normal AC source dans le presse-étoupe.
5. Branchez les fils sur les bornes Normal AC source (Input) (ne retirez pas le cavalier Input Bypass AC ④ ni le cavalier UPS Input Bypass à l'intérieur du cache d'entrée/sortie de l'ASI reportez-vous au manuel d'utilisation de l'ASI).
6. Introduisez le câble Output dans le presse-étoupe.
7. Branchez les fils sur les bornes Output.



8. Serrez les presse-étoupe.
9. Faites glisser le cache d'entrée/sortie ③ du ModularEasy et fixez-le avec les 2 vis.
10. Vérifiez le module EBM connecté à l'ASI.
11. Reliez les deux ASI avec le câble parallèle 9PX et bloquez ce dernier.



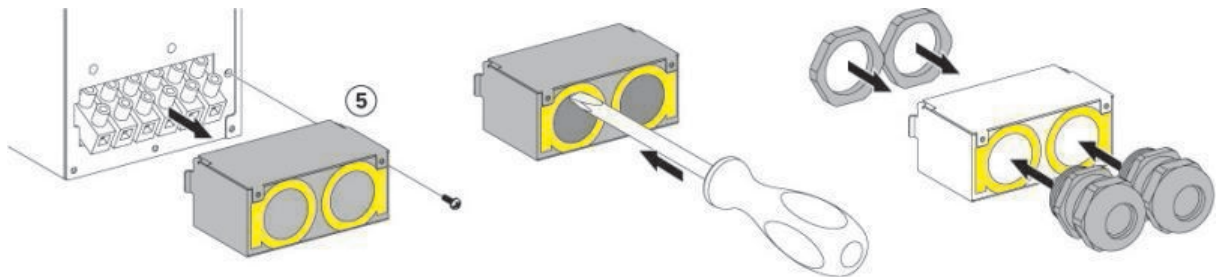
L'utilisation d'un câble parallèle spécifique est obligatoire pour le premier démarrage et pour une utilisation optimale.



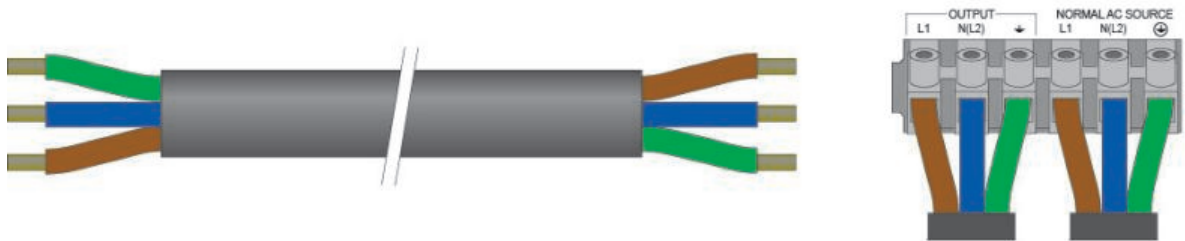
4. Branchement des câbles d'alimentation

4.3 9PXMEZ11Ki - avec Normal AC source et Bypass AC source **séparées**

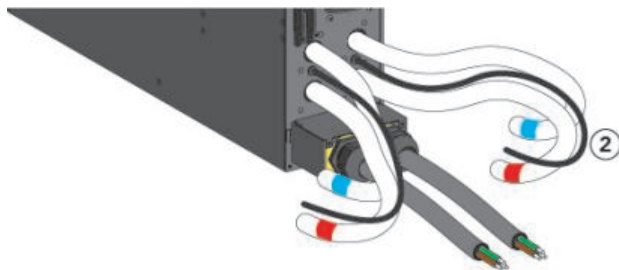
1. Faites glisser le cache Bypass Input du ModularEasy ⑤ après en avoir retiré la vis.
2. Retirez les deux entrées défonçables "Bypass Input" de ce cache ⑤ et introduisez les deux petits presse-étoupe fournis à l'intérieur.



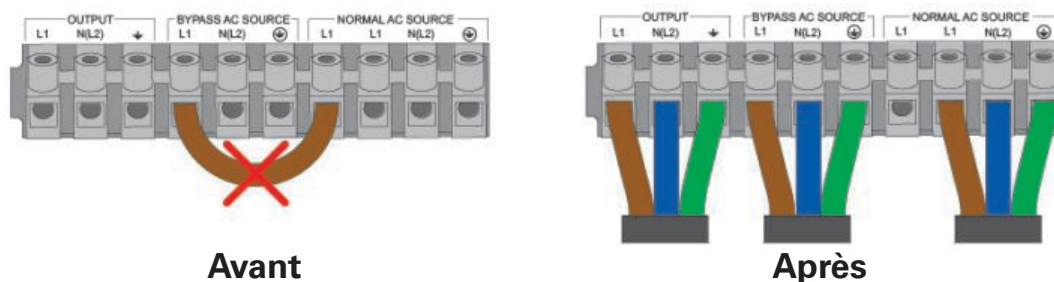
3. Introduisez un câble d'alimentation dans chaque presse-étoupe du cache Bypass Input du ModularEasy ⑤. Les câbles ne sont pas fournis dans le colis. Il est recommandé d'utiliser un câble à 3 conducteurs, de 50 cm de long et d'une section minimale de fil de 10 mm² (8 AWG).



4. Branchez les fils sur les bornes "Input BP" du cache Bypass Input du ModularEasy ⑤.
5. Serrez le presse-étoupe.
6. Faites glisser le cache Bypass Input ⑤ du ModularEasy et fixez-le avec la vis.



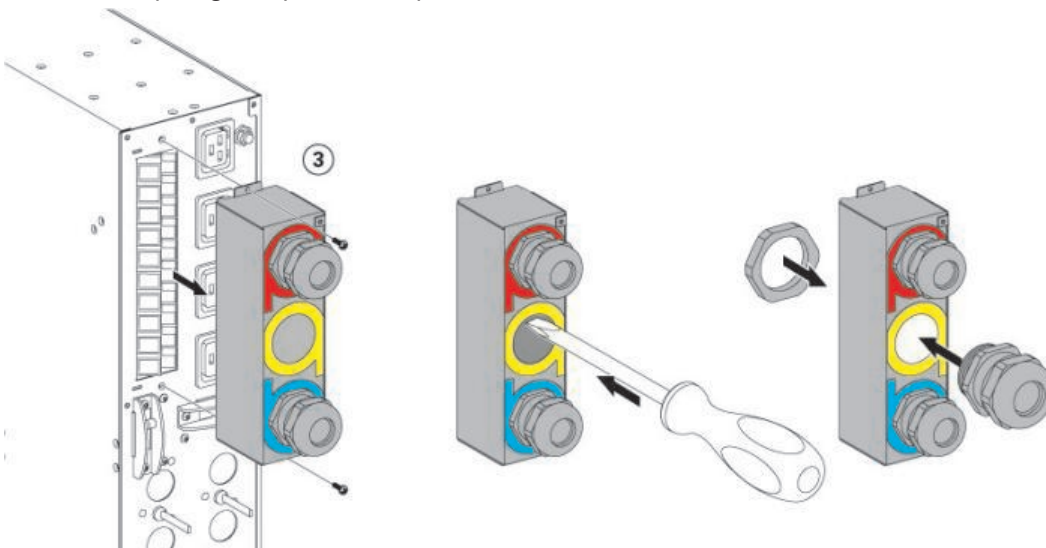
7. Branchez les 4 câbles d'alimentation intégrés et les deux câbles d'alimentation Bypass Input déjà installés sur les bornes d'entrée/sortie des ASI UPS1 et UPS2. En vous aidant du code de couleur des câbles et du cache d'entrées/sorties de l'ASI (bleu pour UPS Input / rouge pour UPS Output / jaune pour UPS Input Bypass), reportez-vous au Manuel d'utilisation de l'ASI pour vérifier la connexion des bornes de l'ASI. N'oubliez pas de **retirer le cavalier "Input Bypass AC" sur l'ASI**.
8. Branchez le câble de détection du ModularEasy ② sur le connecteur correspondant de l'ASI (reportez-vous au manuel d'utilisation de l'ASI).
9. Faites glisser le cache d'entrée/sortie ③ du ModularEasy après avoir retiré les deux vis pour accéder aux bornes du ModularEasy.



4. Branchement des câbles d'alimentation

10. Retirez le cavalier Input Bypass AC ④.

11. Faites sauter l'entrée défonçable Bypass AC Source du cache d'entrée/sortie ③ du ModularEasy et insérez le plus grand presse-étoupe fourni à l'intérieur.



12. Introduisez le câble Normal AC source dans le presse-étoupe.

13. Branchez les fils sur les bornes Normal AC source (Input).

14. Introduisez le câble Bypass AC source dans le presse-étoupe.

15. Branchez les fils sur les bornes Bypass AC source (Input BP).

16. Introduisez le câble Output dans le presse-étoupe.

17. Branchez les fils sur les bornes Output.

18. Serrez les presse-étoupe.

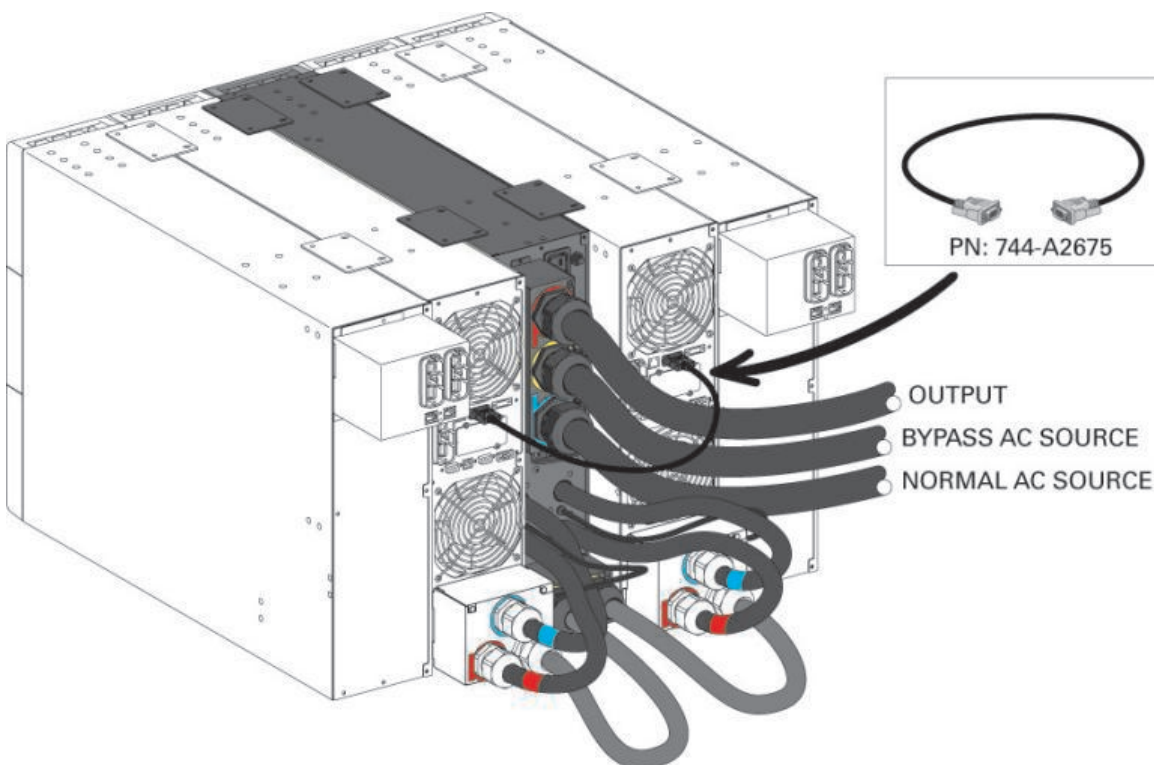
19. Faites glisser le cache d'entrée/sortie du ModularEasy ③ et fixez-le avec les deux vis.

20. Vérifiez le module EBM connecté à l'ASI.

21. Reliez les deux ASI avec le câble parallèle 9PX et bloquez ce dernier.



L'utilisation d'un câble parallèle spécifique est obligatoire pour le premier démarrage et pour une utilisation optimale.



5. Utilisation

5.1 Démarrage du système parallèle d'ASI



En mode "Redondance seule", vérifiez que les valeurs nominales de l'ensemble de l'équipement ne dépassent pas la capacité d'une ASI afin de prévenir une alarme de surcharge.
En mode "Mode parallèle", vérifiez que les valeurs nominales de l'ensemble de l'équipement ne dépassent pas la capacité des deux ASI afin de prévenir une alarme de surcharge.

1. Vérifiez que les deux ASI sont correctement connectées au ModularEasy (voir "4. Branchement des câbles d'alimentation", page 14).

Si l'ASI est équipée de prises, ces prises ne peuvent plus être utilisées (les charges ne peuvent être branchées que sur les prises du ModularEasy ou sur les bornes Output du ModularEasy).



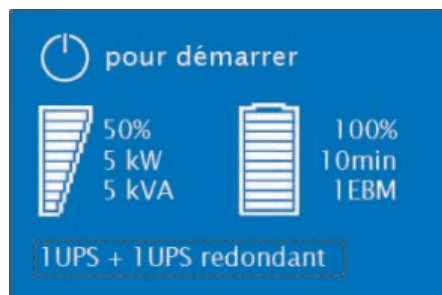
Vérifiez que les deux ASI sont reliées par le câble parallèle 9PX.



Réf. : 744-A2675



2. Vérifiez que les bornes du ModularEasy sont branchées sur le réseau et sur l'alimentation Bypass AC source (*).
3. Vérifiez que l'interrupteur manuel Bypass du ModularEasy est sur la position "UPS".
4. Vérifiez que l'interrupteur "UPS output switch" à l'arrière du ModularEasy soit sur la position "I" (On) pour le 9PXMEZ6Ki.
Vérifiez que les deux interrupteurs "UPS output switch" à l'arrière du ModularEasy soient sur la position "I" (On) pour le 9PXMEZ11Ki.
5. Réglez le disjoncteur en amont (non fourni) de la source AC sur la position "I" (On) pour activer le réseau (voir "3.4 Position tour", page 10).
Réglez le disjoncteur en amont (non fourni) de la source Bypass sur la position "I" (On) pour activer l'alimentation Bypass (*).
6. Vérifiez que les deux ASI sont correctement alimentées (écrans des ASI allumés).
7. Vérifiez que les deux ASI affichent "1UPS + 1UPS redondant". Ne passez pas à l'étape suivante si ce message n'est pas affiché et vérifiez les deux points suivants :



- a) Les deux ASI sont reliées par le câble parallèle réf. : 744-A2675.
- b) La version du logiciel embarqué de l'ASI est compatible avec le mode parallèle :
Menu → Identification → Logiciel embarqué.
Si "// Ready" ne s'affiche pas en face du numéro de la Version Onduleur, contactez votre revendeur Eaton pour télécharger la dernière version du logiciel embarqué.

8. Choisissez le mode "**Redondance seule**" ou "**Mode parallèle**" dans le Menu → Réglages → Régl. entrée/sortie → Mode redondance.
 - "**Mode parallèle**" est le mode par défaut. "Mode parallèle" désactive l'alarme sonore lorsque la puissance de la charge est supérieure à la puissance maximale d'une ASI.
 - "**Redondance seule**" active l'alarme sonore lorsque la puissance de la charge est supérieure à la puissance maximale d'une ASI.
9. Appuyez sur le bouton **ON** de l'une des deux ASI pour lancer le système parallèle.

(* **uniquement si l'option Bypass AC source est branchée (9PXMEZ11Ki uniquement).**

5.2 Entretien de l'onduleur avec ModularEasy

Entretien de l'onduleur :

1. Placez les deux onduleurs en "**mode bypass interne**" (reportez-vous au Manuel d'utilisation de l'onduleur).
2. Vérifiez sur l'écran des ASI qu'elles sont toutes deux en mode Bypass (reportez-vous au manuel d'utilisation des ASI).
3. Placez l'interrupteur Bypass manuel du ModularEasy sur la position "Test". **Le voyant rouge "Bypass"** du ModularEasy s'allume, indiquant que la charge est alimentée directement par le réseau ou par l'alimentation Bypass AC source en option sur le 9PXMEZ11Ki.
4. Pour tester les ASI en mode unitaire, positionner l'interrupteur "UPS output switch" à l'arrière du ModularEasy sur la position "0" (OFF).
Pour tester les deux ASI en parallèle, positionner l'interrupteur "UPS output switch" à l'arrière du ModularEasy sur la position "1" (ON).
5. Procédez aux opérations de maintenance sur l'ASI (reportez-vous au manuel d'utilisation de l'ASI).



Retour au fonctionnement normal :

1. - **9PXMEZ6Ki** : Vérifiez que l'interrupteur "UPS output switch" à l'arrière du ModularEasy soit sur la position "I" (On).
- **9PXMEZ11Ki** : Vérifiez que les 2 interrupteurs "UPS output switch" à l'arrière du ModularEasy soit sur la position "I" (On).
2. Vérifiez sur l'écran de l'ASI que celle-ci est en mode Bypass (reportez-vous au manuel d'utilisation de l'ASI).

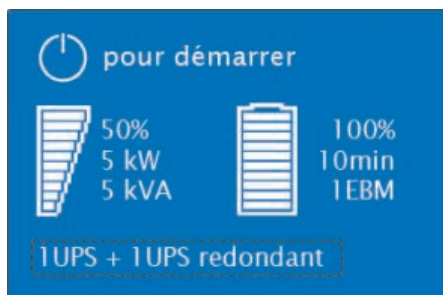


3. Vérifiez que le câble parallèle 9PX est correctement branché et fixé.



Réf. : 744-A2675

4. Vérifiez que les deux ASI affichent "**1UPS + 1UPS redondant**". Ne passez pas à l'étape suivante si ce message n'est pas affiché et vérifiez les deux points suivants :



- a) Les deux ASI sont reliées par le câble parallèle réf. : 744-A2675
 - b) La version du logiciel embarqué de l'ASI est compatible avec le mode parallèle :
Menu → Réglages → Régl. entrée/sortie → Mode redondance.
Si "**// Ready**" ne s'affiche pas en face du numéro de la Version Onduleur, contactez votre revendeur Eaton pour télécharger la dernière version du logiciel embarqué.
5. Vérifiez que le **voyant vert "UPS mode"** du ModularEasy est allumé, indiquant que l'alimentation de sortie de l'ASI est disponible sur le ModularEasy.



Important : ne passez pas à l'étape suivante si le **voyant vert "UPS mode"** du ModularEasy reste éteint (la charge ne sera pas alimentée).



6. Placez l'interrupteur Bypass manuel du ModularEasy sur la position "ASI" : le **voyant rouge "Bypass mode"** du ModularEasy s'éteint, indiquant que la charge est maintenant alimentée par l'ASI.
7. Mettez l'ASI en mode "**Online**" (reportez-vous au manuel d'utilisation de l'ASI).
8. Vérifiez sur l'écran de l'ASI que celle-ci est en mode Online (reportez-vous au manuel d'utilisation de l'ASI).


La charge est maintenant protégée par l'ASI.

5. Utilisation

5.3 Remplacement d'une ASI avec ModularEasy

5.3.1 Retrait de l'ASI défectueuse :



1. Mettez l'ASI en "**mode Bypass interne**" (reportez-vous au manuel d'utilisation de l'ASI).
2. Vérifiez sur l'écran de l'ASI que celle-ci est en mode Bypass (reportez-vous au manuel d'utilisation de l'ASI).
3. Placez l'interrupteur Bypass manuel du ModularEasy sur la position "**Bypass**".
Le **voyant rouge "Bypass mode"** du ModularEasy s'allume, indiquant que la charge est alimentée directement par le réseau ou par l'alimentation Bypass AC source en option sur le 9PXMEZ11Ki uniquement.
4. Attendez environ 30 secondes pour que l'ASI s'éteigne.
5. Vérifiez que l'écran de l'ASI est éteint. S'il est encore allumé, vérifiez que l'ASI n'est pas en mode veille en vous reportant au manuel d'utilisation de l'ASI. Ne passez pas à l'étape suivante tant que l'écran est allumé.
6. Vérifiez que l'interrupteur "UPS output switch" à l'arrière du ModularEasy soit sur la position "0" (OFF) dans le cas du 9PXMEZ6Ki ou vérifiez que les deux interrupteurs "UPS output" à l'arrière du ModularEasy soient sur la position "0" (OFF) dans le cas du 9PXMEZ11Ki.
7. Débranchez toutes les batteries internes (*) et externes de l'ASI défectueuse.
(*) ASI 9PX5000 et 9PX6000 uniquement.
8. Vérifiez si l'ASI défectueuse est vraiment déconnectée de toute source d'alimentation en appuyant pendant 5 secondes sur son bouton ON/OFF .
- L'ASI doit rester hors tension.**
9. Vérifiez que l'écran de l'ASI est toujours éteint.

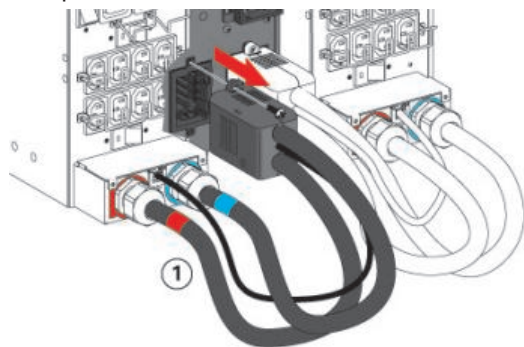


Important : Ne passez pas à l'étape suivante tant que l'écran est allumé.

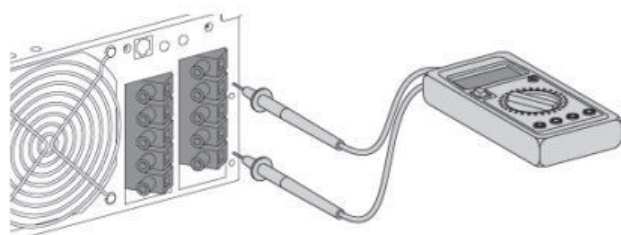
L'ASI peut maintenant être débranchée, de la manière indiquée ci-dessous :

5.3.2 9PXMEZ6Ki

- Commencez par débrancher le jeu de cordons d'entrée/sortie ① de l'ASI défectueuse du ModularEasy, après en avoir retiré les deux vis.



- Après avoir retiré le cache des bornes d'entrée/sortie de l'ASI défectueuse, vérifiez l'absence de tension dangereuse sur ces bornes à l'aide d'un testeur de sécurité électrique.



- Débranchez le jeu de cordons d'entrées/sorties ① et branchez-le sur une nouvelle ASI.
- Rebranchez le jeu de cordons d'entrées/sorties ① de la nouvelle ASI sur le ModularEasy.

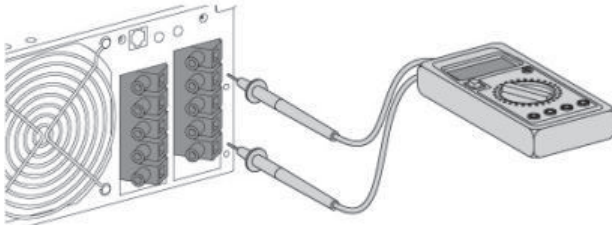


Tension dangereuse et risque de perte de charge : ne manipulez pas l'interrupteur de bypass manuel du ModularEasy tant que le jeu de cordons d'entrées/sorties ① n'est pas branché sur les bornes de l'ASI.

5.3 Remplacement d'une ASI avec ModularEasy

5.3.3 9PXMEZ11Ki

- Après avoir retiré le cache des bornes d'entrée/sortie de l'ASI défectueuse, vérifiez l'absence de tension dangereuse sur ces bornes à l'aide d'un testeur de sécurité électrique.



- Débranchez les cordons d'alimentation du ModularEasy, ainsi que son câble de détection sur l'ASI défectueuse.
- Rebranchez immédiatement les cordons d'alimentation du ModularEasy, et rebranchez son câble de détection sur une nouvelle ASI. S'il n'est pas possible de rebrancher immédiatement les câbles d'alimentation du ModularEasy, reliez leurs 3 fils ensemble (fils de phase et de neutre reliés au fil de terre) pour éviter un choc électrique afin de les rebrancher sur une nouvelle ASI plus tard.



Tension dangereuse et risque de perte de charge : ne manœuvrez pas l'interrupteur Bypass manuel du ModularEasy tant que ses câbles d'alimentation ne sont pas branchés sur les bornes de l'ASI.



5.3.4 Retour au fonctionnement normal :

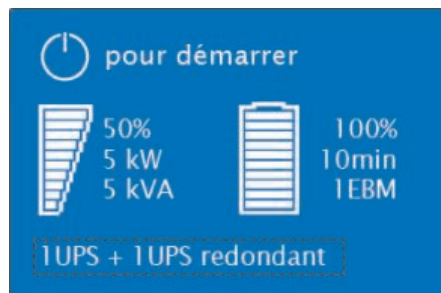
- Vérifiez que la nouvelle ASI est correctement branchée sur le ModularEasy (voir chapitre 4.1, 4.2 et 4.3)
- Pour le 9PXMEZ6Ki, vérifiez que l'interrupteur de sortie ("UPS output") du ModularEasy est sur la position "I" (On).
Pour le 9PXMEZ11Ki, vérifiez que les deux interrupteurs de sortie ("UPS output") du ModularEasy sont sur la position "I" (On).
- Vérifiez que le câble parallèle 9PX est correctement branché et fixé (réf. : 744-A2675).
- Placez l'interrupteur Bypass manuel du ModularEasy sur la **position "Test"**.
- Vérifiez que l'ASI est correctement alimentée (l'écran de l'ASI est allumé).
- Vérifiez que les deux ASI affichent "**1UPS + 1UPS redondant**".



Réf. : 744-A2675



Ne passez pas à l'étape suivante si ce message n'est pas affiché et vérifiez les deux points suivants :

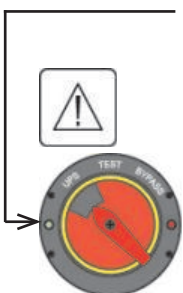


- Les deux ASI sont reliées par le câble parallèle réf. : 744-A2675.
 - La version du logiciel embarqué de l'ASI est compatible avec le mode parallèle :
Menu → Identification → Logiciel embarqué.
Si "**// Ready**" ne s'affiche pas en face du numéro de la Version Onduleur, contactez votre revendeur Eaton pour télécharger la dernière version du logiciel embarqué.
- Appuyez sur le bouton **ON** de l'une des 2 ASI pour lancer le système parallèle.
 - Mettez l'ASI en "**mode Bypass interne**" (reportez-vous au manuel d'utilisation de l'ASI).
 - Vérifiez sur l'écran de l'ASI que celle-ci est en mode Bypass (reportez-vous au manuel d'utilisation de l'ASI).
 - Vérifiez que le **voyant vert "UPS mode"** du ModularEasy est allumé, indiquant que l'alimentation de sortie de l'ASI est disponible sur le ModularEasy.

Important : ne passez pas à l'étape suivante si le **voyant vert "UPS mode"** du ModularEasy reste éteint (la charge ne sera pas alimentée).

- Placez l'interrupteur Bypass manuel du ModularEasy sur la position "**UPS**". Le **voyant rouge "Bypass mode"** du ModularEasy s'éteint, indiquant que la charge est maintenant alimentée par l'ASI.
- Mettez l'ASI en **mode "Online"** (reportez-vous au manuel d'utilisation de l'ASI).
- Vérifiez sur l'écran de l'ASI que celle-ci est en mode Online (reportez-vous au manuel d'utilisation de l'ASI).

La charge est maintenant protégée par l'ASI.



6. Dépannage

Condition	Cause	Action
Une ASI affiche : Load unbalance (déséquilibre de la charge)	L'un des interrupteurs "UPS output" est en position Off à l'arrière du ModularEasy	Placez l'interrupteur "UPS output" en position On sur le ModularEasy
Il est impossible de télécharger le logiciel embarqué	L'une des deux ASI est en mode Online ou Batterie	Sélectionnez le mode Standby ou Bypass

7. Spécifications

	9PXMEZ6Ki	9PXMEZ11Ki
Input Bypass		
	N/D	Bornes
Output		
	4 prises IEC 16 A + Bornes	4 prises IEC 16 A + Bornes
Dimensions hors-tout P x L x H (mm / inch)		
	690 x 440 x 130 / 27 x 17 x 5	
Poids (kg / lb)		
	22.8 / 10.3	32.6 / 15
Performances		
Tension nominale	200 - 240 V ~	200 - 250 V ~
Fréquence	50/60 Hz	
Courant nominal d'entrée	60 A	100 A
Puissance maximale	12000 VA	22000 VA
Normes		
Sécurité	IEC/EN 62040-1 / Ed.1: 2008	
CEM	IEC/EN 62040-2 / Ed.2: 2006	
Performances	IEC/EN 62040-3 / Ed.2.0: 2011	
DES	IEC 61000-4-2 : niveau 3.	
Champs rayonnés	IEC 61000-4-3 : niveau 3.	
Transitoires électriques rapides	IEC 61000-4-4 : niveau 4.	
Transitoires rapides	IEC 61000-4-5 : niveau 4.	
Champs électromagnétiques	IEC 61000-4-6 : niveau 3.	
Champs magnétiques conduits	IEC 61000-4-8 : niveau 4.	
Marquage		
	CE	
Conditions d'environnement		
Température de fonctionnement	0 à 40 °C (32 à 104 °F)	
Température de stockage	-15 à 60 °C (5 à 140 °F)	
Température de transit	-25 à 55 °C (-13 à 130 °F)	
Humidité	0 à 95 % sans condensation	
Altitude de fonctionnement	Jusqu'à 3 000 mètres (9 843 pieds) au-dessus du niveau de la mer avec une dégradation de 10 % par 1000 m	
Altitude de transit	Jusqu'à 10 000 mètres (32 808 pieds) au-dessus du niveau de la mer	



ModularEasy

**9PXMEZ6Ki
9PXMEZ11Ki**

**Installations- und
Bedienungsanleitung**

Copyright © 2014 **EATON**
Alle Rechte vorbehalten.

Service und Support:
Wenden Sie sich telefonisch an Ihren örtlichen Servicepartner

614-09354-01_DE

SICHERHEITSANWEISUNGEN

BEWAHREN SIE DIESE ANLEITUNG AUF. Diese Anleitung enthält wichtige Hinweise, die während der Installation und Wartung des ModularEasy beachtet werden müssen.

Die in dieser Anleitung beschriebenen ModularEasy sind für eine Installation in Umgebungen mit Temperaturen von 0 - 40 °C und frei von leitenden Kontaminationen vorgesehen.

Diese Grenzwerte wurden entwickelt, um im Rahmen des Vernünftigen einen Schutz gegen schädliche Interferenzen zu gewährleisten, wenn das Gerät in einer gewerblichen Umgebung eingesetzt wird. Dieses Gerät erzeugt und nutzt Funkfrequenzenergie und kann diese abstrahlen. Außerdem kann es, wenn es nicht gemäß den Anweisungen dieser Anleitung installiert wird, Funkkommunikationen stören. Der Betrieb dieses Geräts in einem Wohnumfeld kann zu schädlichen Interferenzen führen. Ist dies der Fall, hat der Nutzer auf eigene Kosten Maßnahmen gegen diese Interferenzen zu ergreifen.

Zertifikate und Normen (in Verbindung mit USV)

- Sicherheit: IEC/EN 62040-1 / Ausg.1: 2008.
- EMV: IEC/EN 62040-2 / Ausg.2: 2006.
- Leistung: IEC/EN 62040-3 / Ausg.2.0: 2011.
- IEC 61000-4-2 (ESD): Stufe 3.
- IEC 61000-4-3 (Elektromagnetische Felder): Stufe 3.
- IEC 61000-4-4 (EFT): Stufe 4.
- IEC 61000-4-5 (Schnelle Transienten): Stufe 4.
- IEC 61000-4-6 (Elektromagnetisches Feld): Stufe 3.
- IEC 61000-4-8 (Melder mit energietechnischen Frequenzen): Stufe 4.

Spezielle Symbole

Nachfolgend Beispiele von Symbolen, die am ModularEasy angebracht sind, um Sie auf wichtige Informationen hinzuweisen:



STROMSCHLAGGEFAHR - Beachten Sie die Warnung in Verbindung mit dem Symbol für Stromschläge.



Wichtige Anweisungen, die befolgt werden müssen.



Dieses Symbol weist darauf hin, dass Abfall von elektrischen und elektronischen Geräten (WEEE) nicht mit dem Hausmüll entsorgt werden darf. Wie Sie das Gerät ordnungsgemäß entsorgen, erfahren Sie bei Ihrem örtlichen Recycling-/Wiederverwendungs- oder Gefahrgutzentrum.



Informationen, Hinweise, Hilfe.

Personenschutz

- Das System hat, wenn es an die USV angeschlossen ist, seine eigene Stromquelle (USV-Batterie). Deshalb können die Stromausgänge unter Spannung stehen, auch wenn das System von der Wechselstromversorgung getrennt wurde. Im System herrschen gefährliche Spannungen. Es darf nur von entsprechend geschultem Wartungspersonal geöffnet werden.
- Das Produkt muss ordnungsgemäß geerdet sein. Das Erdungskabel sollte immer als Erstes angeschlossen werden.

Produktsicherheit

- Die in dieser Anleitung enthaltenen Anweisungen zum Anschluss und zum Betrieb des ModularEasy müssen in der angegebenen Reihenfolge befolgt werden. Trenn- und Überstromschutzvorrichtungen für die AC IN-/OUT Kreise sind bauseits vorzusehen.
- **VORSICHT** - Zur Minderung der Brandgefahr darf das Gerät nur an einen Stromkreis angeschlossen werden, der mit einer kreisweisen Überstromschutzvorrichtung ausgerüstet ist (Näheres zur Stromstärke siehe das USV- Benutzerhandbuch).
Der vorgeschaltete Trennschalter muss leicht erreichbar sein.
Das Gerät kann durch Öffnen des Trennschalters von der Wechselstromquelle getrennt werden und, wenn es außerdem an der USV angeschlossen ist, nachdem die USV zuerst abgeschaltet wurde (siehe das Benutzerhandbuch der USV).
- Vergewissern Sie sich, dass die elektrischen Angaben auf dem Typenschild mit Ihrem Wechselstromsystem und dem tatsächliche Stromverbrauch der an das System angeschlossenen Verbraucher übereinstimmt.
- Da es sich um ein GERÄT MIT STECKERANSCHLUSS handelt, sollte in der Nähe des Gerätes eine Steckdose installiert und leicht zugänglich sein.
- Das System darf keinesfalls in der Nähe von Flüssigkeiten oder in stark dampfhaltiger Umgebung installiert werden.
- Fremdkörper dürfen nicht in das System gelangen.
- Das System darf nicht dem direkten Sonnenlicht oder anderen Wärmequellen ausgesetzt werden.
- Wenn das System vor der Installation gelagert wird, muss dies an einem trockenen Ort erfolgen.
- Der zulässige Bereich für die Lagertemperatur beträgt -15 °C bis +60 °C.

Besondere Vorsichtsmaßnahmen

- Das ModularEasy wurde für den Einsatz in Verbindung mit freigegebenen EATON-USV entwickelt (nähere Informationen erhalten Sie von Ihrem EATON-Händler)
- Reparatur- und Wartungsarbeiten dürfen **NUR VON AUTORISIERTEN WARTUNGSTECHNIKERN** durchgeführt werden.
- Im Inneren des ModularEasy gibt es keine Teile, **DIE VOM BENUTZER REPARIERT WERDEN KÖNNEN.**

1. Einführung	5
1.1 Umweltschutz	5
2. Übersicht	6
2.1 Standardinstallation	6
2.2 Beschreibung / Anschlusspaneele	7
2.3 Firmware-Upgrade	8
2.4 Bildschirm für parallele USV	8
2.5 Parallele Einstellung	8
3. Installation	9
3.1 Überprüfung des Geräts	9
3.2 Entpacken des ModularEasy	9
3.3 Überprüfung des Zubehörs	9
3.4 Installation am Tower	10
3.5 Rack-Einbau mit dem optionalen Schienensatz (nicht im Lieferumfang): 9RK	10
3.6 Beispiel einer 19"-Rack-Konfiguration mit optionalem 9PX EBM 240V	11
3.7 Beispiel für die Integration eines Batteriesystems mit dem optionalen Trolley Frame (nicht im Lieferumfang): BINTSYS	11
3.8 Installationsanforderungen	12
4. Anschluss der Stromkabel	14
4.1 9PXMEZ6Ki	14
4.2 9PXMEZ11Ki - mit gemeinsamer Normal und Bypass AC Source	16
4.3 9PXMEZ11Ki - mit getrennter Normal und Bypass AC Source	18
5. Betrieb	20
5.1 Inbetriebnahme des parallelen USV-Systems	20
5.2 Wartung einer USV mit ModularEasy	21
5.3 Austausch einer USV mit ModularEasy	22
6. Troubleshooting	24
7. Technische Daten	24

1. Einführung

Danke, dass Sie sich dafür entschieden haben, Ihre elektrischen Geräte mit einem EATON-Produkt zu schützen.

Die ModularEasy-Baureihe wurde mit größter Sorgfalt entwickelt.

Wir empfehlen, dass Sie sich die Zeit nehmen, dieses Handbuch gründlich zu lesen, um die vielen Möglichkeiten Ihres ModularEasy optimal zu nutzen.

Bevor Sie das ModularEasy an Ihrer USV installieren, sollten Sie unbedingt die Sicherheitsanweisungen lesen.

Befolgen Sie anschließend die Anweisungen in diesem Handbuch, das die Installations- und Bedienungsanleitung der USV ergänzt.

Besuchen Sie Webseite www.eaton.com/powerquality, um einen Überblick über das gesamte Angebot von EATON-Produkten zu erhalten, oder wenden Sie sich an Ihren EATON-Vertreter.

1.1 Umweltschutz

Umweltschutz ist ein wichtiges Anliegen der EATON-Firmenpolitik.


Die Entwicklung unserer Produkte erfolgt unter ökologischen Gesichtspunkten.


Stoffe

Dieses Produkt ist FCKW-, HFCKW- und Asbestfrei.

Verpackung

Zur besseren Abfallverwertung und Erleichterung des Recyclings sollten Sie die verschiedenen Verpackungsbestandteile trennen.

- Der von uns verwendete Karton besteht zu über 50 % aus Recycling-Karton.
- Beutel und Taschen bestehen aus Polyethylen.
- Die Verpackungsmaterialien sind recyclingfähig und mit den entsprechenden Symbolen gekennzeichnet 

Material	Abkürzung	Zahl im Symbol 
Polyethylenterephthalat	PET	01
Hochdichtes Polyethylen	HDPE	02
Polyvinylchlorid	PVC	03
Geringdichtes Polyethylen	LDPE	04
Polypropylen	PP	05
Styropor	PS	06

Bitte beachten Sie alle örtlich geltenden Vorschriften zur Entsorgung von Verpackungsmaterial.

Endverwertung



EATON verarbeitet alle Produkte am Ende ihrer Lebensdauer entsprechend den örtlich geltenden Vorschriften. EATON arbeitet mit Firmen zusammen, die unsere Produkte am Ende ihrer Lebensdauer sammeln und entsorgen.

Produkt



Das Produkt besteht aus recyclingfähigen Materialien. Beim Zerlegen und der Zerstörung sind die örtlich geltenden Vorschriften zur Abfallbehandlung zu beachten. Am Ende seiner Lebensdauer muss das Gerät zu einem Verarbeitungszentrum für elektrischen und elektronischen Abfall gebracht werden.

2. Übersicht

Das Eaton® ModularEasy ist ein wichtiger Bestandteil ihres Parallel-Systems. Es ermöglicht die Koppelung zweier USV und sogar die Wartung einer USV ohne Auswirkungen auf die angeschlossenen Lasten.

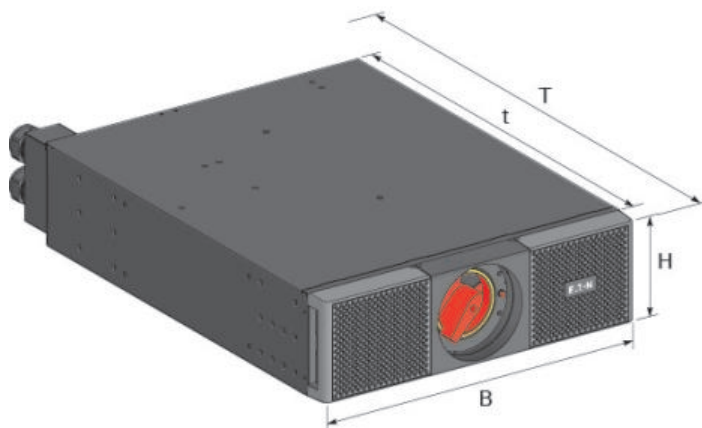
Alle Auswirkungen der USV-Wartung werden aufgefangen und Ihre Geräte werden nicht beeinträchtigt.

Neben seiner außergewöhnlichen Zuverlässigkeit bietet das EATON ModularEasy folgende besondere Vorteile:

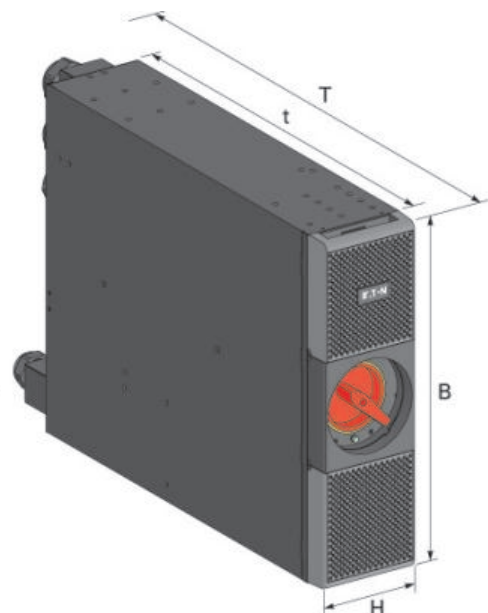
- Einfacher und schneller Anschluss an die USV über den patentierten "All in One"-Input/Output- und Signalsteckverbinder (ModularEasy mit 5/6kVA)
- Die "**Make before break**"-Funktion sichert die volle Betriebsleistung (ununterbrochene Stromversorgung), wenn von der USV auf den Bypass geschaltet wird (und umgekehrt)
- Kommunikationsfunktion mit der USV: Erkennung, ob ein ModularEasy angeschlossen ist, und der Schaltstellung (Normal oder Bypass)
- Lastanschluss sowohl über die Klemmleisten als auch über IEC-Ausgänge möglich (16A C19).

2.1 Standardinstallation

Rack-Einbau

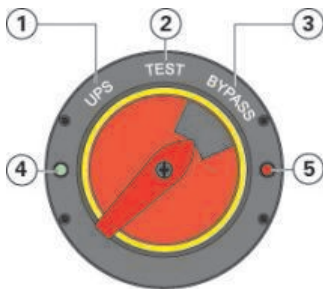


Installation am Tower



Beschreibung	Gewicht (kg/lb)	Gesamt Abmessungen (mm/Zoll) T x B x H	Rack-abmessungen (mm/Zoll) t x B x H
9PXMEZ6Ki	22.8 / 10.3	690 x 440 x 130 / 27 x 17 x 5	540 x 440 x 130 / 21,3 x 17 x 5
9PXMEZ11Ki	32.6 / 15	690 x 440 x 130 / 27 x 17 x 5	540 x 440 x 130 / 21,3 x 17 x 5

2.2 Beschreibung / Anschlusspaneele



Das ModularEasy verfügt über einen manuellen Bypass-Drehschalter mit drei Stellungen:

- ① **UPV:** die Last wird von der USV versorgt.
- ② **Test:** die Last wird direkt vom Netzeingang versorgt, **die beiden** USV werden weiter versorgt, aber ihre Outputs sind von der Last getrennt.
- ③ **Bypass:** Die Last wird direkt vom Netzeingang versorgt, **die beiden** USV sind vom Netzeingang getrennt.

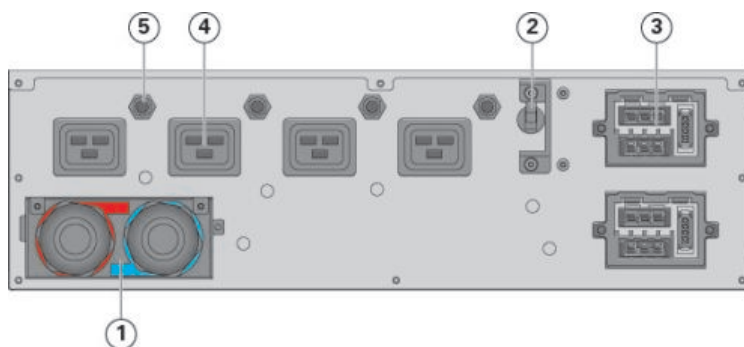
Leuchten zeigen den Betriebsstatus des ModularEasy an:

- ④ **Die grüne Leuchte "USV-Versorgung"** leuchtet, wenn mindestens eine USV verfügbar ist.
- ⑤ **Die rote Leuchte "Bypass"** leuchtet, wenn der manuelle Bypass-Schalter des ModularEasy auf TEST oder BYPASS steht. **Die Last ist nicht geschützt.**



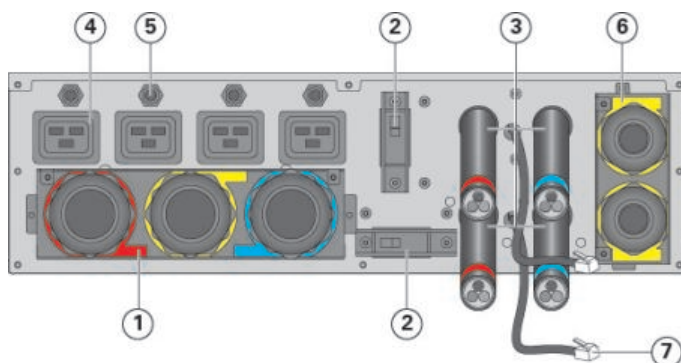
Beim Modell 9PXMEZ11Ki kann für die Last ein Bypass auf eine externe Bypass AC Source hergestellt werden (nähere Details hierzu siehe "4.3 9PXMEZ11Ki - mit getrennter Normal und Bypass AC Source", Seite 18).

9PXMEZ6Ki



- ① Input/Output-Klemmleisten
- ② USV-Output-Schalter
- ③ Input/Output-Kabel für den Anschluss an USV1 und USV2
- ④ 16A-Ausgänge
- ⑤ Trennschalter für die Auslässe
- ⑥ "Bypass" Source Input USV1 und USV2
- ⑦ Signalkabel für die Erkennung des 9PXMEZ an der USV

9PXMEZ11Ki



Ein **USV Output-Schalter** ② ermöglicht es, den Lastausgang der USV für die Wartung / den Austausch der USV zu unterbrechen. Siehe "5. Betrieb", Seite 20

ModularEasy-Statuserkennung ⑦:

Ein RJ11-Signalkabel ermöglicht die Anzeige folgender Status am USV-Display:

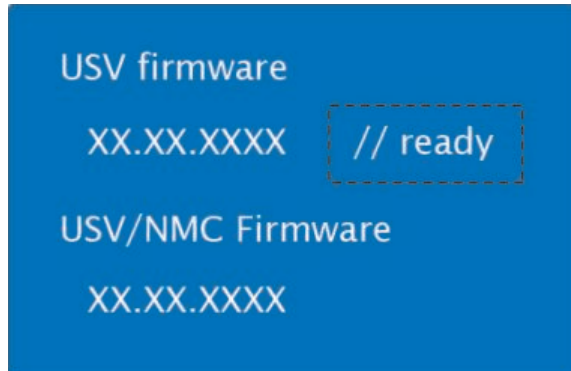
- Anschluss des ModularEasy an die USV
- Stellung des Bypass-Schalters

2. Übersicht

2.3 Firmware-Upgrade



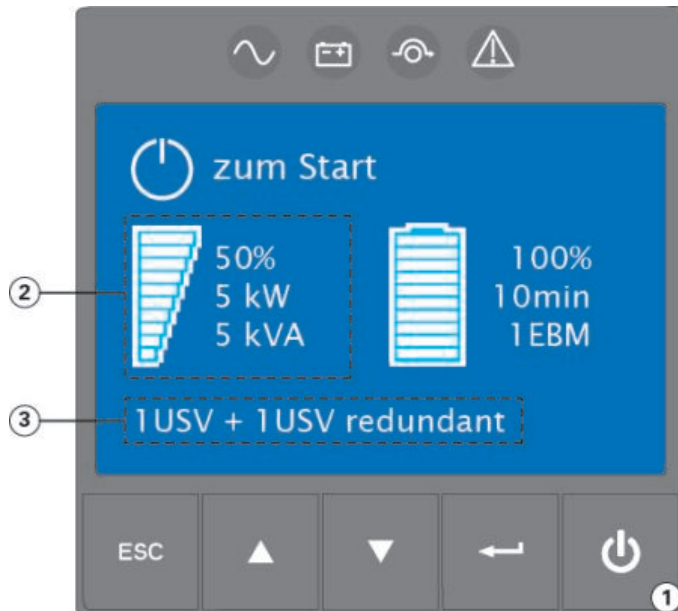
Prüfen Sie, ob mit der USV-Firmware ein paralleler Betrieb möglich ist:
Menü → Identifikation → USV/NMC Firmware.



Wenn neben der USV-Firmware-Nummer nicht "**// Ready**" angezeigt wird, kann die USV nicht parallel angeschlossen werden.

Wenden Sie sich bitte an Ihren EATON-Händler, um die neueste Version der Firmware zu erhalten.

2.4 Bildschirm für parallele USV



① Drücken Sie die Taste  einer der beiden USV, um das Parallel-System zu starten.


② Die angezeigte Leistung gilt für die USV, nicht für die Last. Die Leistung der Last ist die Summe der für USV1 und USV2 angezeigten Lasten.

③ "**1USV + 1USV redundant**" bedeutet, dass die Leistung der Last unter der Höchstleistung einer USV liegt.

"**2USV + 0USV redundant**" bedeutet, dass die Leistung der Last über der Höchstleistung einer USV liegt.

"**1USV + 0USV redundant**" bedeutet, dass nur eine USV die Last versorgt.

2.5 Parallele Einstellung

Drücken Sie die Enter-Taste () , um die Menüoptionen anzuzeigen.

Hauptmenü	Submenü	Verfügbare Einstellungen	
Einstellungen	Regelung Eing./ Ausg	Redundanz modus	[Parallel Betrieb] [Nur Redundanz]

[Parallel Betrieb]: Wird dieser Modus gewählt, ertönt kein akustischer Alarm, wenn die Leistung der Last über der maximalen Leistung einer USV liegt: "Parallel Betrieb" ist der Standardmodus.

[Nur Redundanz]: Wird dieser Modus gewählt, ertönt ein akustischer Alarm, wenn die Leistung der Last über der maximalen Leistung einer USV liegt.

3.1 Überprüfung des Geräts

Wenn das Gerät oder ein Teil davon beim Versand beschädigt wurde, sollten Sie den Versandkarton und die Verpackungsmaterialien für den Spediteur oder die Verkaufsstelle aufbewahren und einen Versandschaden anmelden. Wenn Sie nach der Annahme einen Schaden feststellen, sollten Sie Schadensersatz wegen versteckter Mängel fordern.

Schadensersatzmeldung wegen Transportschäden oder versteckter Mängel:

1. Melden Sie die Forderung innerhalb von 15 Tagen nach Erhalt des Geräts beim Spediteur.
2. Schicken Sie innerhalb von 15 Tagen eine Kopie der Schadensersatzforderung an Ihren Service-Vertreter.

3.2 Entpacken des ModularEasy

Entpacken Sie das Gerät und entfernen Sie alle Verpackungsmaterialien und den Versandkarton.

Entsorgen oder recyceln Sie die Verpackung auf verantwortliche Weise oder heben Sie sie für eine spätere Verwendung auf.

Bringen Sie das Gerät an einen geschützten Bereich, der ausreichend belüftet und frei von Feuchtigkeit, entzündlichen Gasen und korrodierenden Stoffen ist.



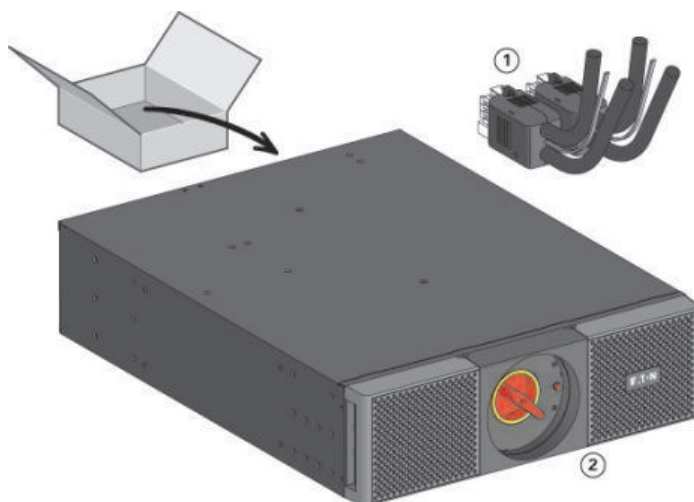
Das Verpackungsmaterial muss entsprechend der örtlich geltenden Abfallentsorgungsvorschriften beseitigt werden.

Zur Erleichterung der Sortierung sind auf allen Verpackungsmaterialien Recycling-Symbole aufgedruckt.

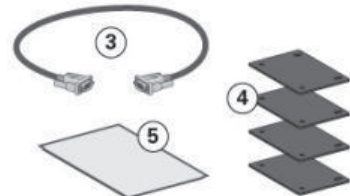
3.3 Überprüfung des Zubehörs

- Vergewissern Sie sich, dass folgende zusätzliche Teile mit dem ModularEasy geliefert wurden:

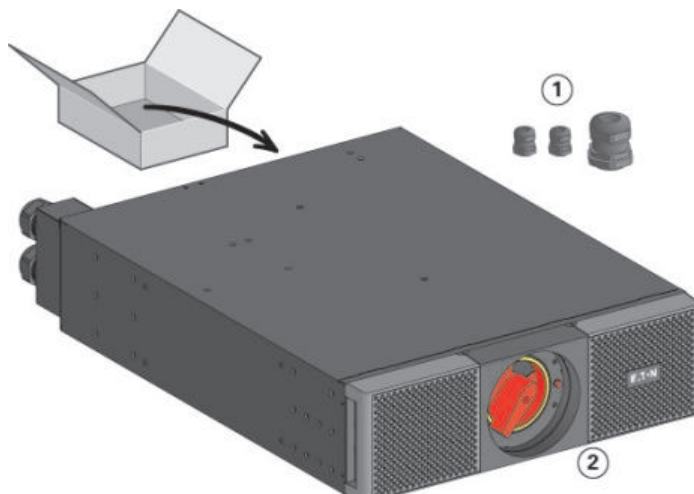
9PXMEZ6Ki



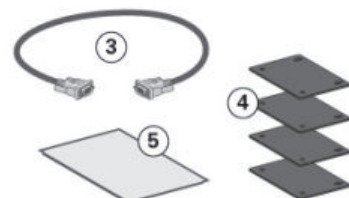
- ① Input/Output-USV-Kabel
- ② ModularEasy-Gehäuse
- ③ Paralleles 9PX-Kabel Art.-Nr.: 744-A2675
- ④ Tower- und Wandbefestigungs-Bausätze (einschließlich 4 Laschen und Schrauben)
- ⑤ Installations- und Bedienungsanleitung



9PXMEZ11Ki

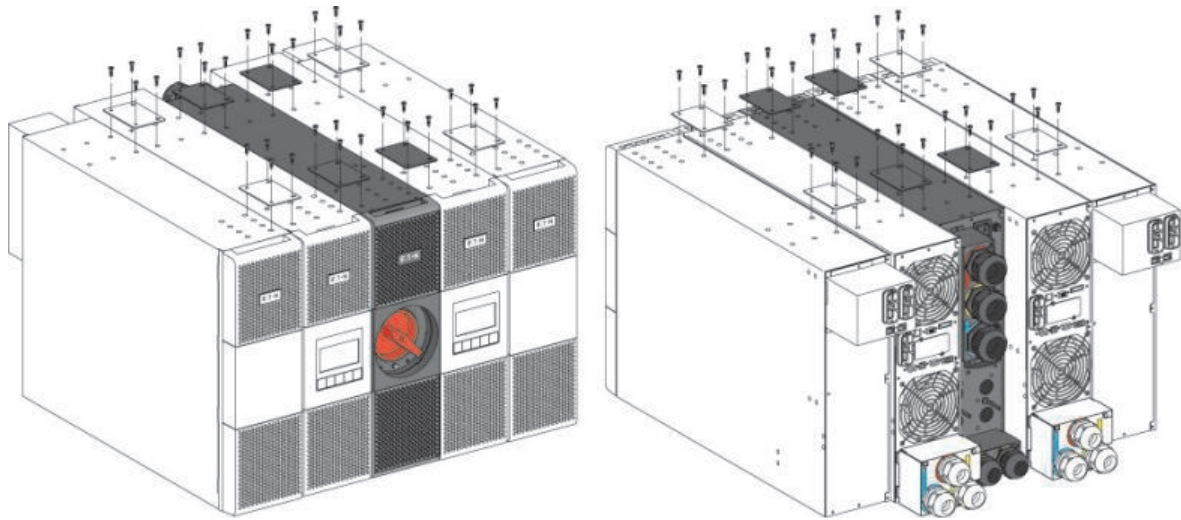


- ① Kabelverschraubung
- ② ModularEasy-Gehäuse
- ③ Paralleles 9PX-Kabel Art.-Nr.: 744-A2675
- ④ Tower- und Wandbefestigungs-Bausätze (einschließlich 4 Laschen und Schrauben)
- ⑤ Installations- und Bedienungsanleitung

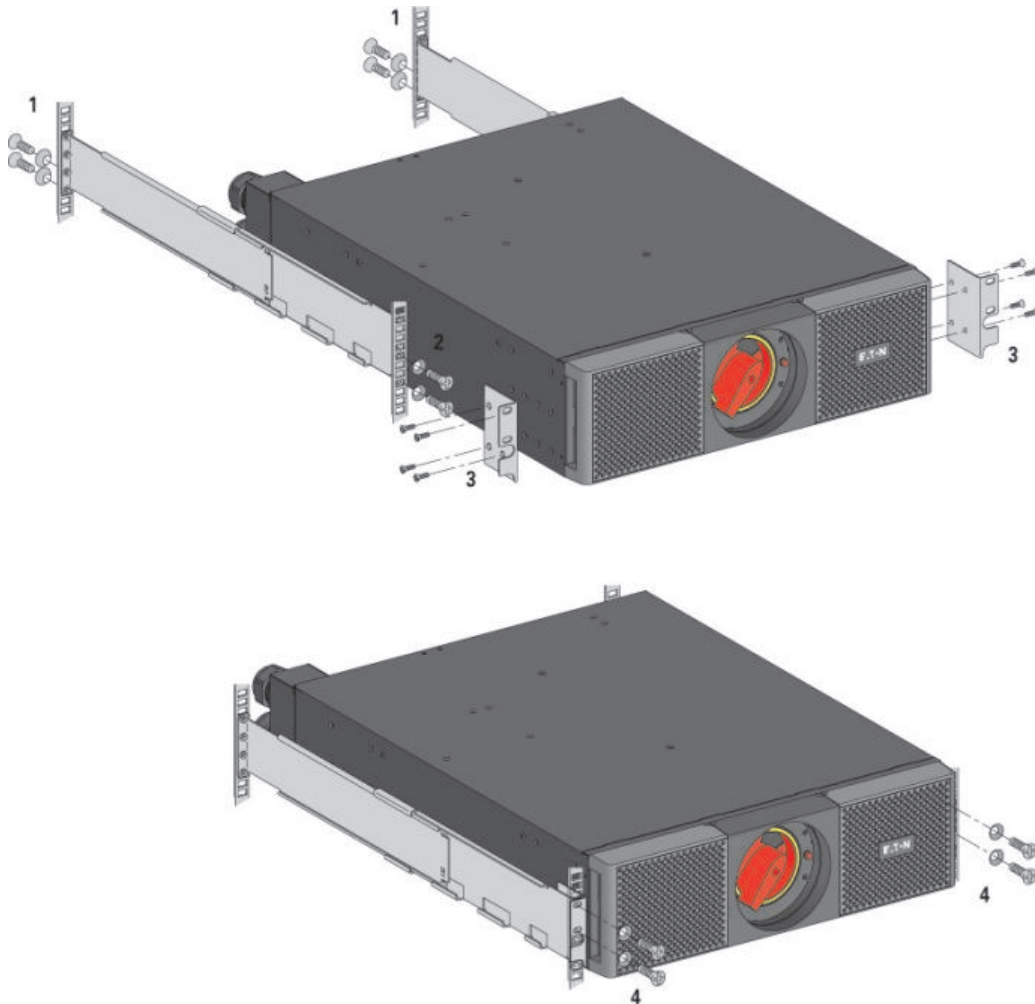


3. Installation

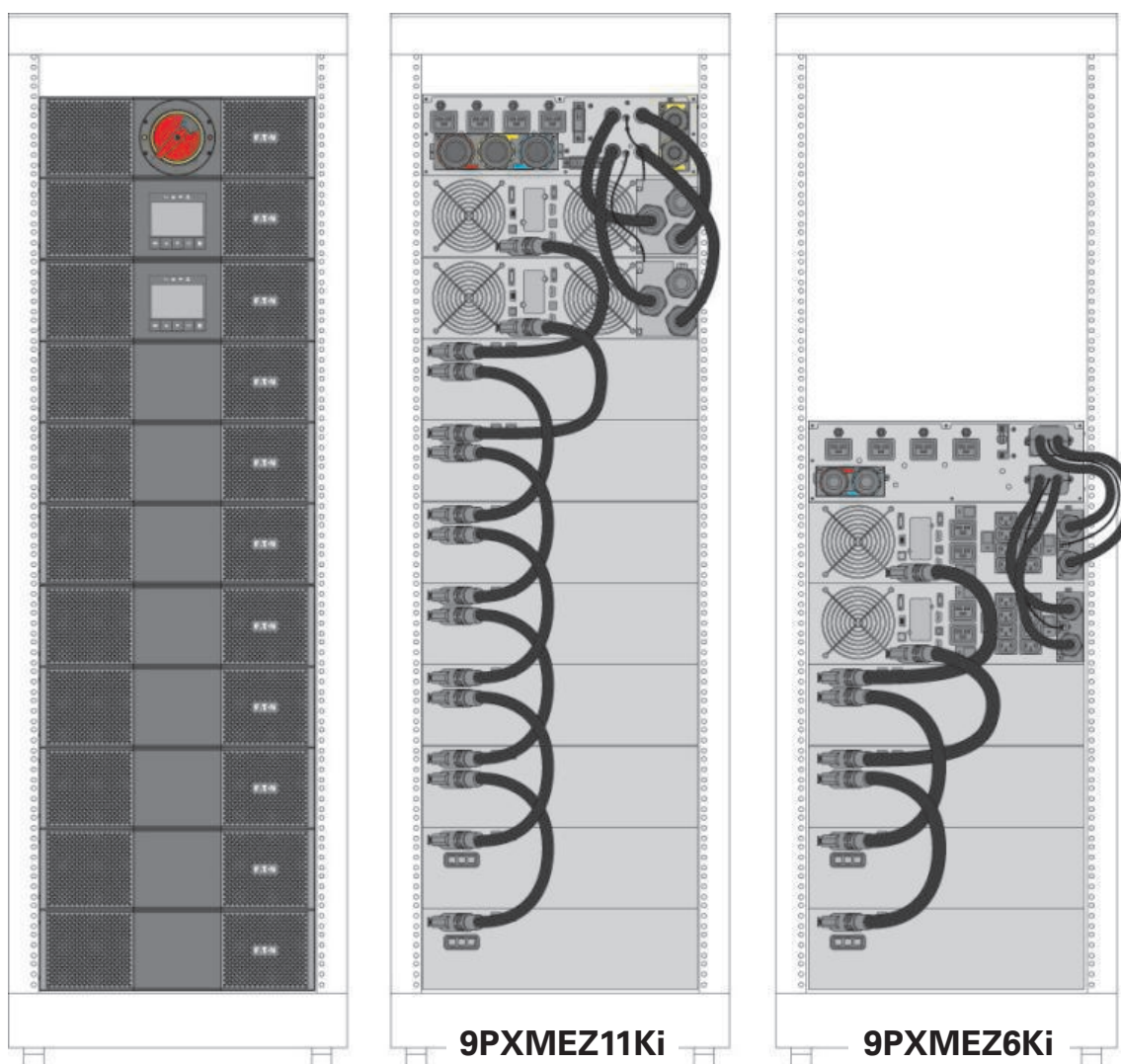
3.4 Installation am Tower



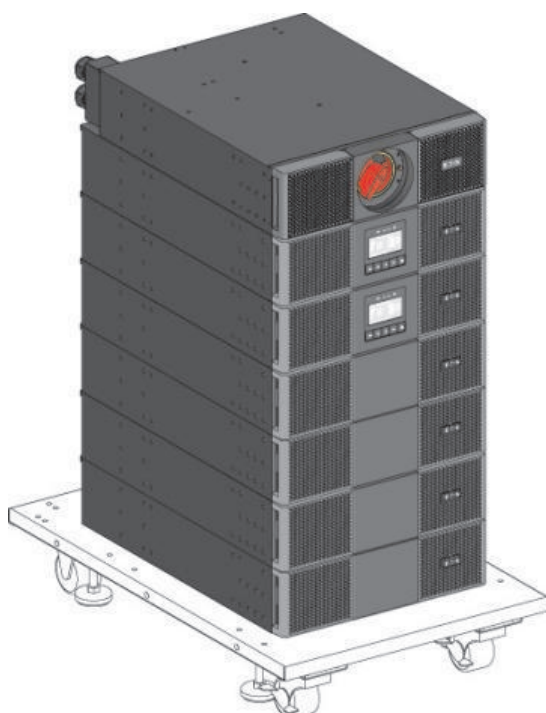
3.5 Rack-Einbau mit dem optionalen Schienensatz (nicht im Lieferumfang): 9RK



3.6 Beispiel einer 19"-Rack-Konfiguration mit optionalem 9PX EBM 240V



3.7 Beispiel für die Integration eines Batteriesystems mit dem optionalen Trolley Frame (nicht im Lieferumfang): BINTSYS



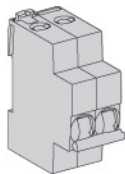
3. Installation

3.8 Installationsanforderungen

Empfohlene Schutzvorrichtungen und Kabelquerschnitte

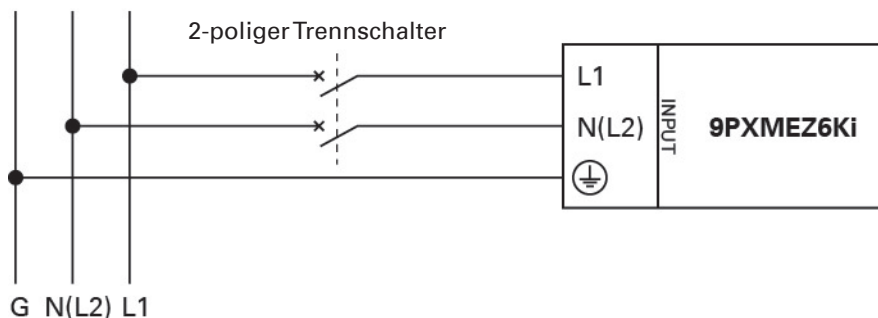
3.8.1 9PXMEZ6Ki in Verbindung mit USV 9PX6000 oder 9PX5000

- Empfohlene Schutzvorrichtungen



Kennlinie D, 63A, Parallel Betrieb

Kennlinie D, 32A, Nur Redundanz

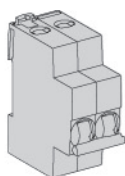


- Empfohlene Kabelquerschnitte:

	Klemmenposition	Leiterfunktion	Querschnitt Klemmenanschlussdrähte	Mindestbemessung Input-Drähte	Trennschalter Kennlinie D
9PXMEZ6Ki Parallel Betrieb	L1	Phase	4-25 mm ² (12-4 AWG)	10 mm ² (8 AWG)	63A
	N (L2)	Neutral (Phase)			
	⊕	Erde			
9PXMEZ6Ki Nur Redundanz	L1	Phase	4-25 mm ² (12-4 AWG)	6 mm ² (10 AWG)	32A
	N (L2)	Neutral (Phase)			
	⊕	Erde			

3.8.2 9PXMEZ11Ki in Verbindung mit USV 9PX8000 oder 9PX11000

- Empfohlene Schutzvorrichtungen für den gemeinsamen Input



Parallel Betrieb

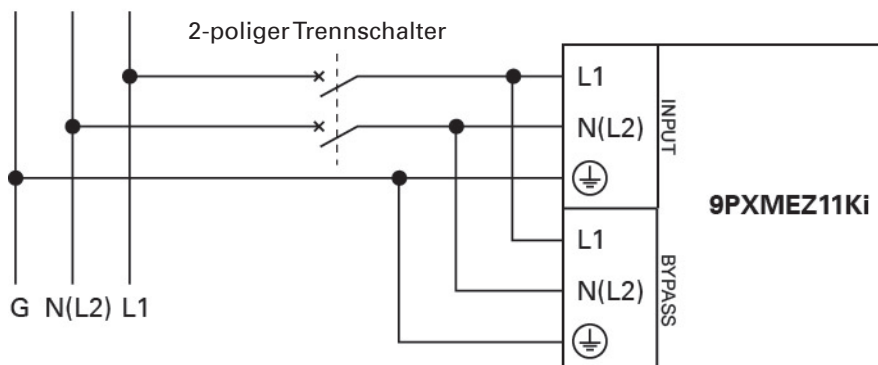
Kennlinie D, 125 A in Verbindung mit USV 9PX11000

Kennlinie D, 100 A, in Verbindung mit USV 9PX8000

Nur Redundanz

Kennlinie D, 63A, in Verbindung mit USV 9PX11000

Kennlinie D, 50 A, in Verbindung mit USV 9PX8000

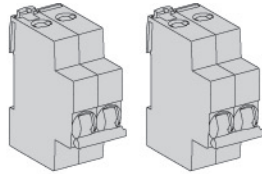


3.8 Installationsanforderungen

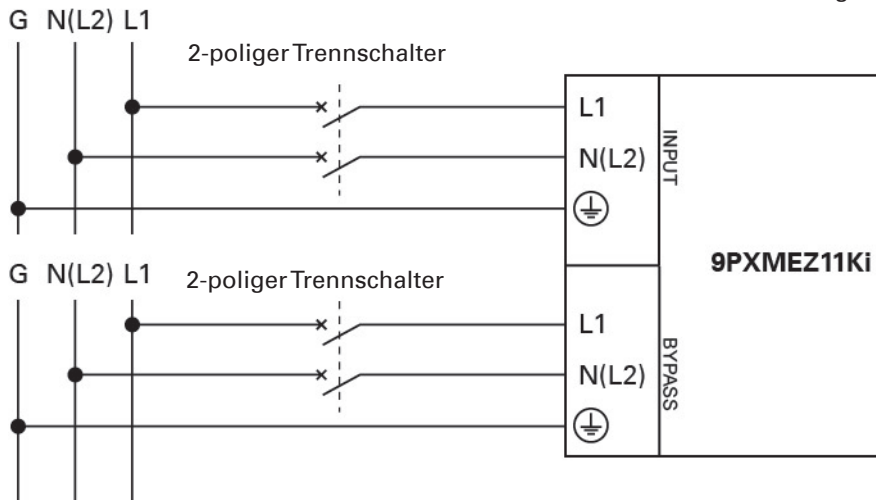
Empfohlene Schutzvorrichtungen und Kabelquerschnitte

3.8.3 9PXMEZ11Ki in Verbindung mit USV 9PX8000 oder 9PX11000

- Empfohlene Schutzvorrichtungen für getrennte Inputs



Parallel Betrieb
 Kennlinie D, 125 A in Verbindung mit USV 9PX11000
 Kennlinie D, 100 A, in Verbindung mit USV 9PX8000
 Nur Redundanz
 Kennlinie D, 63A, in Verbindung mit USV 9PX11000
 Kennlinie D, 50 A, in Verbindung mit USV 9PX8000



- Empfohlene Kabelquerschnitte:

9PXMEZ11Ki	Normal AC Source und Bypass AC Source				
	Klemmenposition	Leiterfunktion	Querschnitt Klemmenanschlussdrähte	Mindestbemessung Input-Drähte	Trennschalter Kennlinie D
Parallel Betrieb mit USV 9PX11000	L1	Phase	4-35 mm ² (12-4 AWG)	35 mm ² (1 AWG)	125A
	N (L2)	Neutral (Phase)			
	⊕	Erde			
Parallel Betrieb mit USV 9PX8000	L1	Phase	4-35 mm ² (12-4 AWG)	25 mm ² (2 AWG)	100A
	N (L2)	Neutral (Phase)			
	⊕	Erde			
Nur Redundanz mit USV 9PX11000	L1	Phase	4-35 mm ² (12-4 AWG)	10 mm ² (8 AWG)	63A
	N (L2)	Neutral (Phase)			
	⊕	Erde			
Nur Redundanz mit USV 9PX8000	L1	Phase	4-35 mm ² (12-4 AWG)	10 mm ² (8 AWG)	50A
	N (L2)	Neutral (Phase)			
	⊕	Erde			

4. Anschluss der Stromkabel



Diese Anschlussarbeiten dürfen nur von einem qualifizierten Elektriker durchgeführt werden.

Vor jeglichen Anschlussarbeiten muss sichergestellt werden, dass die vorgelagerte Schutzvorrichtung (Normal AC Source) offen "O" ist (Aus).

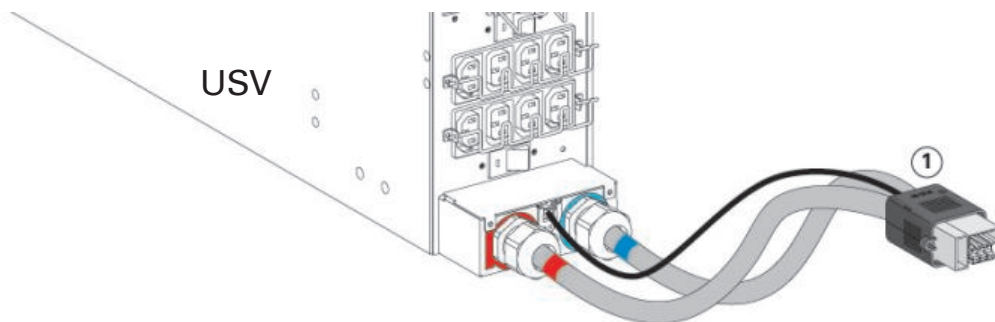


Vergewissern Sie sich, bevor Sie das ModularEasy an die USV anschließen, dass diese ordnungsgemäß abgeschaltet ist (siehe Benutzerhandbuch der USV).

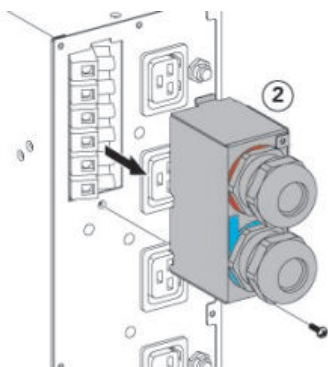
Schließen Sie immer als Erstes das Erdungskabel an.

4.1 9PXMEZ6Ki

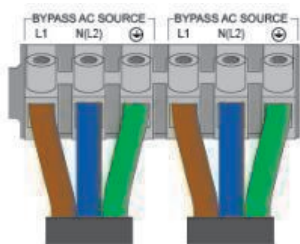
1. Schließen Sie die 2 Stromkabel des I/O-Kabels ① an den I/O-Klemmleisten der USV an. Beachten Sie die Farbcodierung an den Kabeln und der I/O-Abdeckung der USV (blau für USV-Input / rot USV-Output) – Nähere Informationen zur Prüfung des Anschlusses an die USV-Klemmenblöcke finden Sie im Benutzerhandbuch der USV.
2. Schließen Sie das ModularEasy-Erkennungskabel des I/O-Kabels ① an der dafür vorgesehen Steckbuchse der USV an ("MBP erkannt" siehe das Benutzerhandbuch der USV "614-09200").



3. Ziehen Sie die ModularEasy I/O-Abdeckung ② ab, nachdem Sie die Schraube entfernt haben, um die ModularEasy-Klemmleisten zugänglich zu machen.



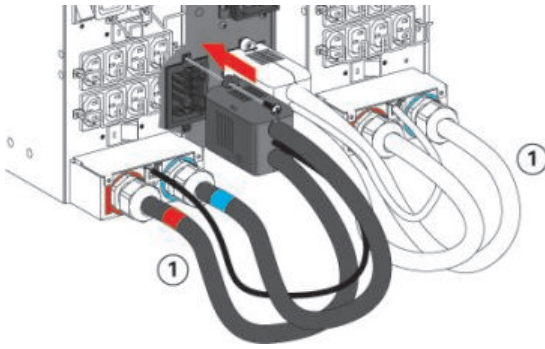
4. Führen Sie das Kabel der Normal AC Source durch die Kabelverschraubung ein.
5. Schließen Sie die Drähte an die Klemmen für die Normal AC Source (Input) an.
6. Führen Sie das Output-Kabel durch die Kabelverschraubung ein.
7. Schließen Sie die Drähte an den Output-Klemmen an.



8. Ziehen Sie die Kabelverschraubungen fest.
9. Schieben Sie die I/O-Abdeckung ② wieder auf und sichern Sie sie mit der Schraube.

4. Anschluss der Stromkabel

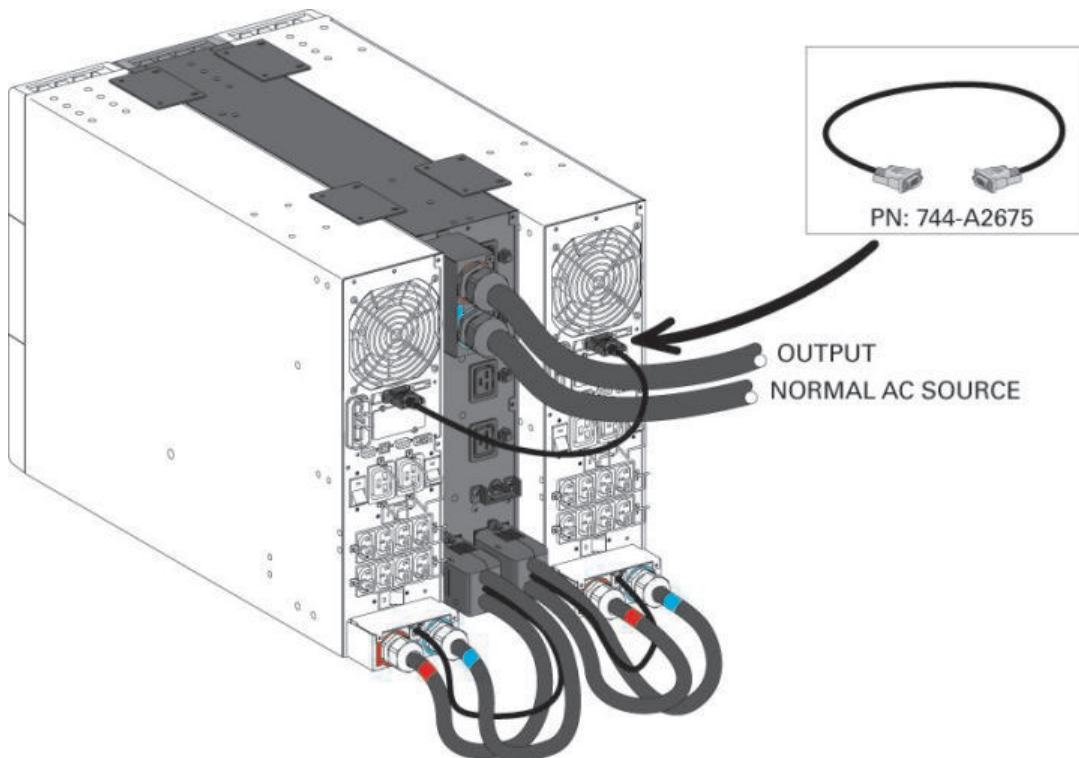
10. Schließen Sie den Stecker des I/O-Kabels ① am ModularEasy an und sichern Sie es mit den beiden Fixierschrauben.



11. Verbinden Sie die beiden USV mit dem parallelen 9PX-Kabel und sichern Sie es.



Für die Erstinbetriebnahme und eine optimale Funktion ist die Verwendung des speziellen parallelen Kabels zwingend erforderlich.

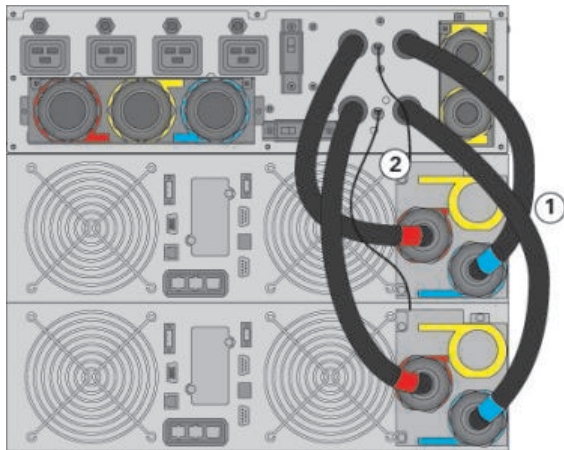


4. Anschluss der Stromkabel

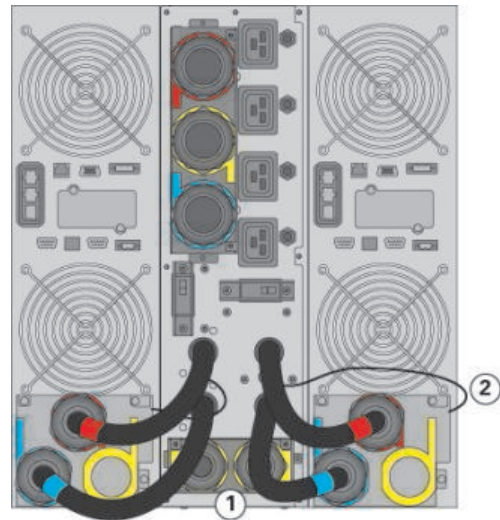
4.2 9PXMEZ11Ki - mit gemeinsamer Normal und Bypass AC Source

1. Schließen Sie die 4 integrierten Stromkabel ① an den I/O-Klemmleisten von USV1 und USV2 an. Beachten Sie die Farbcodierung an den Kabeln und der I/O-Abdeckung der USV (blau für UPS Input / rot UPS Output) – nicht die USV-Eingang Bypass AC-Jumper zu entfernen in der USV I / O-Versicherung - Nähere Informationen zur Prüfung des Anschlusses an die USV-Klemmenblöcke finden Sie im Benutzerhandbuch der USV.
2. Schließen Sie die ModularEasy-Erkennungskabel ② an der dafür vorgesehenen USV-Steckbuchse an ("MBP erkannt", siehe das USV-Benutzerhandbuch "614-09260").

Rack-Einbau

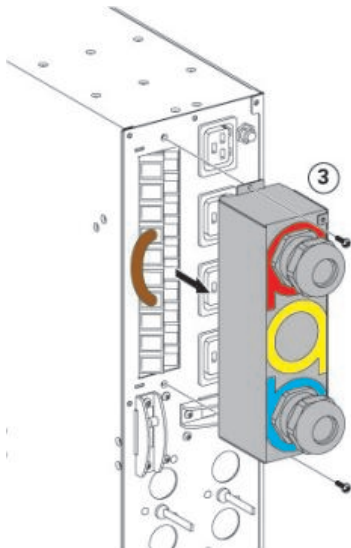


Installation am Tower



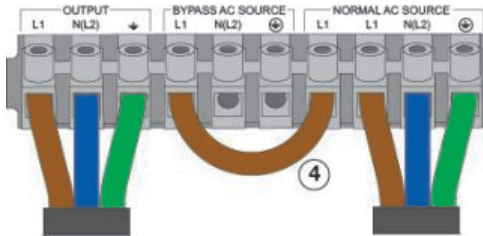
Das integrierte Netzkabel darf nicht verlängert oder verkürzt werden.

3. Ziehen Sie die ModularEasy I/O-Abdeckung ③ ab, nachdem Sie die 2 Schrauben entfernt haben, um die ModularEasy-Klemmleisten zugänglich zu machen.



4. Anschluss der Stromkabel

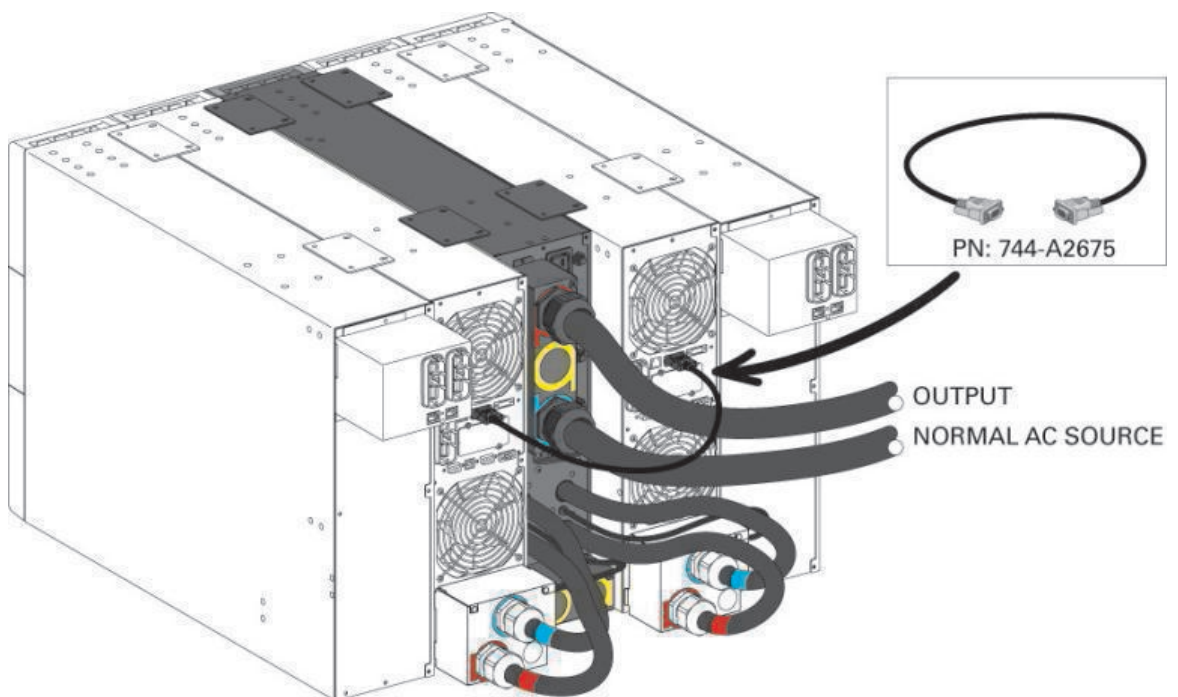
4. Führen Sie das Kabel der Normal AC Source durch die Kabelverschraubung ein.
5. Schließen Sie die Drähte an den Klemmen für die Normal AC Source (Input) an (entfernen Sie nicht den Input Bypass AC Jumper ④ und den USV Input Bypass Jumper auf der Innenseite der I/O Abdeckung der USV, siehe das Benutzerhandbuch der USV).
6. Führen Sie das Output-Kabel durch die Kabelverschraubung ein.
7. Schließen Sie die Drähte an den Output-Klemmen an.



8. Ziehen Sie die Kabelverschraubungen fest.
9. Schieben Sie die I/O-Abdeckung ③ wieder auf und sichern Sie sie mit den 2 Schrauben.
10. Prüfen Sie die Verbindung zwischen ModularEasy und USV.
11. Verbinden Sie die beiden USV mit dem parallelen 9PX-Kabel und sichern Sie es.



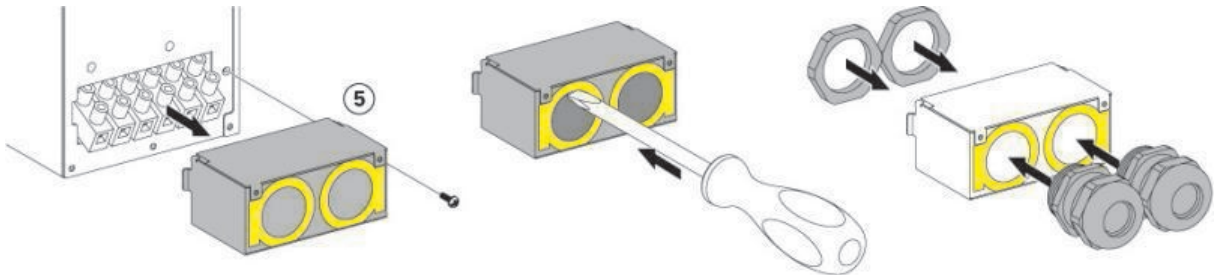
Für die Erstinbetriebnahme und eine optimale Funktion ist die Verwendung des speziellen parallelen Kabels zwingend erforderlich.



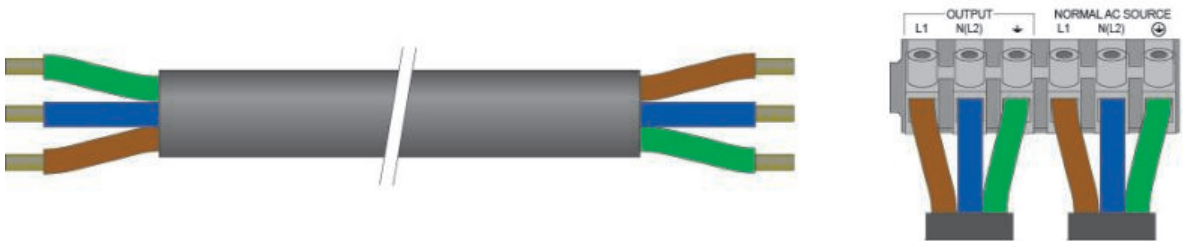
4. Anschluss der Stromkabel

4.3 9PXMEZ11Ki - mit getrennter Normal und Bypass AC Source

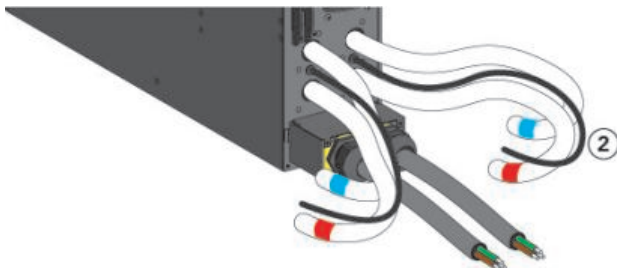
1. Entfernen Sie die Schraube an der Bypass-Input Abdeckung ⑤ des ModularEasy und ziehen Sie sie ab.
2. Stanzen Sie die zwei Bypass Input-Ausbruchstellen an der Bypass-Abdeckung ⑤ des ModularEasy aus und setzen Sie die zwei mitgelieferten kleinen Kabelverschraubungen ein.



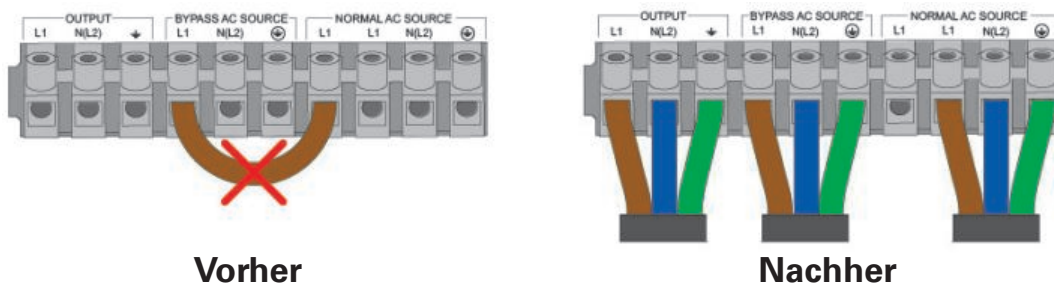
3. Führen Sie durch jede Kabelverschraubung in der Bypass-Input Abdeckung ⑤ des ModularEasy ein Stromversorgungskabel. Die Kabel gehören nicht zum Lieferumfang. Wir empfehlen die Verwendung eines 3-adrigen Kabels mit 50 cm Länge und folgendem Querschnitt: 10 mm² (8 AWG).



4. Schließen Sie die Drähte an den "Input BP"-Klemmen unter der Bypass Input-Abdeckung ⑤ des ModularEasy an.
5. Ziehen Sie die Kabelverschraubung fest.
6. Schieben Sie die ModularEasy Bypass Input Abdeckung ⑤ wieder auf und sichern Sie sie mit der Schraube.

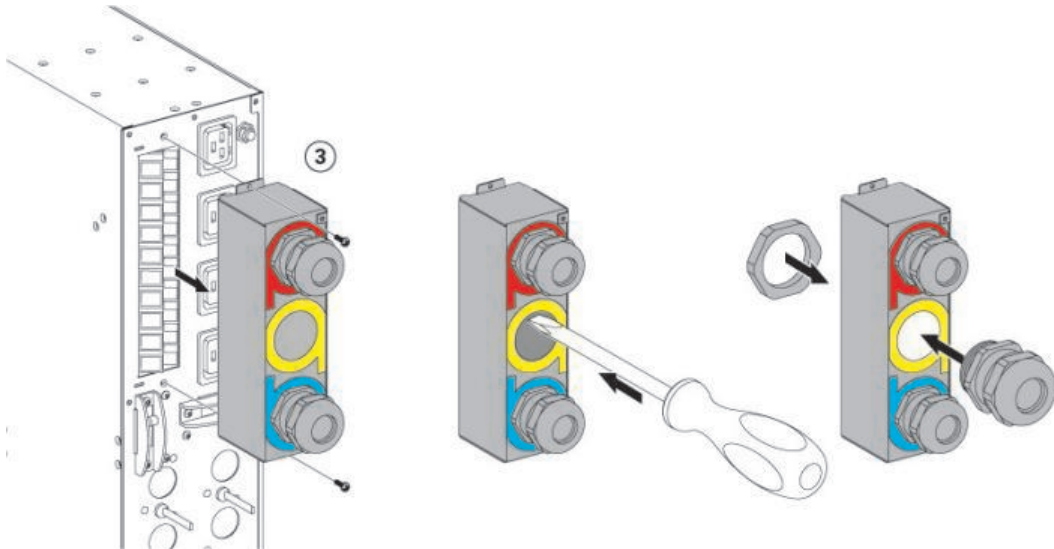


7. Schließen Sie die 4 integrierten Netzstromkabel und die 2 zuvor installierten Bypass Input-Kabel an den I/O-Klemmleisten von USV1 und USV2 an. Beachten Sie die Farbcodierung an den Kabeln und der I/O-Abdeckung der USV (blau für UPS Input / rot UPS Output, Gelb für UPS Input Bypass) – Nähere Informationen zur Prüfung des Anschlusses an die USV-Klemmleisten finden Sie im Benutzerhandbuch der USV. Vergessen Sie nicht, **den Input Bypass AC Jumper an der USV zu entfernen**.
8. Schließen Sie das ModularEasy-Erkennungskabel ② an den dafür vorgesehenen USV-Anschluss an (siehe das USV-Benutzerhandbuch).
9. Ziehen Sie die ModularEasy I/O-Abdeckung ③ ab, nachdem Sie die 2 Schrauben entfernt haben, um die ModularEasy-Klemmleisten zugänglich zu machen.



4. Anschluss der Stromkabel

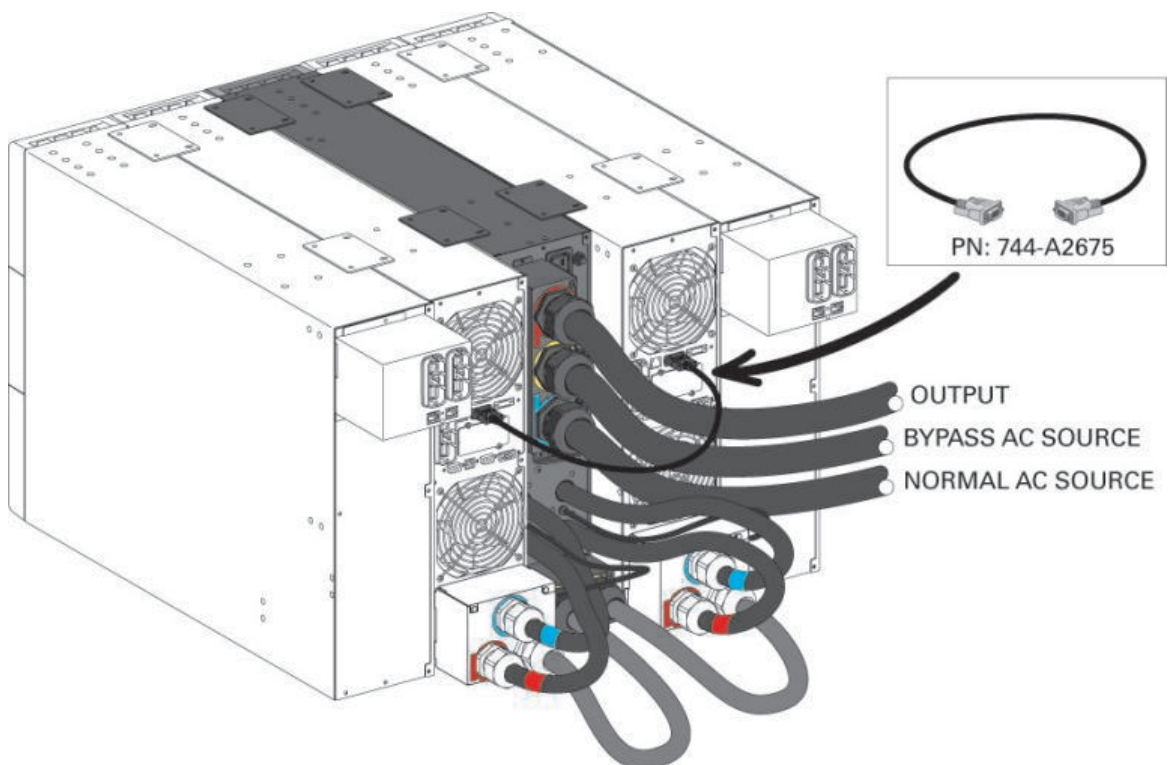
10. Entfernen Sie den Input Bypass AC Jumper ④.
11. Stanzen Sie die Bypass AC Source-Ausbruchsstelle der I/O-Abdeckung ③ des ModularEasy heraus und setzen Sie die mitgelieferte Kabelverschraubung ein.



12. Führen Sie das Kabel der Normal AC Source durch die Kabelverschraubung ein.
13. Schließen Sie die Drähte an die Klemmen für die Normal AC Source (Input) an.
14. Führen Sie das Kabel der Bypass AC Source durch die Kabelverschraubung ein.
15. Schließen Sie die Drähte an die Klemmen für die Bypass AC Source (Input BP) an.
16. Führen Sie das Output-Kabel durch die Kabelverschraubung ein.
17. Schließen Sie die Drähte an den Output-Klemmen an.
18. Ziehen Sie die Kabelverschraubungen fest.
19. Schieben Sie die I/O-Abdeckung ③ wieder auf und sichern Sie sie mit den Schrauben.
20. Prüfen Sie die Verbindung zwischen ModularEasy und USV.
21. Verbinden Sie die beiden USV mit dem parallelen 9PX-Kabel und sichern Sie es.



Für die Erstinbetriebnahme und eine optimale Funktion ist die Verwendung des speziellen parallelen Kabels zwingend erforderlich.



5. Betrieb

5.1 Inbetriebnahme des parallelen USV-Systems



Vergewissern Sie sich im "Nur Redundanz", dass die Gesamtnennlast der angeschlossenen Geräte nicht die Leistung einer USV übersteigt, um einen Überlastalarm zu vermeiden.
Vergewissern Sie sich im "Parallel Betrieb", dass die Gesamtnennlast der angeschlossenen Geräte nicht die Leistung der beiden USV übersteigt, um einen Überlastalarm zu vermeiden.

1. Prüfen Sie, ob beide USV ordnungsgemäß am ModularEasy angeschlossen sind (siehe "4. Anschluss der Stromkabel", Seite 14).

Wenn die USV über Ausgänge verfügt, können diese Ausgänge nicht mehr verwendet werden (Lasten dürfen nur an den ModularEasy-Ausgängen oder den ModularEasy Output-Klemmen angeschlossen werden).



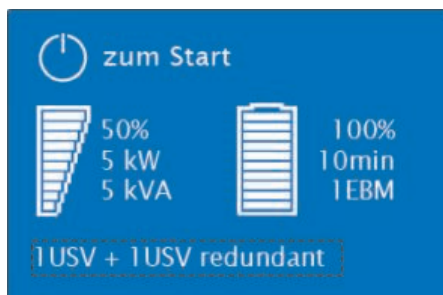
Prüfen Sie, ob die beiden USV mit dem parallelen 9PX-Kabel verbunden sind.



Art.-Nr: 744-A2675



2. Prüfen Sie, ob die Klemmleisten des ModularEasy an die AC source und die Bypass AC Source angeschlossen sind. (*)
3. Prüfen Sie, ob der manuelle Bypass-Schalter am ModularEasy in der "**UPS**"-Stellung steht.
4. Stellen Sie beim 9PXMEZ6Ki den USV Output-Schalter am ModularEasy auf "I" (Ein).
Stellen Sie beim 9PXMEZ11Ki die USV Output-Schalter am ModularEasy auf "I" (Ein).
5. Stellen Sie den vorgeschalteten Trennschalter für die Wechselstromquelle (nicht im Lieferumfang) auf "I" (Ein), um die Netzstromversorgung einzuschalten (siehe "3.4 Installation am Tower", Seite 10).
Stellen Sie den vorgeschalteten Trennschalter für die Bypass Source (nicht im Lieferumfang) auf "I" (Ein), um die Bypass-Stromversorgung einzuschalten (*).
6. Prüfen Sie, ob die beiden USV ordnungsgemäß mit Strom versorgt werden (das USB-Display muss leuchten)
7. Prüfen Sie die Anzeige für zwei USV "**1USV + 1USV redundant**". Wenn dies nicht angezeigt wird, müssen Sie vor den nächsten Schritten Folgendes prüfen:



a) Die beiden USV sind mit dem parallelen Kabel verbunden, Art.-Nr.: 744-A2675

b) Mit der USV-Firmware ist ein paralleler Betrieb möglich:

Menü → Identifikation → USV/NMC Firmware.

Wenn direkt neben der USV-Firmwareversion nicht "**// Ready**" angezeigt wird, müssen Sie sich an Ihren EATON-Händler wenden, um die aktuelle Firmwareversion herunterzuladen.

8. Wählen Sie den Modus "**Nur Redundanz**" oder "**Parallel Betrieb**"

im Menü → Einstellungen → Regelung Eing./Ausg → Redundanz modus.

- "**Parallel Betrieb**" ist der Standardmodus. Bei parallelem Betrieb ertönt kein akustischer Alarm, wenn die Leistung der Last über der maximalen Leistung einer USV liegt:
- Im "**Nur Redundanz**" ertönt ein akustischer Alarm, wenn die Leistung der Last über der maximalen Leistung einer USV liegt.

9. Drücken Sie die Taste "**ON**" einer der beiden USV, um das Parallel-System zu starten.

(*) **nur wenn die Option Bypass AC Source angeschlossen ist (nur 9PXMEZ11Ki).**

5.2 Wartung einer USV mit ModularEasy

Wartung einer USV:

1. Versetzen Sie die beiden USV in den "**internen Bypass-Modus**" (siehe das Benutzerhandbuch der USV)
2. Prüfen Sie am USV-Display, ob sich die beiden USV im Bypass-Modus befinden (siehe das Benutzerhandbuch der USV)
3. Setzen Sie den manuellen Bypass-Schalter am ModularEasy auf die Stellung "Test": Die **rote Leuchte "Bypass-Modus"** am ModularEasy leuchtet auf und zeigt an, dass die Last direkt von der Wechselstromquelle oder von der optionalen Bypass AC Source am 9PXMEZ11Ki versorgt wird.
4. Um die USV einzeln zu testen, muss der USV Output-Schalter am ModularEasy auf "0" (AUS) gestellt werden. Um beide USV im Parallelbetrieb zu testen, muss der USV Output-Schalter am ModularEasy auf "1" (ON) bleiben.
5. Führen Sie die Wartungsarbeiten an der USV durch (siehe das Benutzerhandbuch der USV)



Zurück zum Normalbetrieb:

1. - **9PXMEZ6Ki**: Stellen Sie den "USV Output"-Schalter am ModularEasy auf "I" (Ein).
- **9PXMEZ11Ki**: Stellen Sie die beiden "USV Output"-Schalter am ModularEasy auf "I" (Ein).
2. Prüfen Sie am USV-Display, ob sich die USV im Bypass-Modus befindet (siehe das Benutzerhandbuch der USV).

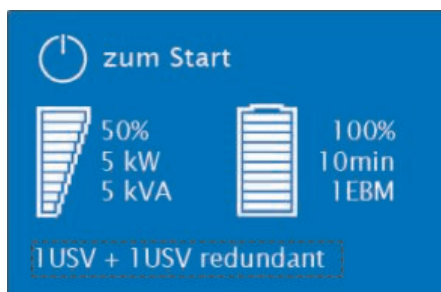


3. Prüfen Sie, ob das parallele 9PX-Kabel ordnungsgemäß angeschlossen und gesichert ist.



Art.-Nr: 744-A2675

4. Prüfen Sie die Anzeige für zwei USV "**1USV + 1USV redundant**". Wenn dies nicht angezeigt wird, müssen Sie vor den nächsten Schritten Folgendes prüfen:



- a) Die beiden USV sind mit dem parallelen Kabel verbunden, Art.-Nr.: 744-A2675
 - b) Mit der USV-Firmware ist ein paralleler Betrieb möglich:
Menü → Identifikation → USV/NMC Firmware.
Wenn direkt neben der USV-Firmwareversion nicht "**// Ready**" angezeigt wird, müssen Sie sich an Ihren EATON-Händler wenden, um die aktuelle Firmwareversion herunterzuladen.
5. Prüfen Sie, ob die **grüne Leuchte "USV-Modus"** am ModularEasy leuchtet und damit anzeigt, dass die USV-Stromversorgung am ModularEasy-Output verfügbar ist.



Wichtig: Fahren Sie nicht mit dem nächsten Schritt fort, wenn die **grüne Leuchte "USV-Modus"** am ModularEasy aus ist (der Laststrom fällt aus)

6. Setzen Sie den manuellen Bypass-Schalter am ModularEasy auf die Stellung "**UPS**": Die **rote Leuchte "Bypass-Modus"** am ModularEasy verlöscht und zeigt damit an, dass die Last jetzt von der USV versorgt wird.
7. Versetzen Sie die USV in den "**Online**"-Betrieb (siehe das Benutzerhandbuch der USV).
8. Prüfen Sie am USV-Display, ob sich die USV im Onlinebetrieb befindet (siehe das Benutzerhandbuch der USV).


Die Last wird von der USV geschützt.

5. Betrieb

5.3 Austausch einer USV mit ModularEasy

5.3.1 Entfernen eine defekten USV:



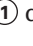
1. Versetzen Sie die USV in den "**internen Bypass-Modus**" (siehe das Benutzerhandbuch der USV)
2. Prüfen Sie am USV-Display, ob sich die USV im Bypass-Modus befindet (siehe das Benutzerhandbuch der USV).
3. Setzen Sie den manuellen Bypass-Schalter am ModularEasy auf die Stellung "**Bypass**":
Die **rote Leuchte "Bypass-Modus"** am ModularEasy leuchtet auf und zeigt an, dass die Last direkt von der Wechselstromquelle oder nur von der optionalen Bypass AC Source am 9PXMEZ11Ki versorgt wird.
4. Warten Sie ca. 30 Sekunden, bis die USV abschaltet.
5. Vergewissern Sie sich, dass das USV-Display nicht mehr leuchtet. Falls die USV immer noch leuchtet: Prüfen Sie mithilfe des USV-Benutzerhandbuchs den "Schlaf Modus" der USV. Fahren Sie nicht mit dem nächsten Schritt fort, falls das Display noch leuchtet.
6. Stellen Sie beim 9PXMEZ6Ki den USV Output-Schalter am ModularEasy auf "0" (AUS) oder stellen Sie beim 9PXMEZ11Ki die beiden USV Output-Schalter am ModularEasy auf "0" (AUS).
7. Klemmen Sie alle internen (*) und externen Batterien der defekten USV ab.
(*) nur bei USV 9PX5000 und 9PX6000.
8. Prüfen Sie, ob die Stromversorgung wirklich vollständig unterbrochen ist, indem Sie 5 Sekunden lang auf die EIN/AUS-Taste  der defekten USV drücken.
Die USV darf nicht einschalten.
9. Vergewissern Sie sich, dass das USV-Display weiterhin nicht leuchtet.

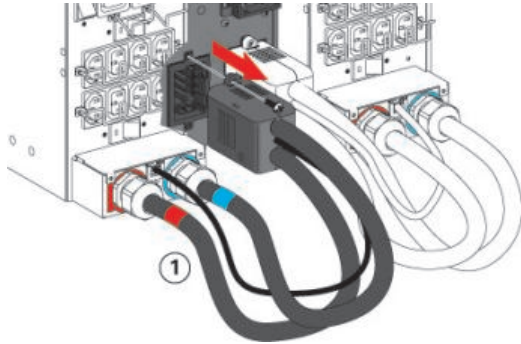


Wichtig: Fahren Sie nicht mit dem nächsten Schritt fort, falls das Display leuchtet.

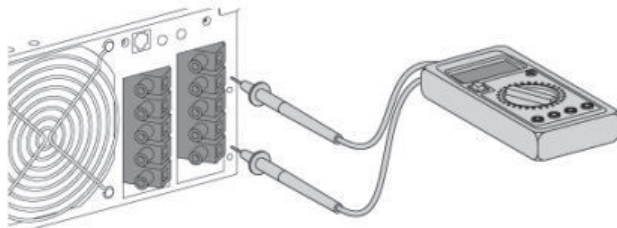
Jetzt kann die USV abgetrennt werden, wie nachstehend beschrieben:



5.3.2 9PXMEZ6Ki

- Ziehen Sie als erstes das I/O-Kabel  der defekten USV am ModularEasy ab, nachdem Sie die beiden Schrauben entfernt haben.



- Öffnen Sie die Abdeckung der I/O-Klemmleisten an der defekten USV und prüfen Sie mit einem Sicherheitsstromtester, ob noch gefährliche Spannungen vorhanden sind.



- Ziehen Sie das I/O-Kabel  ab und schließen Sie es an einer neuen USV an.
- Schließen Sie das I/O-Kabel  der neuen USV am ModularEasy an.

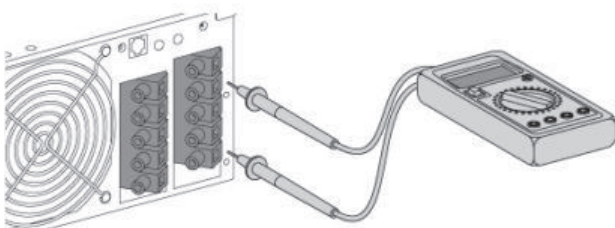


Risiko hoher Spannungen und des Lastverlusts: Betätigen Sie nicht den manuellen Bypass-Schalter des ModularEasy, wenn an den USV-Klemmleisten kein I/O-Kabel  angeschlossen ist.

5.3 Austausch einer USV mit ModularEasy

5.3.3 9PXMEZ11Ki

- Öffnen Sie die Abdeckung der I/O-Klemmleisten an der defekten USV und prüfen Sie mit einem Sicherheitsstromtester, ob noch gefährliche Spannungen vorhanden sind.



- Ziehen Sie das Stromversorgungskabel des ModularEasy und das ModularEasy-Erkennungskabel an der defekten USV ab.
- Schließen Sie das Stromversorgungskabel des ModularEasy und das ModularEasy-Erkennungskabel sofort an der neuen USV an. Wenn es nicht möglich ist, die ModularEasy-Stromversorgungsleitungen sofort wieder anzuschließen, müssen die 3 Adern zusammengeschlossen werden (Lichtstrom- und Neutralleiter mit Erdungsleiter verbunden), um Stromschläge zu vermeiden, und später an eine neue USV angeschlossen werden.



Risiko hoher Spannungen und des Lastverlusts: Betätigen Sie den manuellen Bypass-Schalter am ModularEasy nicht, wenn keine USV an den ModularEasy-Klemmleisten angeschlossen ist.



5.3.4 Zurück zum Normalbetrieb:

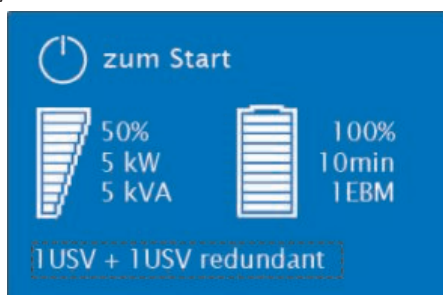
- Prüfen Sie, ob die neue USV ordnungsgemäß an das ModularEasy angeschlossen ist (siehe vorstehendes Kapitel 4.1, 4.2, 4.3).
- Stellen Sie beim 9PXMEZ6Ki den "USV Output"-Schalter am ModularEasy auf "I" (Ein). Stellen Sie beim 9PXMEZ11Ki die beiden "USV Output"-Schalter am ModularEasy auf "I" (Ein).
- Prüfen Sie, ob die parallelen 9PX-Kabel ordnungsgemäß angeschlossen und gesichert sind (Art.-Nr.: 744-A2675).
- Stellen Sie den manuellen Bypass-Schalter am ModularEasy auf "Test":
- Vergewissern Sie sich, dass die USV ordnungsgemäß mit Spannung versorgt wird (das USV-Display leuchtet.)
- Prüfen Sie die Anzeige für zwei USV "**1USV + 1USV redundant**".



Art.-Nr: 744-A2675



Wenn dies nicht angezeigt wird, müssen Sie vor den nächsten Schritten Folgendes prüfen:



a) Die beiden USV sind mit dem parallelen Kabel verbunden, Art.-Nr.: 744-A2675

b) Mit der USV-Firmware ist ein paralleler Betrieb möglich:

Menü → Identifikation → USV/NMC Firmware.

Wenn direkt neben der USV-Firmwarenummer nicht "**// Ready**" angezeigt wird, müssen Sie sich an Ihren EATON-Händler wenden, um die aktuelle Firmwareversion herunterzuladen.

- Drücken Sie die Taste "**ON**" einer der beiden USV, um das Parallel-System zu starten.
- Versetzen Sie die USV in den "**internen Bypass-Modus**" (siehe das Benutzerhandbuch der USV)
- Prüfen Sie am USV-Display, ob sich die USV im Bypass-Modus befindet (siehe das Benutzerhandbuch der USV)
- Prüfen Sie, ob die **grüne Leuchte "USV-Modus"** am ModularEasy leuchtet und damit anzeigt, dass die USV-Stromversorgung am ModularEasy-Output verfügbar ist.

Wichtig: Fahren Sie nicht mit dem nächsten Schritt fort, wenn die **grüne Leuchte "USV-Modus"** am ModularEasy immer noch aus ist.

11. Stellen Sie den manuellen Bypass-Schalter am ModularEasy auf "**USV**": Die **rote Leuchte "Bypass-Modus"** am ModularEasy verlöscht und zeigt damit an, dass die Last jetzt von der USV versorgt wird.

12. Versetzen Sie die USV in den "**Onlinebetrieb**" (siehe das Benutzerhandbuch der USV).

13. Prüfen Sie am USV-Display, ob sich die USV im Onlinebetrieb befindet (siehe das Benutzerhandbuch der USV).

Die Last wird jetzt von der USV geschützt.

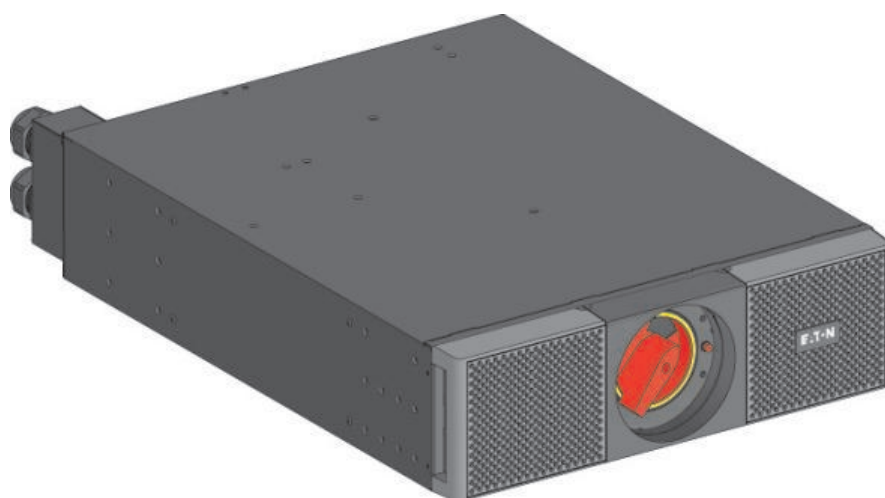


6. Troubleshooting

Problem	Mögliche Ursache	Maßnahme
An einer USV wird angezeigt: Load unbalance (Lastungleichgewicht)	Einer der "USV Output"-Schalter auf der Rückseite des ModularEasy steht auf AUS.	Schalten Sie den "USV Output"-Schalter am ModularEasy ein.
Die Firmware kann nicht heruntergeladen werden.	Eine der beiden USV ist Online oder im Batteriebetrieb.	Wählen Sie den Standby- oder Bypassmodus

7. Technische Daten

	9PXMEZ6Ki	9PXMEZ11Ki
Input Bypass		
	NV	Klemmleisten
Output		
	4 IEC 16A + Klemmleisten	4 IEC 16A + Klemmleisten
Außenabmessungen T x B x H (mm / Zoll)		
	27 x 17 x 5 / 690 x 440 x 130	
Gewicht(kg / lb)		
	22.8 / 10.3	32.6 / 15
Leistung		
Nennspannung	200 - 240 V ~	200 - 250 V ~
Frequenz	50/60 Hz	
Input-Nennstrom	60A	100A
Maximale Leistung	12000 VA	22000 VA
Normen		
Sicherheit	IEC/EN 62040-1 / Ausg.1: 2008	
EMV	IEC/EN 62040-2 / Ausg.2: 2006	
Leistung	IEC/EN 62040-3 / Ausg.2.0: 2011	
ESD	IEC 61000-4-2: Stufe 3.	
Elektromagnetische Felder	IEC 61000-4-3: Stufe 3.	
EFT	IEC 61000-4-4: Stufe 4.	
Schnelle Transienten	IEC 61000-4-5: Stufe 4.	
Elektromagnetisches Feld	IEC 61000-4-6: Stufe 3.	
Melder mit energietechnischen Frequenzen	IEC 61000-4-8: Stufe 4.	
Zeichen		
	CE	
Umgebungsbedingungen		
Betriebstemperatur	0 bis 40 °C (32 bis 104 °F)	
Lagertemperatur	-15 bis 60 °C (5 bis 140 °F)	
Transport-Temperatur	-25 bis 55 °C (-13 bis 130 °F)	
Feuchte	0 bis 95 %, nicht kondensierend	
Betriebshöhe	Bis 3000 Meter (9843 Fuß) über Meereshöhe mit 10 % Leistungsabschlag pro 1000 m	
Transporthöhe	Bis 10 000 Meter (32 808 Fuß) über Meereshöhe	



ModularEasy

9PXMEZ6Ki

9PXMEZ11Ki

Manual de instalación
y del usuario

Copyright © 2014 **EATON**
Todos los derechos reservados.

Servicio y asistencia:
Llame a su representante de servicio local

INSTRUCCIONES SOBRE SEGURIDAD

GUARDE ESTAS INSTRUCCIONES. Este manual contiene instrucciones importantes que son necesarias para la instalación y el mantenimiento del ModularEasy y el SAI.

Los modelos ModularEasy descritos en este manual se deben instalar en un entorno entre 0 y 40 °C sin contaminantes conductivos.

Estos límites se han previsto para ofrecer una protección razonable contra interferencias cuando el equipo se utiliza en entornos comerciales. Este equipo genera, utiliza y puede irradiar energía de radiofrecuencia y, si no se instala y se utiliza de acuerdo con el manual de instrucciones, podría ocasionar interferencias en las comunicaciones por radio. Es probable que la utilización de este equipo en áreas residenciales cause interferencias; en este caso, será responsabilidad del usuario corregirlas.

Normativa de certificación (aplicable a SAI)

- Seguridad: IEC/EN 62040-1/Ed.1: 2008.
- EMC: IEC/ES 62040-2/Ed.2: 2006.
- Rendimiento: IEC/EN 62040-3/Ed.2.0: 2011.
- IEC 61000-4-2 (ESD): nivel 3.
- IEC 61000-4-3 (campo radiado): nivel 3.
- IEC 61000-4-4 (EFT): nivel 4.
- IEC 61000-4-5 (transitorios rápidos): nivel 4.
- IEC 61000-4-6 (campo electromagnético): nivel 3.
- IEC 61000-4-8 (campo magnético conducido): nivel 4.

Símbolos especiales

A continuación se muestran algunos ejemplos de símbolos utilizados en el ModularEasy para avisar sobre información importante:



RIESGO DE DESCARGA ELÉCTRICA. Tenga en cuenta las advertencias asociadas con el símbolo de riesgo de descarga eléctrica.



Instrucciones importantes que se deben seguir siempre.



Este símbolo indica que no se deben tirar a la basura los residuos de equipos eléctricos o electrónicos (WEEE). Para eliminarlos de forma adecuada, póngase en contacto con el centro más próximo de reciclaje/reutilización o de materiales peligrosos.



Información, consejos, ayuda.

Seguridad de las personas

- El sistema tiene su propia fuente de alimentación cuando está conectado al SAI (batería del SAI). Por ello es posible que las tomas sigan activas aunque el sistema esté desconectado de la fuente de alimentación de CA. Dentro del sistema hay presentes niveles de tensión peligrosos. Sólo debe ser abierto por personal de servicio cualificado.
- El producto debe conectarse a tierra correctamente, conecte siempre primero el cable de tierra

Seguridad del producto

- Es necesario seguir las instrucciones de conexión del ModularEasy y el funcionamiento descrito en el manual siguiendo el orden indicado. Los dispositivos de protección contra desconexión y sobrecarga eléctrica deben ser proporcionados por terceros para los circuitos de entrada y salida de CA.
- **PRECAUCIÓN:** Para reducir el riesgo de incendio, la unidad sólo se conecta a un circuito dotado de protección de sobrecarga con circuito de derivación; consulte la corriente nominal en el manual del usuario del SAI.
Es necesario que se pueda acceder con facilidad al disyuntor de entrada.
Se puede desconectar la unidad de la fuente de alimentación de CA mediante la apertura de este disyuntor y, si aún está conectada al SAI, desactivando previamente el SAI; consulte el manual del usuario del SAI.
- Compruebe que las indicaciones de la placa de características se corresponden con su sistema de alimentación de CA y con el consumo eléctrico real de todos los equipos que se vayan a conectar al sistema.
- En el caso de EQUIPOS QUE PUEDEN ENCHUFARSE, la toma de corriente debe instalarse cerca del equipo y debe ser de fácil acceso.
- No instale nunca el sistema cerca de líquidos o en un ambiente excesivamente húmedo.
- No permita nunca la entrada de cuerpos extraños en el sistema.
- No exponga nunca el sistema a la luz solar directa ni a otras fuentes de calor.
- Si es necesario almacenar el sistema antes de su instalación, debe hacerse en un lugar seco.
- El intervalo admisible de temperatura de almacenamiento está entre -15 °C y +60 °C.

Precauciones especiales

- El ModularEasy está diseñado para trabajar con un SAI homologado por EATON (póngase en contacto con su distribuidor de Eaton si necesita más información)
- SOLO EL PERSONAL DE SERVICIO AUTORIZADO puede realizar reparaciones y mantenimiento.
- No hay NINGUNA PIEZA SUSTITUIBLE POR EL USUARIO dentro del ModularEasy.

Contenido

1. Introducción	5
1.1 Protección ambiental.....	5
2. Presentación.....	6
2.1 Instalación estándar.....	6
2.2 Descripción/paneles	7
2.3 Actualización del firmware.....	8
2.4 Pantalla de SAI en paralelo	8
2.5 Configuración en paralelo	8
3. Instalación	9
3.1 Inspección del equipo.....	9
3.2 Desembalaje del ModularEasy	9
3.3 Comprobación del kit de accesorios.....	9
3.4 Instalación de torre.....	10
3.5 Posición de rack con kit de raíl opcional no incluido: 9RK.....	10
3.6 Ejemplo de configuración de 19" de rack con EBM 9PX EBM 240 V opcional	11
3.7 Ejemplo de sistema de integración de batería con Trollet Frame opcional no incluido: BINTSYS.....	11
3.8 Requisitos de instalación	12
4. Conexión de los cables de alimentación	14
4.1 9PXMEZ6Ki.....	14
4.2 9PXMEZ11Ki - con Normal AC source y Bypass AC source comunes	16
4.3 9PXMEZ11Ki - con Normal AC source y Bypass AC source separadas	18
5. Funcionamiento	20
5.1 Puesta en marcha del sistema en paralelo del SAI.....	20
5.2 Mantenimiento del SAI con el ModularEasy	21
5.3 Sustitución del SAI con el ModularEasy	22
6. Resolución de problemas.....	24
7. Especificaciones	24

1. Introducción

Gracias por haber seleccionado un producto EATON para proteger sus equipos eléctricos.

La gama ModularEasy ha sido diseñada con el máximo cuidado.

Le recomendamos que dedique el tiempo necesario a la lectura de este manual para aprovechar todas las características de su ModularEasy.

Antes de instalar el ModularEasy con su SAI, lea las instrucciones sobre seguridad.

Siga después las indicaciones de este manual, que complementan al manual de instalación y del usuario del SAI.

Si desea conocer toda la gama de productos EATON, visite nuestra página web en www.eaton.com/powerquality o póngase en contacto con su distribuidor de EATON.

1.1 Protección ambiental

EATON ha implantado una política de protección medioambiental.

Los productos se desarrollan siguiendo un enfoque de diseño ecológico.

Sustancias

Este producto no contiene CFC, HCFC ni amianto.

Embalaje

Para mejorar el tratamiento de los residuos y facilitar el reciclaje, separe los distintos componentes del embalaje.

- El cartón que utilizamos está compuesto en más del 50 % por cartón reciclado.
- Las bolsas están fabricadas en polietileno.
- Los materiales del embalaje son reciclables e incluyen el símbolo de identificación correspondiente



Materiales	Abreviaciones	Número en el símbolo
Tereftalato de polietileno	PET	01
Polietileno de alta densidad	HDPE	02
Cloruro de polivinilo	PVC	03
Polietileno de baja densidad	LDPE	04
Polipropileno	PP	05
Poliestireno	PS	06

Siga la normativa local para el desecho de los materiales del embalaje.

Final de la vida útil



EATON procesará los productos una vez finalizada su vida útil de acuerdo con la normativa local. EATON colabora con empresas que se ocupan de la recogida y eliminación de nuestros productos al final de su periodo de uso.

Producto



El producto está fabricado con materiales reciclables. Su desmontaje y destrucción se debe realizar siguiendo la normativa local relativa a residuos. Al final de su periodo de uso, se debe transportar el producto hasta un centro de procesamiento de residuos eléctricos y electrónicos.

2. Presentación

El ModularEasy de Eaton® es una parte fundamental de su sistema paralelo, ya que permite la conexión de dos SAI juntos. Además, se puede realizar el mantenimiento del SAI, o incluso sustituirlo, sin que las cargas conectadas se vean afectadas.

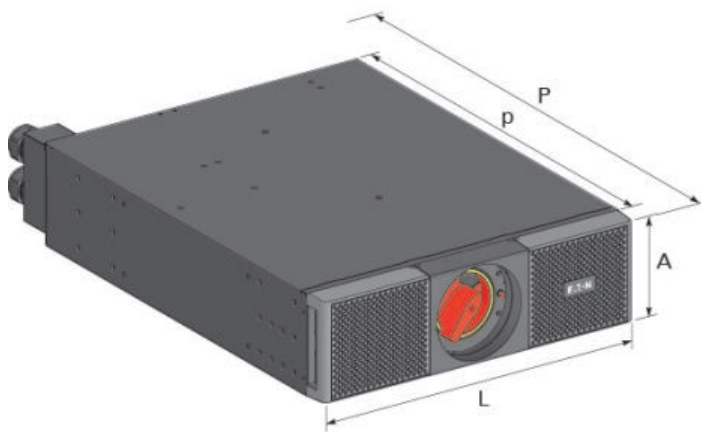
Podrá eliminar con seguridad los efectos del mantenimiento del SAI y proteger la integridad de sus equipos.

Con una fiabilidad extraordinaria, entre las prestaciones exclusivas del ModularEasy de Eaton se incluyen:

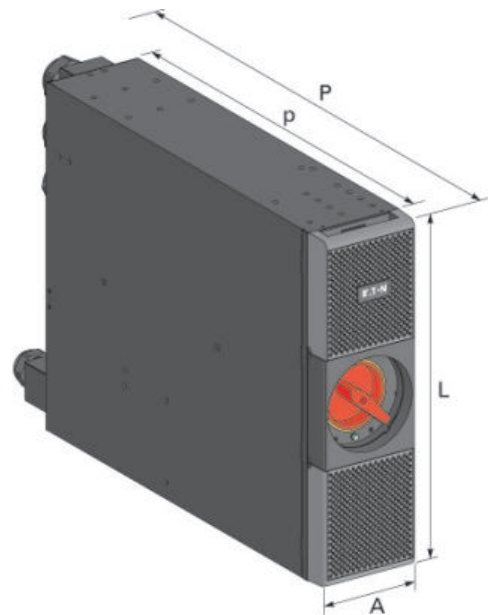
- Conexión rápida y fácil al SAI gracias al conector patentado para input/output y señal "todo en uno" (gama ModularEasy 5/6 kVA)
- Función "**conectar antes de cerrar**" característica que permite el servicio completo (continuidad de la alimentación eléctrica) cuando se pasa de la posición de SAI a la de Bypass (y viceversa)
- Función de comunicación con el SAI: detección de conexión del ModularEasy y de posición del interruptor (normal o Bypass)
- Conexión de carga tanto en bloques de terminales como en tomas IEC (16 A C19)

2.1 Instalación estándar

Posición de rack

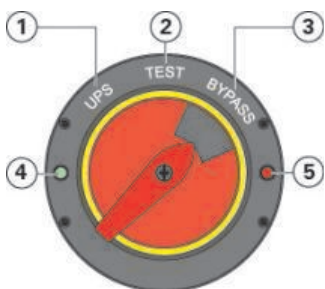


Instalación de torre



Descripción	Peso (kg/lb)	Dimensiones totales (mm/pulg.) Prof. x Ancho x Alto (P x L x A)	Dimensiones del rack (mm/pulg.) prof. x Ancho x Alto (p x L x A)
9PXMEZ6Ki	22,8 / 10,3	690 x 440 x 130 / 27 x 17 x 5	540 x 440 x 130 / 21,3 x 17 x 5
9PXMEZ11Ki	32,6 / 15	690 x 440 x 130 / 27 x 17 x 5	540 x 440 x 130 / 21,3 x 17 x 5

2.2 Descripción/paneles



El ModularEasy dispone de un interruptor giratorio de Bypass manual con tres posiciones:

- ① **UPS (SAI):** La carga recibe alimentación del SAI.
- ② **Test (Prueba):** La carga recibe alimentación directamente de la fuente de alimentación de CA, **los dos SAI** siguen recibiendo alimentación, pero sus salidas se desconectan de la carga.
- ③ **Bypass:** La carga recibe alimentación directamente de la fuente de alimentación de CA, **los dos SAI** se desconectan de la fuente de alimentación de CA.

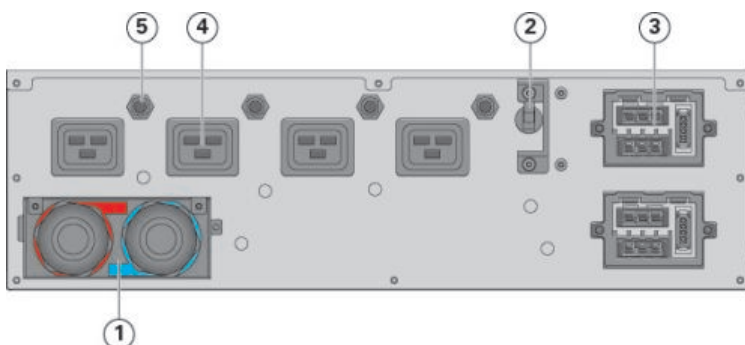
Las luces indican el estado de la alimentación del ModularEasy:

- ④ **La luz verde de "alimentación del SAI"** está activa cuando hay, como mínimo, una output del SAI disponible.
- ⑤ **La luz roja de "modo Bypass"** está activa cuando el interruptor de Bypass manual del ModularEasy está en la posición TEST (PRUEBA) o Bypass (Bypass). **La carga no está protegida.**



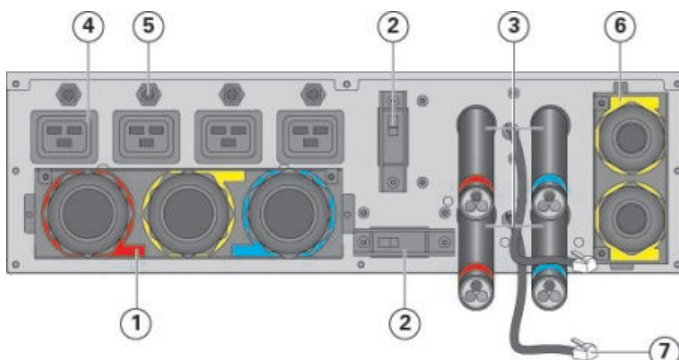
En 9PXMEZ11Ki puede colocarse en Bypass la carga sobre una Bypass AC source independiente (consulte "4.3 9PXMEZ11Ki - con Normal AC source y Bypass AC source separadas", página 18 para obtener más información).

9PXMEZ6Ki



- ① Bloques de terminales de input/output
- ② Interruptor de output del SAI
- ③ Cables de input/output para la conexión al SAI1 y el SAI2
- ④ Tomas de 16 A
- ⑤ Tomas del disyuntor
- ⑥ Input de fuente "Bypass" de SAI1 y SAI2
- ⑦ Cable de señal para la detección de 9PXMEZ hacia el SAI

9PXMEZ11Ki



El interruptor de output del SAI ② permite desconectar la alimentación de output del SAI para el mantenimiento o la sustitución del mismo. Consulte "5. Funcionamiento", página 20

Detección del estado del ModularEasy ⑦:

Un cable de señal RJ11 permite mostrar los siguientes estados en el panel de visualización del SAI:

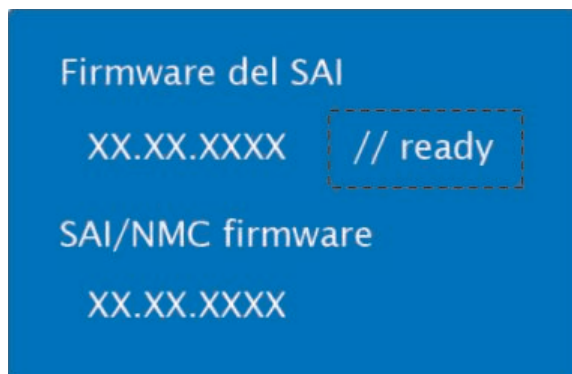
- Conexión del ModularEasy con el SAI
- Posición del interruptor de Bypass

2. Presentación

2.3 Actualización del firmware



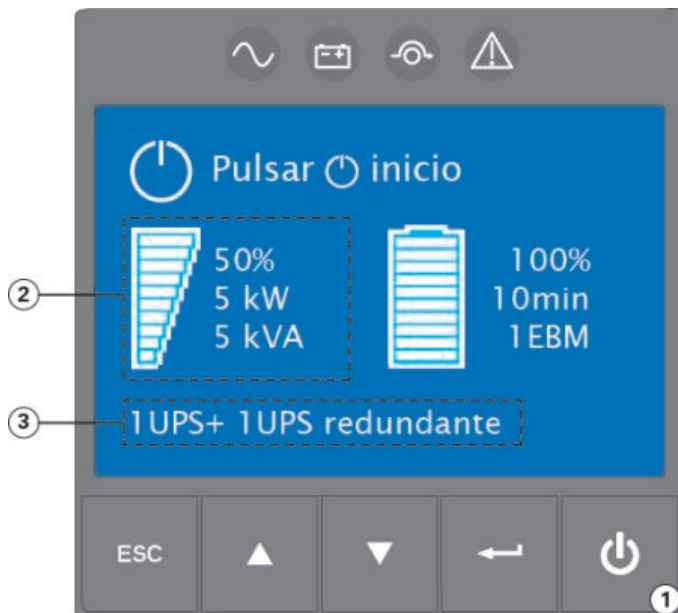
Compruebe que la versión de firmware del SAI sea compatible con el sistema en paralelo:
Menú → Identificación → SAI/NMC firmware.

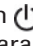


Si no aparece "// Ready" justo al lado del número de firmware del SAI, significa que el SAI no se puede conectar en paralelo.

Póngase en contacto con su distribuidor de Eaton para descargar el firmware más reciente.

2.4 Pantalla de SAI en paralelo



- ① Pulse el botón  de cualquiera de los dos SAI para iniciar el sistema en paralelo.
- ② La visualización de la alimentación es la alimentación del SAI, no la alimentación de la carga. La alimentación de la carga es la suma de la visualización de la alimentación del SAI1 + la visualización de la alimentación del SAI2
- ③ "1UPS + 1UPS redundante" significa que la alimentación de la carga es inferior a la alimentación máxima de un SAI.
"2UPS + 0UPS redundante" significa que la alimentación de la carga es superior a la alimentación máxima de un SAI.
"1UPS + 0UPS redundante" significa que solo un SAI suministra alimentación a la carga.

2.5 Configuración en paralelo

Pulse el botón Enter (↵) para activar las opciones del menú.

Menú principal	Submenú	Configuraciones disponibles	
Configuraciones	Ajustes Entr./Sal.	Modo redundancia	[Operación Paralelo]
			[Sólo Redundancia]

[Operación Paralelo]: Establezca este modo para cancelar la alarma sonora que se activará cuando la alimentación de la carga sea superior a la alimentación máxima de un SAI. "Operación Paralelo" es el modo predeterminado.

[Sólo Redundancia]: Establezca este modo para que se active una alarma sonora cuando la alimentación de la carga sea superior a la alimentación máxima de un SAI.

3.1 Inspección del equipo

Si un equipo ha recibido daños durante el transporte, guarde los cartones y materiales del embalaje del transportista o del lugar de compra, y presente una reclamación por daños de transporte. Si descubre los daños después de la aceptación, presente una reclamación por daños ocultos.

Para presentar una reclamación por daños de transporte o por daños ocultos:

1. Reclame al transportista antes de que transcurran 15 días desde la recepción del equipo;
2. Envíe una copia de la reclamación de daños antes de 15 días a su representante de servicio.

3.2 Desembalaje del ModularEasy

Desembale el equipo y retire todo el material de embalaje y cartones de transporte.

Deseche o recicle el embalaje de forma adecuada o guárdelo para utilizarlo más tarde.

Coloque el armario en un área protegida con aireación adecuada y libre de humedad, gases inflamables o corrosión.

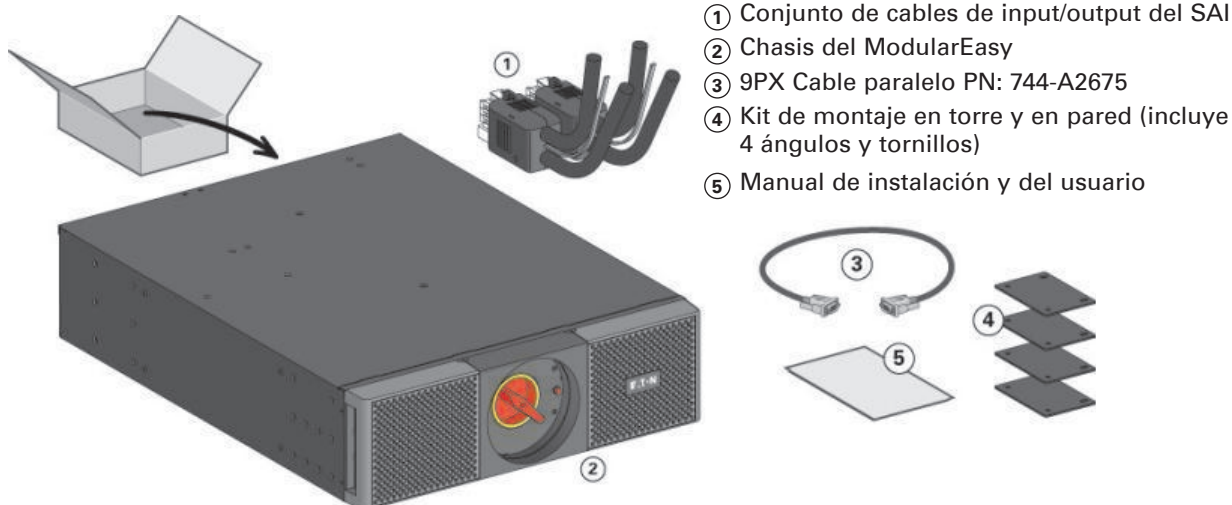


Los materiales del embalaje se deben desechar siguiendo la normativa local relativa a residuos. Hay símbolos de reciclaje impresos en los distintos materiales para facilitar su clasificación.

3.3 Comprobación del kit de accesorios

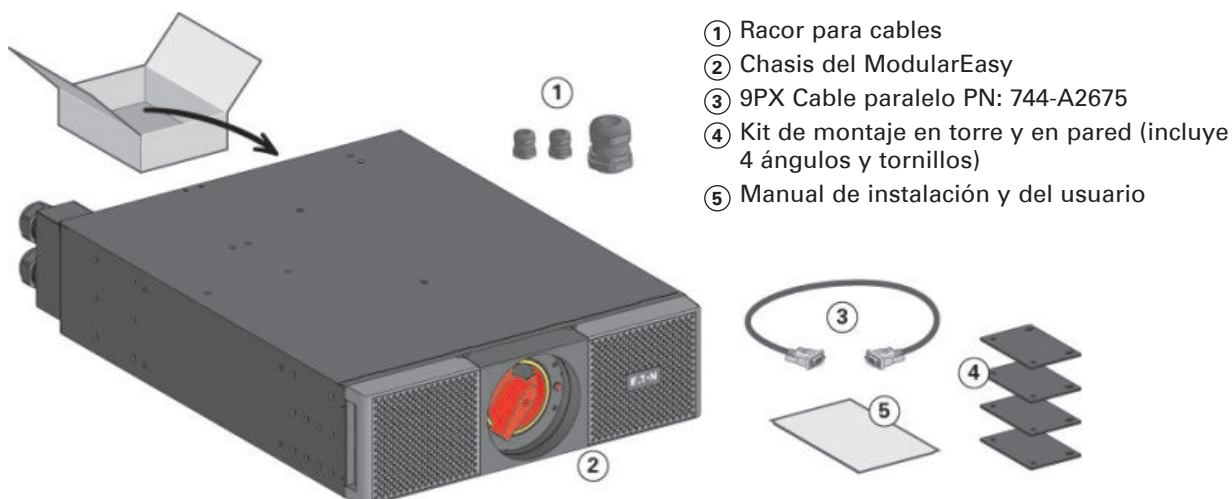
- Compruebe que se hayan incluido los siguientes elementos adicionales en el ModularEasy:

9PXMEZ6Ki



- ① Conjunto de cables de input/output del SAI
- ② Chasis del ModularEasy
- ③ 9PX Cable paralelo PN: 744-A2675
- ④ Kit de montaje en torre y en pared (incluye 4 ángulos y tornillos)
- ⑤ Manual de instalación y del usuario

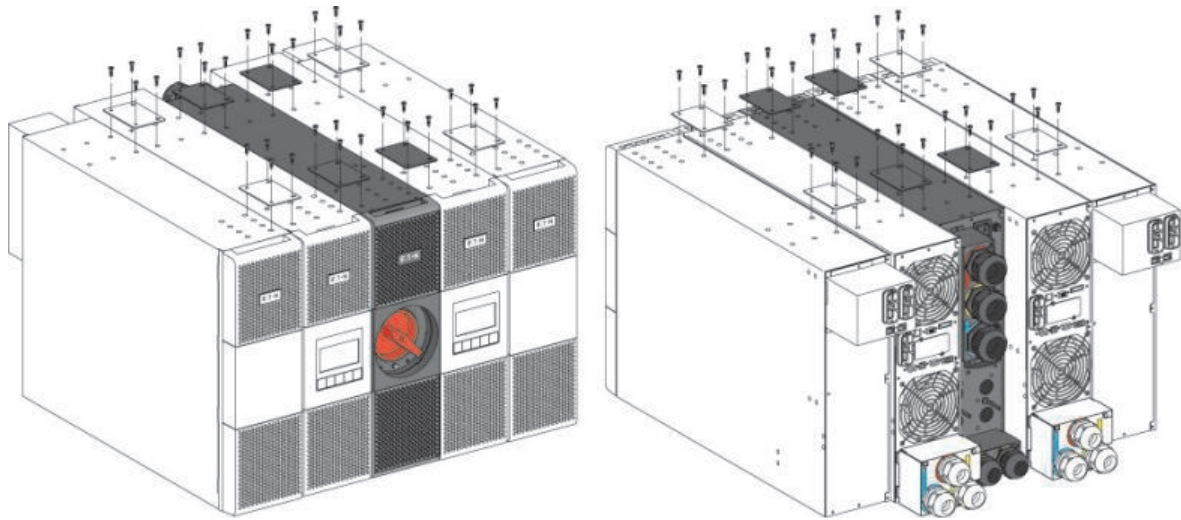
9PXMEZ11Ki



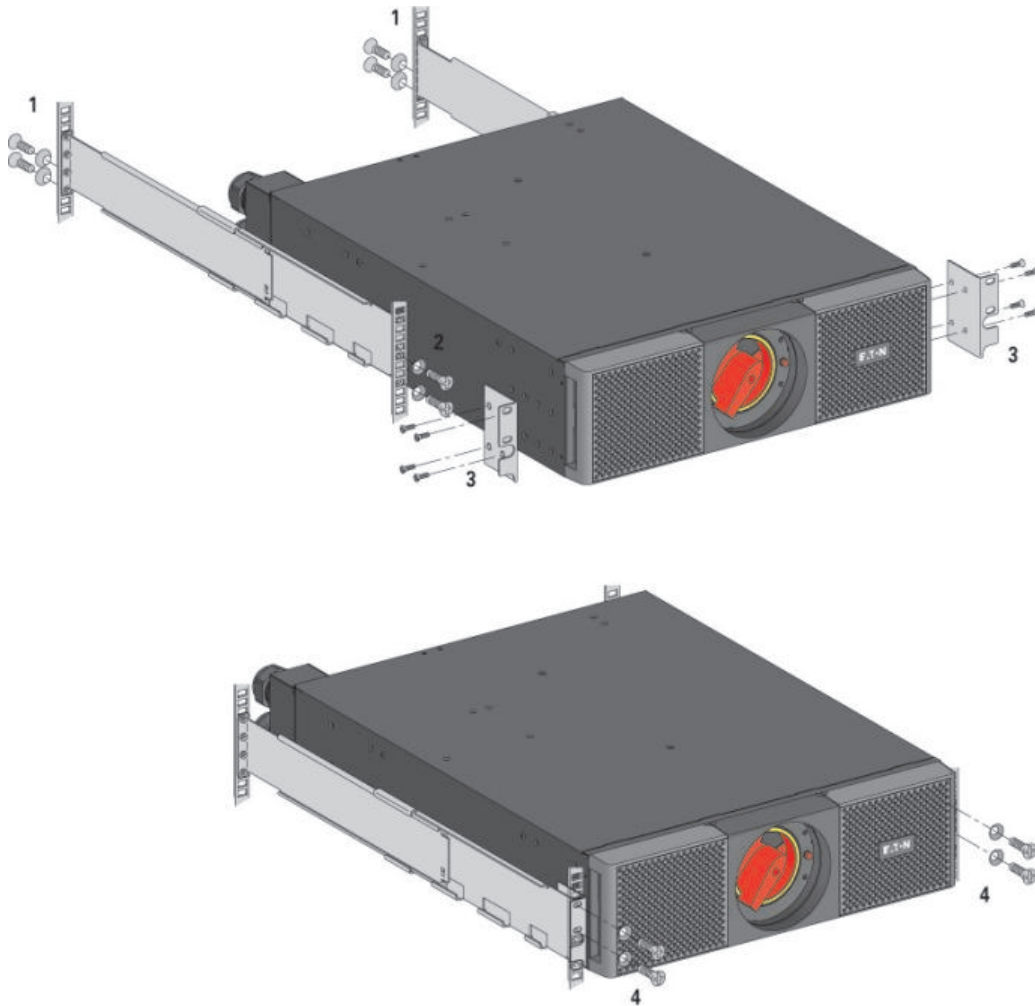
- ① Racor para cables
- ② Chasis del ModularEasy
- ③ 9PX Cable paralelo PN: 744-A2675
- ④ Kit de montaje en torre y en pared (incluye 4 ángulos y tornillos)
- ⑤ Manual de instalación y del usuario

3. Instalación

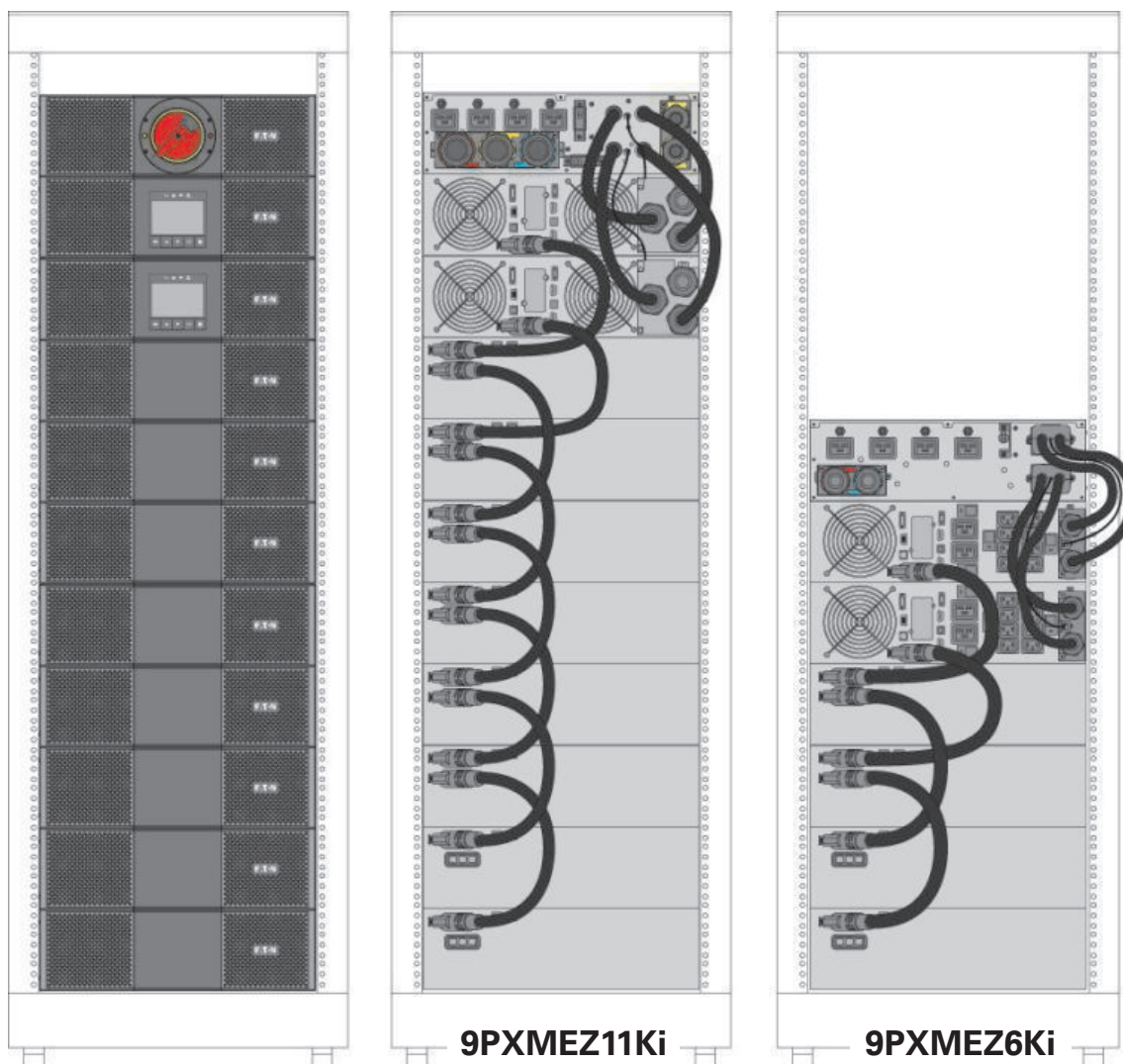
3.4 Instalación de torre



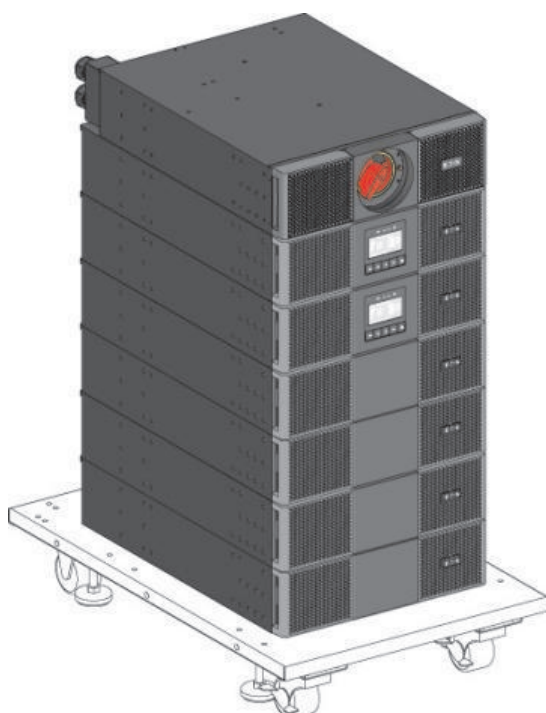
3.5 Posición de rack con kit de rail opcional no incluido: 9RK



3.6 Ejemplo de configuración de 19" de rack con EBM 9PX EBM 240 V opcional



3.7 Ejemplo de sistema de integración de batería con Trolley Frame opcional no incluido: BINTSYS



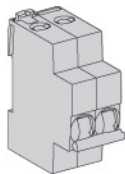
3. Instalación

3.8 Requisitos de instalación

Secciones de cables y dispositivos de protección recomendados

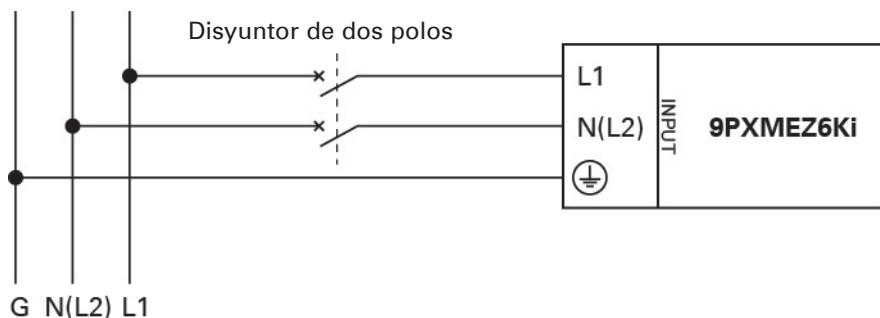
3.8.1 9PXMEZ6Ki, de uso con el SAI 9PX6000 o 9PX5000

- Dispositivos de protección recomendados



Curva D, 63 A para Operación Paralelo

Curva D, 32 A para Sólo redundancia

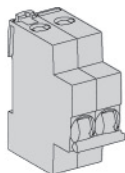


- Secciones de cable recomendadas

	Posición del terminal	Función del cable	Tamaño nominal cable de terminal	Tamaño nominal de cable de input mínimo	Curva D del disyuntor
9PXMEZ6Ki Operación Paralelo	L1	Fase	4-25 mm ² (12-4 AWG)	10 mm ² (8 AWG)	63 A
	N (L2)	Neutro (fase)			
	⊕	Masa			
9PXMEZ6Ki Sólo Redundancia	L1	Fase	4-25 mm ² (12-4 AWG)	6 mm ² (10 AWG)	32 A
	N (L2)	Neutro (fase)			
	⊕	Masa			

3.8.2 9PXMEZ11Ki, de uso con el SAI 9PX8000 o 9PX11000

- Dispositivos de protección recomendados de fuente de input común



Para Operación Paralelo

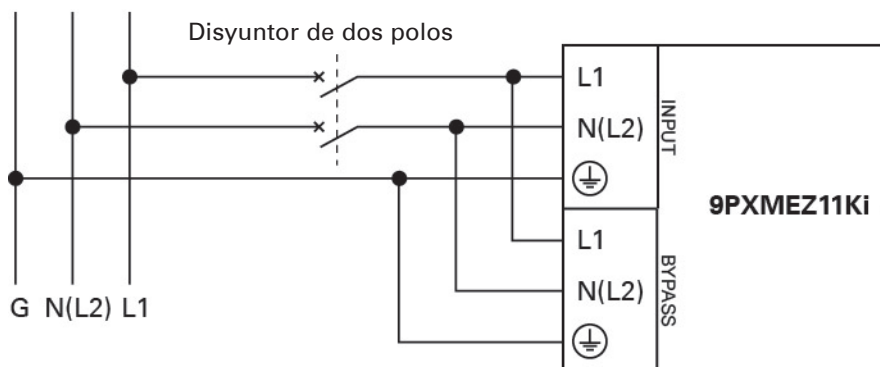
Curva D, 125 A si se usa con SAI 9PX11000

Curva D, 100 A si se usa con SAI 9PX8000

Para Sólo Redundancia

Curva D, 63 A si se usa con SAI 9PX11000

Curva D, 50 A si se usa con SAI 9PX8000

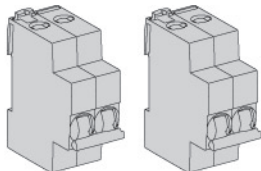


3.8 Requisitos de instalación

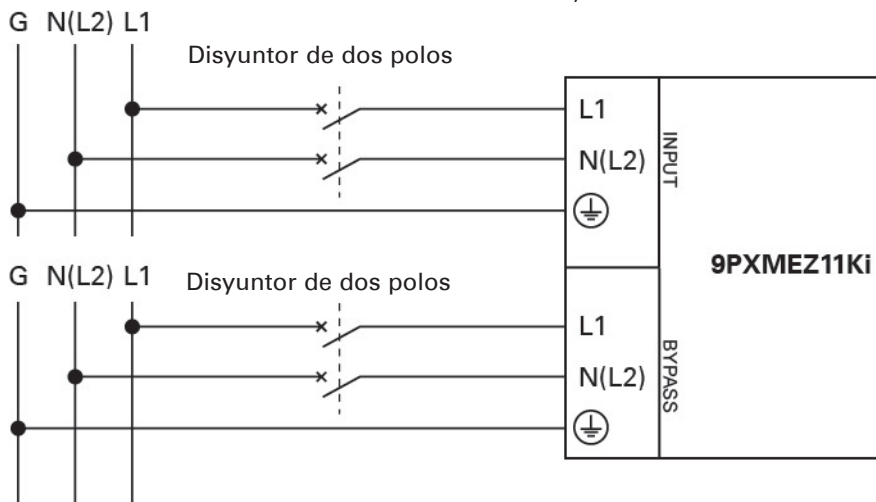
Dispositivos de protección y secciones de cable recomendados

3.8.3 9PXMEZ11Ki, de uso con SAI 9PX8000 o 9PX11000

- Dispositivos de protección recomendados de fuente de input separada



Para Operación Paralelo
 Curva D, 125 A si se usa con SAI 9PX11000
 Curva D, 100 A si se usa con SAI 9PX8000
 Para Sólo redundancia
 Curva D, 63 A si se usa con SAI 9PX11000
 Curva D, 50 A si se usa con SAI 9PX8000



- Secciones de cable recomendadas

9PXMEZ11Ki	Normal AC source y Bypass AC source				
	Posición del terminal	Función del cable	Tamaño nominal cable de terminal	Tamaño nominal de cable de input mínimo	Curva D del disyuntor
Operación Paralelo con SAI 9PX11000	L1	Fase	4-35 mm ² (12-4 AWG)	35 mm ² (1 AWG)	125 A
	N (L2)	Neutro (fase)			
	⊕	Masa			
Operación Paralelo con SAI 9PX8000	L1	Fase	4-35 mm ² (12-4 AWG)	25 mm ² (2 AWG)	100 A
	N (L2)	Neutro (fase)			
	⊕	Masa			
Sólo Redundancia con SAI 9PX11000	L1	Fase	4-35 mm ² (12-4 AWG)	10 mm ² (8 AWG)	63 A
	N (L2)	Neutro (fase)			
	⊕	Masa			
Sólo Redundancia con SAI 9PX8000	L1	Fase	4-35 mm ² (12-4 AWG)	10 mm ² (8 AWG)	50 A
	N (L2)	Neutro (fase)			
	⊕	Masa			

4. Conexión de los cables de alimentación



Este tipo de conexiones debe ser realizado por electricistas cualificados.

Antes de realizar cualquier conexión, compruebe que el dispositivo de protección de entrada de Normal AC source esté abierto ("O", Off).

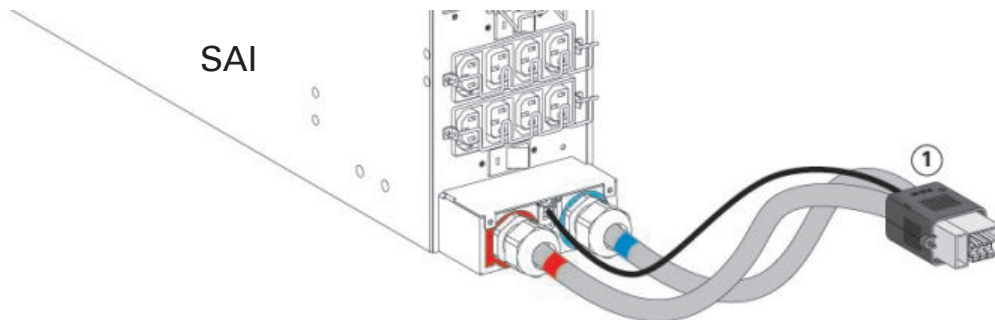


Antes de proceder a conectar el ModularEasy al SAI, asegúrese de que el SAI esté correctamente apagado (consulte el manual del usuario del SAI).

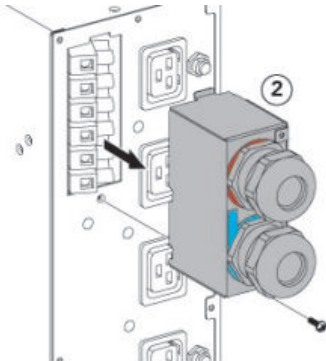
Conecte siempre el cable de masa en primer lugar.

4.1 9PXMEZ6Ki

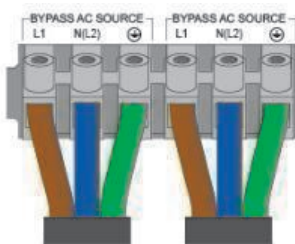
1. Conecte los dos cables de alimentación del conjunto de cables de E/S ① a los bloques de terminales de E/S del SAI siguiendo el código de colores de los cables y de la tapa de E/S del SAI (azul para Input UPS/rojo para Output UPS). Consulte el manual del usuario del SAI para comprobar la conexión de los bloques de terminales del SAI.
2. Conecte el cable de detección del ModularEasy del conjunto de cables de E/S ① al conector específico del SAI ("MBP detectado", consulte el manual del usuario del SAI "614-09200").



3. Deslice la tapa de E/S del ModularEasy ② después de quitar el tornillo para acceder a los bloques de terminales del ModularEasy.



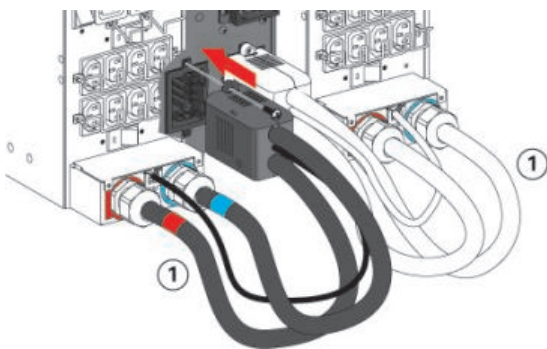
4. Inserte el cable de fuente de Normal AC source a través del pasacables.
5. Conecte los cables a los bloques de terminales (Input) de Normal AC source.
6. Inserte el cable de salida (output) a través del pasacables.
7. Conecte los cables a los bloques de terminales de salida (output).



8. Apriete los pasacables.
9. Vuelva a colocar la tapa de E/S del ModularEasy en su sitio y fíjela ② con el tornillo.

4. Conexión de los cables de alimentación

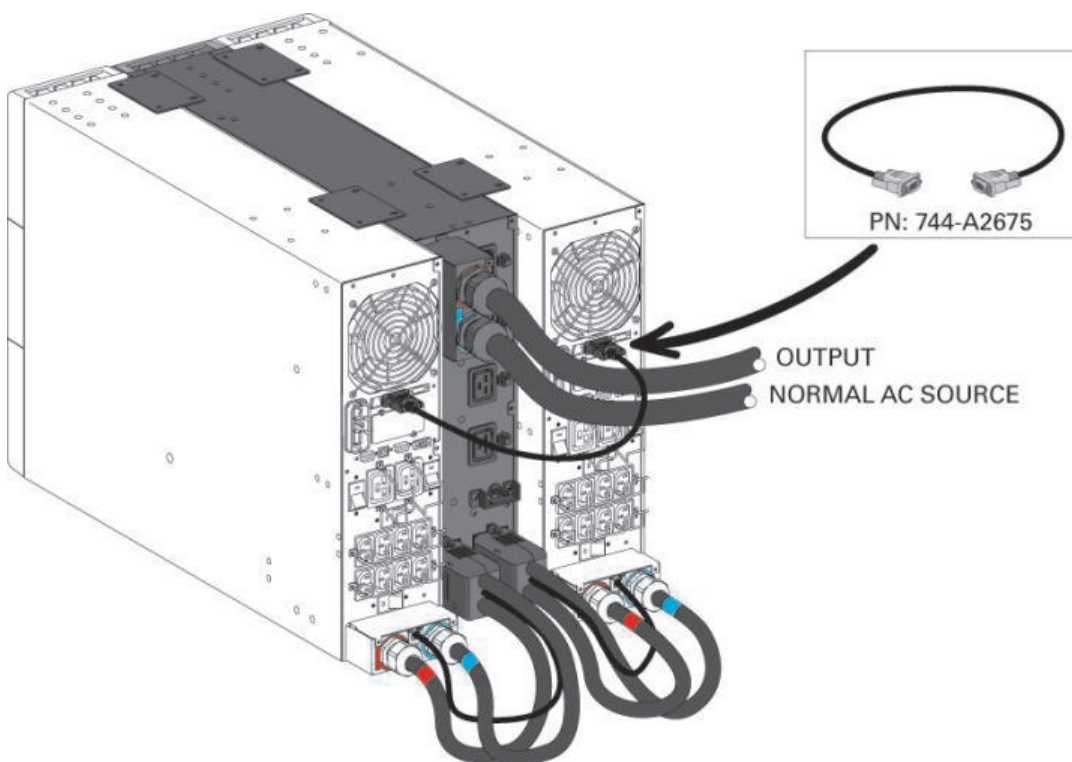
10. Inserte el conector del conjunto de cables de E/S ① en el ModularEasy y fíjelo con los dos tornillos de bloqueo



11. Conecte los dos SAI juntos con el cable paralelo 9PX y fíjelo.



La utilización de este cable paralelo específico es obligatoria para la primera puesta en marcha y para un uso óptimo.

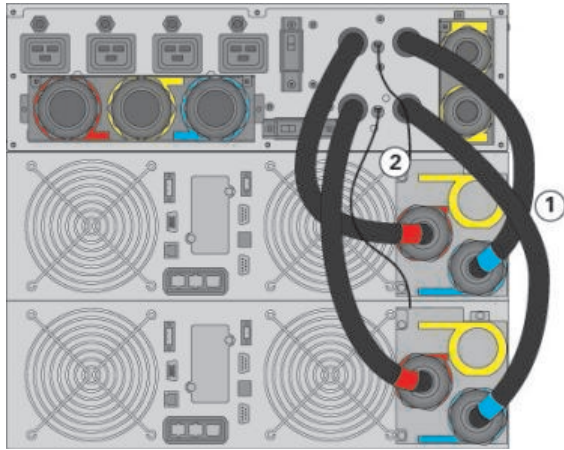


4. Conexión de los cables de alimentación

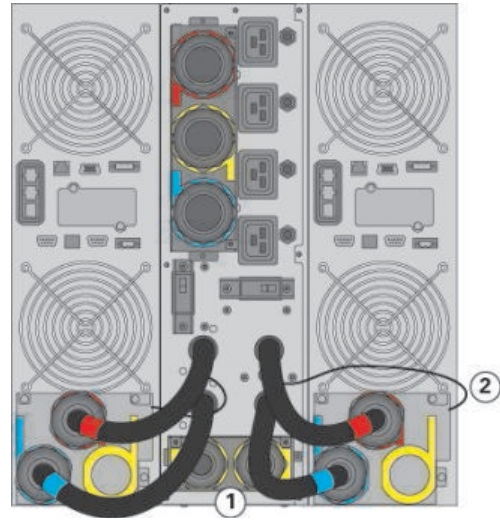
4.2 9PXMEZ11Ki - con Normal AC source y Bypass AC source comunes

1. Conecte los cuatro cables de alimentación integrados ① a los bloques de terminales de E/S del SAI1 y el SAI2 siguiendo el código de colores de los cables y de la tapa de E/S del SAI (azul para input del SAI/rojo para output del SAI). No quite el puente input de Bypass de CA del SAI que está dentro de la tapa de E/S del SAI. Consulte el manual del usuario del SAI para comprobar la conexión de los bloques de terminales del SAI.
2. Conecte los cables de detección del ModularEasy ② al conector SAI específico ("MBP detectado", consulte el manual del usuario del SAI "614-09260").

Posición de rack

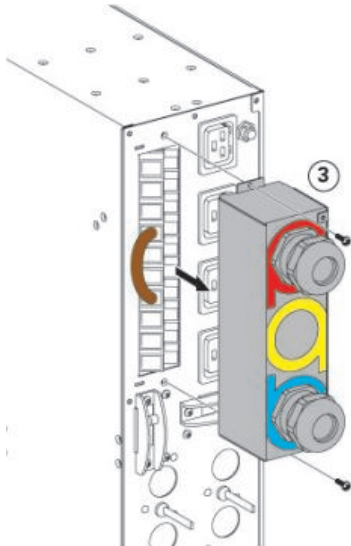


Instalación de torre



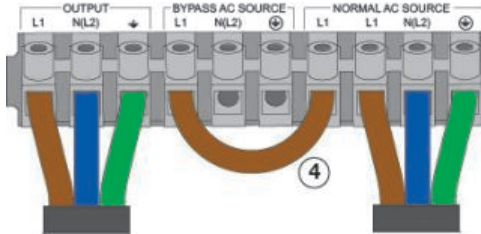
No aumente ni disminuya la longitud del cable de alimentación integrado.

3. Deslice la tapa de E/S del ModularEasy ③ después de quitar los dos tornillos para acceder a los bloques de terminales del ModularEasy.



4. Conexión de los cables de alimentación

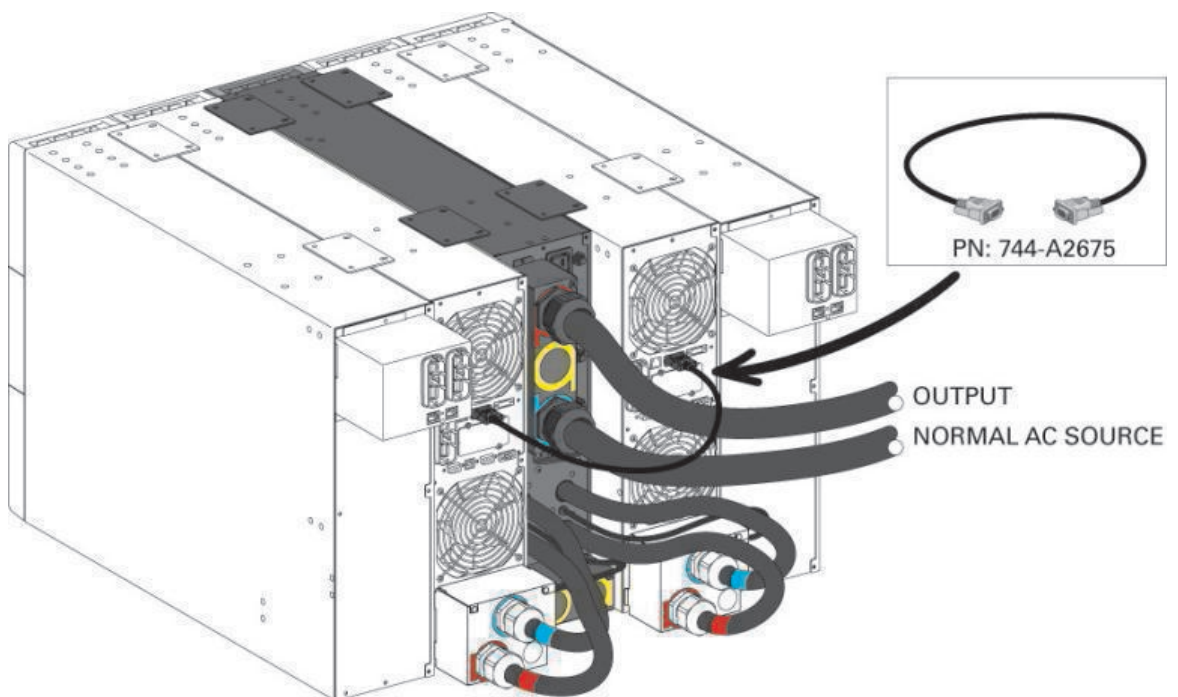
4. Inserte el cable de Normal AC source a través del pasacables.
5. Conecte los cables a los bloques de terminales (Input) de Normal AC source (no quite el puente de Input Bypass AC ④ ni el puente de input Bypass de SAI que está dentro de la tapa de E/S del SAI (consulte el manual del usuario del SAI)
6. Inserte el cable de salida (output) a través del pasacables.
7. Conecte los cables a los bloques de terminales de salida (output).



8. Apriete los pasacables.
9. Vuelva a colocar la tapa de E/S del ModularEasy en su sitio y fijela ③ con los dos tornillos.
10. Compruebe el EBM conectado al SAI.
11. Conecte los dos SAI juntos con el cable paralelo 9PX y fíjelo.



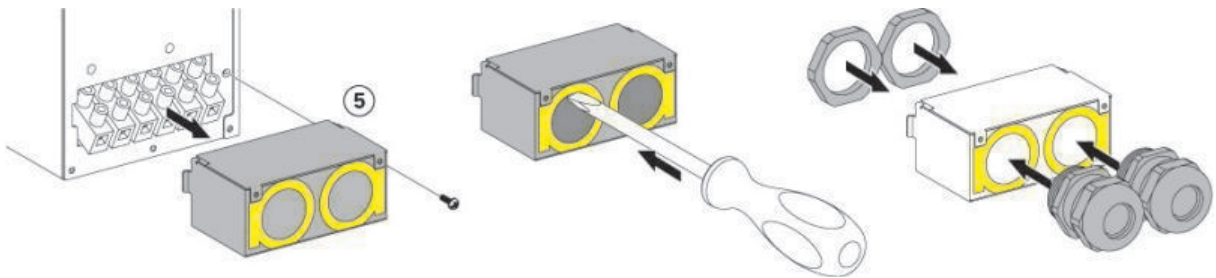
La utilización de este cable paralelo específico es obligatoria para la primera puesta en marcha y para un uso óptimo.



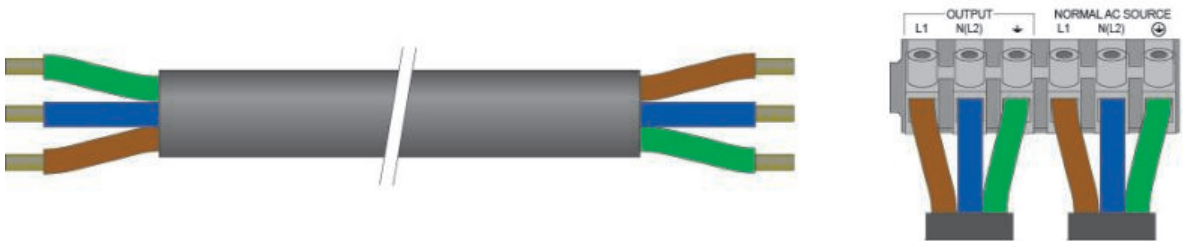
4. Conexión de los cables de alimentación

4.3 9PXMEZ11Ki - con Normal AC source y Bypass AC source separadas

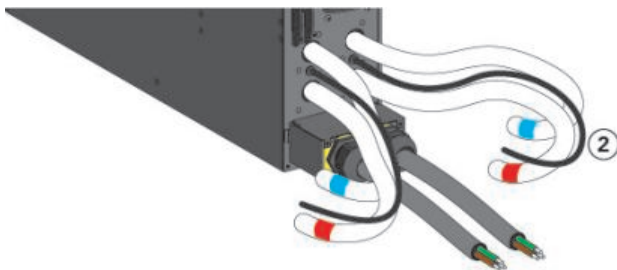
1. Deslice la tapa de input de Bypass del ModularEasy ⑤ después de quitar el tornillo.
2. Perfore las dos piezas preparadas para ello de Bypass Input de la tapa de input de Bypass del ModularEasy ⑤ e introduzca los dos pequeños racores para cables suministrados.



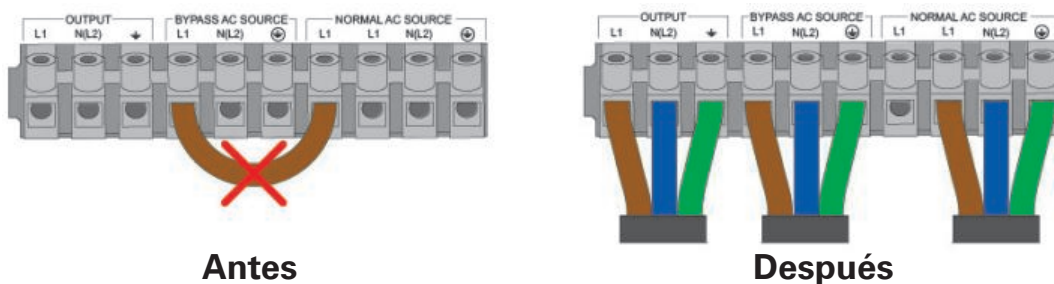
3. Introduzca un cable de alimentación por cada racor para cables de la tapa de input de Bypass Input del ModularEasy ⑤. Los cables no vienen incluidos en el embalaje. Se recomienda utilizar un cable con 3 conductores, de 50 cm de longitud y con un tamaño nominal de cable mínimo: 10 mm² (8 AWG).



4. Conecte los cables a los bloques de terminales "Input BP" de la tapa de Bypass Input del ModularEasy ⑤.
5. Apriete el pasacables.
6. Vuelva a colocar la tapa de Bypass Input del ModularEasy en su sitio y fjela ⑤ con el tornillo.

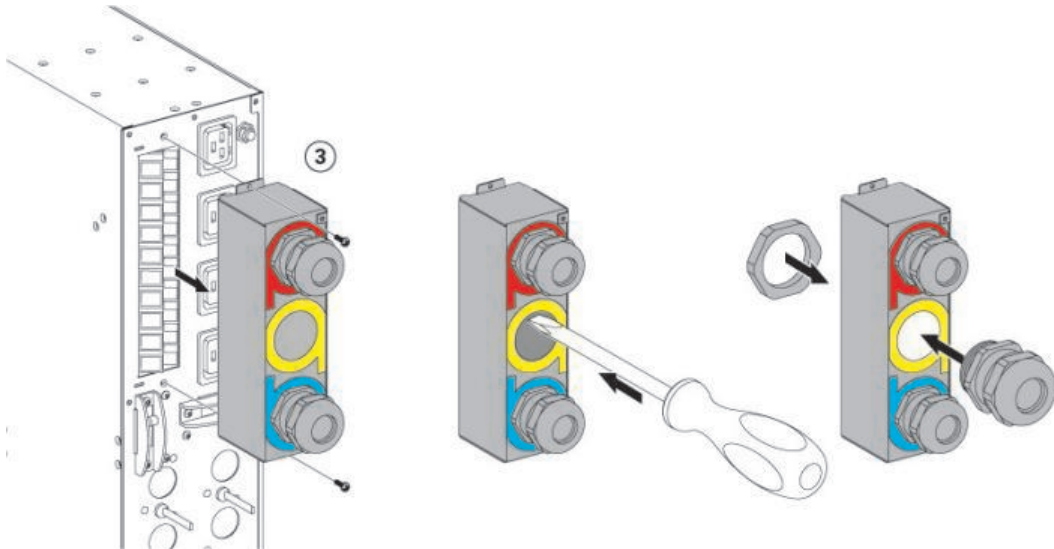


7. Conecte los cuatro cables de alimentación integrados y los dos cables de alimentación de Bypass Input previamente instalados a los bloques de terminales de E/S del SAI1 y el SAI2. Siga el código de colores de los cables y la tapa de E/S del SAI (azul para Input UPS/ amarillo para el Bypass Input del SAI). Consulte el manual del usuario del SAI para comprobar la conexión de los bloques de terminales del SAI. No olvide **retirar el puente de input de Bypass de CA en el SAI**.
8. Conecte el cable de detección de ModularEasy ② al conector específico del SAI (consulte el manual del usuario del SAI).
9. Deslice la tapa de E/S del ModularEasy ③ después de quitar los dos tornillos para acceder a los bloques de terminales del ModularEasy.



4. Conexión de los cables de alimentación

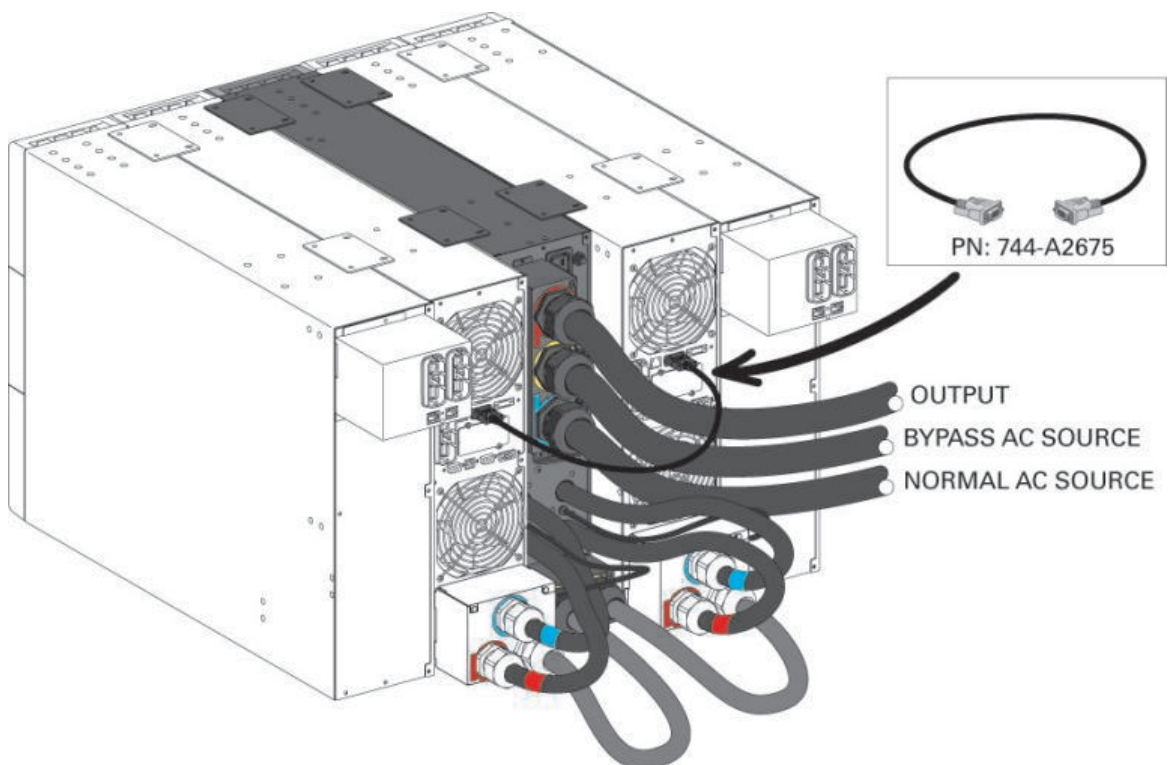
10. Retire el puente de Input Bypass AC ④.
11. Perfore la pieza preparada para ello de Bypass AC source de la tapa de E/S del ModularEasy ③ e introduzca el racor para cables grande suministrado.



12. Inserte el cable de Normal AC source a través del racor para cables.
13. Conecte los cables a los bloques de terminales (input) de Normal AC source.
14. Inserte el cable de Bypass AC source a través del racor para cables.
15. Conecte los cables a los bloques de terminales (Input BP) de Bypass AC source.
16. Inserte el cable de output a través del racor para cables.
17. Conecte los cables a los bloques de terminales de salida (output).
18. Apriete los racores para cables.
19. Vuelva a colocar la tapa de E/S del ModularEasy en su sitio y fíjela ③ con los dos tornillos.
20. Compruebe el EBM conectado al SAI.
21. Conecte los dos SAI juntos con el cable paralelo 9PX y fíjelo.



La utilización de este cable paralelo específico es obligatoria para la primera puesta en marcha y para un uso óptimo.



5. Funcionamiento

5.1 Puesta en marcha del sistema en paralelo del SAI



En el modo "Sólo Redundancia", verifique que los valores nominales totales de los equipos no superen la capacidad de un SAI para evitar una alarma por sobrecarga.
En el modo "Operación Paralelo", verifique que los valores nominales totales de los equipos no superen la capacidad de dos SAI para evitar una alarma por sobrecarga.

1. Compruebe que los dos SAI estén bien conectados al ModularEasy (consulte "4. Conexión de los cables de alimentación", página 14).

Si el SAI está equipado con tomas de corriente, estas ya no se podrán utilizar (las cargas solo se podrán conectar a las tomas de corriente del ModularEasy o a los bloques de terminales de output del ModularEasy).



Compruebe que haya dos SAI conectados entre ellos con el cable paralelo 9PX.



PN: 744-A2675



2. Compruebe que los bloques de terminales del ModularEasy estén conectados a la fuente de CA y a la Bypass AC source (*)
3. Compruebe que el interruptor de Bypass manual del ModularEasy esté en la posición "UPS"
4. Coloque el interruptor de output del SAI del ModularEasy en la posición "I" (On) en el caso del 9PXMEZ6Ki.
Coloque los dos interruptores de output del SAI del ModularEasy en la posición "I" (On) en el caso del 9PXMEZ11Ki
5. Coloque el disyuntor de entrada de fuente de CA (no suministrado) en la posición "I" (On) para activar la alimentación de suministro eléctrico (consulte "3.4 Instalación de torre", página 10).
Coloque el disyuntor de entrada de fuente Bypass (no suministrado) en la posición "I" (On) para activar la alimentación de Bypass (*).
6. Compruebe que los dos SAI reciban alimentación correctamente (panel de visualización del SAI iluminado)
7. Compruebe que en los dos SAI se visualiza "**1UPS + 1UPS redundante**". No vaya al paso siguiente si no aparece esto y compruebe los dos siguientes puntos:



- a) Los dos SAI están conectados entre ellos con el cable paralelo, PN: 744-A2675
- b) La versión de firmware del SAI es compatible con el sistema en paralelo:
Menú → Identificación → SAI/NMC firmware.
Si la palabra "**// Ready**" no aparece justo al lado del número de firmware del SAI, póngase en contacto con su distribuidor de Eaton para descargar el firmware más reciente.

8. Seleccione el modo "**Sólo Redundancia**" o "**Operación Paralelo**" mediante el Menú → Ajustes → Ajustes Entr./Sal. → Modo redundancia.
 - "**Operación Paralelo**" es el modo predeterminado. "Operación Paralelo" cancela la alarma sonora que se activa cuando la alimentación de la carga es superior a la alimentación máxima de un SAI.
 - "**Sólo redundancia**" activa una alarma sonora cuando la alimentación de la carga es superior a la alimentación máxima de un SAI.
9. Pulse el botón "ON" de cualquiera de los dos SAI para iniciar el sistema en paralelo.

(*) **Solo en caso de que se haya conectado la opción de Bypass AC source (solo 9PXMEZ11Ki).**

5.2 Mantenimiento del SAI con el ModularEasy

Mantenimiento del SAI:



1. Coloque los dos SAI en "**modo Bypass interno**" (consulte el manual del usuario del SAI)
2. Compruebe que los dos SAI estén en modo Bypass consultando el panel de visualización del SAI (consulte el manual del usuario del SAI).
3. Coloque el interruptor de Bypass manual del ModularEasy en la posición "Test" (Prueba). La **luz roja "Bypass"** del ModularEasy se ilumina, indicando que la carga recibe alimentación directa de la fuente de CA o de la Bypass AC source optativa del 9PXMEZ11Ki
4. Para probar el SAI de forma unitaria, coloque el interruptor de output del SAI del ModularEasy en la posición "0" (OFF)
Para probar los dos SAI en paralelo, deje el interruptor de output del SAI del ModularEasy en la posición "1" (ON)
5. Prosiga con las operaciones de mantenimiento del SAI (consulte el manual del usuario del SAI).

Vuelta al funcionamiento normal:

1. - **9PXMEZ6Ki**: Compruebe que el interruptor "output del SAI" del ModularEasy esté en la posición "I" (On).
- **9PXMEZ11Ki**: Compruebe que los dos interruptores "output del SAI" del ModularEasy estén en la posición "I" (On).
2. Compruebe que el SAI esté en modo Bypass consultando el panel de visualización del SAI (consulte el manual del usuario del SAI)



3. Compruebe que el cable paralelo 9PX esté conectado y fijado correctamente.



PN: 744-A2675

4. Compruebe que en los dos SAI se visualiza "**1UPS + 1UPS redundante**". No vaya al paso siguiente si no aparece esto y compruebe los dos siguientes puntos:



- a) Los dos SAI están conectados entre ellos con el cable paralelo, PN: 744-A2675
- b) La versión de firmware del SAI es compatible con el sistema en paralelo:
Menú → Identificación → SAI/NMC firmware.
Si la palabra "**// Ready**" no aparece justo al lado del número de firmware del SAI, póngase en contacto con su distribuidor de Eaton para descargar el firmware más reciente.

5. Compruebe que la **luz verde del "modo SAI"** del ModularEasy esté iluminada, indicando que la alimentación de output del SAI está disponible en el ModularEasy



Importante: No continúe con el paso siguiente si la **luz verde del "modo SAI"** del ModularEasy está apagada (se perdería la carga).

6. Coloque el interruptor de Bypass manual del ModularEasy en la posición "**UPS**": la luz roja del "**modo Bypass**" del ModularEasy se apaga, indicando que la carga recibe ahora alimentación del SAI
7. Coloque el SAI en modo "**En línea**" (consulte el manual del usuario del SAI)
8. Compruebe que el SAI esté en modo "**En línea**" consultando el panel de visualización del SAI (consulte el manual del usuario del SAI)


Ahora la carga está protegida por el SAI.

5. Funcionamiento

5.3 Sustitución del SAI con el ModularEasy

5.3.1 Retirada de un SAI defectuoso:



1. Coloque el SAI en "modo Bypass interno"; consulte el manual del usuario del SAI.
2. Compruebe que el SAI esté en modo Bypass consultando el panel de visualización del SAI (consulte el manual del usuario del SAI)
3. Coloque el interruptor de Bypass manual del ModularEasy en la posición "Bypass".
La luz roja del "modo Bypass" del ModularEasy se ilumina, indicando que la carga recibe alimentación directa de la fuente de CA o bien de la Bypass AC source opcional solo en el 9PXMEZ11Ki
4. Espere hasta que el SAI se apague al cabo de unos 30 segundos
5. Compruebe que la visualización del SAI esté apagada. Si la visualización todavía está iluminada, revise el "Modo reposo" del SAI consultando el manual del usuario del SAI. No vaya al paso siguiente si la visualización todavía está iluminada
6. Coloque el interruptor de output del SAI del ModularEasy en la posición "0" (OFF) en el caso del 9PXMEZ6Ki, o coloque los dos interruptores de output del SAI del ModularEasy en la posición "0" (OFF) en el caso del 9PXMEZ11Ki
7. Desconecte todas las baterías internas (*) y externas del SAI defectuoso.
(*) Solo para los SAI 9PX5000 y 9PX6000.
8. Compruebe que realmente se haya desconectado completamente la alimentación pulsando el botón ON/OFF  del SAI defectuoso durante 5 segundos.
El SAI debe permanecer apagado.
9. Compruebe que la visualización del SAI siga apagada.

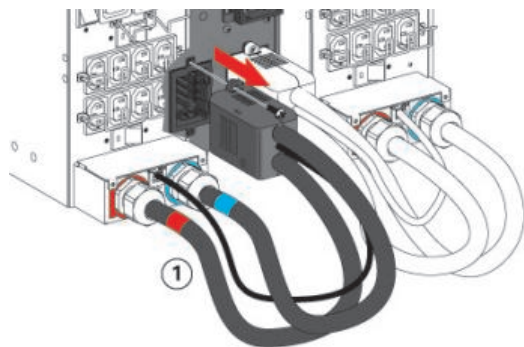


Importante: No vaya al paso siguiente si la visualización está iluminada.

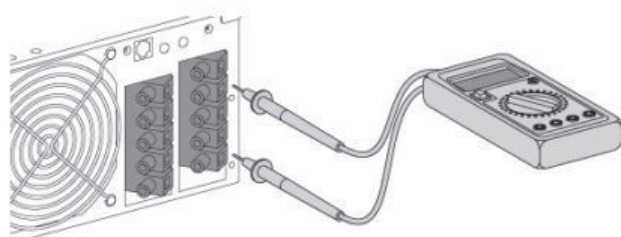
Ahora ya se puede desconectar el SAI tal como se indica a continuación:

5.3.2 9PXMEZ6Ki

- En primer lugar, desconecte el conjunto de cables de E/S ① del SAI defectuoso del ModularEasy, tras retirar los dos tornillos



- Después de abrir la tapa de los bloques de terminales de E/S del SAI defectuoso, compruebe que en estos ya no haya tensión peligrosa utilizando un multímetro de seguridad.



- Desconecte el conjunto de cables de E/S ① y conéctelo a un nuevo SAI
- Vuelva a conectar el conjunto de cables de E/S ① del nuevo SAI al ModularEasy

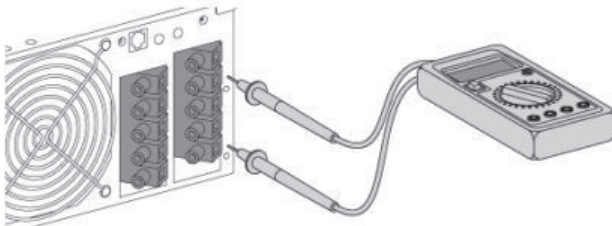


Tensión peligrosa y riesgo de pérdida de la carga: no manipule el interruptor de Bypass manual del ModularEasy a menos que el conjunto de cables de E/S ① esté conectado a los bloques de terminales del SAI.

5.3 Sustitución del SAI con el ModularEasy

5.3.3 9PXMEZ11Ki

- Después de abrir la tapa de los bloques de terminales de E/S del SAI defectuoso, compruebe que en estos ya no haya tensión peligrosa utilizando un multímetro de seguridad.



- Desconecte los cables de alimentación del ModularEasy y el cable de detección de ModularEasy del SAI defectuoso
- Vuelva a conectar de inmediato los cables de alimentación del ModularEasy y el cable de detección de ModularEasy a un nuevo SAI. Si no es posible volver a conectar de inmediato los cables de alimentación del ModularEasy, una sus tres cables (cables de línea y neutro conectados al cable de tierra) para evitar una descarga eléctrica y vuelva a conectarlos a un nuevo SAI más tarde.



Tensión peligrosa y riesgo de pérdida de la carga: no manipule el interruptor de Bypass manual del ModularEasy a menos que los cables de alimentación del ModularEasy estén conectados a bloques de terminales del SAI.



5.3.4 Vuelta al funcionamiento normal:

1. Compruebe que el nuevo SAI esté correctamente conectado al ModularEasy, consulte 4.1, 4.2 y 4.3
2. En el caso del 9PXMEZ6Ki, compruebe que el interruptor "output del SAI" del ModularEasy esté en la posición "I" (On). En el caso de 9PXMEZ11Ki, compruebe que los dos interruptores "output del SAI" del ModularEasy estén en la posición "I" (On)
3. Compruebe que el cable paralelo 9PX esté conectado y fijado correctamente (PN: 744-A2675).
4. Coloque el interruptor de Bypass manual del ModularEasy en la posición "Test" (Prueba).
5. Verifique que el SAI recibe alimentación correctamente (el panel de visualización del SAI está iluminado)
6. Compruebe que en los dos SAI se visualiza "1UPS + 1UPS redundante". No vaya al paso siguiente si no aparece esto y compruebe los dos siguientes puntos:



PN: 744-A2675

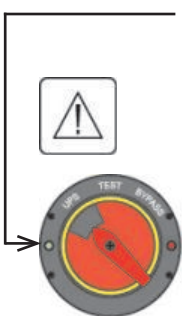


- a) Los dos SAI están conectados entre ellos con el cable paralelo, PN: 744-A2675
 - b) La versión de firmware del SAI es compatible con el sistema en paralelo:
Menú → Identificación → SAI/NMC firmware.
Si la palabra "Ready" no aparece justo al lado del número de firmware del SAI, póngase en contacto con su distribuidor de Eaton para descargar el firmware más reciente.
7. Pulse el botón "ON" de cualquiera de los dos SAI para iniciar el sistema en paralelo.
 8. Coloque el SAI en "modo Bypass interno"; consulte el manual del usuario del SAI.
 9. Verifique que el SAI esté en modo Bypass consultando el panel de visualización del SAI; consulte el manual del usuario del SAI.
 10. Compruebe que la luz verde del "modo SAI" del ModularEasy se ilumine, indicando que la alimentación de output del SAI está disponible en el ModularEasy

Importante: No continúe con el paso siguiente si la luz verde del "modo SAI" del ModularEasy continúa apagada (se perdería la carga).

11. Coloque el interruptor de Bypass manual del ModularEasy en la posición "UPS". La luz roja del "modo Bypass" del ModularEasy se apaga, indicando que la carga recibe ahora alimentación del SAI
12. Coloque el SAI en "modo En línea" (consulte el manual del usuario del SAI)
13. Compruebe que el SAI esté en "modo En línea" consultando el panel de visualización del SAI (consulte el manual del usuario del SAI)

Ahora la carga está protegida por el SAI.



6. Resolución de problemas

Problema	Posible causa	Acción
En un SAI aparece: "Load unbalance"	Uno de los interruptores "output del SAI" está apagado en la parte trasera del ModularEasy	Encienda el interruptor "output del SAI" del ModularEasy
No se puede descargar el firmware	Uno de los dos SAI está en modo En línea o Batería	Seleccione el modo Standby o Bypass

7. Especificaciones

	9PXMEZ6Ki	9PXMEZ11Ki
Bypass de input		
	N/A	Bloques de terminales
Salida (output)		
	4 IEC 16 A + Bloques de terminales	4 IEC 16 A + Bloques de terminales
Dimensiones totales Prof. x Ancho x Alto (P x L x A) (mm/in)		
	27 x 17 x 5/690 x 440 x 130	
Peso (kg/lb)		
	22,8/10,3	32,6/15
Rendimiento		
Tensión nominal	200 - 240 V ~	200 - 250 V ~
Frecuencia	50/60 Hz	
Corriente nominal de input	60 A	100 A
Potencia máxima	12 000 VA	22 000 VA
Estándares		
Seguridad	IEC/EN 62040-1/Ed.1: 2008	
EMC	IEC/ES 62040-2/Ed.2: 2006	
Rendimiento	IEC/EN 62040-3/Ed.2.0: 2011	
ESD	IEC 61000-4-2: nivel 3.	
Campo radiado	IEC 61000-4-3: nivel 3.	
EFT	IEC 61000-4-4: nivel 4.	
Transitorios rápidos	IEC 61000-4-5: nivel 4.	
Campo electromagnético	IEC 61000-4-6: nivel 3.	
Campo magnético conducido	IEC 61000-4-8: nivel 4.	
Etiquetado		
	CE	
Condiciones ambientales		
Temperatura de funcionamiento	De 0 a 40 °C (de 32 a 104 °F)	
Temperatura de almacenamiento	De -15 a 60 °C (de 5 a 140 °F)	
Temperatura de tránsito	De -25 a 55 °C (de -13 a 130 °F)	
Humedad	De 0 a 95 % sin condensación	
Altitud de funcionamiento	Hasta 3000 metros (9843 pies) sobre el nivel del mar con un 10 % de pérdida por cada 1000 m	
Altitud de tránsito	Hasta 10 000 metros (32 808 pies) sobre el nivel del mar	



ModularEasy

9PXMEZ6Ki

9PXMEZ11Ki

**Инструкции по
установке
и руководство
пользователя**

Copyright © 2014 **EATON**
Все права защищены.

Обслуживание и поддержка:
Обращайтесь к своему местному представителю по обслуживанию

ПРАВИЛА ТЕХНИКИ БЕЗОПАСНОСТИ

СОХРАНИТЕ ЭТИ ИНСТРУКЦИИ. Это руководство содержит важные инструкции, которые должны соблюдаться при установке и техническом обслуживании ModularEasy и ИБП.

Рассмотренные в этом руководстве модели ModularEasy предназначены для установки в свободной от электропроводных загрязнителей среде с температурой от 0 до 40 °С.

Эти ограничения были разработаны для обеспечения разумной защиты от вредных помех при эксплуатации оборудования в коммерческой среде. Это оборудование создает, использует и может излучать радиочастотную энергию, и если оно не установлено и не используется в соответствии с инструкцией по эксплуатации, то оно может создавать помехи для радиосвязи. Эксплуатация этого оборудования в жилом помещении может вызвать вредные помехи; в этом случае пользователь должен будет устранить помехи за свой счет.

Продукт сертифицирован по следующим стандартам (при работе с ИБП)

- Безопасность: IEC/EN 62040-1 / Редакция 1: 2008.
- ЭМП: IEC/EN 62040-2 / Редакция 2: 2006.
- Рабочие характеристики: IEC/EN 62040-3 / Редакция 2.0: 2011.
- IEC 61000-4-2 (Устойчивость к электростатическим разрядам): 3 уровень.
- IEC 61000-4-3 (Излучаемые поля): 3 уровень.
- IEC 61000-4-4 (Устойчивость к электрическим быстрым переходным процессам): 4 уровень.
- IEC 61000-4-5 (Устойчивость к микросекундным импульсным помехам): 4 уровень.
- IEC 61000-4-6 (Устойчивость к кондуктивным помехам): 3 уровень.
- IEC 61000-4-8 (Устойчивость к магнитному полю): 4 уровень.

Специальные символы

Ниже приведены примеры символов, используемых в ModularEasy для предупреждения о передаче важной информации.



ОПАСНОСТЬ ПОРАЖЕНИЯ ЭЛЕКТРИЧЕСКИМ ТОКОМ – Соблюдайте предупреждение, связанное с символом поражения электрическим током.



Важные инструкции, которые необходимо соблюдать всегда.



Этот символ означает, что вам не следует выбрасывать отходы электрического и электронного оборудования (WEEE) как мусор. Для правильной утилизации обращайтесь в местный центр утилизации и повторного использования материалов или в центр утилизации опасных отходов.



Информация, советы и помощь.

Безопасность людей

- При подключении к ИБП (батарея ИБП) система имеет собственный источник питания. Поэтому силовые розетки могут быть под напряжением, даже если система отключена от источника питания переменного тока. В системе имеются опасные уровни напряжения. Только квалифицированный обслуживающий персонал имеет право открывать этот модуль.
- Продукт должен быть заземлен надлежащим образом, всегда подключайте провод заземления первым

Безопасность продукции

- Инструкции и операции по подключению ModularEasy, описание которых приведено в этом руководстве, необходимо выполнять в указанном порядке. Должны быть предусмотрены устройства отключения и устройства защиты от сверхтоков для переменного тока во входных и выходных цепях.
- **ВНИМАНИЕ.** Для снижения риска возникновения пожара это устройство разрешается подключать только к такой цепи, в которой обеспечивается защита цепи от максимального тока (номинальное значение тока приведено в Руководстве пользователя ИБП). Необходимо обеспечить простой доступ к выключателю электропитания, расположенному со стороны сети. Блок можно отключить от источника питания переменного тока, разомкнув этот выключатель, и если оно все еще подключено к ИБП, то следует предварительно выключить ИБП (см. Руководство пользователя ИБП)
- Убедитесь, что номинальные значения на табличке соответствуют вашей системе питания переменного тока и фактическому потреблению электроэнергии всем оборудованием, которое будет подключено к этой системе.
- В случае ШТЕПСЕЛЬНОГО ОБОРУДОВАНИЯ сетевая розетка должна находиться недалеко от оборудования и быть доступной
- Не устанавливайте систему рядом с жидкостями или в чрезмерно влажной среде.
- Не допускайте попадания инородных предметов внутрь системы.
- Не подвергайте систему воздействию прямых солнечных лучей и источников тепла.
- Если необходимо обеспечить сохранность системы перед ее установкой, то храните ее в сухом месте.
- Допустимый диапазон температуры хранения: от $-15\text{ }^{\circ}\text{C}$ до $+60\text{ }^{\circ}\text{C}$.

Особые меры предосторожности

- Модули ModularEasy предназначены для работы с ИБП, аттестованными компанией EATON (обратитесь к своему реселлеру Eaton для получения дополнительной информации).
- ТОЛЬКО КВАЛИФИЦИРОВАННЫЙ ПЕРСОНАЛ СЕРВИСНОЙ СЛУЖБЫ может производить все работы по ремонту и техническому обслуживанию оборудования.
- Внутри ModularEasy **ОТСУТСТВУЮТ ОБСЛУЖИВАЕМЫЕ ПОЛЬЗОВАТЕЛЕМ ДЕТАЛИ.**

Содержание

1. Введение	5
1.1 Охрана окружающей среды	5
2. Презентация.....	6
2.1 Стандартное исполнение.....	6
2.2 Описание / Панели	7
2.3 Обновление программно-аппаратного обеспечения.....	8
2.4 Экран параллельных ИБП	8
2.5 Параллельная настройка.....	8
3. Установка	9
3.1 Осмотр оборудования.....	9
3.2 Распаковка ModularEasy	9
3.3 Проверка комплектации	9
3.4 Вертикальное исполнение	10
3.5 Исполнение для установки в стойку без дополнительного комплекта направляющих: 9RK.....	10
3.6 Пример настройки 19-дюймовой стойки с дополнительным EBM 9PX EBM 240V	11
3.7 Пример комплексной батарейной системы без дополнительного Trollet Frame: BINTSYS	11
3.8 Требования к установке	12
4. Подключение силовых кабелей.....	14
4.1 9PXMEZ6Ki.....	14
4.2 9PXMEZ11Ki – с общим Normal AC source и Bypass AC source	16
4.3 9PXMEZ11Ki – с отдельным Normal AC source и Bypass AC source.....	18
5. Эксплуатация.....	20
5.1 Ввод в эксплуатацию параллельной системы ИБП.....	20
5.2 Техническое обслуживание ИБП с применением ModularEasy	21
5.3 Замена ИБП с применением ModularEasy.....	22
6. Устранение неисправностей.....	24
7. Технические характеристики	24

Благодарим Вас за выбор продукта EATON для защиты электрооборудования.

Линейка ModularEasy была разработана с особой тщательностью.

Рекомендуем прочесть данное руководство для получения полного представления о множестве функций ModularEasy.

Перед установкой ModularEasy с ИБП не забудьте ознакомиться с правилами техники безопасности. Затем следуйте указаниям, приведенным в этом руководстве, которое дополняет Инструкцию по установке и руководство пользователя ИБП.

Чтобы познакомиться со всем ассортиментом продукции EATON, посетите наш веб-сайт по адресу www.eaton.com/powerquality или обратитесь к своему представителю EATON.

1.1 Охрана окружающей среды

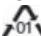
EATON разработала политику охраны окружающей среды. Продукция разрабатывается в соответствии с подходом экодизайна.

Вещества

Этот продукт не содержит хлорфторуглероды (CFC), гидрохлорфторуглероды и асбест.

Упаковка

Для облегчения переработки отходов и повторного использования отделите различные компоненты упаковки.

- Используемый картон включает более 50 % переработанного картона.
- Мешки и пакеты изготовлены из полиэтилена.
- Упаковочные материалы подлежат вторичной переработке, на них нанесен соответствующий идентификационный символ 

Материалы	Сокращения	Номер в символе 
Полиэтилентерефталат	PET (ТЭТФ)	01
Полиэтилен высокой плотности	HDPE (ПНД)	02
Поливинилхлорид	PVC (ПВХ)	03
Полиэтилен низкой плотности	LDPE (ПЭНП)	04
Полипропилен	PP (ПП)	05
Полистирол	PS (ПС)	06

Соблюдайте все местные нормы и правила утилизации упаковочных материалов.

По окончании срока службы



EATON переработает продукт в конце его срока службы в соответствии с местными правилами. EATON сотрудничает с компаниями, отвечающими за сбор и утилизацию наших продуктов по окончании их срока службы.

Продукт



Этот продукт изготовлен из перерабатываемых материалов. Разборка и уничтожение должны производиться в соответствии с местными правилами утилизации. По окончании срока службы продукт должен быть передан в центр утилизации электрических и электронных отходов.

2. Презентация

ModularEasy компании Eaton® – неотъемлемая часть системы Parallel. Он допускает общее подключение 2 ИБП. Кроме того, он позволяет обслуживать и даже заменять ИБП без воздействия на подключенные нагрузки.

Можно безопасно устранить последствия технического обслуживания ИБП и не прерывать работу подключенного оборудования.

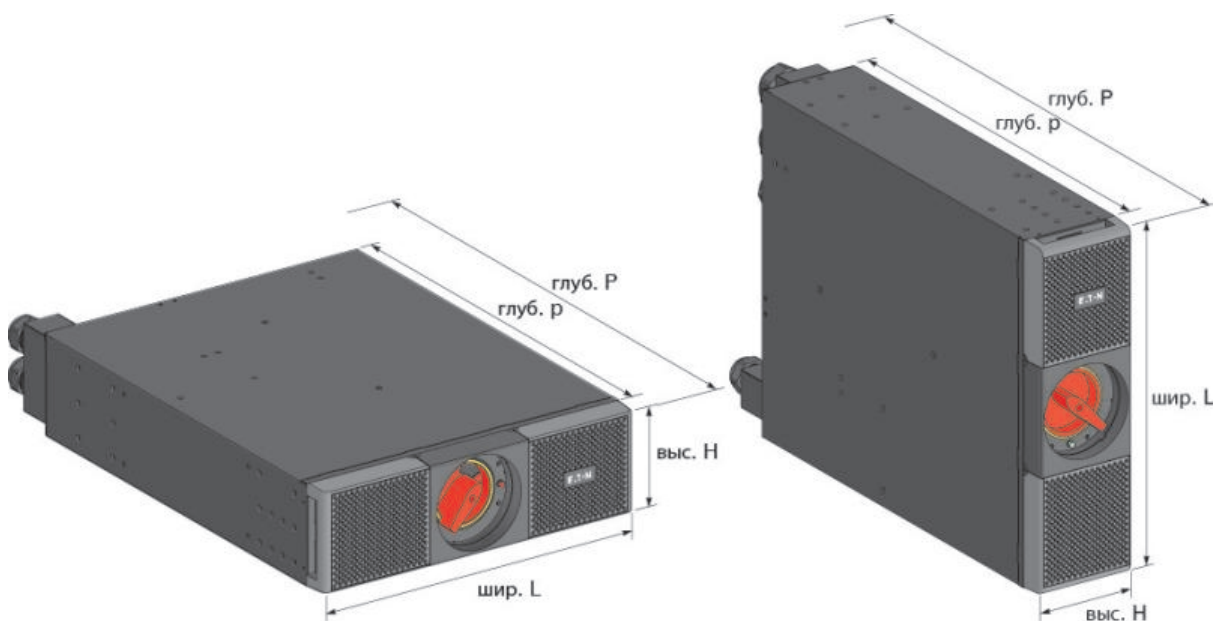
Модуль ModularEasy компании Eaton обеспечивает выдающуюся надежность, его уникальные преимущества включают перечисленные ниже возможности.

- Простое и быстрое подключение к ИБП за счет использования запатентованного разъема входа-выхода и сигнала "все в одном" (ModularEasy, диапазон 5/6 кВА)
- Возможность **"переключения без перерыва питания"**, которая позволит произвести полное обслуживание (непрерывность электропитания) при переключении из положения ИБП в положение байпас (и наоборот)
- Возможность взаимодействия с ИБП: обнаружение модулем ModularEasy соединения и положения переключателя (Normal (Нормальное) или Вурасс (Байпас))
- подключение нагрузки к клеммным колодкам и розеткам IEC (16A C19)

2.1 Стандартное исполнение

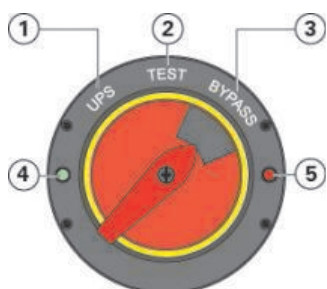
Исполнение для установки в стойку

Вертикальное исполнение



Описание	Вес (кг/lb)	Размеры (мм/дюймы) глуб. P x шир. L x выс. Н	Размеры стойки (мм/дюймы) глуб. p x шир. L x выс. Н
9PXMEZ6Ki	22,8 / 10,3	690 x 440 x 130 / 27 x 17 x 5	540 x 440 x 130 / 21,3 x 17 x 5
9PXMEZ11Ki	32,6 / 15	690 x 440 x 130 / 27 x 17 x 5	540 x 440 / 130 / 21,3 x 17 x 5

2.2 Описание / Панели



ModularEasy имеет ручной поворотный переключатель Байпас (Bypass) с двумя положениями:

- ① **UPS (ИБП):** нагрузка предоставляется ИБП.
- ② **Test (Тест):** нагрузка предоставляется напрямую источником переменного тока, два ИБП остаются в наборе, но их выходы отключены от нагрузки.
- ③ **Вурасс (Байпас):** нагрузка предоставляется напрямую источником переменного тока, два ИБП отключены от источника переменного тока.

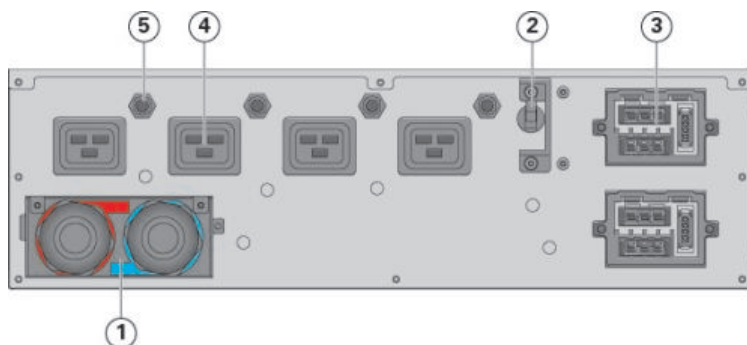
Индикаторы указывают состояние питания ModularEasy:

- ④ **зеленый индикатор "UPS supply" (Источник ИБП)** активен при наличии хотя бы одного выхода ИБП
- ⑤ **красный индикатор "Вурасс mode" (Режим байпаса)** активен при нахождении ручного переключателя Вурасс (Байпас) модуля ModularEasy в положении TEST (ТЕСТ) или ВУРАСС (БАЙПАС) **Нагрузка не защищена.**



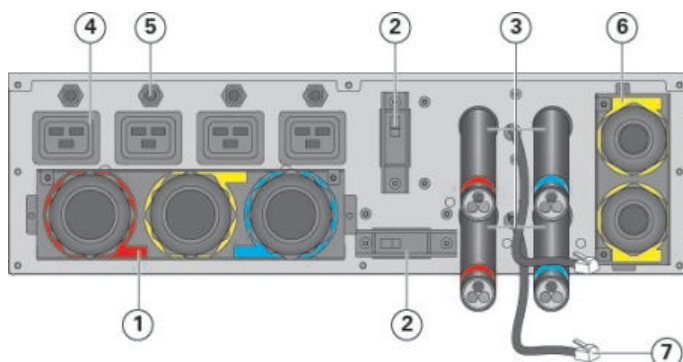
На 9PХМЕZ11Ki существует возможность обхода нагрузки на отдельный Вурасс AC source (более подробная информация приведена в "4.3 9PХМЕZ11Ki – с отдельным Normal AC source и Вурасс AC source", Страница 18).

9PХМЕZ6Ki



- ① Клеммные колодки входа-выхода
- ② Выходной переключатель ИБП
- ③ Кабели входа-выхода для подключения к ИБП1 и ИБП2
- ④ Розетки 16 А
- ⑤ Выключатель розеток
- ⑥ Вход обходного (Вурасс) источника ИБП1 и ИБП2
- ⑦ Сигнальный кабель обнаружения 9PХМЕZ для ИБП

9PХМЕZ11Ki



Выходной переключатель ИБП ② позволяет отключать подаваемое с ИБП электропитание для технического обслуживания или замены ИБП. См. "5. Эксплуатация", Страница 20

Обнаружение статуса ModularEasy ⑦:

Сигнальный кабель RJ11 позволяет отображать следующие статусы на дисплее ИБП:

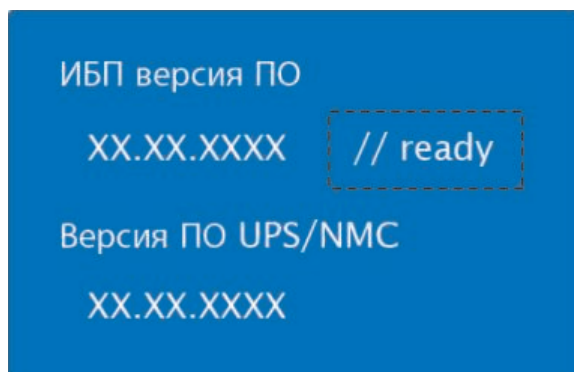
- Подключение ModularEasy к ИБП
- Положение переключателя Байпаса

2. Презентация

2.3 Обновление программно-аппаратного обеспечения

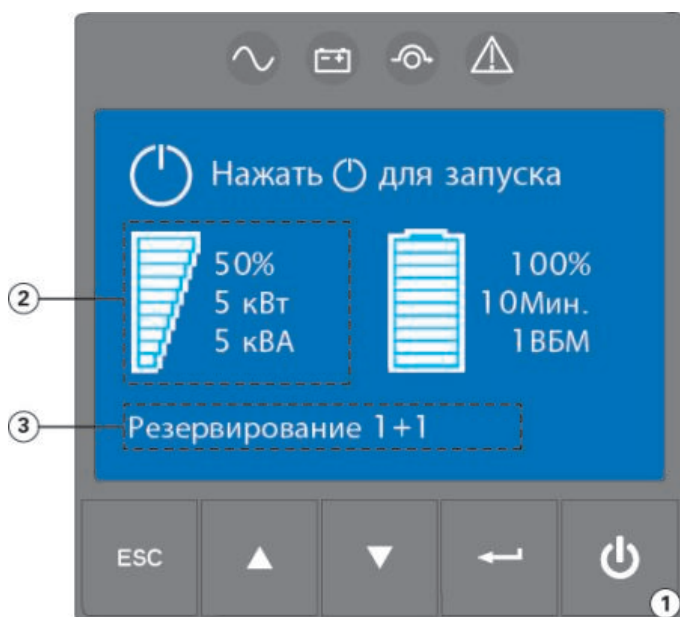


Проверьте версию программно-аппаратного обеспечения ИБП на совместимость с режимом параллельной работы:
Меню → Идентификация → Версия ПО UPS/NMC.



Если **рядом с номером программно-аппаратного обеспечения ИБП нет надписи "// Ready"**, ИБП нельзя подключить в режиме параллельной работы.
Свяжитесь со своим реселлером Eaton для загрузки последней версии программно-аппаратного обеспечения.

2.4 Экран параллельных ИБП



- 1 Для запуска параллельной системы нажмите кнопку любого из двух ИБП.
- 2 Дисплей Power (Мощность) отображает мощность ИБП, а не мощность нагрузки. Мощность нагрузки представляет собой сумму отображаемой мощности ИБП1 + ИБП2.
- 3 "Резервирование 1+1" означает, что мощность нагрузки меньше, чем максимальная мощность одного ИБП. "Резервирование 2+0" означает, что мощность нагрузки больше, чем максимальная мощность одного ИБП. "Резервирование 1+0" означает, что нагрузка подается только с одного ИБП.

2.5 Параллельная настройка

Для вызова меню настроек нажмите кнопку Enter (↵).

Главное меню	Подменю	Доступные настройки	
Настройки	Настр вход/выход	Режим резервирования	[Парал работа]
			[Только резервир]

[Парал работа]: установите этот режим, чтобы отключить звуковую аварийную сигнализацию. Она срабатывает, если мощность нагрузки выше максимальной мощности одного ИБП: по умолчанию выставлен режим "Парал работа".

[Только резервир]: установите этот режим, чтобы включить звуковую аварийную сигнализацию. Она срабатывает, если мощность нагрузки выше максимальной мощности одного ИБП.

3.1 Осмотр оборудования

Если какое-либо оборудование было повреждено при транспортировке, то сохраните транспортную тару и упаковочные материалы для перевозчика или продавца и предъявите претензию о повреждении при транспортировке. Если вы обнаружите повреждение после приемки, то подайте иск о скрытом повреждении. Чтобы подать претензию о повреждении при транспортировке или скрытом повреждении:

1. Отправьте претензию компании-перевозчику в течение 15 дней с момента получения оборудования;
2. Отправьте копию о возмещении ущерба в течение 15 дней своему представителю сервисной службы.

3.2 Распаковка ModularEasy

Распакуйте оборудование и удалите все упаковочные материалы и упаковку.

Выбросьте или утилизируйте упаковку ответственным образом, либо сохраните ее для использования в будущем.

Разместите модуль в защищенной области, в которой обеспечены достаточный воздушный поток и влажность воздуха, отсутствуют горючие газы и не наблюдается коррозия.

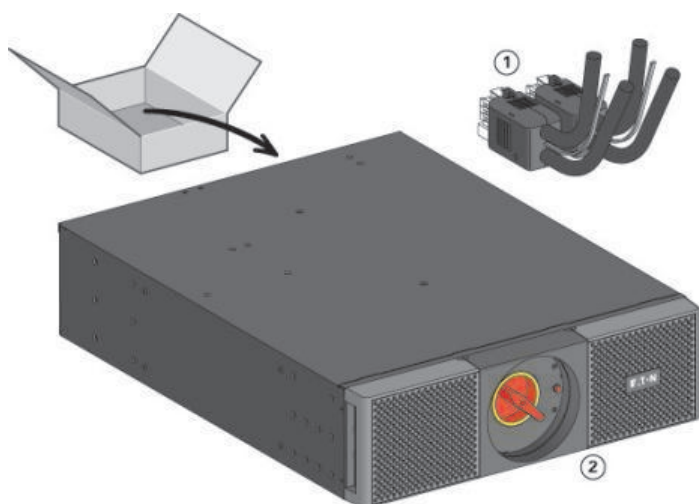


Необходимо утилизировать упаковочные материалы в соответствии с местными правилами утилизации. Для облегчения сортировки символы переработки напечатаны на упаковочных материалах.

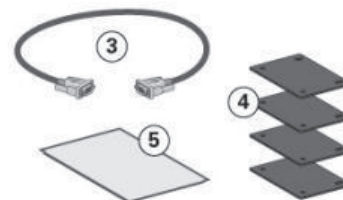
3.3 Проверка комплектации

- Убедитесь, что следующие факультативные позиции включены в ModularEasy:

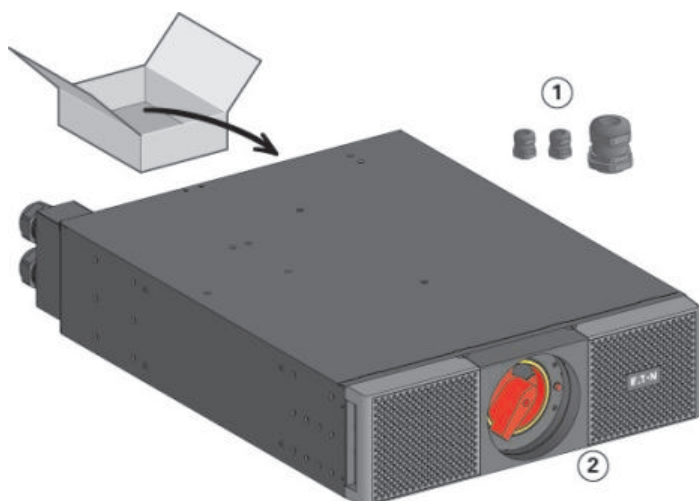
9PXMEZ6Ki



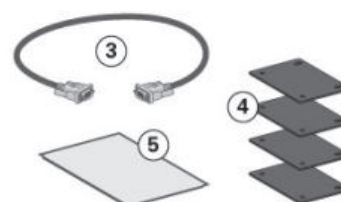
- ① Набор кабелей входа-выхода ИБП
- ② Монтажная панель ModularEasy
- ③ Сер. номер параллельного кабеля 9PX: 744-A2675
- ④ Комплект вертикального исполнения и для настенной установки (в том числе 4 скобы и винты)
- ⑤ Инструкции по установке и руководство пользователя



9PXMEZ11Ki

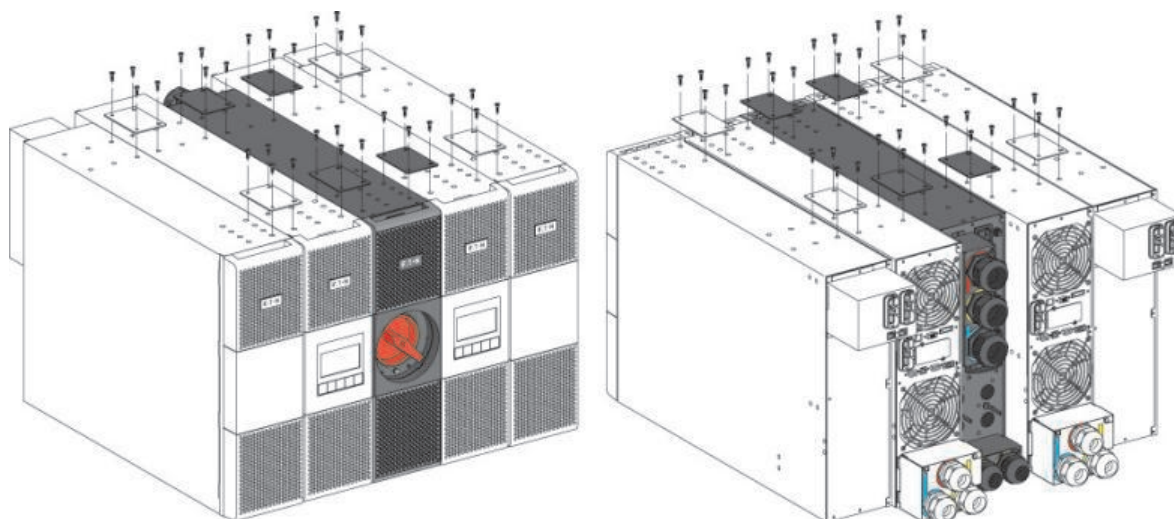


- ① Кабельный ввод
- ② Монтажная панель ModularEasy
- ③ Сер. номер параллельного кабеля 9PX: 744-A2675
- ④ Комплект вертикального исполнения и для настенной установки (в том числе 4 скобы и винты)
- ⑤ Инструкции по установке и руководство пользователя

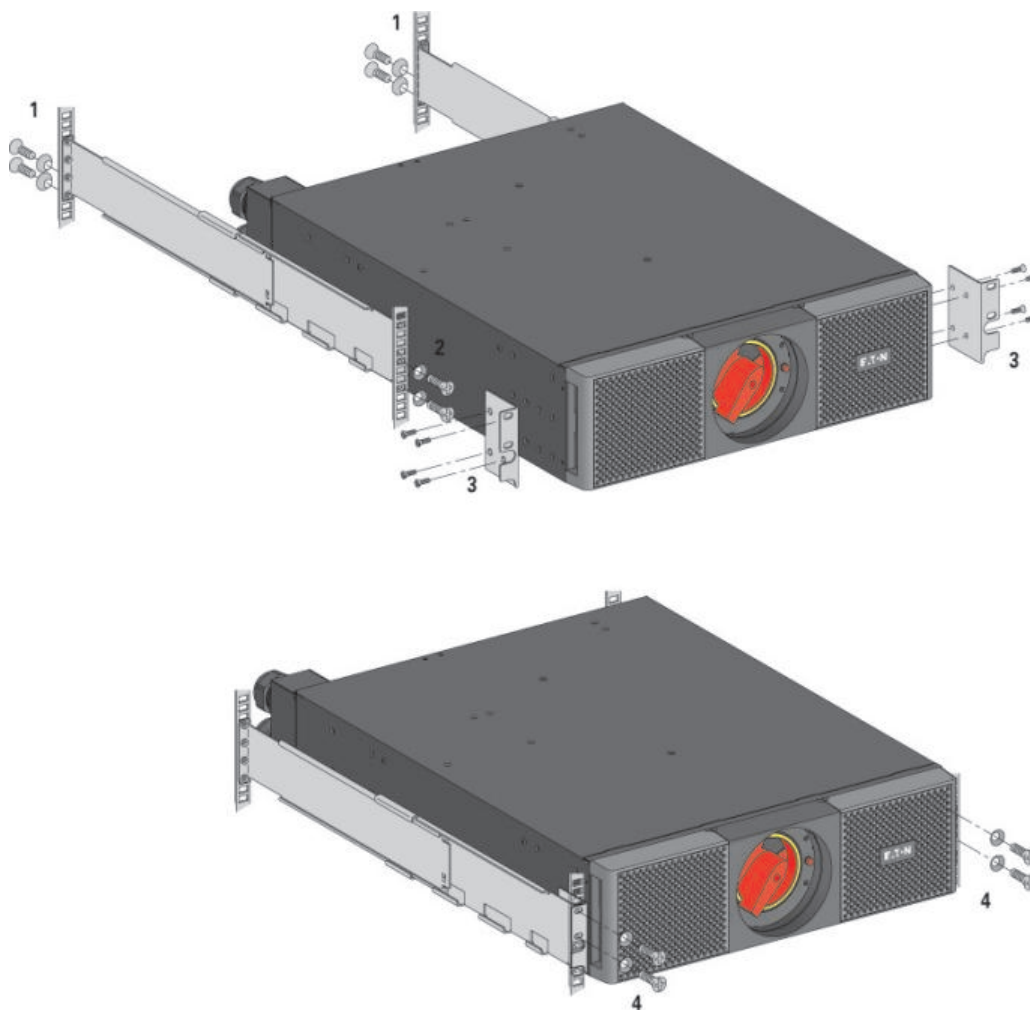


3. Установка

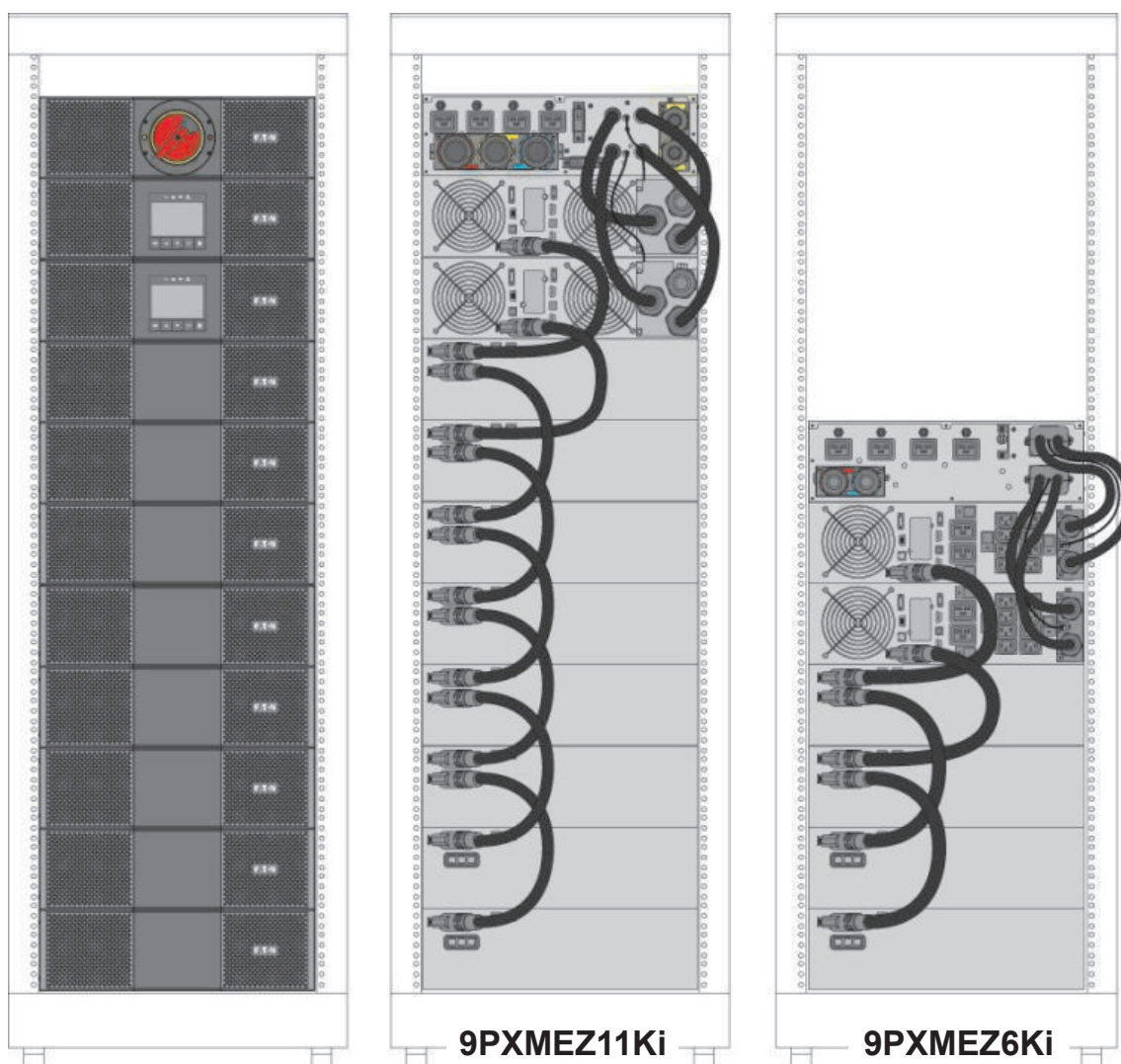
3.4 Вертикальное исполнение



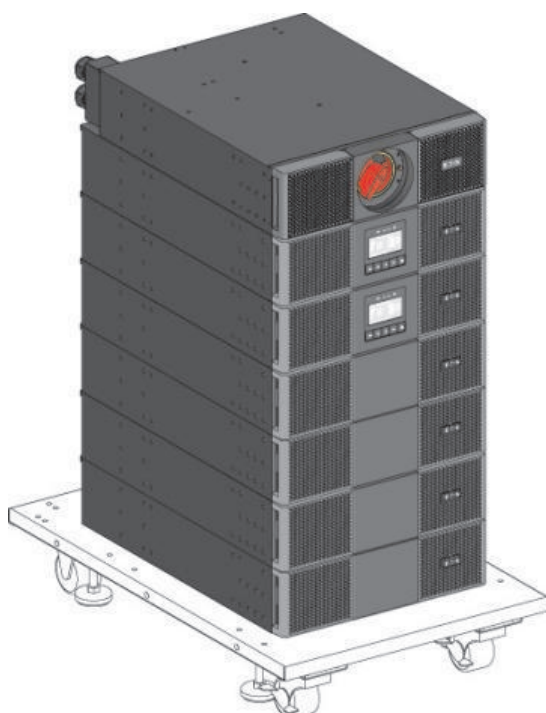
3.5 Исполнение для установки в стойку без дополнительного комплекта направляющих: 9RK



3.6 Пример настройки 19-дюймовой стойки с дополнительным EBM 9PX EBM 240V



3.7 Пример комплексной батарейной системы без дополнительного Trollet Frame: BINTSYS



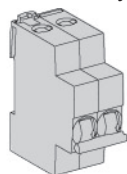
3. Установка

3.8 Требования к установке

Рекомендуемые защитные устройства и сечения кабелей

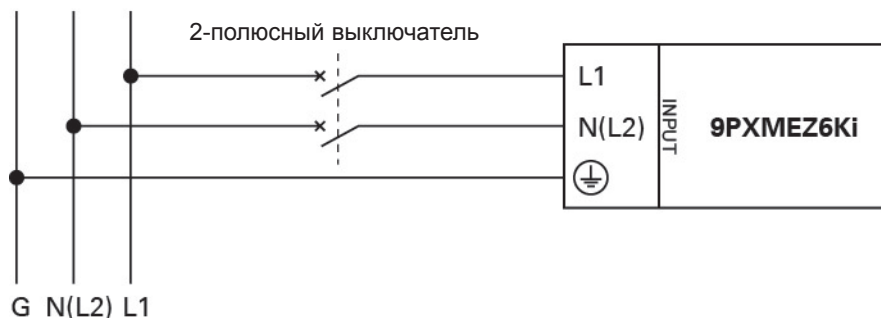
3.8.1 Использование 9PXMЕZ6Ki с ИБП 9PХ6000 или 9PХ5000

- Рекомендуемые защитные устройства



Кривая D, 63 А для Парал работа

Кривая D, 32 А для Только резервир

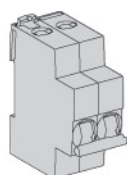


- Рекомендуемые сечения кабелей:

	Расположение контактов	Функция проводки	Номинальный размер провода с клеммой	Номинальный размер провода минимального входа	Кривая D выключателя
9PXMЕZ6Ki Парал работа	L1	Фаза	4—25 мм ² (12-4 AWG)	10 мм ² (8 AWG)	63 А
	N (L2)	Нейтраль (фаза)			
	⊕	Земля			
9PXMЕZ6Ki Только резервир	L1	Фаза	4—25 мм ² (12-4 AWG)	6 мм ² (10 AWG)	32 А
	N (L2)	Нейтраль (фаза)			
	⊕	Земля			

3.8.2 Использование 9PXMЕZ11Ki с ИБП 9PХ8000 или 9PХ11000

- Рекомендуемые защитные устройства общего входящего источника



Для Парал работа

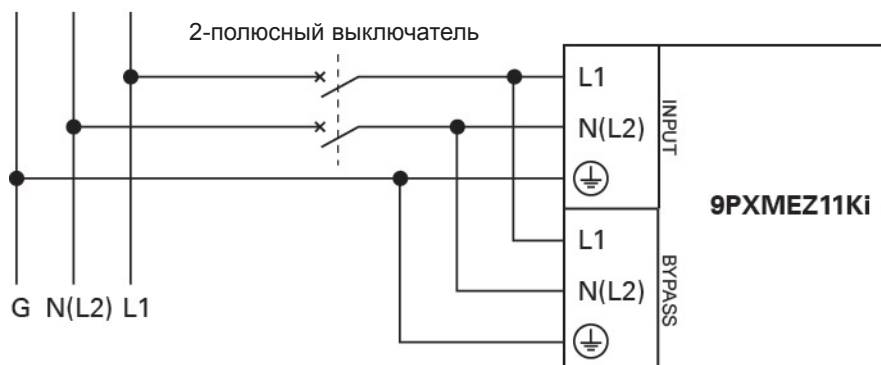
Кривая D, 125 А при использовании с ИБП 9PХ11000

Кривая D, 100 А при использовании с ИБП 9PХ8000

Для Только резервир

Кривая D, 63 А при использовании с ИБП 9PХ11000

Кривая D, 50 А при использовании с ИБП 9PХ8000

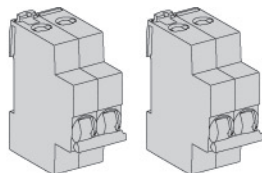


3.8 Требования к установке

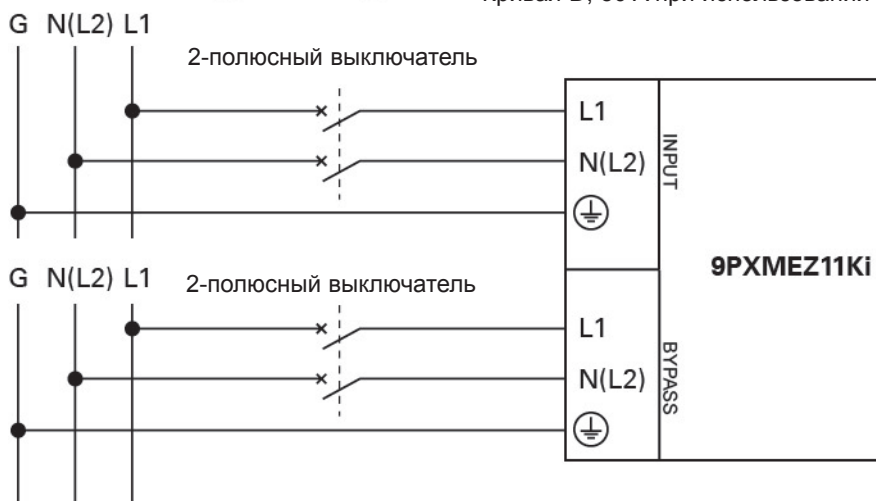
Рекомендуемые защитные устройства и сечения кабелей

3.8.3 Использование 9PXM EZ11Ki с ИБП 9PX8000 или 9PX11000

- Рекомендуемые защитные устройства отдельного входящего источника



Для Парал работа
 Кривая D, 125 А при использовании с ИБП 9PX11000
 Кривая D, 100 А при использовании с ИБП 9PX8000
 Для Только резервир
 Кривая D, 63 А при использовании с ИБП 9PX11000
 Кривая D, 50 А при использовании с ИБП 9PX8000



- Рекомендуемые сечения кабелей:

9PXM EZ11Ki	Normal AC source и Bypass AC source				
	Расположение контактов	Функция проводки	Номинальный размер провода с клеммой	Номинальный размер провода минимального входа	Кривая D выключателя
Парал работа с ИБП 9PX11000	L1	Фаза	4—35 мм ² (12-4 AWG)	35 мм ² (1 AWG)	125 А
	N (L2)	Нейтраль (фаза)			
	⊕	Земля			
Парал работа с ИБП 9PX8000	L1	Фаза	4—35 мм ² (12-4 AWG)	25 мм ² (2 AWG)	100 А
	N (L2)	Нейтраль (фаза)			
	⊕	Земля			
Только резервир с ИБП 9PX11000	L1	Фаза	4—35 мм ² (12-4 AWG)	10 мм ² (8 AWG)	63 А
	N (L2)	Нейтраль (фаза)			
	⊕	Земля			
Только резервир с ИБП 9PX8000	L1	Фаза	4—35 мм ² (12-4 AWG)	10 мм ² (8 AWG)	50 А
	N (L2)	Нейтраль (фаза)			
	⊕	Земля			

4. Подключение силовых кабелей



Этот тип соединения должен выполняться квалифицированным электротехническим персоналом.

Перед подключением удостоверьтесь, что вышестоящее защитное устройство (Normal AC source) открыто (положение "O" – Off).

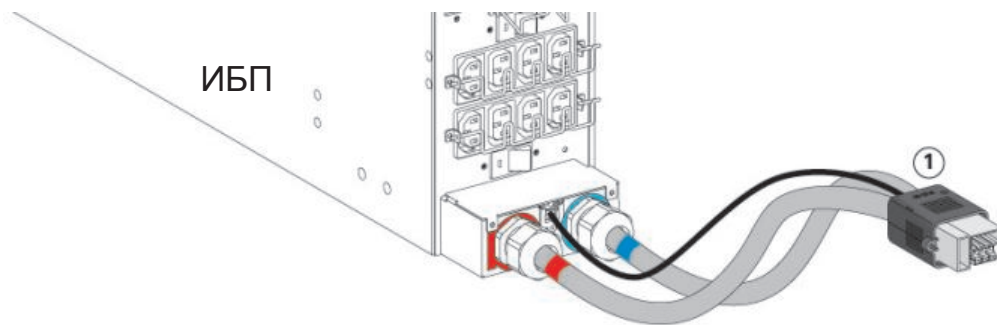


Перед тем, как продолжить подключение ModularEasy к ИБП, убедитесь, что ИБП был правильно выключен (см. руководство пользователя ИБП).

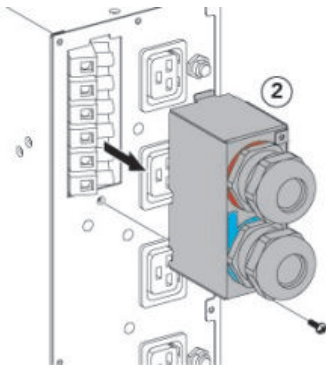
Всегда в первую очередь подключайте заземляющий провод.

4.1 9PXMEZ6Ki

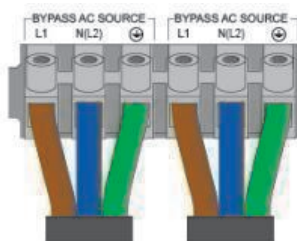
1. Подключите 2 силовых кабеля из набора входа-выхода ① к клеммным колодкам входа-выхода ИБП. Следуйте цветовой маркировке на кабелях и крышке блока входа-выхода ИБП (синий для входа ИБП / красный для выхода ИБП). Для уточнения подключения к клеммным колодкам ИБП обратитесь к руководству пользователя ИБП.
2. Подключите кабель обнаружения ModularEasy из набора входа-выхода ① к нужному разъему ИБП ("Обнаружен Внеш.байпас", см. руководство пользователя ИБП "614-09200").



3. Чтобы получить доступ к клеммным колодкам ModularEasy, удалите крепежный винт и сдвиньте крышку блока входа-выхода ModularEasy ②



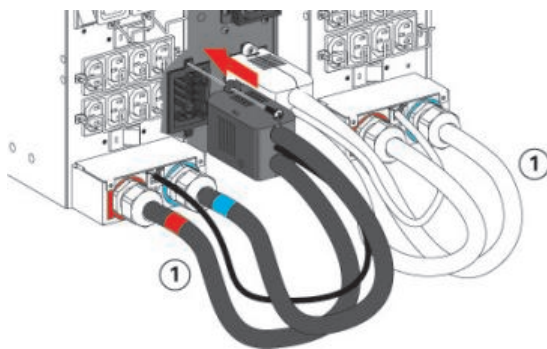
4. Пропустите кабель Normal AC source через кабельный ввод
5. Подключите провода к входным (Input) клеммным блокам Normal AC source
6. Пропустите выходной (Output) кабель через кабельный ввод
7. Подключите провода к выходным клеммным блокам (Output)



8. Затяните кабельные вводы
9. Верните крышку блока входа-выхода ModularEasy на место ② и затяните винт

4. Подключение силовых кабелей

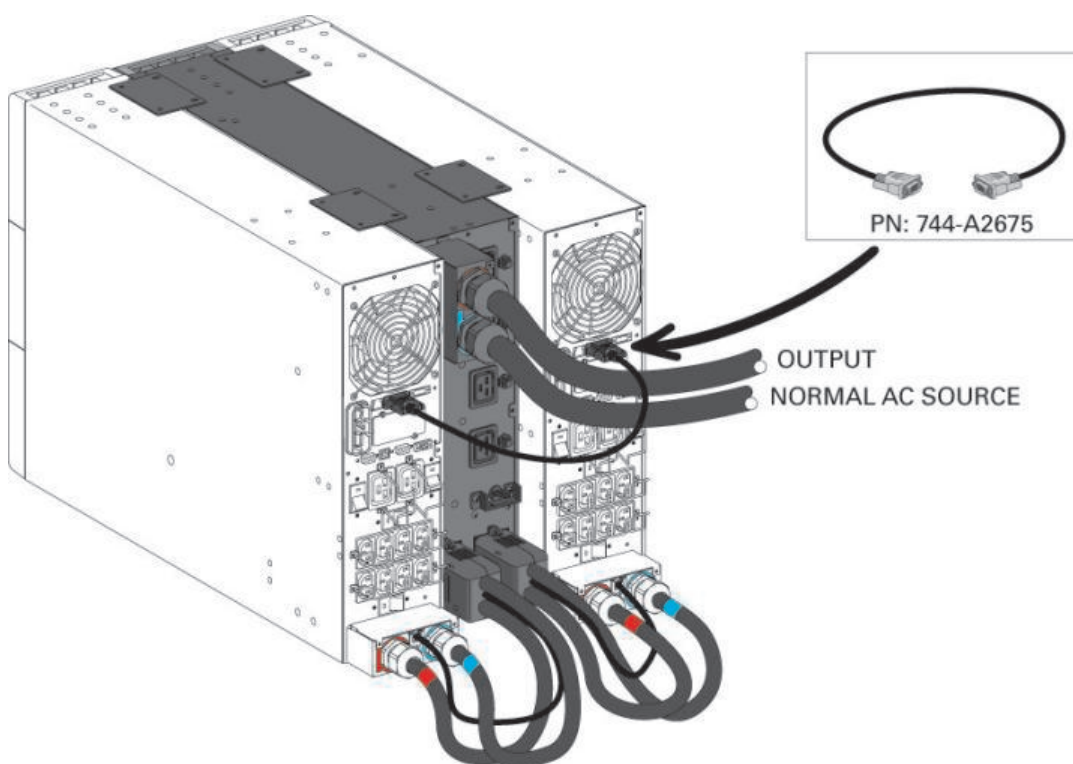
10. Подключите разъем набора кабеля входа-выхода ① к ModularEasy и закрепите его двумя крепежными винтами



11. Соедините два ИБП с помощью кабеля параллельной работы 9PX и зафиксируйте кабель.



При первом запуске и для оптимального использования необходимо применить определенный кабель параллельной работы.

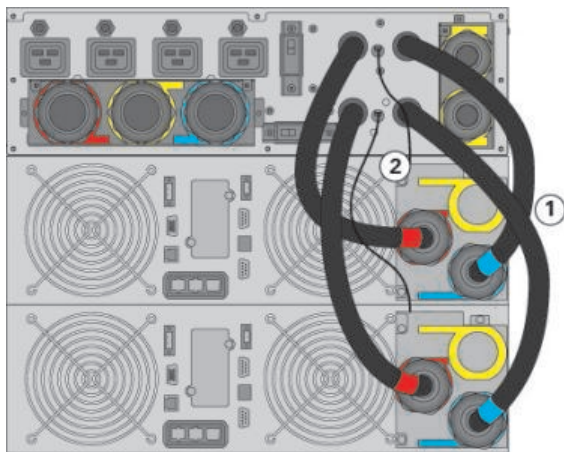


4. Подключение силовых кабелей

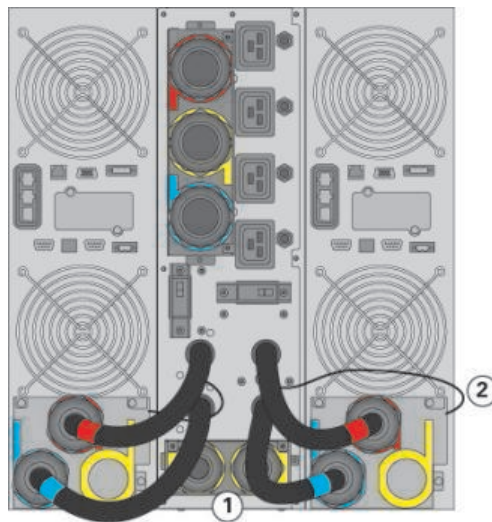
4.2 9PXMEZ11Ki – с общим Normal AC source и Bypass AC source

1. Подключите 4 соединенных силовых кабеля ① к клеммным колодкам входа-выхода ИБП1 и ИБП2 согласно цветовой кодировке кабелей и крышки блока входа-выхода ИБП (синий цвет для входа ИБП, красный цвет для выхода ИБП). Не удаляйте перемычку переменного тока на байпасном входе ИБП, расположенную под крышкой блока входа-выхода ИБП. Для уточнения подключения к клеммным колодкам ИБП обратитесь к руководству пользователя ИБП.
2. Подключите кабели обнаружения ModularEasy ② к нужному разъему ИБП ("Обнаружен Внеш.байпас", см. руководство пользователя ИБП "614-09260").

Исполнение для установки в стойку

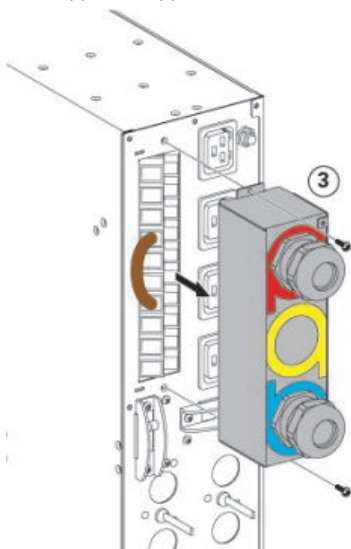


Вертикальное исполнение



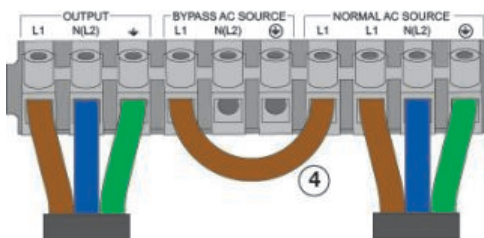
Не удлиняйте и не укорачивайте идущий в комплекте силовой кабель.

3. Чтобы получить доступ к клеммным колодкам ModularEasy, ③ удалите 2 винта и сдвиньте крышку блока входа-выхода.



4. Подключение силовых кабелей

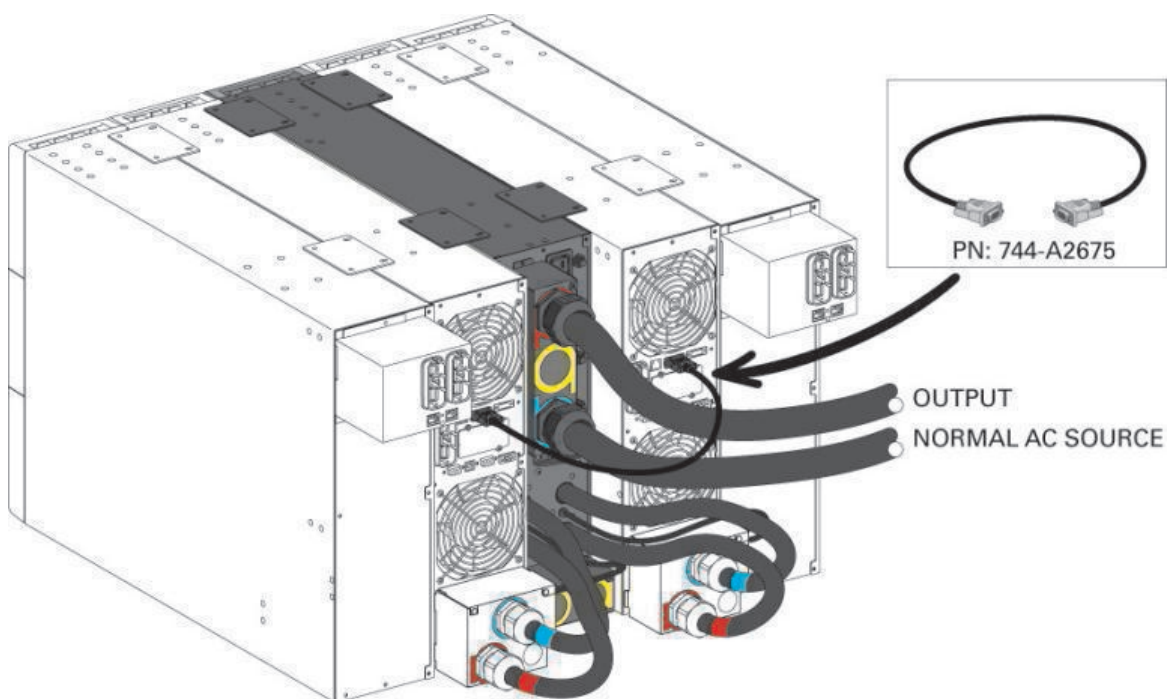
4. Пропустите кабель Normal AC source через кабельный ввод.
5. Подключите провода к входным (Input) клеммным колодкам Normal AC source. Не удаляйте перемычку переменного тока на байпасном входе ИБП ④ и перемычку на байпасном входе ИБП, расположенную под крышкой блока входа-выхода ИБП. См. руководство пользователя ИБП.
6. Пропустите выходной кабель (Output) через кабельный ввод.
7. Подключите провода к выходным (Output) клеммным колодкам.



8. Затяните кабельные вводы.
9. Отодвиньте крышку блока входа-выхода ModularEasy ③ и зафиксируйте ее 2 винтами.
10. Проверьте ЕВМ, подключенный к ИБП.
11. Соедините два ИБП с помощью кабеля параллельной работы 9РХ и зафиксируйте кабель.



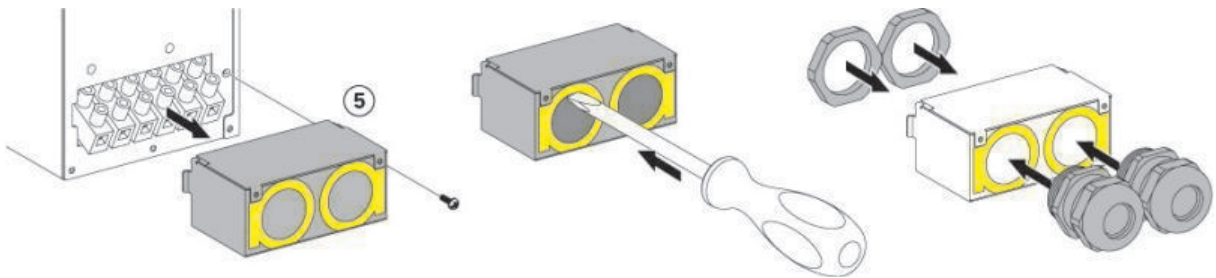
При первом запуске и для оптимального использования необходимо применить определенный кабель параллельной работы.



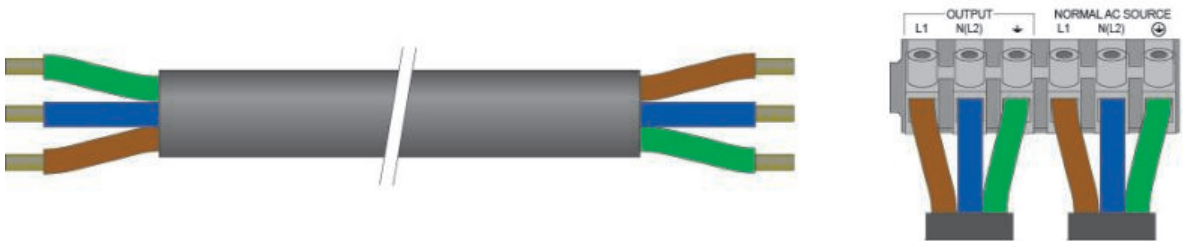
4. Подключение силовых кабелей

4.3 9PXM EZ11Ki – с раздельным Normal AC source и Bypass AC source

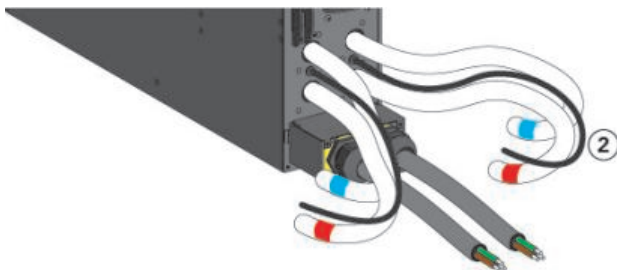
1. Удалите винт и сдвиньте крышку ⑤ блока байпасного входа ModularEasy.
2. Удалите две заглушки выбивных отверстий на крышке блока байпасного входа ModularEasy ⑤ и вставьте в них два малых предоставленных кабельных ввода.



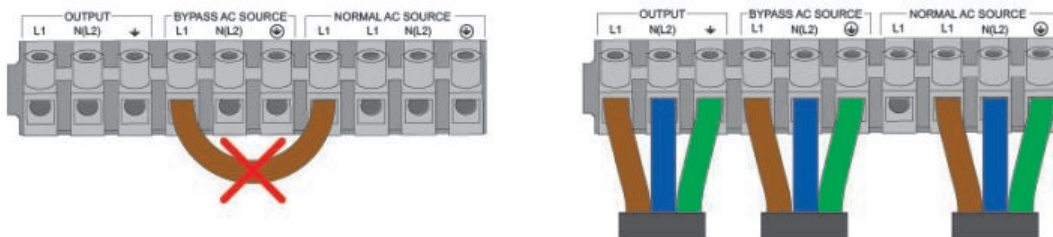
3. Проведите силовой кабель через все кабельные вводы крышки байпасного входа ModularEasy ⑤. Кабели не включены в комплект упаковки. Рекомендуется использовать кабель с 3 жилами, 50 см длиной и минимальным номиналом размера провода: 10 мм² (8 AWG).



4. Подключите провода к клеммным колодкам "Input BP" крышки байпасного входа ModularEasy ⑤.
5. Затяните кабельный ввод.
6. Отодвиньте крышку блока байпасного входа ModularEasy ⑤ и зафиксируйте ее винтом.



7. Подключите 4 идущих в комплекте силовых кабеля и 2 ранее установленных силовых кабеля байпасного входа к клеммным колодкам входа-выхода ИБП1 и ИБП2. Следуйте цветовой кодировке кабелей и крышки блока входа-выхода ИБП (синий цвет для входа ИБП, красный цвет для выхода ИБП, желтый цвет байпасного входа ИБП). Для уточнения подключения к клеммным колодкам ИБП обратитесь к руководству пользователя ИБП. Не забудьте **удалить перемычку переменного тока на байпасном входе ИБП**.
8. Подключите кабель обнаружения ModularEasy ② к нужному разъему ИБП (см. руководство пользователя ИБП).
9. Чтобы получить доступ к клеммным колодкам ModularEasy, ③ удалите два винта и сдвиньте крышку блока входа-выхода.

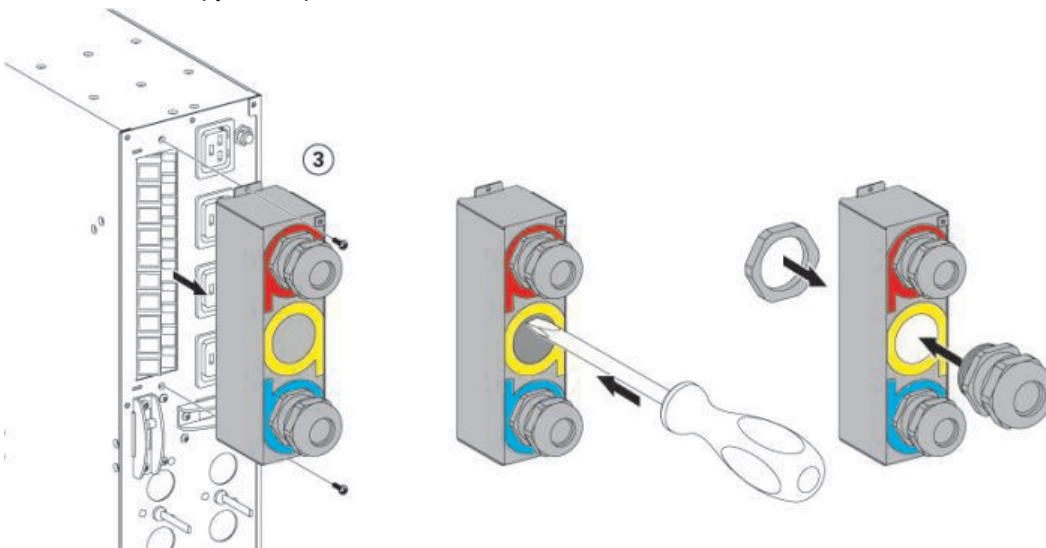


До

После

4. Подключение силовых кабелей

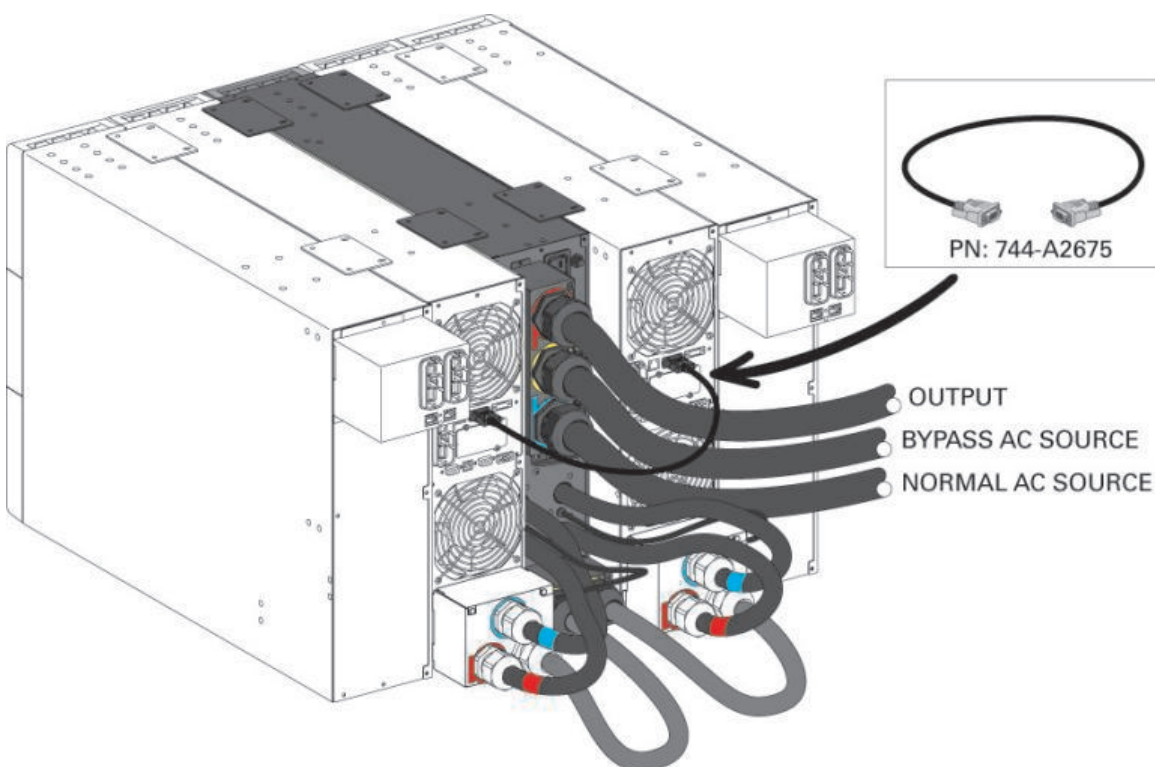
10. Удалите перемычку переменного тока байпасного входа ④.
11. Удалите заглушку отверстия Bypass AC source на крышке блока входа-выхода ModularEasy ③ и вставьте в него более крупный предоставленный кабельный ввод.



12. Пропустите кабель Normal AC source через кабельный ввод.
13. Подключите провода к клемме Input Normal AC source.
14. Пропустите кабель Bypass AC source через кабельный ввод.
15. Подключите провода к входным (Input BP) клеммным колодкам Bypass AC source.
16. Пропустите выходной кабель (Output) через кабельный ввод.
17. Подключите провода к выходным (Output) клеммным колодкам.
18. Затяните кабельные вводы.
19. Отодвиньте крышку блока входа-выхода ModularEasy ③ и зафиксируйте ее двумя винтами.
20. Проверьте ЕВМ, подключенный к ИБП.
21. Соедините два ИБП с помощью кабеля параллельной работы 9РХ и зафиксируйте кабель.



При первом запуске и для оптимального использования необходимо применить определенный кабель параллельной работы.



5. Эксплуатация

5.1 Ввод в эксплуатацию параллельной системы ИБП



Во избежание появления аварийного сигнала о перегрузке в режиме "Только резервир" убедитесь, что общий номинал оборудования не превышает емкости одного ИБП.
Во избежание появления аварийного сигнала о перегрузке в режиме "Парал работа" убедитесь, что общий номинал оборудования не превышает емкости двух ИБП.

1. Убедитесь в правильности подключения двух ИБП к ModularEasy (см. "4. Подключение силовых кабелей", Страница 14).

Если ИБП оснащен розетками, последние использовать нельзя (нагрузку можно подавать только к розеткам или выходным (Output) клеммным колодкам ModularEasy)



Убедитесь, что два ИБП соединены с помощью кабеля параллельной работы 9PX.



Сер. номер: 744-A2675



2. Убедитесь, что клеммные колодки ModularEasy подключены к источнику переменного тока и к Bypass AC source (*)
3. Убедитесь, что ручной байпасный (Bypass) переключатель ModularEasy находится в положении **"UPS"**
4. Для 9PXMEZ6Ki установите переключатель выхода ИБП ModularEasy в положение "I" (Вкл.)
Для 9PXMEZ11Ki установите переключатели выхода двух ИБП ModularEasy в положение "I" (Вкл.)
5. Установите выключатель источника переменного тока на стороне сети (не прилагается) в положение "I" (Вкл.), чтобы включить сетевое питание (см. "3.4 Вертикальное исполнение", Страница 10).
Установите выключатель байпасного источника на стороне сети (не прилагается) в положение "I" (Вкл.), чтобы включить байпасное питание (*).
6. Убедитесь в правильной подаче питания двум ИБП (дисплеи ИБП будут освещены)
7. Убедитесь, что на дисплеях двух ИБП есть строка **"Резервирование 1+1"**. Не переходите к следующему шагу до появления этой строки. Убедитесь, что выполнены два представленных ниже требования.



- a) Два ИБП соединены с помощью кабеля параллельной работы, сер. номер: 744-A2675
- b) Версия программно-аппаратного обеспечения ИБП поддерживает параллельную работу:
Меню → Идентификация → Версия ПО UPS/NMC.
Если рядом с номером программно-аппаратного обеспечения ИБП нет надписи **"// Ready"**, свяжитесь со своим реселлером Eaton для загрузки последней версии прошивки.

8. Выберите режим **"Только резервир"** или **"Парал работа"** в пункте Меню → Настройки → Настр вход/выход → Режим резервирования.
 - По умолчанию выставлен режим **"Парал работа"**. В режиме "Парал работа" не срабатывает звуковая аварийная сигнализация, если мощность нагрузки выше максимальной мощности одного ИБП.
 - В режиме **"Только резервир"** срабатывает звуковая аварийная сигнализация, если мощность нагрузки выше максимальной мощности одного ИБП.
9. Для запуска параллельной системы нажмите кнопку **"ON"** (Вкл.) на любом из двух ИБП.

(*) **Только в случае, если подключен Bypass AC source (только для 9PXMEZ11Ki).**

5.2 Техническое обслуживание ИБП с применением ModularEasy

Техническое обслуживание ИБП:

1. Переведите оба ИБП в "**Internal Bypass mode**" (Режим внутреннего байпаса, см. руководство пользователя ИБП)
2. Убедитесь, что оба ИБП работают в режиме байпаса (Bypass). Для этого проверьте дисплей ИБП (см. руководство пользователя ИБП).
3. Переведите ручной переключатель байпаса ModularEasy в положение "Test" (Тест). На корпусе ModularEasy загорится красный индикатор байпаса "Bypass". Это значит, что нагрузка поступает напрямую от источника переменного тока или от дополнительного Bypass AC source на 9PXMEZ11Ki.
4. Чтобы проверить ИБП по отдельности, переводите переключатель выхода ИБП ModularEasy в положение "0" (OFF).
Чтобы проверить два ИБП в режиме параллельной работы, переведите переключатель выхода ИБП ModularEasy в положение "1" (ON).
5. Выполните операции технического обслуживания ИБП (см. руководство пользователя ИБП).



Возвращение к нормальной работе:

1. – **9PXMEZ6Ki**: убедитесь, что переключатель "UPS output" (Выход ИБП) ModularEasy находится в положении "I" (Вкл).
– **9PXMEZ11Ki**: убедитесь, что два переключателя "UPS output" (Выход ИБП) ModularEasy находятся в положении "I" (Вкл).
2. Убедитесь, что ИБП находится в режиме "Bypass" (Байпас). Для этого проверьте дисплей ИБП (см. руководство пользователя ИБП).

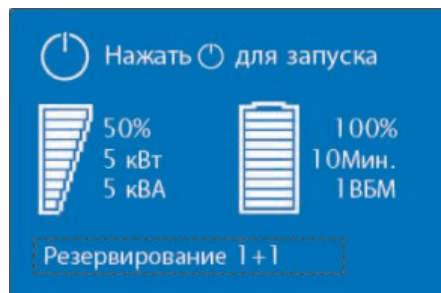


3. Убедитесь, что кабель параллельного подключения 9PX правильно подсоединен и зафиксирован.



Сер. номер: 744-A2675

4. Убедитесь, что на дисплеях обоих ИБП есть строка "**Резервирование 1+1**". Не переходите к следующему шагу до появления этой строки. Убедитесь, что выполнены два представленных ниже требования.



- а) Два ИБП соединены с помощью кабеля параллельной работы, сер. номер: 744-A2675
- б) Версия программно-аппаратного обеспечения ИБП поддерживает параллельную работу: Меню → Идентификация → Версия ПО UPS/NMC.
Если рядом с номером программно-аппаратного обеспечения ИБП нет надписи "**// Ready**", свяжитесь со своим реселлером Eaton для загрузки последней версии прошивки.

5. Убедитесь, что на ModularEasy загорелся зеленый индикатор "**UPS mode**" (Режим ИБП). Это значит, что для ModularEasy поступает питание с выхода ИБП.



Важно. Не переходите к следующему шагу, если зеленый индикатор "**UPS mode**" ModularEasy не горит (нагрузка будет потеряна).

6. Переведите ручной байпасный (Bypass) переключатель ModularEasy в положение "**UPS**" (ИБП). Красный индикатор "**Bypass mode**" (Режим байпаса) на корпусе ModularEasy погаснет. Это значит, что теперь нагрузка поступает с ИБП.
7. Переведите ИБП в режим "**Online**" (ИБП online) – см. руководство пользователя ИБП.
8. Убедитесь, что ИБП находится в режиме "Online". Для этого проверьте дисплей ИБП (см. руководство пользователя ИБП).


Теперь нагрузка защищена ИБП.

5. Эксплуатация

5.3 Замена ИБП с применением ModularEasy

5.3.1 Изъятие отказавшего ИБП:



1. Переключите ИБП в **"Internal Bypass mode"** (режим внутреннего байпаса см. Руководство пользователя ИБП).
2. Убедитесь, что ИБП находится в режиме **"Bypass"** (Байпас). Для этого проверьте дисплей ИБП (см. руководство пользователя ИБП).
3. Переведите ручной байпасный переключатель ModularEasy в положение **"Bypass"** (Байпас). Красный индикатор **"Bypass mode"** (Режим байпаса) на корпусе ModularEasy загорится. Это значит, что нагрузка поступает напрямую от источника переменного тока или от дополнительного Bypass AC source на 9PXM EZ11Ki (только для него).
4. Подождите отключения ИБП около 30 секунд.
5. Убедитесь, что дисплей ИБП погас. Если дисплей все еще горит, уточните, не перешел ли ИБП в режим сна. Для этого обратитесь к руководству пользователя ИБП. Не переходите к следующему шагу до погашения дисплея.
6. Переведите ручной байпасный переключатель ИБП ModularEasy в положение **"0"** (OFF, в случае 9PXM EZ6Ki). Или переведите переключатели выходов двух ИБП ModularEasy в положение **"0"** (OFF, в случае 9PXM EZ11Ki).
7. Отключите все внутренние (*) и внешние батареи отказавших ИБП. (*) **Только для ИБП 9PXM5000 и 9PXM6000.**
8. Убедитесь, что все источники питания действительно отключены. Для этого нажмите и удерживайте в течении 5 секунд кнопку **"ON/OFF"** (Вкл/Выкл)  отказавшего ИБП.
ИБП должен оставаться выключенным.
9. Убедитесь, что дисплей ИБП все еще выключен.

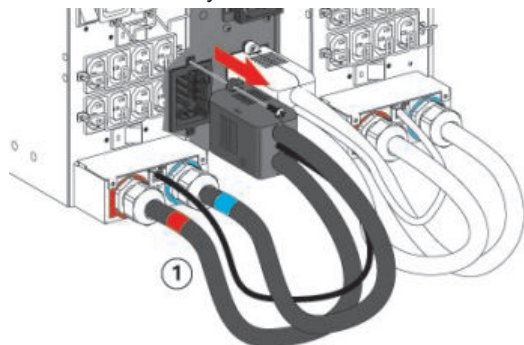


Важно. Не переходите к следующему шагу при включенном дисплее.

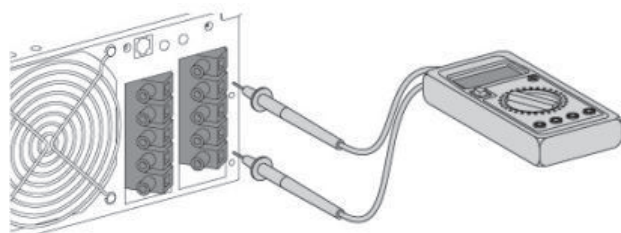
Теперь ИБП можно отключить в соответствии с приведенной ниже процедурой.

5.3.2 9PXM EZ6Ki

- В первую очередь удалите два винта и отсоедините набор проводов входа-выхода ① отказавшего ИБП от ModularEasy



- Снимите крышку блока клеммных колодок входа-выхода отказавшего ИБП и убедитесь в отсутствии опасного напряжения на этих колодках с помощью прибора проверки электробезопасности



- Отсоедините набор проводов входа-выхода ① и подключите эти провода к новому ИБП
- Подсоедините подключенный к новому ИБП набор проводов входа-выхода ① к ModularEasy

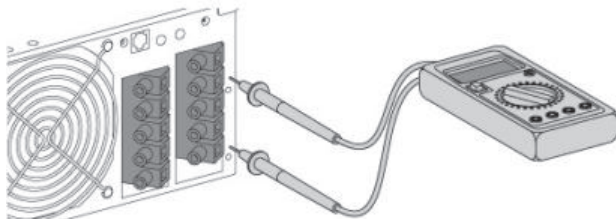


Опасное напряжение и риск потери нагрузки: не пользуйтесь ручным байпасным переключателем ModularEasy, если набор проводов входа-выхода ① не соединен с клеммными колодками ИБП.

5.3 Замена ИБП с применением ModularEasy

5.3.3 9PХМЕZ11Кі

- Снимите крышку блока клеммных колодок входа-выхода отказавшего ИБП и убедитесь в отсутствии опасного напряжения на этих колодках с помощью прибора проверки электробезопасности



- Отсоедините силовые кабели ModularEasy, а также кабель обнаружения ModularEasy отказавшего ИБП
- Сразу же заново подсоедините силовые кабели ModularEasy, а также кабель обнаружения ModularEasy к новому ИБП. Если возможность мгновенного повторного подключения силовых кабелей ModularEasy отсутствует, соедините 3 их провода (линию и нейтральные провода к проводу заземления) во избежание электрического удара. Позднее заново подключите их к новому ИБП.



Опасное напряжение и риск потери нагрузки: не пользуйтесь ручным байпасным переключателем ModularEasy, если силовые провода не соединены с клеммными колодками ИБП.

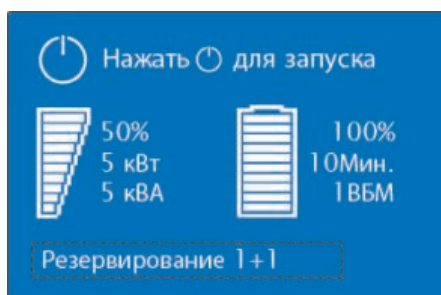


5.3.4 Возвращение к нормальной работе:

- Убедитесь, что новый ИБП правильно подключен к ModularEasy, см. 4.1, 4.2, 4.3
- В случае 9PХМЕZ6Кі убедитесь, что переключатель "UPS output" (Выход ИБП) ModularEasy находится в положении "I" (Вкл).
В случае 9PХМЕZ11Кі убедитесь, что два переключателя "UPS output" (Выход ИБП) ModularEasy находятся в положении "I" (Вкл).
- Убедитесь, что кабель параллельного подключения 9PХ правильно подсоединен и зафиксирован (сер. номер: 744-A2675).
- Установите ручной байпасный переключатель ModularEasy в положение "Test" (Тест).
- Убедитесь в правильной подаче питания ИБП (дисплей ИБП будет освещен)
- Убедитесь, что на дисплее двух ИБП есть строка "Резервирование 1+1".
Не переходите к следующему шагу до появления этой строки. Убедитесь, что выполнены два представленных ниже требования.



Сер. номер:
744-A2675

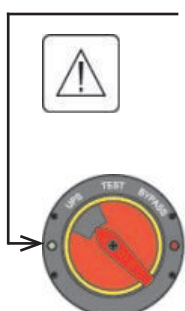


- Два ИБП соединены с помощью кабеля параллельной работы, сер. номер: 744-A2675
 - Версия программно-аппаратного обеспечения ИБП поддерживает параллельную работу: SМеню → Идентификация → Версия ПО UPS/NMC.
Если рядом с номером программно-аппаратного обеспечения ИБП нет надписи "/// Ready", свяжитесь со своим реселлером Eaton для загрузки последней версии прошивки.
- Для запуска параллельной системы нажмите кнопку "ON" (Вкл.) на любом из 2 ИБП.
 - Переключите ИБП в "режим внутреннего байпаса" (см. Руководство пользователя ИБП)
 - Убедитесь, что ИБП находится в режиме байпаса, проверяя дисплей ИБП (см. Руководство пользователя ИБП)
 - Убедитесь, что на ModularEasy загорелся зеленый индикатор "UPS mode" (Режим ИБП). Это значит, что для ModularEasy поступает питание с выхода ИБП.

Важно. Не переходите к следующему шагу, если зеленый индикатор "UPS mode" ModularEasy не горит (нагрузка будет потеряна).

- Установите ручной байпасный переключатель ModularEasy в положение "UPS" (ИБП). Красный индикатор "Bypass mode" (Режим байпаса) на корпусе ModularEasy погаснет. Это значит, что теперь нагрузка поступает с ИБП.
- Переведите ИБП в режим "Online" (ИБП online) – см. руководство пользователя ИБП.
- Убедитесь, что ИБП находится в режиме "Online". Для этого проверьте дисплей ИБП (см. руководство пользователя ИБП).

Теперь нагрузка защищена ИБП.



6. Устранение неисправностей

Состояние	Возможная причина	Действие
На дисплее одного ИБП: Load unbalance (Несимметрия нагрузки)	Один из переключателей "UPS output (Выход ИБП) на задней стенке ModularEasy находится в выключенном положении	Переведите переключатель "UPS output" ModularEasy в положение "Вкл."
Firmware download is not possible (Невозможно загрузить программно-аппаратное обеспечение)	Один из двух ИБП находится в режиме "Online" (ИБП online) или "Battery" (ИБП на бат.)	Выберите режим "Standby" (Ожидание) или "Bypass" (Байпас)

7. Технические характеристики

	9PXMEZ6Ki	9PXMEZ11Ki
Вход байпаса		
	Нет	Клеммные колодки
Выход		
	4 розетки IEC 16 A + клеммные колодки	4 розетки IEC 16 A + клеммные колодки
Размеры глуб. P x шир. L x выс. H (мм / дюймы)		
	690 x 440 x 130 / 27 x 17 x 5	
Вес (кг / фунты /)		
	10,3 / 22,8	15 / 32,6
Технические параметры		
Номинальное напряжение	200—240 В, перем. ток	200—250 В, перем. ток
Частота	50/60 Гц	
Номинальный входной ток	60 А	100 А
Максимальная мощность	12000 ВА	22000 ВА
Стандарты		
Безопасность	IEC/EN 62040-1 / Редакция 1: 2008	
ЭМП	IEC/EN 62040-2 / Редакция 2: 2006	
Технические параметры	IEC/EN 62040-3 / Редакция 2.0: 2011	
Устойчивость к электростатическим разрядам	IEC 61000-4-2 : 3 уровень.	
Излучаемые поля	IEC 61000-4-3 : 3 уровень.	
Устойчивость к электрическим быстрым переходным процессам	IEC 61000-4-4 : 4 уровень.	
Устойчивость к микросекундным импульсным помехам	IEC 61000-4-5 : 4 уровень.	
Устойчивость к кондуктивным помехам	IEC 61000-4-6 : 3 уровень.	
Устойчивость к магнитному полю	IEC 61000-4-8 : 4 уровень.	
Маркировка		
	Знак CE	
Окружающая среда		
Рабочая температура	от 0 до 40 °C (от 32 до 104 °F)	
Температура при хранении	от -15 до 60 °C (от 5 до 140 °F)	
Температура при транспортировке	от -25 до 55 °C (от -13 до 130 °F)	
Относительная влажность	от 0 до 95 %, без конденсации	
Высота над уровнем моря при работе	до 3000 метров (9843 футов) над уровнем моря, снижение мощности на 10 % на каждые 1000 м высоты	
Высота при транспортировке	до 10 000 м (32 808 футов) над уровнем моря	

