



ИБП MGE Pulsar EXtreme - Pulsar EXtreme CLA 2000 - 3000 ВА - Руководство

Постоянная ссылка на страницу: <https://eaton-power.ru/catalog/mge-pulsar-extreme/>

Pulsar
EXtreme CLA
2000/3000 VA

Installation manual



NOTHING WILL STOP YOU NOW

MGE
UPS SYSTEMS

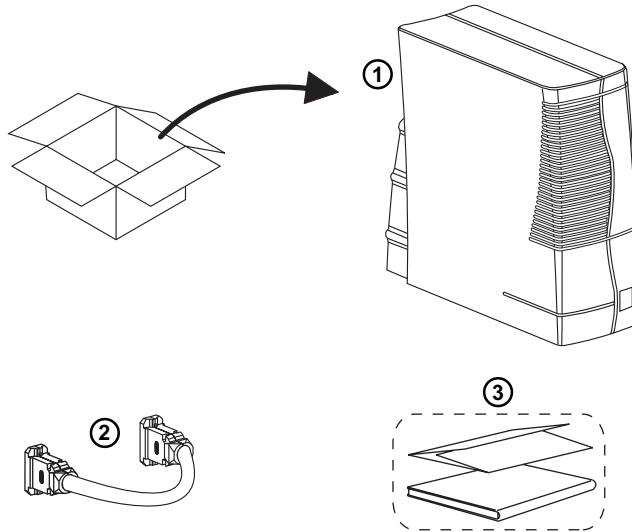




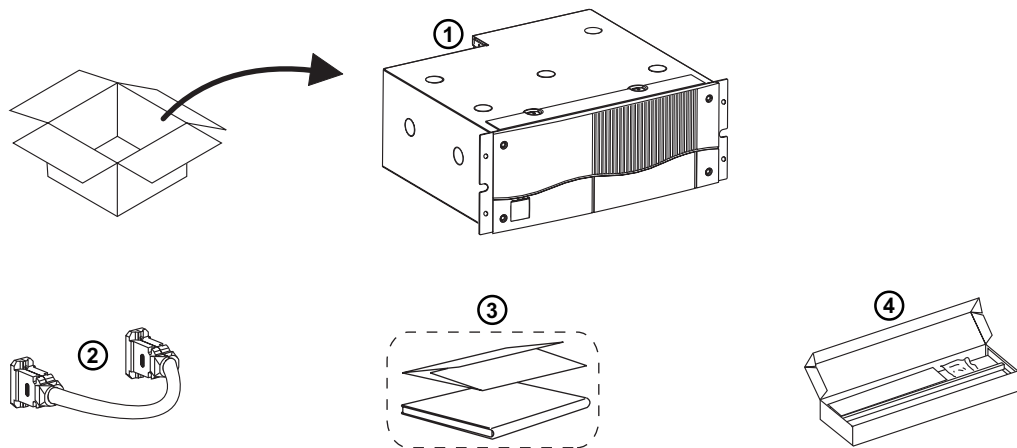
1. Unpacking ... and checking the contents

Pulsar EXtreme CLA 2000/3000 VA

Tower model



Rack model



① Pulsar EXtreme CLA module.

② connection cable.

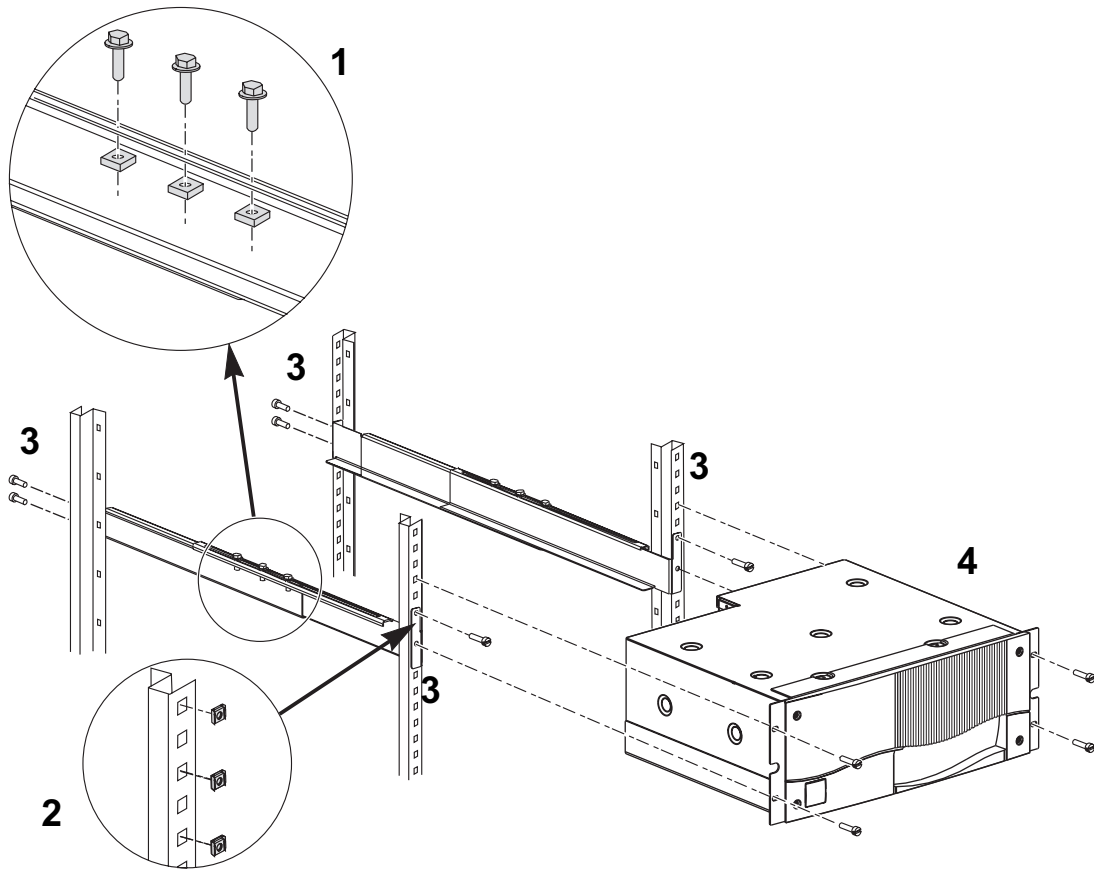
③ documentation.

④ telescopic rails and 19" rack mounting hardware.

2. Installation

2.1 Mounting (Rack model)

Mounting the rails in the rack.



The rails and the screws required to mount them are included in the box.

2.2 Checking equipment compatibility

Check that the UPS and CLA modules are compatible:

	UPS no.	CLA no.
Pulsar <i>EXtreme</i> CLA 2000	51033021	51033029
Pulsar <i>EXtreme</i> CLA 3000	51033031	51033539
Pulsar <i>EXtreme</i> CLA 2000 Rack	51033521	51033529
Pulsar <i>EXtreme</i> CLA 3000 Rack	51033531	51033539

2.3 Batteries to be used

Use only 12 V / 65 Ah lead-acid batteries.

Connect them as indicated below to obtain the required backup time:

Backup time	2 hours	4 hours	8 hours
Pulsar <i>EXtreme</i> CLA 2000	1 string of 7 12V / 65Ah batteries	2 parallel-connected strings of 7 12V / 65Ah batteries	3 parallel-connected strings of 7 12V / 65Ah batteries
Pulsar <i>EXtreme</i> CLA 3000	1 string of 10 12V / 65Ah batteries	2 parallel-connected strings of 10 12V / 65Ah batteries	3 parallel-connected strings of 10 12V / 65Ah batteries

2.4 Connecting the batteries to the Pulsar *EXtreme* CLA module

This operation may be carried out only by qualified electricians using the necessary safety equipment for work on live parts (insulated tools, gloves, goggles).



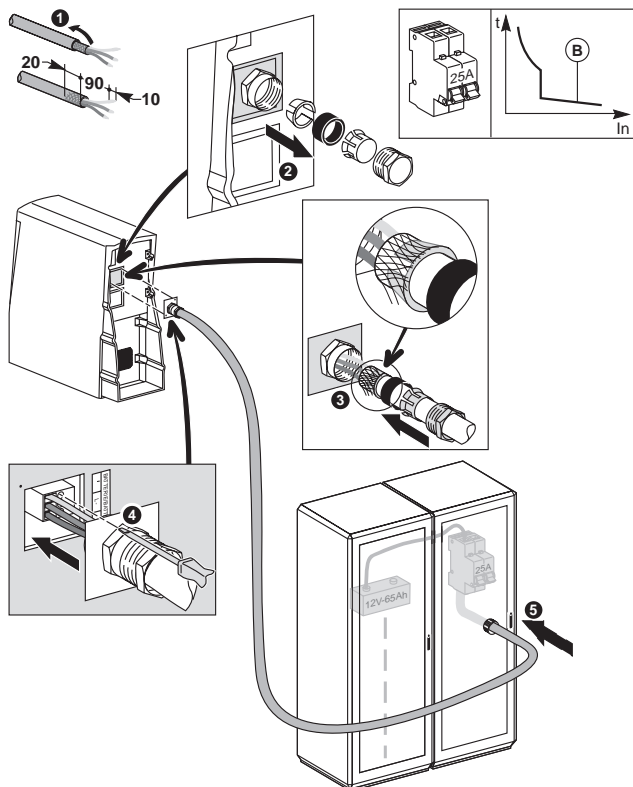
The connection of each module to the electrical supply must be protected by an easily accessible circuit breaker (not supplied). A module can be isolated from the electrical supply by opening this circuit breaker.



Before making any connections or working on the equipment, make sure the battery circuit breaker is in OFF position and that the main contacts of the upstream protective devices of the electrical installation are open (OFF position).

For maximum battery life, CLA and UPS modules must be installed in the same room as batteries so that the automatic regulation of the charge voltage as a function of temperature can work correctly.

2. Installation



Use a 3-conductor cable (shielded, max. length 6 m, 3 x 4 mm² conductors) to be passed through the shielded cable gland.

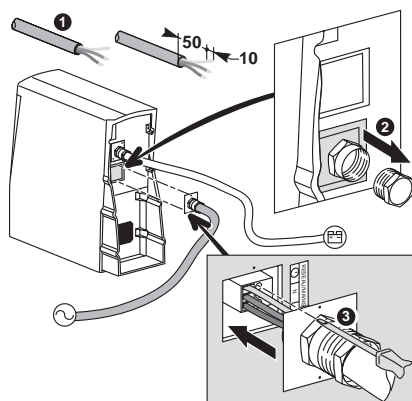


Use a 25 A circuit breaker (curve B) for protection.

Note: the cable and circuit breaker are not supplied with the product.

1. Prepare the cable.
2. Unscrew the plate and dismantle the metal cable gland on the **Pulsar EXtreme CLA** module.
3. Mount the cable gland on the shielded cable.
4. Connect the 3 conductors to the terminal block and refit the plate.
5. Connect the other end of the cable to the circuit breaker.

2.5 Connecting the Pulsar EXtreme CLA module to the power source



Use a flexible cable (3 x 2.5 mm² conductors) to be passed through the plastic cable gland.



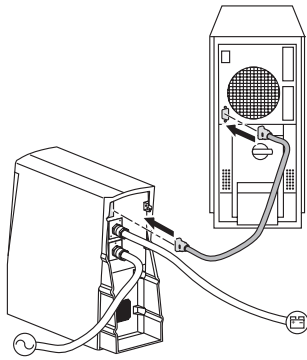
Always connect the earth wire first. Use a 10 A circuit breaker (curve C) for protection.

Note: the cable and circuit breaker are not supplied with the product.

1. Prepare the cable.
2. Unscrew the plate with the plastic cable gland.
3. Connect the 3 conductors and remount the plate.

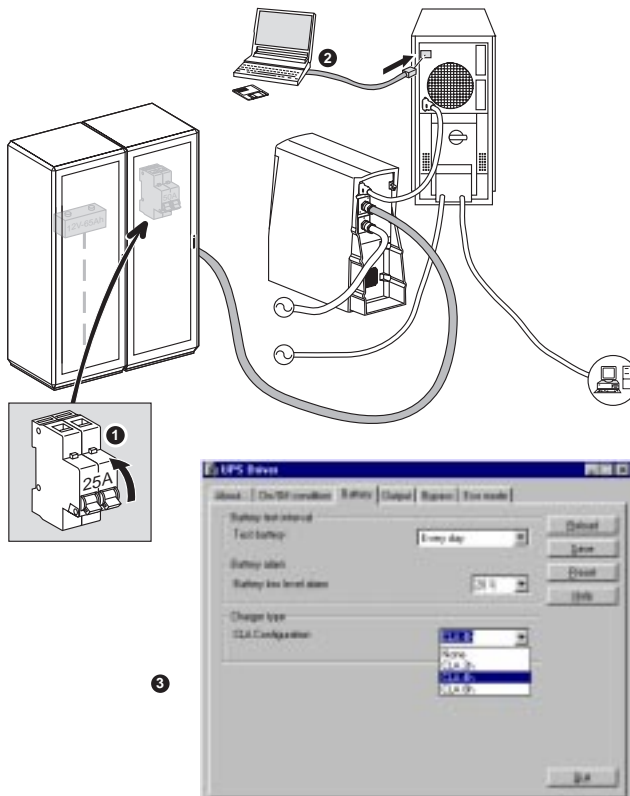
2. Installation

2.6 Connecting the UPS to the Pulsar Extreme CLA module



Use the connection cable supplied with the module.

2.7 Setting the UPS



Before connecting the loads to be protected and starting the system, the UPS must be reconfigured using the UPS Driver software supplied on a diskette with the UPS.

1. Switch the battery circuit breaker to ON position.
2. Connect a PC to the UPS using an RS232 cable.
3. Run the UPS Driver software installed on a diskette. Go to the "battery" menu and select the battery backup time (2, 4 or 8 hours) corresponding to the new configuration.

Once the backup time has been set, click to save the settings and exit UPS Driver. This procedure is necessary for fast recharge of the batteries by the **Pulsar Extreme CLA**. The installation is now ready and you can connect the equipment to be protected.

3. Technical specifications

Dimensions and weights

Pulsar EXtreme CLA	Dimensions in mm (H x W x D)	Weight in kg
Tower model	443 x 173 x 465	10
Rack model	177(4U) x 483 x 462	14

Operating voltage and frequency of the Pulsar EXtreme CLA

Voltage: 160 to 260 V.

Frequency: Same as that of the UPS.

Battery backup times

	Rated power (Pn)	0.75 x Pn	0.5 x Pn
2-hr CLA	2 hrs 10 min	3 hrs	4 hrs 50 min
4-hr CLA	5 hrs	6 hrs 30 min	12 hrs
8-hr CLA	8 hrs	12 hrs	18 hrs

Recharge time and current

	2-hr CLA	4-hr CLA	8-hr CLA
Recharge time (to 90% full backup time)	6 hrs	12 hrs	21 hrs

The total recharge current is 9.5 A whatever the configuration.