



ИБП Eaton 9130 Marine 2kVA - Eaton 9130 Marine 1kVA kit - Инструкция по установке оборудования

Постоянная ссылка на страницу: <https://eaton-power.ru/catalog/eaton-9130-marine/eaton-9130-marine-2kva/>

1

2

3

4

A

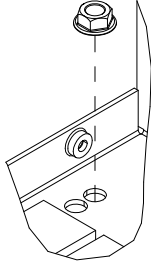
B

C

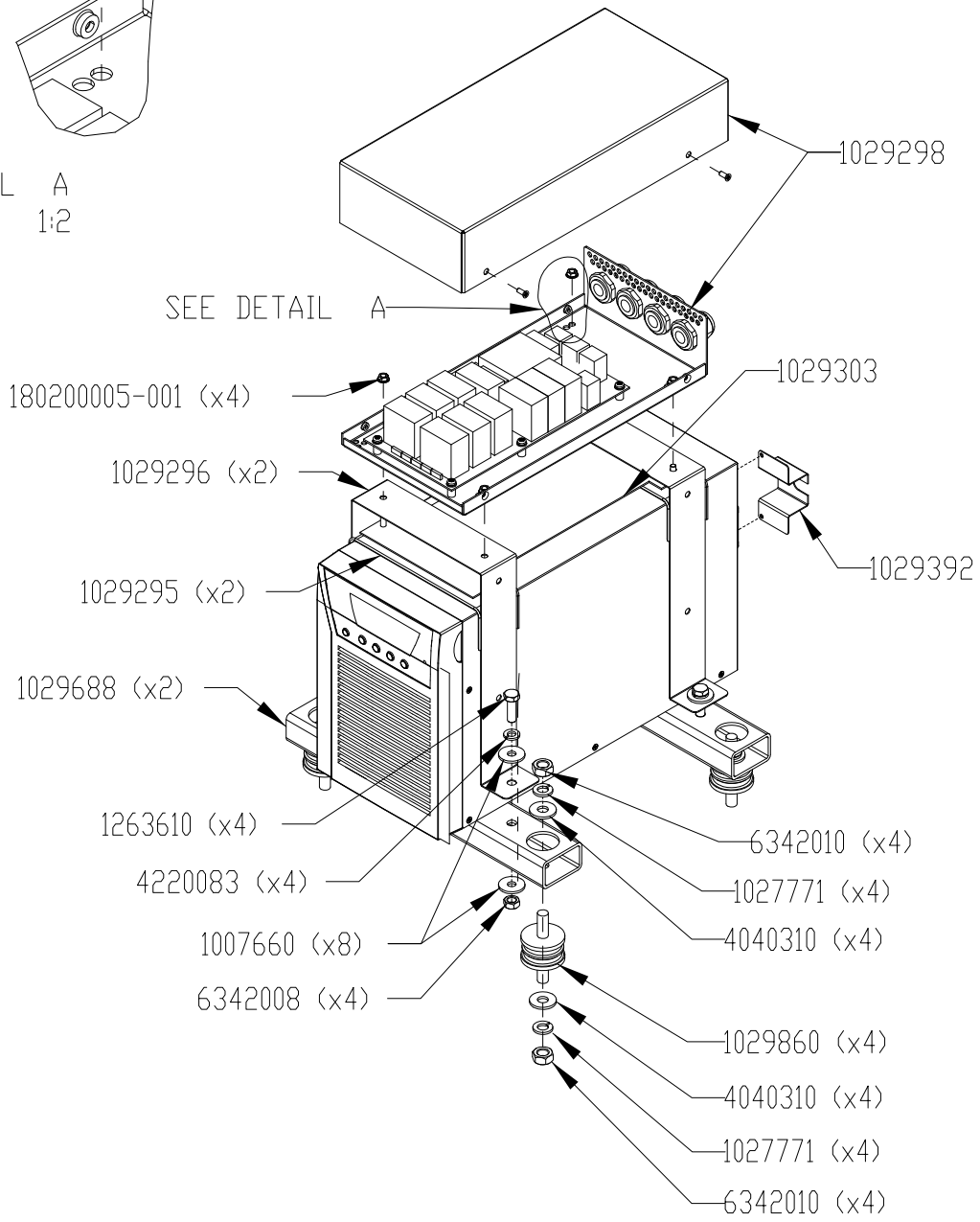
D

E

F

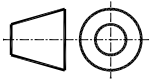


DETAIL A  
SCALE 1:2



DIMENSIONS ARE IN MILLIMETERS AFTER PLATING, DIMENSIONING AND TOLERANCING IN ACCORDANCE WITH ASME Y14.5M-1994

METRIC FIRST ANGLE PROJECTION



EATON CORPORATION, ELECTRICAL  
POWER QUALITY DIVISION



DESCRIPTION: ASSY 9130 1000 KIT INSTR.

SIZE: A4

ORIGINATED BY: J.Manninen

DATE: OCT-12-2009

ECD: 009188

STATUS: RELEASE

PART NAME: 1029709

SCALE: 3:20

MODIFIED BY: J.Manninen

DATE: OCT-12-2009

DOCUMENT TYPE: PRO-E DRAWING

REVISION: 1

SHEET 1 OF 2

EATON CORPORATION - CONFIDENTIAL AND PROPRIETARY  
NOTICE TO PERSONS RECEIVING THIS DOCUMENT AND/OR TECHNICAL INFORMATION  
THIS DOCUMENT, INCLUDING THE DRAWING AND INFORMATION CONTAINED THEREON, IS CONFIDENTIAL AND IS THE EXCLUSIVE PROPERTY OF EATON CORPORATION, AND IS MERELY ON LOAN AND SUBJECT TO RECALL BY EATON AT ANY TIME. BY TAKING POSSESSION OF THIS DOCUMENT, THE RECIPIENT ACKNOWLEDGES AND AGREES THAT THIS DOCUMENT CANNOT BE USED IN ANY MANNER ADVERSE TO THE INTERESTS OF EATON AND THAT NO PORTION OF THIS DOCUMENT MAY BE COPIED OR OTHERWISE REPRODUCED WITHOUT THE PRIOR WRITTEN CONSENT OF EATON. IN THE CASE OF CONFLICTING CONTRACTUAL PROVISIONS, THIS NOTICE SHALL GOVERN THE STATUS OF THIS DOCUMENT.  
© 2008 Eaton Corporation - All Rights Reserved

1

2

3

4

A

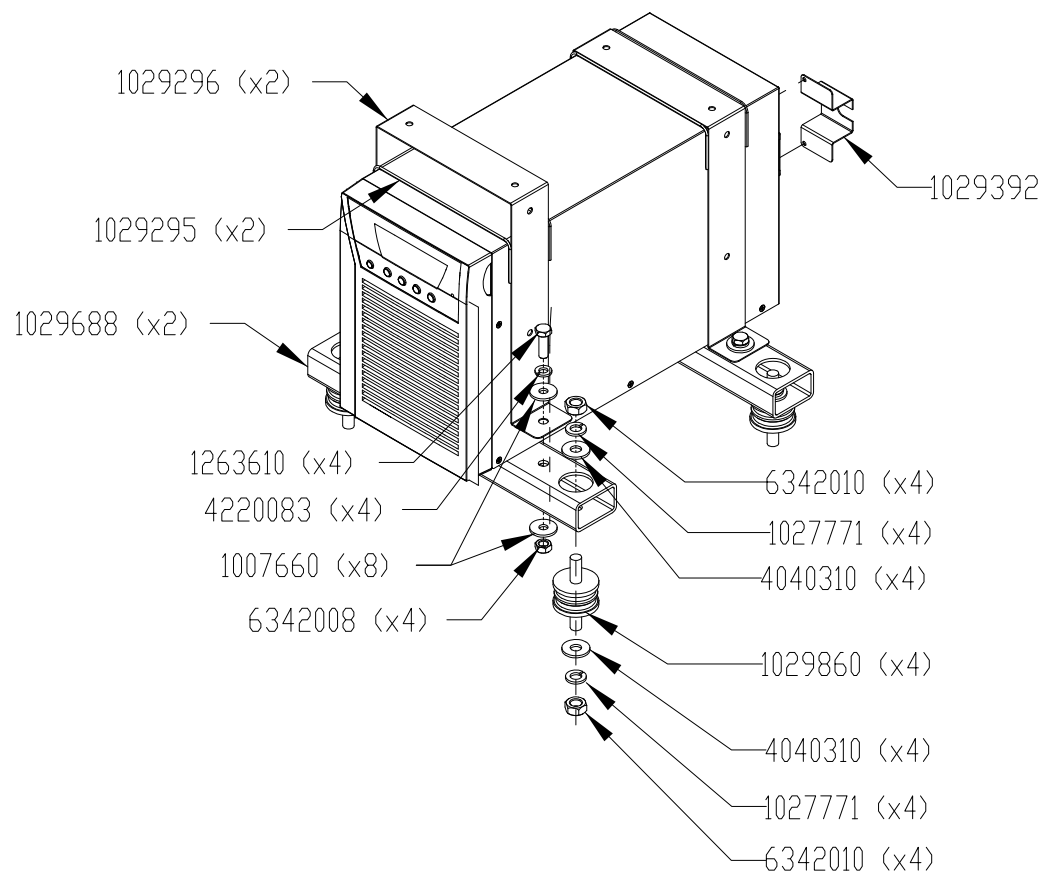
B

C

D

E

F



DIMENSIONS ARE IN MILLIMETERS AFTER PLATING, DIMENSIONING AND TOLERANCING IN ACCORDANCE WITH ASME Y14.5M-1994

METRIC	FIRST ANGLE PROJECTION		<b>EATON CORPORATION, ELECTRICAL</b> POWER QUALITY DIVISION	
--------	---------------------------	--	--	--

DESCRIPTION: ASSY 9130 1000 KIT INSTR. SIZE: A4

ORIGINATED BY: J.Manninen	DATE: OCT-12-2009	ECO: 009188	STATUS: RELEASE	PART NAME: 1029709	SCALE: 3:20
MODIFIED BY: J.Manninen	DATE: OCT-12-2009	DOCUMENT TYPE: PRO-E DRAWING	REVISION: 1		SHEET 2 OF 2

EATON CORPORATION - CONFIDENTIAL AND PROPRIETARY  
 NOTICE TO PERSONS RECEIVING THIS DOCUMENT AND/OR TECHNICAL INFORMATION

THIS DOCUMENT, INCLUDING THE DRAWING AND INFORMATION CONTAINED THEREON, IS CONFIDENTIAL AND IS THE EXCLUSIVE PROPERTY OF EATON CORPORATION, AND IS MERELY ON LOAN AND SUBJECT TO RECALL BY EATON AT ANY TIME. BY TAKING POSSESSION OF THIS DOCUMENT, THE RECIPIENT ACKNOWLEDGES AND AGREES THAT THIS DOCUMENT CANNOT BE USED IN ANY MANNER ADVERSE TO THE INTERESTS OF EATON AND THAT NO PORTION OF THIS DOCUMENT MAY BE COPIED OR OTHERWISE REPRODUCED WITHOUT THE PRIOR WRITTEN CONSENT OF EATON. IN THE CASE OF CONFLICTING CONTRACTUAL PROVISIONS, THIS NOTICE SHALL GOVERN THE STATUS OF THIS DOCUMENT.

© 2008 Eaton Corporation - All Rights Reserved