



ИБП Eaton Blade UPS - Работа BladeUPS с STS - Замечания по применению

Постоянная ссылка на страницу: <https://eaton-power.ru/catalog/online/eaton-bladeups/>

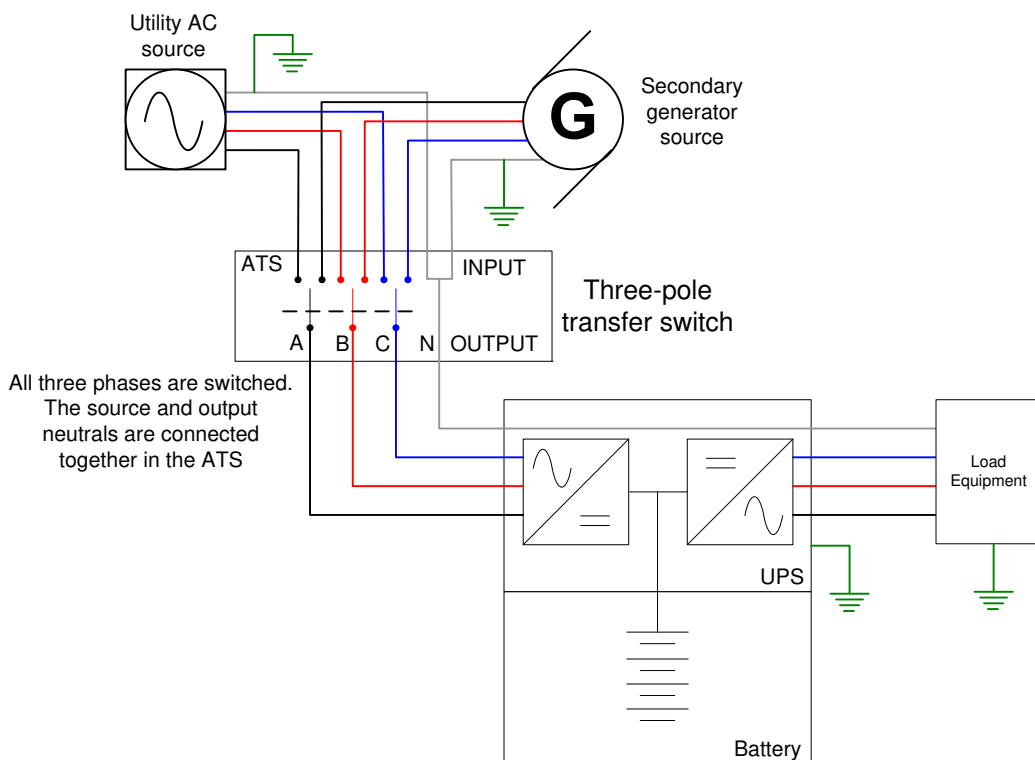
## BladeUPS operation with source transfer switches

*Design considerations to ensure proper UPS operation*

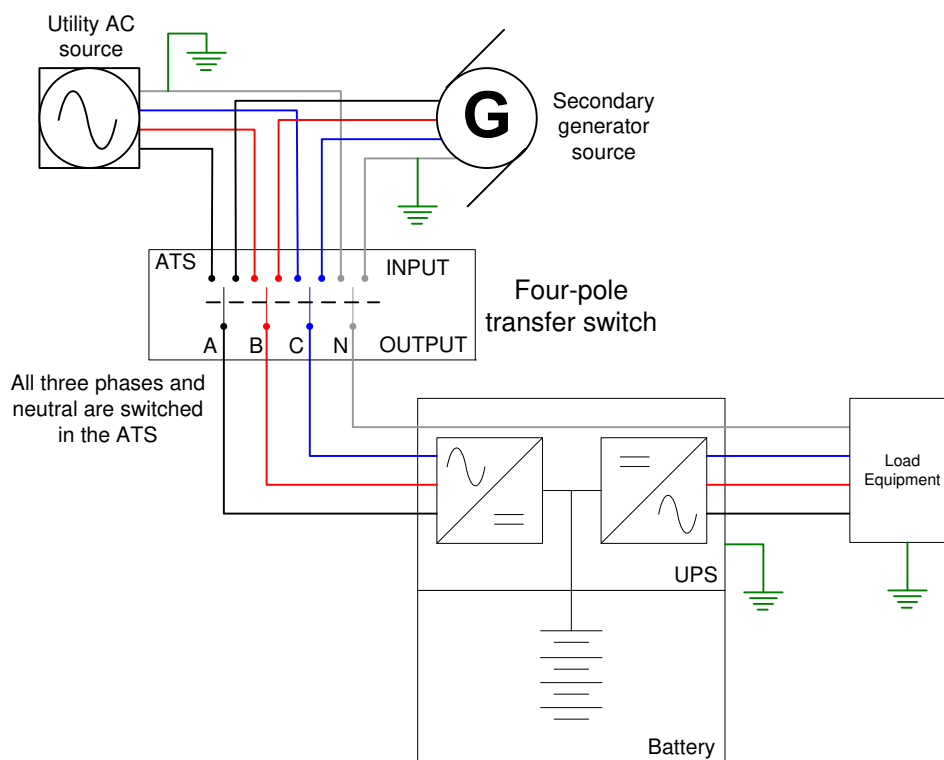
With today's requirements for 7 x 24 IT operations, the input power for many UPS systems may come from more than just a single source. In many cases, the UPS system will be powered from a generator system when the mains source fails. Or, the UPS system may be optionally fed from either of two different utility mains sources that exist in the same building or facility. In either of these cases, an automatic transfer switch (ATS), or a manual transfer switch (MTS), is used to transfer the AC source for the UPS input (and bypass) from the primary source to the secondary or emergency source.

### Three-pole and four-pole transfer switches

Traditionally most transfer switches used for switching three-phase power sources were three-pole devices, and during the switchover, the three phases were interrupted as the switch changed from one source to another. But the neutral wire simply passed directly through the switch housing, but not through the switch contacts. The neutral was not interrupted by the switch, but this required that the neutrals from separate sources be permanently tied together. This allowed for the potential of circulating currents between the two systems that fed the UPS system. Since these circulating currents could produce unwanted voltages, and electrical noise, some designers have been recommending four-pole transfer switches. These switches have a 4<sup>th</sup> pole which switches the neutral sources, based on which source is supplying the UPS system. This allows complete isolation of all phases (and neutral) between the two different sources eliminating circulating currents in the neutral and ground conductors.



**Figure 1:** Three-pole automatic transfer switch (ATS) feeding UPS system



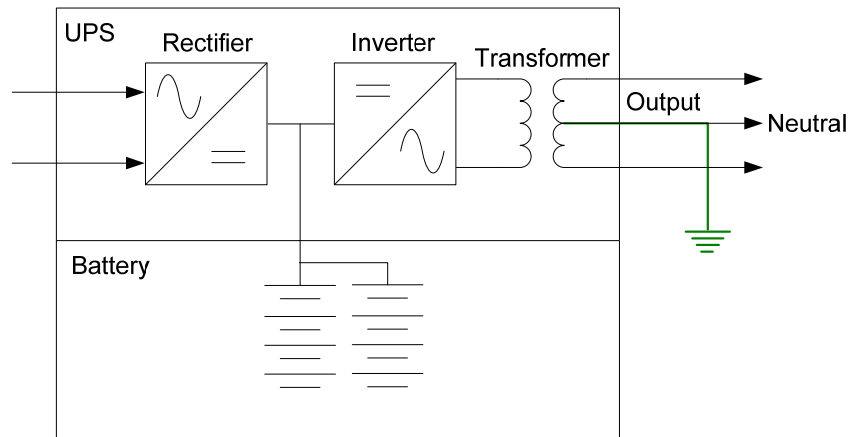
**Figure 2:** Four-pole automatic transfer switch (ATS) feeding UPS system

A four-pole transfer switch can typically be ordered to operate in a couple different ways based on the site needs. In addition the site can wire the switch based on the load equipment requirements. The typical configurations are:

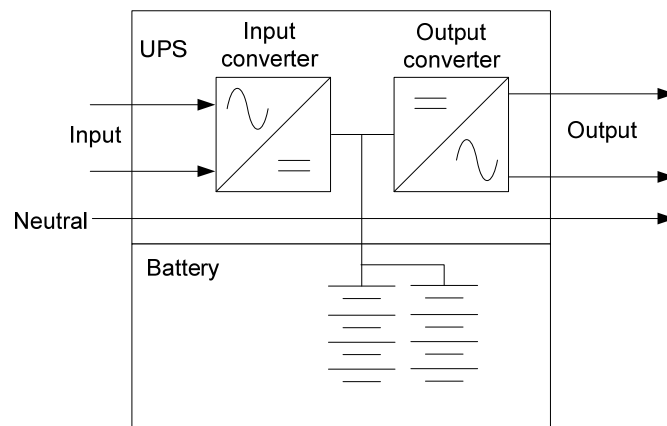
1. **Make-before-break switch:** In this case, all four poles of the ATS close on the second source, before opening the primary source. This is not the common practice because the secondary source can feed power back into the primary source, unless an upstream disconnecting device is also part of the installation. Some transfer switches do have this as an option for synchronized transitions between two like AC sources, and may act this way when coming off of generator operation onto a restored utility source.
2. **Break-before-make switch:** In this case, all four poles of the ATS open, including the neutral contact. This “open transition” switching removes the neutral from the input of the UPS briefly. The duration of “open transition” is often adjustable. We recommend that this open transition time be at least 50 milliseconds (ms).
3. **Overlapping neutral:** The two source neutrals “overlap” in a make-before-break fashion, even though the three-phase contacts operate in a “break-before-make” sequence. This ensures that the UPS connected downstream of the ATS always has a constant neutral for return currents and for a reference source. Important note for overlapping neutrals: if the two neutrals are not grounded at the same point, there may be a voltage difference between the neutrals, allowing current to flow during the time the neutrals overlap. This may cause problems with the generator.
4. **Hard connected neutral:** In this arrangement, a jumper wire is connected in parallel with the neutral contact, essentially converting the ATS to a three-pole device. The neutrals of the two sources are permanently connected together, regardless of the position of the switch. The neutrals should be grounded at the same point to avoid circulating currents.

### Why is this important when deploying a transformerless UPS system?

Why is this information important for UPS applications? With the exception of the 9315 product, all of Eaton's three-phase UPSs are transformerless designs. That is, these systems do not utilize an input or output isolation transformer in their basic configuration, (isolation transformers are optional if required, but this adds additional space, weight, cost, and inefficiency to the system).



**Figure 3:** UPS design with internal isolation transformer



**Figure 4:** Latest generation transformerless UPS design requires no transformer

With no galvanic isolation in the UPS electronics power train, the system does not qualify to be considered a “separately derived” power source. Since it is not a new source it can not break the neutral, and form a new neutral with a new neutral to ground bonding point. This requires that the source neutral conductor be brought directly through the UPS and passed on to the critical load. In addition, to ensure proper operation in bypass mode, the neutral must be supplied from the upstream AC source. In the BladeUPS product, if this source neutral is interrupted for even a short time, ANY phase to neutral loads will be interrupted, even if the UPS is operating on battery. In addition, the UPS firmware will consider this condition as a site fault and immediately shut down the BladeUPS system to ensure safety for anyone working on load equipment on the UPS output.

---

**What is this important to ask the customer before selling a BladeUPS?**

For the above reasons, every UPS quote should request information on whether the UPS will be used with a 4-pole ATS. The following questions can help you ensure you have the information you need.

- 1.) Will the UPS have multiple AC input sources?
- 2.) If this is a generator or second utility source, will it include an automatic or manual transfer switch?
- 3.) Will the ATS (MTS) switch the neutral conductor? (four pole)
- 4.) If yes, will the neutral contacts overlap, or will there be a break during the switch between AC sources?

*The guidelines below should be followed when quoting BladeUPS systems for dual source applications.*

**Input transfer switch guidelines**

The BladeUPS should always have an input neutral connected at the UPS paralleling wireway input terminals, or UPS input cord. This neutral must be continuous and uninterrupted; even if there are no phase-to-neutral loads connected. NO EXCEPTIONS! If the BladeUPS is fed from a four-pole ATS that interrupts the neutral, a delta-to-wye isolation transformer, with its secondary neutral bonded to ground, must be placed in line with the input of the UPS. This will provide an uninterrupted neutral to the UPS, regardless of the position of the ATS neutral contact.

Note: if an overlapping neutral or make before break ATS switch is used, the neutrals must overlap for a minimum of 50 ms during the transition. In these cases, a transformer is not needed.