



ИБП Eaton Blade UPS - Eaton BladeUPS External Battery Interconnect - Брошюра

Постоянная ссылка на страницу: <https://eaton-power.ru/catalog/online/eaton-bladeups/>

Eaton BladeUPS External Battery Interconnect



For use with 400V BladeUPS Systems—runtime can be extended for hours.

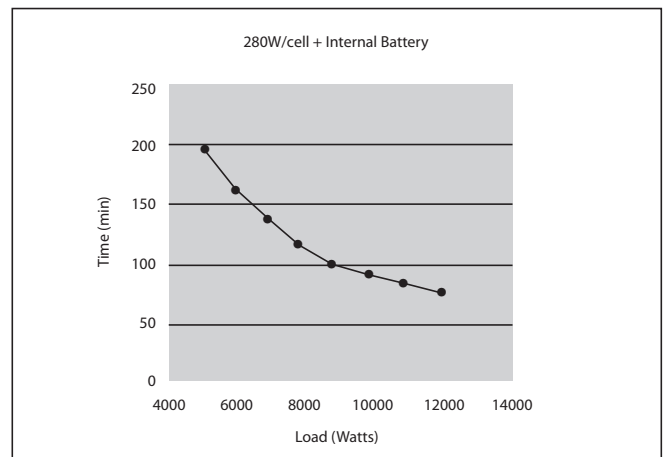
Features

- Doubles the amount of runtime available
- Can be used in parallel configuration when each unit has an interconnect
- Reliable source in environments where power sources are unreliable

The Eaton® BladeUPS® 400V uninterruptible power system (UPS) is compatible with a customer-supplied external battery only when used with the External Battery Interconnect. The addition of customer-supplied external batteries can extend battery runtime. Please note, this arrangement of customer-supplied external battery and External Battery Interconnect is not for use with the BladeUPS 208V module.

The External Battery Interconnect is a DC connection box that provides a landing for the wires from an external battery. The External Battery Interconnect converts external battery input wires to a plug that is compatible with the BladeUPS 400V (see drawing on page 2).

Runtime Table



Please note: This run time was achieved by using External Battery (Powerware PWHR12280W4FR) for our testing. Should you use another battery, runtimes may vary.



Powering Business Worldwide

Technical Specifications

Dimensions and Weight

Part Number	103007247-5591
Dimensions (WxDxH)	66.7 x 88.9 x 190.5 mm; 2.63 x 3.5 x 7.5 in
Weight	1.45 kg (3.2 lb)

Electrical Input

Voltage Rating	250 Vdc
Current Rating	60A
Connection	Compression Lug: Positive and Negative terminals accept 50 – 2.5 mm ² (2/0 – 14 AWG) wire; Ground terminal accepts 16 – 2.5 mm ² (6 – 14 AWG) wire

Nominal Voltage	240 Vdc
-----------------	---------

Electrical Output

Voltage Rating	250 Vdc
Current Rating	60A
Connection	Anderson connector
Nominal Output Voltage	240 Vdc

Environmental and Safety

Operating Temperature	0°C to 40°C (32°F to 104°F)
Transit/Storage Temperature	-25°C to 55°C (-13°F to 131°F)
Relative Humidity	5–95% noncondensing
Operating Altitude	Up to 3,000 meters (0–9843 ft) above sea level without derating
Safety Conformance	UL 1778 4th Edition, IEC/EN 62040-1-1
Agency Markings	UL, cUL, CE

Customer-Supplied External Battery

Configuration	120 cell battery string (2V per cell)
Voltage	240 Vdc
Maximum Ah Rating	280 watts per cell (70 Ah)
Type	Sealed, valve-regulated, lead-acid (VRLA)
Maximum Charger Current	7.5A

BladeUPS 12kW Battery Discharge Times (in Minutes)

Load (Watts)	Battery Type 280 W/Cell (with 5 Ah Internal Battery)*
12000	73.2
11000	80.8
10000	90
9000	101
8000	115
7000	134
6000	160
5000	196

* Average discharge times are shown on the chart on the first page of this product focus

UNITED STATES
8609 Six Forks Road
Raleigh, NC 27615 U.S.A.
Toll Free: 1.800.356.5794

www.eaton.com/bladeups

CANADA
Ontario: 416.798.0112

LATIN AMERICA
South Cone: 54.11.4124.4000
Brazil: 55.11.3616.8500
Andean & Caribbean:
1.949.452.9610
Mexico & Central America:
52.55.9000.5252

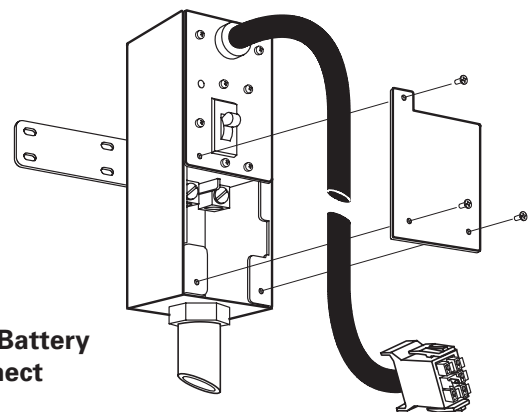
EATON
Powering Business Worldwide

Configuration Guidelines

Please note the following guidelines when configuring a BladeUPS 400V module with a customer-supplied external battery and External Battery Interconnect.

Connect the External Battery Interconnect plug directly to the BladeUPS 400V module. Because there is a single UPS battery connector on the rear panel of the BladeUPS 400V module, you cannot use a combination of customer-supplied external batteries and Eaton-supplied extended battery modules (EBMs) with the same BladeUPS 400V module.

- Never connect the External Battery Interconnect plug to an EBM.
- The same customer-supplied external batteries cannot be shared by multiple BladeUPS 400V modules.
- For consistent runtimes, each BladeUPS 400V module in parallel systems must have the same amount of battery runtime.
- The customer-supplied external batteries are charged through the UPS internal charger.
- To configure the BladeUPS 400V module for customer-supplied external batteries, configure the user setting for Watts per cell. For information on user settings, refer to the user's guide for the BladeUPS module.
- A commissioning test is not required when using customer-supplied external batteries as long as ABM® Technology feature is not disabled.
- Internal BladeUPS batteries must be installed when using the External Battery Interconnect.



External Battery Interconnect

EUROPE/MIDDLE EAST/AFRICA
Denmark: 45.3686.7910
Finland: 358.94.52.661
France: 33.1.6012.7400
Germany: 49.0.7841.604.0
Italy: 39.02.66.04.05.40
Norway: 47.23.03.65.50
Portugal: 55.11.3616.8500
Sweden: 46.8.598.940.00
United Kingdom: 44.1753.608.700

ASIA PACIFIC
Australia/NZ: 61.2.9693.9366
China: 86.21.6361.5599
HK/Korea/Taiwan: 852.2745.6682
India: 91.11.4223.2300
Singapore/SEA: 65.6829.8888

Eaton, Powerware, BladeUPS, ABM, and PowerChain Management are trade names, trademarks, and/or service marks of Eaton Corporation or its subsidiaries and affiliates. All other trademarks are property of their respective owners.



©2010 Eaton Corporation
All Rights Reserved
Printed in USA
BLADEUPS04FXA
February 2010