

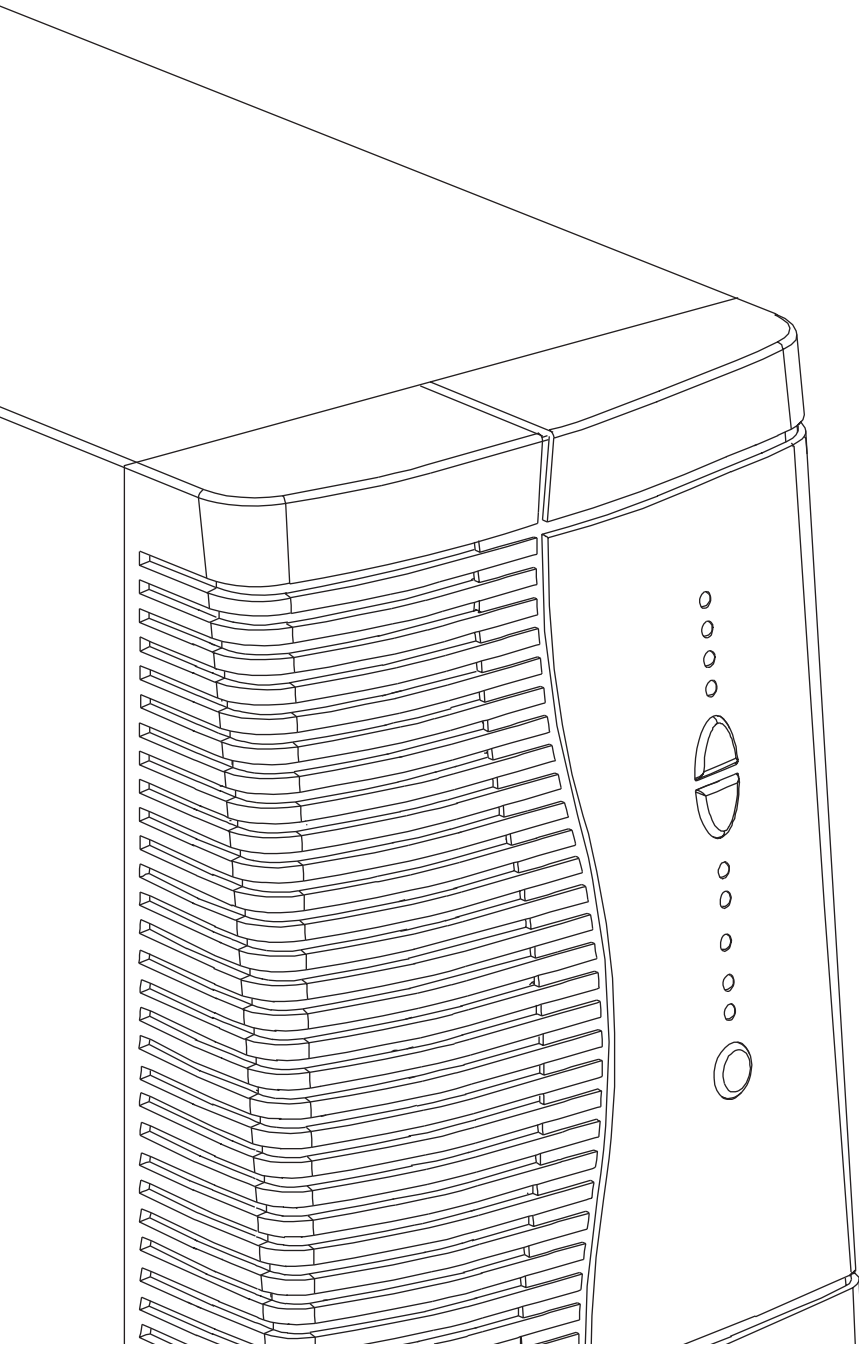


ИБП MGE Pulsar EXtreme C - Pulsar EXtreme CLA 1500C - Installation and User Manual

Постоянная ссылка на страницу: <https://eaton-power.ru/catalog/mge-pulsar-extreme-c/>

Pulsar EXtreme CLA 1500C

Installation and user manual



MGE
UPS SYSTEMS



Introduction

Thank you for selecting an MGE UPS SYSTEMS product to protect your electrical equipment.

The **Pulsar Extreme** range has been designed with the utmost care. We recommend that you take the time to read this manual to take full advantage of the many features of your UPS.

MGE UPS SYSTEMS pays great attention to the environmental impact of its products. Measures that have made **Pulsar Extreme** a reference in environmental protection include:

- the eco-design approach used in product development;
- recycling of **Pulsar Extreme** at the end of its service life.

To discover the entire range of MGE UPS SYSTEMS products and the options available for the **Pulsar Extreme** range, we invite you to visit our web site at www.mgeups.com or contact your MGE UPS SYSTEMS representative.

Safety rules

Safety of persons

When the batteries are connected to the UPS, the outlets may be energised even if the UPS is disconnected from the AC input source.



Dangerous voltage levels are present within the UPS. It should be opened exclusively by qualified service personnel.

The UPS must be properly earthed. Measurements are required to ensure that the total leakage current of the UPS and the protected equipment does not exceed 3.5 mA.

Product safety

UPSs must be connected to a nearby wall outlet that is easily accessible.

The UPS can be disconnected from the AC-power source by removing the power cord.

- ▶ Never install the UPS near liquids or in an excessively damp environment.
- ▶ Never let a foreign body penetrate inside the UPS.
- ▶ Never block the ventilation grates of the UPS.
- ▶ Never expose the UPS to direct sunlight or a source of heat.

Special precautions

The UPS connection instructions contained in this manual must be followed in the indicated order.

Check that the indications on the rating plate correspond to your AC-power system and to the actual electrical consumption of all the equipment to be connected to the UPS.

If the UPS must be stored prior to installation, storage must be in a dry place.

The admissible storage temperature range is -20° C to +45° C.

If the UPS remains de-energised for a long period, we recommend that you energise the UPS for a period of 48 hours, at least once every month. This charges the battery, thus avoiding possible irreversible damage.

Prior to handling the battery:

- ▶ remove all watches, rings, bracelets and any other metal objects;
- ▶ use tools with insulated handles.

Foreword

Using this document

Information may be found primarily by consulting:

- ▶ the contents,
- ▶ the index.

Pictograms



Important instructions that must always be followed.



Information, advice, help.



Visual indication.



Action.



Audio indication.

In the illustrations on the following pages, the symbols below are used:



LED off.



LED on.



LED flashing.



Earth cables



Other cables

1. Presentation	
1.1 Pulsar EXtreme range	7
Tower model	7
Rack model	7
1.2 Back	8
Tower model	8
Rack model	9
1.3 Control panel	10
2. Installation	
2.1 Unpacking and checks	11
Tower model	11
Rack model	12
2.2 Installation of the rack version	13
2.3 Connection to the RS 232 or USB communications port (optional)	14
2.4 Installation of the communications-card option	15
Tower model	15
Rack model	15
2.5 Battery connection	16
Warning	16
Interconnecting the batteries to obtain the required configuration	16
Connecting the battery configuration to the UPS	16
2.6 UPS connection and settings	19
Tower model	19
Rack model	19
3. Operation	
3.1 Start-up	20
3.2 Bargraph indications	20
3.3 Operation on battery power (following failure of AC input power)	21
Transfer to battery power	21
Threshold for the low-battery warning	21
End of backup time	21



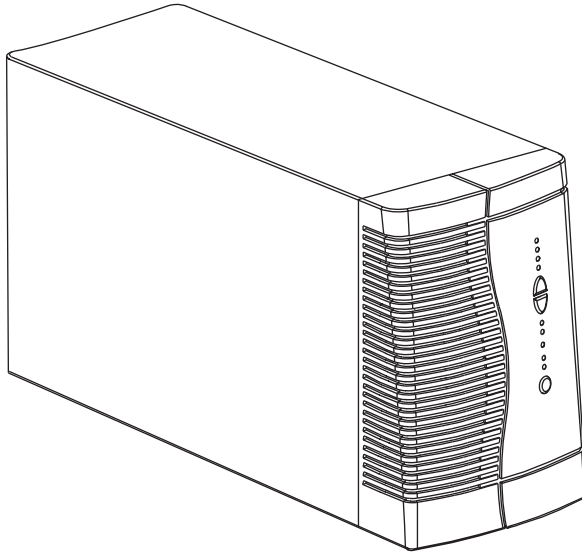
Contents

3.4 Personalisation (optional)	22
Function	22
"ON / OFF conditions" tab	22
"Battery" tab	22
"Output" tab	23
"Bypass" tab	23
3.5 Shutdown	23
4. Maintenance	
4.1 Troubleshooting	24
5. Environment	26
6. Appendices	
6.1 Technical characteristics	27
Simplified diagram	27
Operating conditions	27
6.2 Glossary	28
6.3 Index	29

1. Presentation

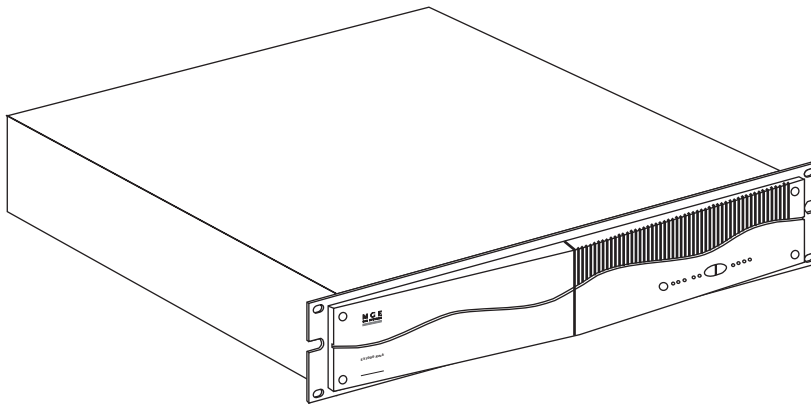
1.1 Pulsar *EXtreme* range

Tower model



Dimensions in mm (H x W x D)	Weight in kg
235.5 x 145 x 505	9.5

Rack model

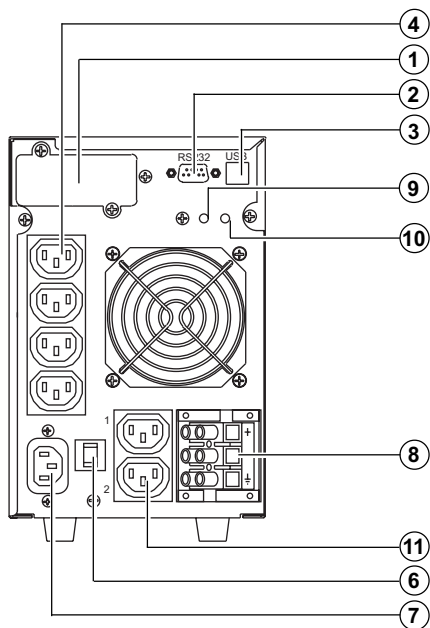


Dimensions in mm (H x W x D)	Weight in kg
88 (2U) x 482.6 x 493	12.5

1. Presentation

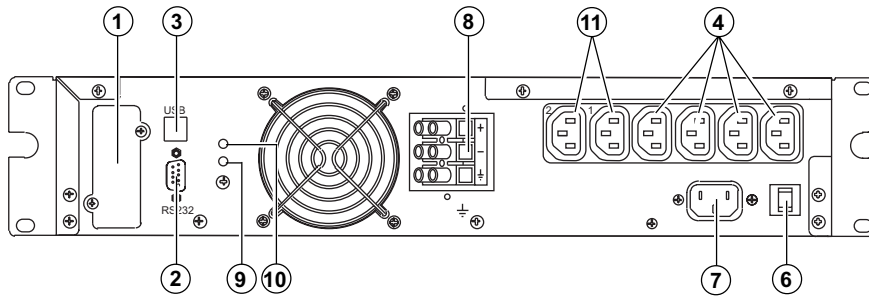
1.2 Back

Tower model



- ① slot for communications-card option.
- ② RS232 communications port.
- ③ USB communications port.
- ④ four outlets for direct connection of protected equipment.
- ⑥ input circuit breaker.
- ⑦ socket for connection to AC-power source.
- ⑧ connector for battery connection.
- ⑨ pushbutton to test phase/neutral inversion of AC-power source.
- ⑩ LED indicating phase/neutral inversion of AC-power source.
- ⑪ two programmable outlets (outlet 1 and 2).

Rack model

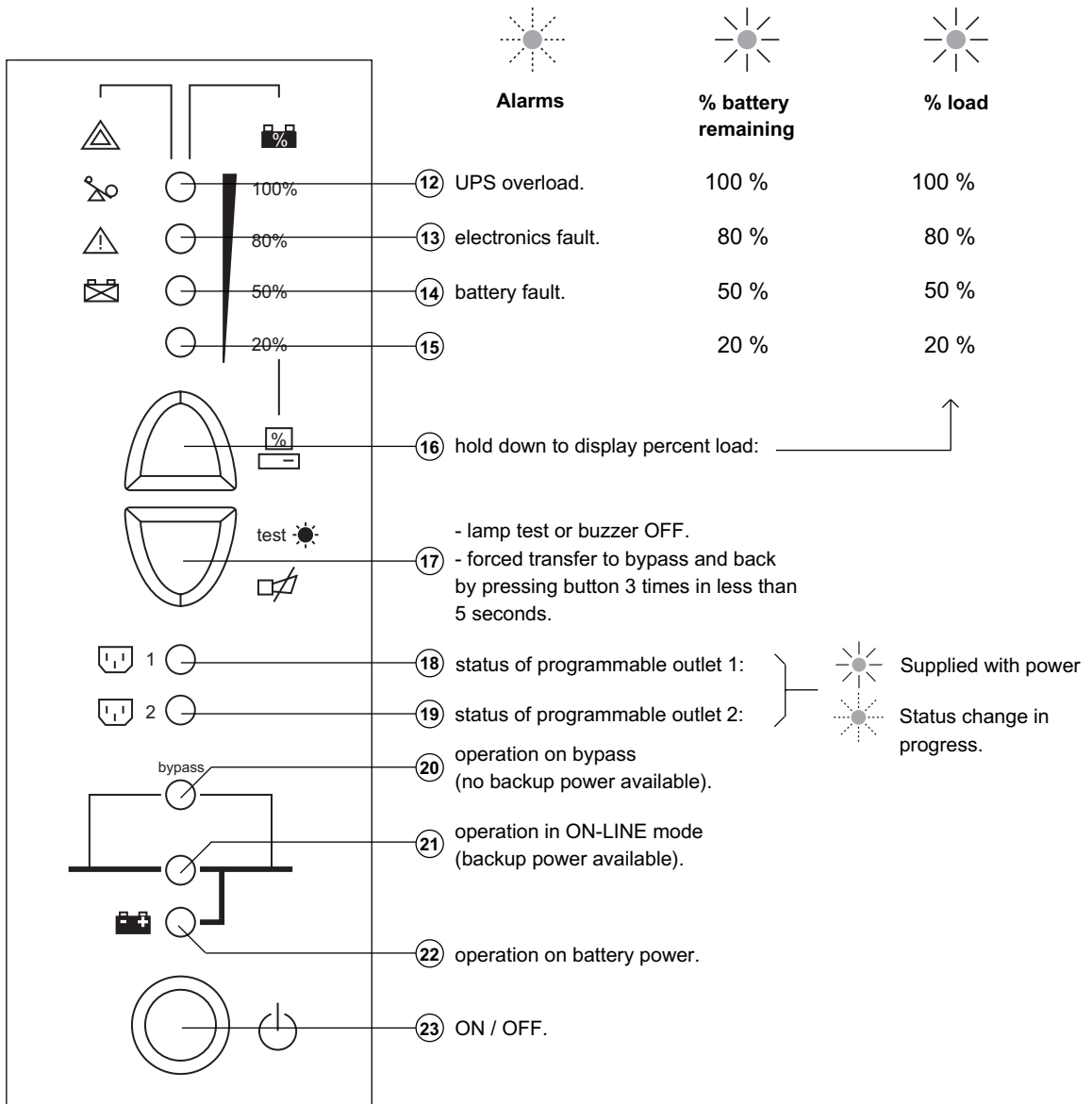


- ① slot for communications-card option.
- ② RS232 communications port.
- ③ USB communications port.
- ④ four outlets for direct connection of protected equipment.
- ⑥ input circuit breaker.
- ⑦ socket for connection to AC-power source.
- ⑧ connector for battery connection.
- ⑨ pushbutton to test phase/neutral inversion of AC-power source.
- ⑩ LED indicating phase/neutral inversion of AC-power source.
- ⑪ two programmable outlets (outlet 1 and 2).



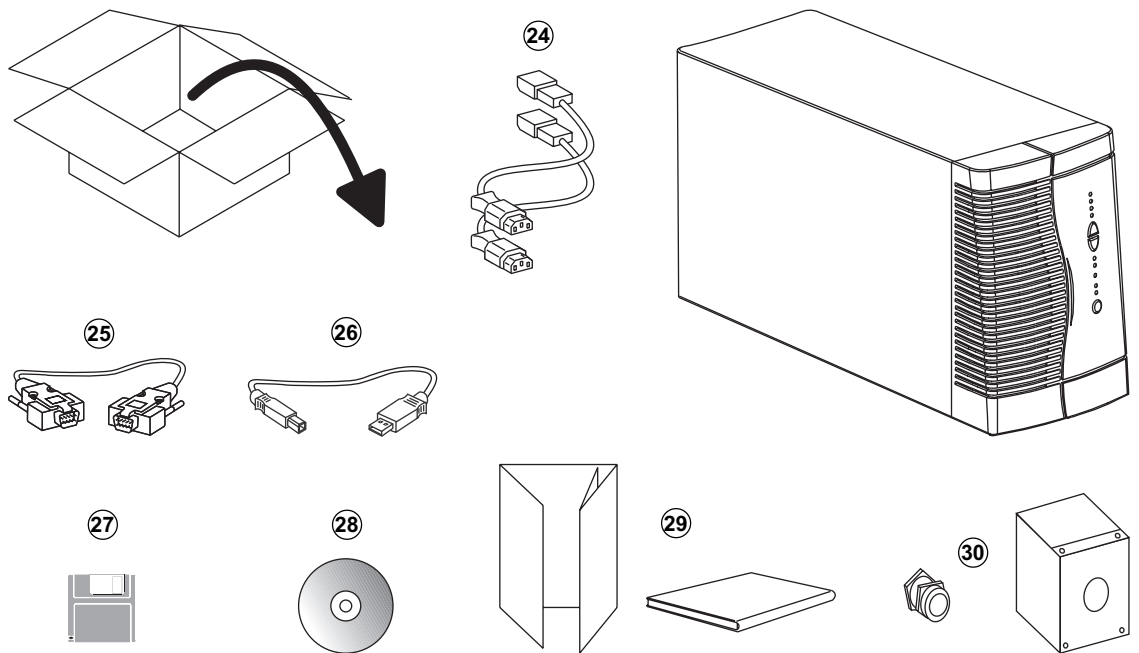
1. Presentation

1.3 Control panel



2.1 Unpacking and checks

Tower model



24) two cords for connection of the protected equipment.

25) RS 232 communications cable.

26) USB communications cable.

27) "UPS Driver" diskette for UPS personalisation.

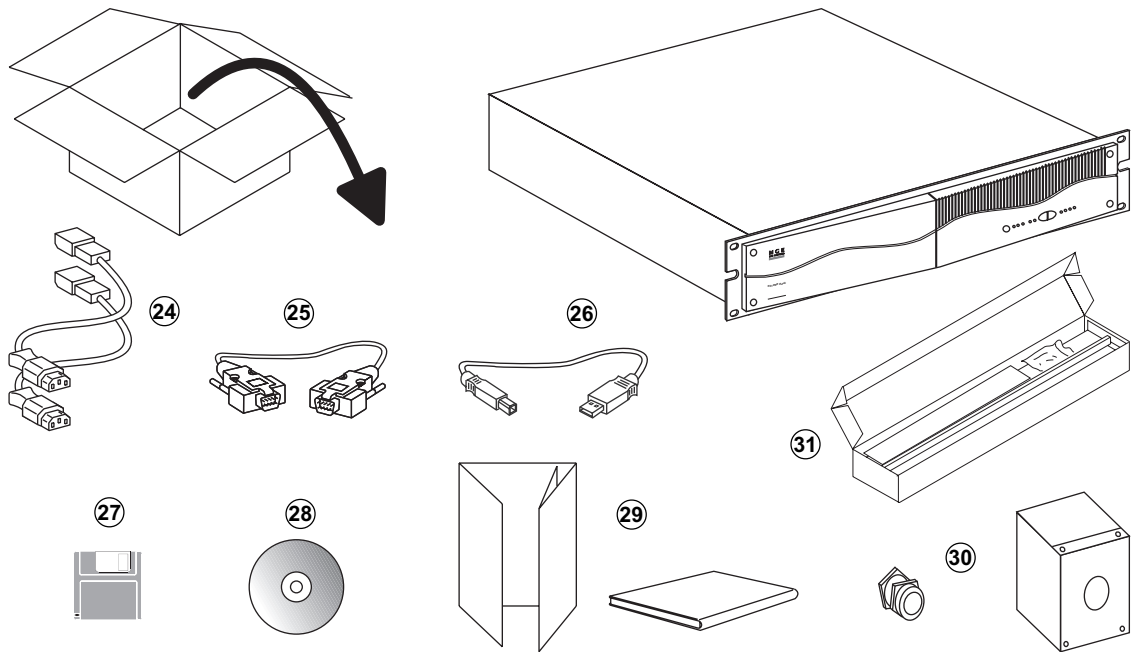
28) "Solution Pac" CD ROM.

29) documentation.

30) box for battery connection.

2. Installation

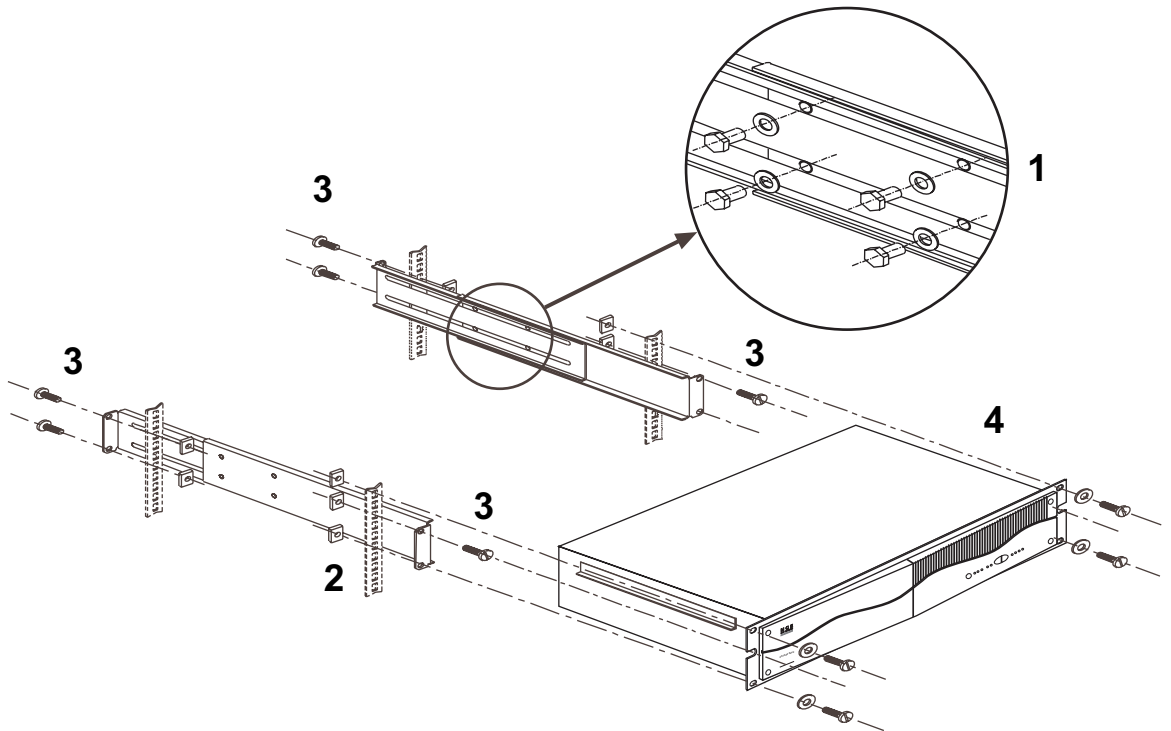
Rack model



- ②4 two cords for connection of the protected equipment.
- ②5 RS 232 communications cable.
- ②6 USB communications cable.
- ②7 "UPS Driver" diskette for UPS personalisation.
- ②8 "Solution Pac" CD ROM.
- ②9 documentation.
- ③0 box for battery connection.
- ③1 telescopic rails for mounting in 19" bay with mounting hardware.

2.2 Installation of the rack version

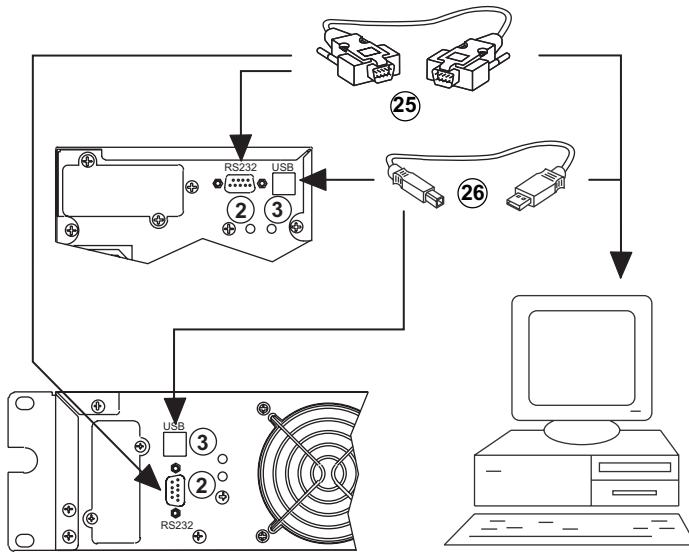
Rack mounting diagram with rails.



The rails and the necessary mounting hardware are supplied by MGE UPS SYSTEMS.

2. Installation

2.3 Connection to the RS 232 or USB communications port (optional)



1 - Connect the RS 232 (25) or USB (26) communications cable to the serial port or the USB port on the computer.

2 - Connect the other end of the communications cable (25) or (26) to the RS 232 (2) or USB (3) communications port on the UPS.

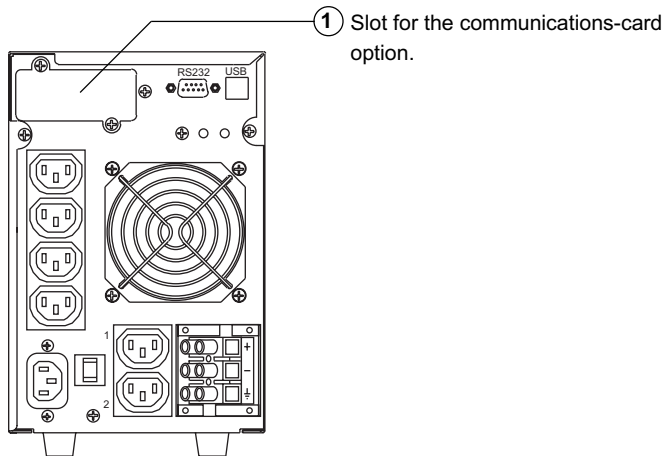
The UPS can now communicate with all MGE UPS SYSTEMS supervision, set-up or safety software.



The RS 232 and USB communications ports cannot operate simultaneously.

2.4 Installation of the communications-card option

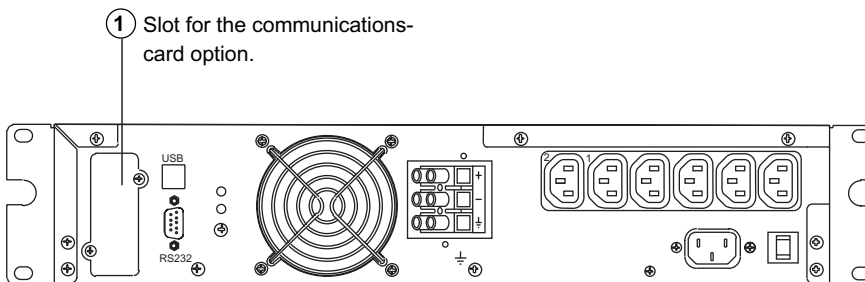
Tower model



It is not necessary to shut down the UPS to install the communications card:

- 1 - Remove the slot ① cover secured by two screws.
- 2 - Insert the card in the slot.
- 3 - Secure the card with the two screws.

Rack model



2. Installation

2.5 Battery connection

Warning

The batteries should be connected only by qualified electrical installation specialists.
The work involved in connecting the batteries must be carried out in accordance with all applicable rules and regulations, respecting all safety measures for working on live equipment, i.e. qualified personnel using insulated gloves, protective eyewear, insulated tools, etc.

Interconnecting the batteries to obtain the required configuration

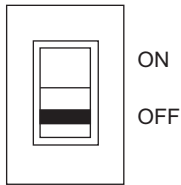
Wire the batteries as indicated in the table below to obtain the required backup time: 2, 4 or 8 hours.
Use sealed lead-acid batteries only with ratings of 12 V / 45 Ah for 2-hour configurations and 12 V / 65 Ah for 4-hour and 8-hour backup times.

Typical backup times at rated power 1500 VA, 1050 W	2 hours	4 hours	8 hours
Configuration Batteries CSB, Panasonic, Sonnenschein, CEAC, ...	2 parallel strings each made up of 4 x 12 V / 40 Ah batteries connected in series for a total voltage (for the 8 batteries) of 48 V.	2 parallel strings each made up of 4 x 12V / 65 Ah batteries connected in series for a total voltage (for the 8 batteries) of 48 V.	4 parallel strings each made up of 4 x 12 V / 65 Ah batteries connected in series for a total voltage (for the 16 batteries) of 48 V.

Connecting the battery configuration to the UPS

The cable and circuit breaker are not supplied.

Connect the battery configuration to terminal **(8)** of the UPS via a protective circuit breaker (40 A, C curve, short circuit 10 kA).

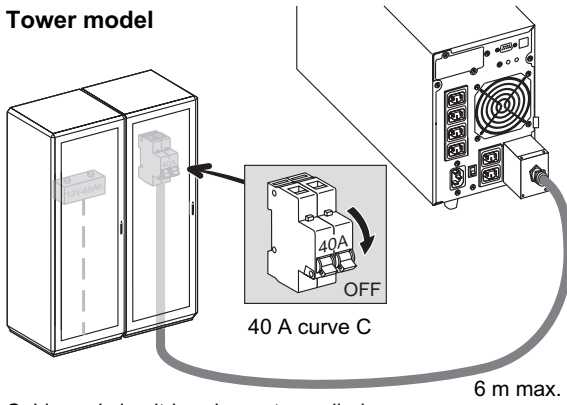


The circuit breaker must remain open (OFF position).

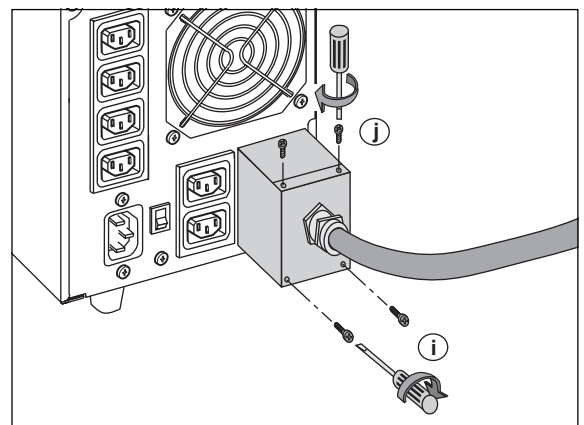
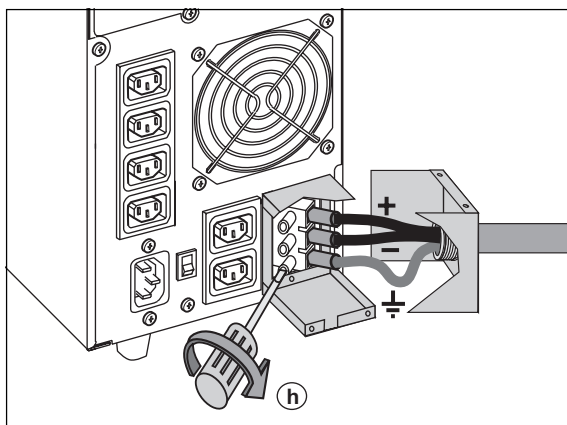
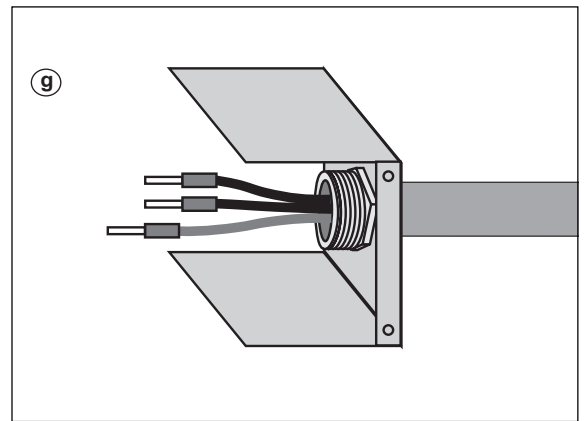
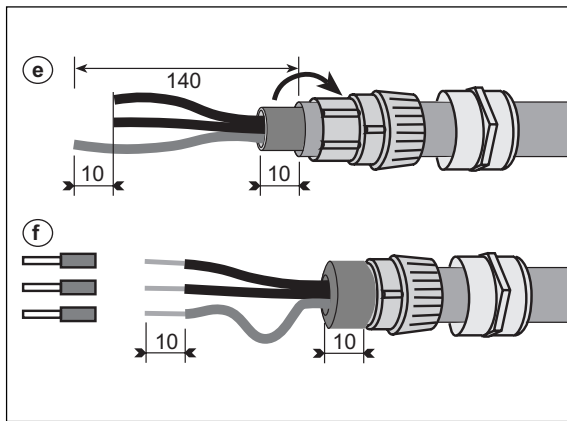
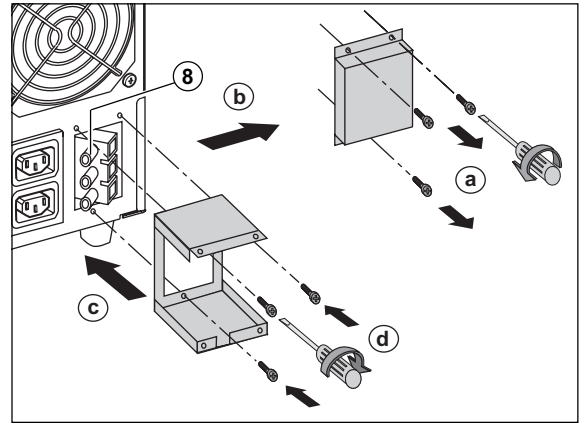
The connection is made using a cable no more than 6 m long made up of 3 x 6/8 mm² conductors (Battery+, Battery- and earth) fitted with metal caps at both ends (we recommend using a shielded cable for equipment that is sensitive to disturbances).

2. Installation

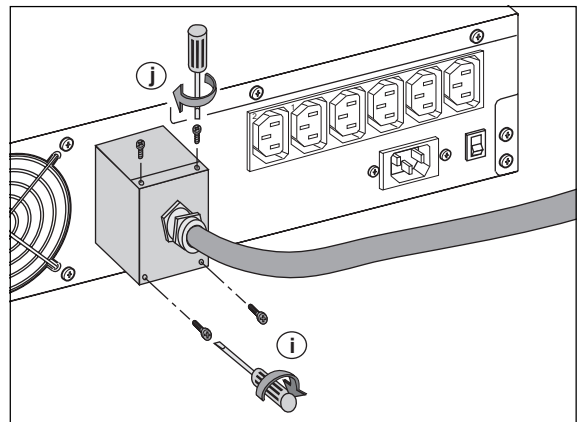
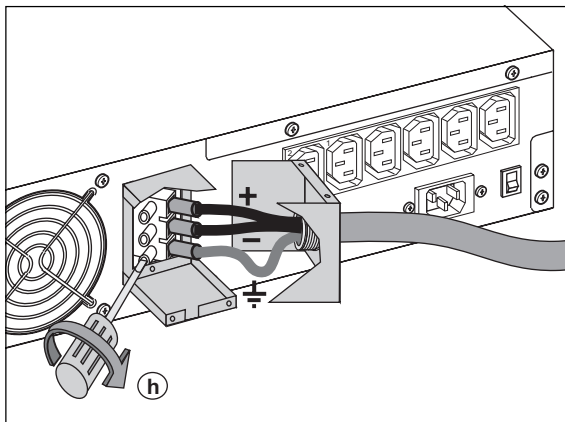
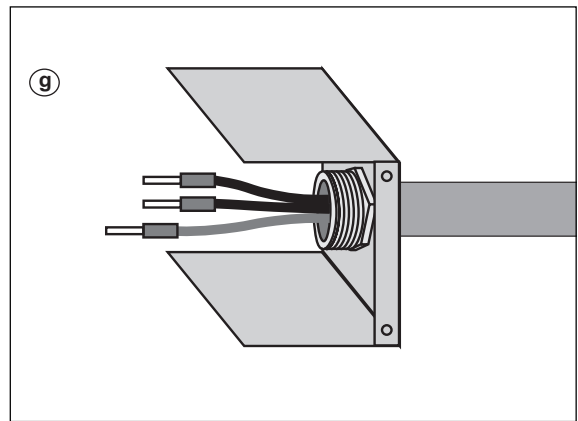
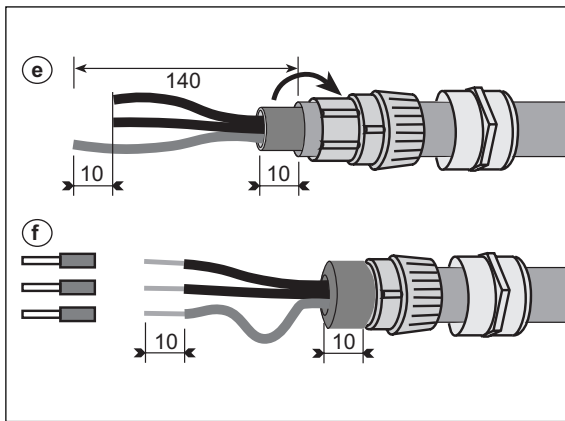
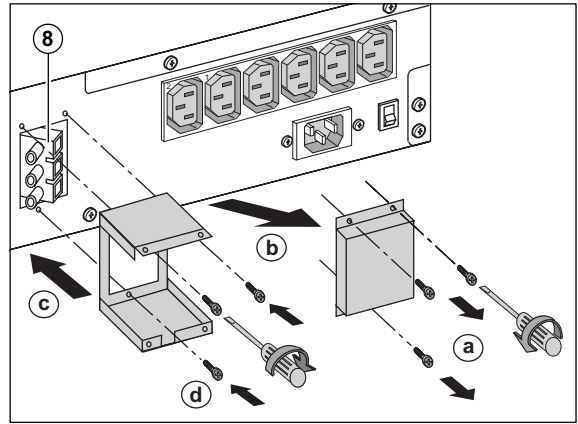
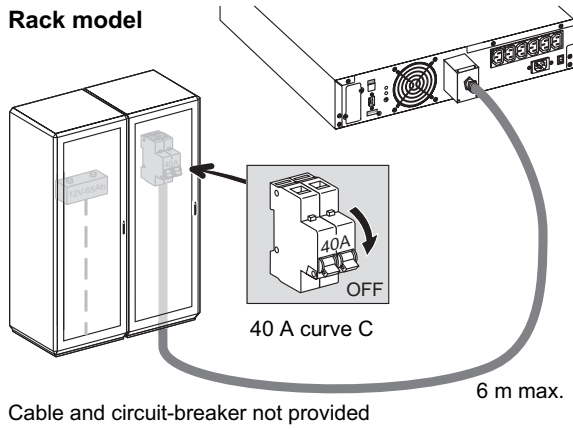
Tower model



Cable and circuit-breaker not supplied



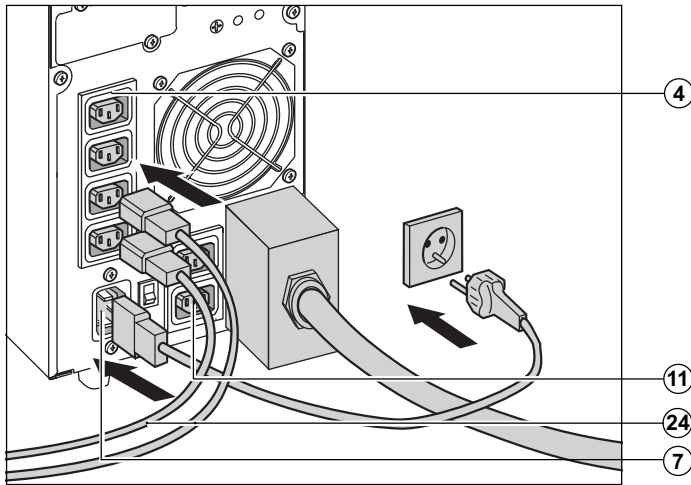
2. Installation



2. Installation

2.6 UPS connection and settings

Tower model



Connecting the UPS to the AC-input source

- 1 - Remove the power cord supplying the equipment.
Check cord characteristics (> 250 V, 10 A, see the technical sheet).
- 2 - Connect the cord to the AC-power socket (7) on the UPS, then to the AC-power wall outlet.

Setting the UPS for the installed battery configuration

(For a 2-hour configuration, skip this step, this is the default setting for the UPS).
The UPS is set using the "UPS Driver" personalisation software that comes with the UPS.

To use the software, use an RS232 cable to connect a PC to the UPS.

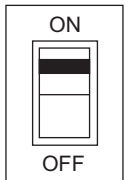
Run the "UPS Driver" software on the diskette, go to the "battery" menu and select the type of CLA charger (2, 4 or 8 hours of backup time).

Once the type of CLA charger has been selected, click "save" and quit "UPS Driver".

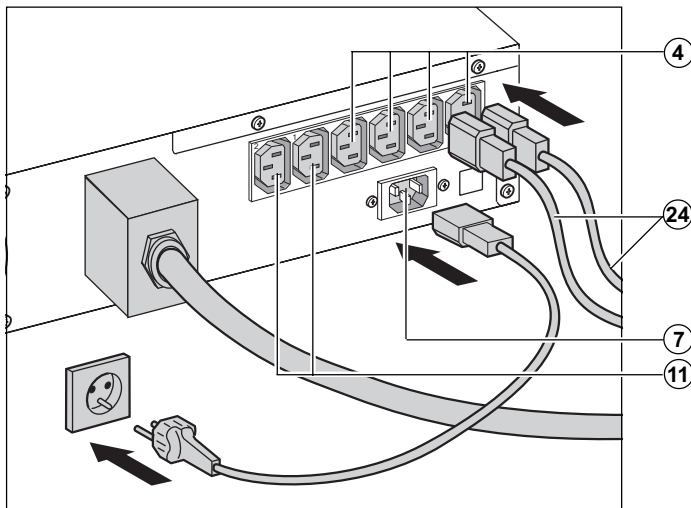
The installation is now configured.

Connecting the UPS to the equipment to be protected

- 1 - Close the battery circuit breaker.
- 2 - Connect the protected equipment to the UPS using the cords (24). It is advised to connect priority loads to the four outlets (4) and any non-priority loads to the two programmable outlets (11).



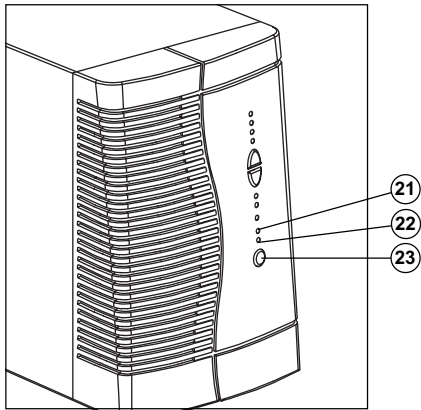
Rack model



3. Operation

3.1 Start-up

The protected equipment connected to the UPS can be energised, whether AC input power is available or not.



Caution: the AC input power source must be present when energising for the first time.

Press the ON / OFF button (23).

The buzzer beeps and all the LEDs go ON.

The buzzer beeps twice, then:

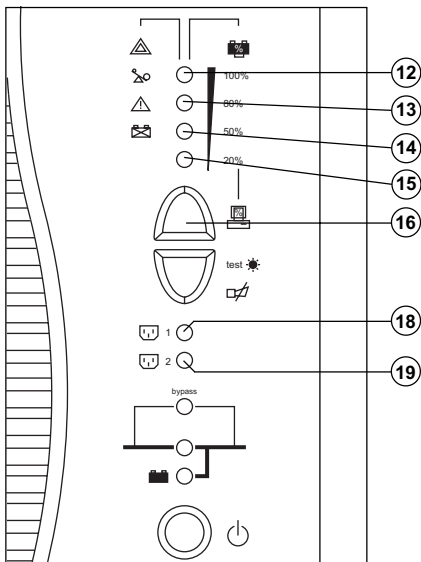
- If AC input power is available, LED (21) goes ON, indicating operation in ON-LINE mode.
- If AC input power is not available and the UPS is configured for automatic restart mode, the buzzer beeps three times and LED (22) goes ON, signalling operation on battery power.

All connected equipment is energised.



If LEDs (21) or (22) do not go ON or if LEDs (12) to (14) flash, there is a fault (see section 4.1).

3.2 Bargraph indications



LEDs (12) to (15) provide three different indications:

1 - Remaining backup time in percent (during normal operation).

2 - Percent load drawn by the protected equipment, when button (16) is pressed.

3 - Operating faults (flashing LED and beeps):

- (12) Overload.
- (13) UPS fault.
- (14) Battery fault.

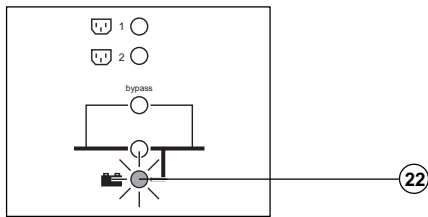
Status LEDs (18) and (19) for programmable outlets 1 and 2:

- LEDs OFF: the outlets are not supplied with power.
- LEDs flashing: status change in progress.
- LEDs ON: the outlets are supplied with power.

Outlets 1 and 2 can be remotely programmed and controlled. They may be used for sequential start-up of the protected applications, shedding of non-priority applications during operation on battery power, and priority management at the end of battery backup time to reserve the longest possible backup time for the most sensitive applications. These outlets are programmed using Solution Pac software.

3.3 Operation on battery power (following failure of AC input power)

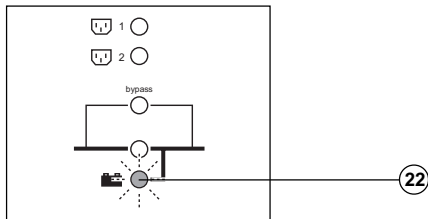
Transfer to battery power



The AC-power source is outside tolerances, LED (23) is ON, the buzzer beeps three times.

The equipment connected to the UPS is supplied by the battery.

Threshold for the low-battery warning



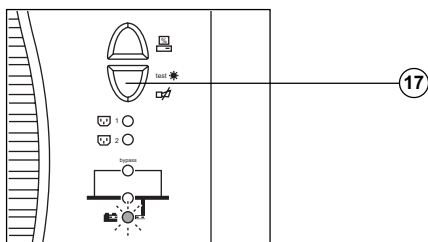
The low-battery warning threshold can be set by the user, with the "UPS Driver" software (see section 3.4).

LED (22) flashes.

The buzzer beeps every three seconds.

There is very little remaining battery backup time. Close all applications because UPS automatic shutdown is imminent.

End of backup time



The buzzer sounds continuously.

Press button (17) to turn the buzzer OFF.

The equipment is no longer supplied with power.

The UPS goes to sleep mode at the end of the battery backup time until complete shutdown due to tripping of the battery-protection function against deep discharge.



Return of AC input power:

If, in spite of the return of AC input power, the UPS does not restart, check that the automatic-restart function (activated by return of AC input power) has not been disabled (see section 3.4).

3. Operation

3.4 Personalisation (optional)

Function

Personalisation parameters can be set and modified using the "UPS Driver" software installed on a computer that is connected to the UPS (see section 2.3 Connection to the RS 232 (or USB) communications port).



Check that the RS 232 (25) or USB (26) cable is properly connected.

"UPS Driver" installation:

- 1 - Insert the "UPS Driver" diskette in the drive of a PC running Windows.
- 2 - Select the disk drive (A:).
- 3 - Double-click "upsdrv.exe".

Once "UPS Driver" has been installed, UPS parameters can be modified in a window containing a number of tabs, each presenting a set of parameters.

"ON / OFF conditions" tab

Personalisable function	Default setting	Options
Automatic start	Enabled	Disabled
Cold start (battery power)	Enabled	Disabled
Forced shutdown	Enabled	Disabled
Sleep mode	Disabled	Enabled
UPS ON / OFF via software	Enabled	Disabled

"Battery" tab

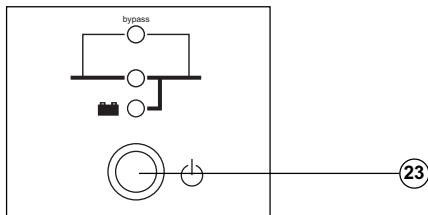
Personalisable function	Default setting	Options
Automatic "Battery test" intervals	Every day	Once a week Once a month No test
"Low-battery warning" threshold	20% remaining battery backup time	40% remaining battery backup time

"Output" tab

Personalisable function	Default setting	Options
Rated UPS voltage	230 V	200 V - 210 V - 220 V - 240 V
Rated UPS frequency	F = 50 Hz	60 Hz
UPS tolerance for AC-power source frequency	F ± 5 %	F ± 1 % to ± 10 %, in 1 % steps
Overload alarm threshold	110 %	0 to 110 %, in 10 % steps
UPS restart following short-circuit	Disabled	Enabled (click to add check)

"Bypass" tab

Personalisable function	Default setting	Options
Transfer to bypass if overload	Enabled	Disabled (click to remove check)
Transfer to bypass following a fault, whatever the conditions on the AC-power source	Disabled	Enabled (click to add check)



Press button **23** (return to the OFF position).

The connected equipment is no longer supplied with power.

4. Maintenance

4.1 Troubleshooting

If any of LEDs (12), (13) or (14) flash, there is a operating anomaly or an alarm.


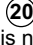



If a LED flashes, the bargraph data is no longer displayed.

Troubleshooting not requiring MGE UPS SYSTEMS after-sales support

Indication	Signification	Correction
LED (12) flashes and the buzzer beeps.	UPS overload. Overload is too long or too high. ▶ If AC power is present and within tolerances, the UPS goes to bypass mode (supply directly by the AC-power source). LED (20) flashes. The buzzer beeps every seconds. ▶ If AC power is not present or not within tolerances, the connected applications are no longer supplied. The buzzer sounds continuously.	Check the power drawn by the equipment and disconnect any non-priority devices.
LED (14) flashes.	A battery fault was detected during the automatic battery test.	▶ Check that the battery connector is fully pushed in. ▶ Replace battery module (see the Maintenance section).
The yellow LED (15) flashes, the red indicator light (10) behind the UPS comes on and the buzzer sounds continuously.	The function for monitoring the phase and neutral position of your electrical network has detected a reversal.	Directly earthed neutral type networks: to correct cabling, unplug and turn the network socket, of the DIN-SCHUKO type, by 180 degrees or contact an electrician to modify your electrical network. For all other network types, deactivate the detection function (this function is only operational for directly earthed neutral electrical networks): Press for at least 5 seconds the pushbutton (9) behind the UPS (UPS stopped and connected to the network for less than 30 minutes).

Troubleshooting requiring MGE UPS SYSTEMS after-sales support

Indication	Signification	Correction
LED  flashes and the buzzer sounds continuously.	<p>UPS electronics have detected a UPS fault. Depending on the UPS personalisation parameters (see section 3.4), there are two possibilities:</p> <ul style="list-style-type: none">▶ the equipment connected to the UPS continues to be supplied, but directly from the AC-power source (via the automatic bypass (LED  ON);▶ the connected equipment is no longer supplied. <p> The equipment connected to the UPS is no longer protected.</p>	Call the after-sales support department.

5. Environment

This product has been designed to respect the environment:

It does not contain CFCs or HCFCs.

UPS recycling at the end of service life:

MGE UPS SYSTEMS undertakes to recycle, by certified companies and in compliance with all applicable regulations, all UPS products recovered at the end of their service life (contact your MGE UPS SYSTEMS branch office).

Packing:

UPS packing materials must be recycled in compliance with all applicable regulations.

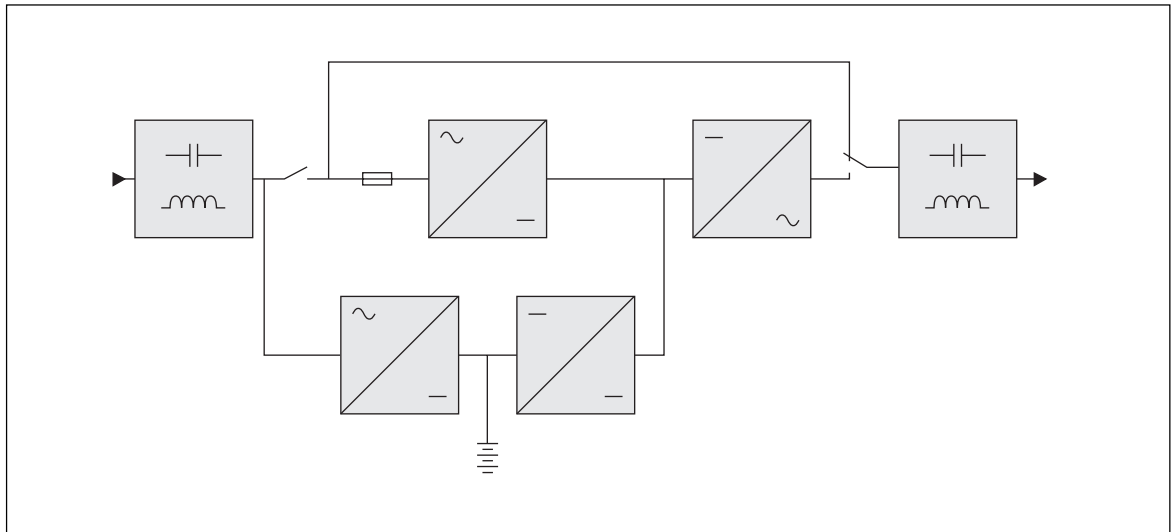
Warning:

This product contains lead-acid batteries. Lead is a dangerous substance for the environment if it is not properly recycled by specialised companies.

Web site: www.mgeups.com

6.1 Technical characteristics

Simplified diagram



Operating conditions

Relative humidity: 20 to 90 % without condensation.
 Temperature: 0 to 40° C.

Input voltage and frequency	Output voltage and frequency
160 V to 276 V +/- 5 % (at rated power) 50 Hz or 60 Hz +/- 5 %	200* / 210 / 220 / 230 / 240 V 50 Hz or 60 Hz +/- 5 %

* Except TUV

6. Appendices

6.2 Glossary

Authorised voltage range for transfer to bypass if fault or overload	Upper and lower voltage thresholds within which the UPS can operate on the automatic bypass in the event of a UPS fault or overload.
Automatic bypass	Automatic switch controlled by the UPS, used to connect the equipment directly to the AC-power source in the event of a UPS failure or an overload.
Automatic start following return of AC input power	This function automatically starts the UPS when AC input power returns following shutdown at the end of the battery backup time. It can be enabled or disabled.
Backup time	Time that the connected equipment can operate on battery power.
Bargraph	Device on the front panel indicating the percent remaining backup time or the percent load.
Battery test	Internal UPS test on battery status.
Dialog box	A window in a computer program displayed for selection by the user of various options and parameter settings.
Double conversion	The power supplied to the connected equipment is completely regenerated by continuous double conversion, i.e. the AC power from the AC-power source is rectified (AC - DC), then converted back (DC - AC) to AC power.
Equipment	Devices or systems connected to the UPS output.
Forced shutdown	Ten-second interruption in the supply of power to the connected equipment following a system shutdown, even if AC input power returns during the interruption period.
Percent load	Ratio between the power drawn by the connected equipment and the total power that the UPS can supply.
Personalisation	A number of UPS functions can be modified using the «UPS Driver» software to better meet the user's needs.
Programmable outlets	Outlets that can be automatically shed during operation on battery power (a shedding time delay may be programmed using Solution-Pac software).
Start on battery power	This function makes it possible to energise the connected equipment even when AC input power is not available (operation exclusively on battery power).
UPS	Uninterruptible Power Supply
UPS ON / OFF via software	It is possible to enable or disable use of UPS ON / OFF controls by the computer-system protection software.

6.3 Index

A

AC power	
Failure	21
Frequency tolerance	23
Return	21
Automatic start	22

B

Bargraph	10-20
Battery	
Battery test	22
End of backup time	21
Fault	10-20
Handling precautions	3
Low-battery warning	22
Recycling	3-26
Transfer to battery power	21
Buttons	8-9-10
Buzzer	20-21
Bypass	
Automatic bypass	10-23-25

C

Communication	8-9-14-15
Connection	
Additional battery module	8-9
Communications card	14
RS 232 communications port	14
USB communications port	14

D

Dimensions	7
------------------	---

E

Environnement	2-3-26
---------------------	--------

F

Fault (UPS)	10-20-24-25
-------------------	-------------

L

LEDs	8-9-10
Lamp test	10

M

Mode	
ON LINE mode	10

O

Overload	10-23-25
----------------	----------

S

Safety	3
Shutdown	
Buzzer	10-21
Forced shutdown	22
UPS ON / OFF via software	22
UPS shutdown	10-23
Sleep mode	22
Automatic restart	20-23
Software	
UPS Driver	22
Start-up	20

T

Technical characteristics	27
Temperature	
Excessive ambient temp.	27
Transfer (forced)	10

U

UPS Driver	22
UPS fault	10-20-23
UPS storage	3

W

Web site	2
Weight	7

MGE UPS SYSTEMS

Nothing will stop you now

140, Avenue Jean Kuntzmann
ZIRST - Montbonnot St Martin
38334 - Saint Ismier Cedex - France
www.mgeups.com



5103199800-AA

M G E
UPS SYSTEMS