



ИБП Eaton Comet EXtreme 12 kVA Rackmount - Инструкция по установке и эксплуатации Comet Ex

Постоянная ссылка на страницу: <https://eaton-power.ru/catalog/mge-comet-extreme/comet-extreme-12-kva-ra>

Comet
EXtreme CLA
12 kVA

Installation manual



NOTHING WILL STOP YOU NOW

MGE
UPS SYSTEMS

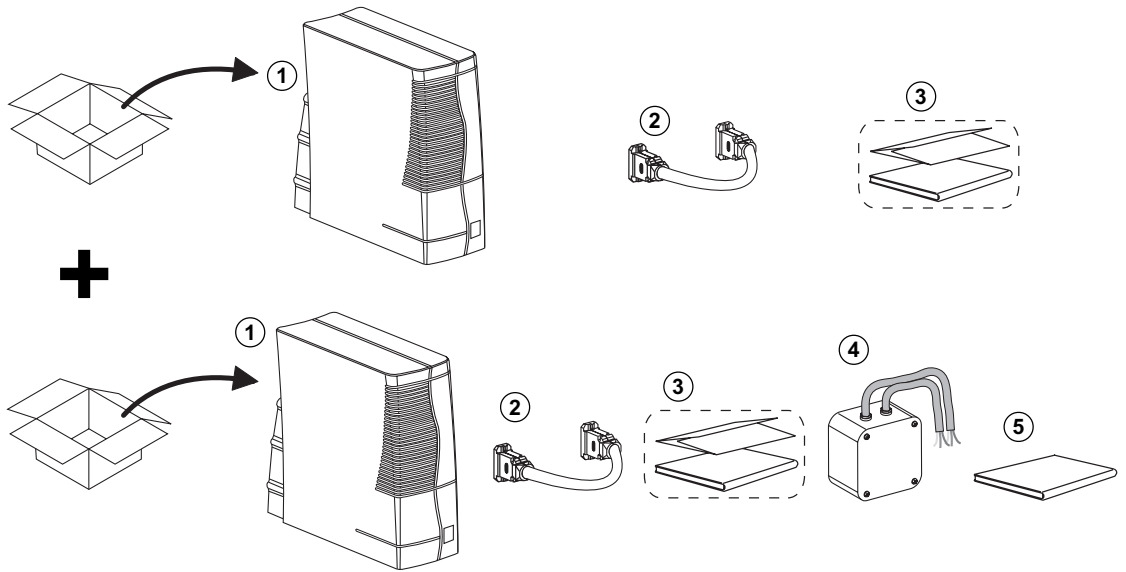




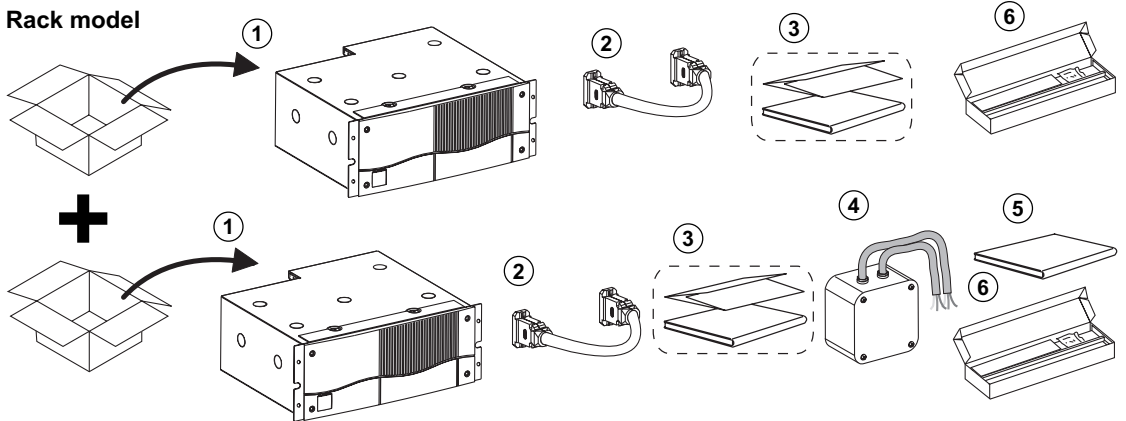
1. Unpacking ... and checking the contents

Comet *EXtreme* CLA 12 kVA

Tower model



Rack model



① Comet *EXtreme* CLA module.

② connection cable.

③ documentation.

④ connection box.

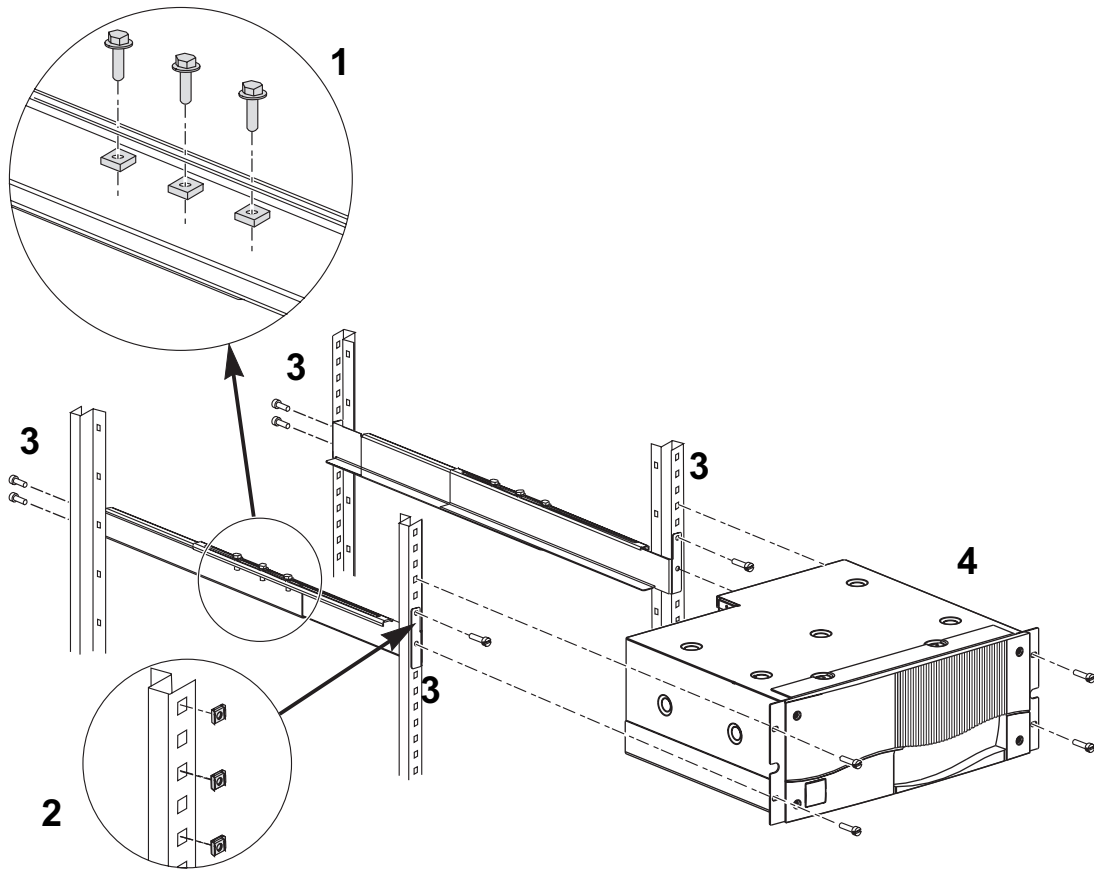
⑤ installation manual.

⑥ telescopic rails and 19" rack mounting hardware.

2. Installation

2.1 Mounting (Rack model)

Mounting the rails in the rack



The rails and the screws required to mount them are included in the box.

To mount the connection box in a rack, use the mounting brackets and screws packed with the connection box.

2.2 Checking equipment compatibility

Check that the UPS and CLA modules are compatible:

	UPS no.	CLA no. (x2)	Conn. box no.
Comet <i>EXtreme</i> CLA 12kVA	51033120 or 51033121	51033069	51033772
Comet <i>EXtreme</i> CLA 12kVA (Rack)	51033602	51033569	51033772

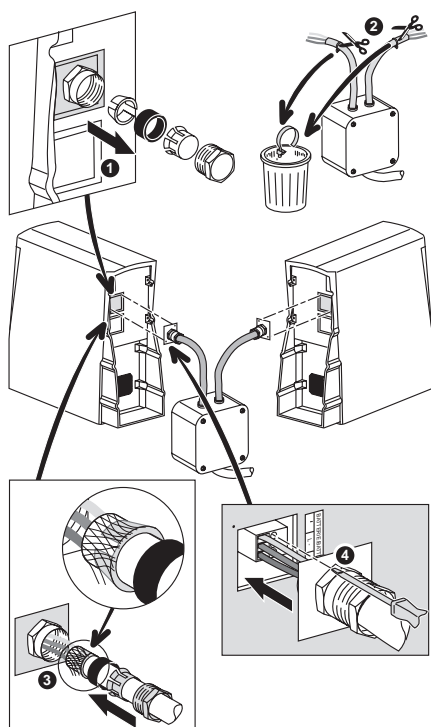
2.3 Batteries to be used

Use only 12 Volt/65 Ah lead-acid batteries.

Connect them as indicated below to obtain the required backup time:

Backup time	2 hours	4 hours	8 hours
Comet <i>EXtreme</i> CLA 12kVA	2 parallel-connected strings of 20 12V / 65Ah batteries	4 parallel-connected strings of 20 12V / 65Ah batteries	6 parallel-connected strings of 20 12V / 65Ah batteries

2.4 Connecting the Comet *EXtreme* CLA modules to the connection box



This operation may be carried out only by qualified electricians using the necessary safety equipment for work on live parts (insulated tools, gloves, goggles).



The connection of each module to the electrical supply must be protected by an easily accessible circuit breaker (not supplied). A module can be isolated from the electrical supply by opening this circuit breaker.



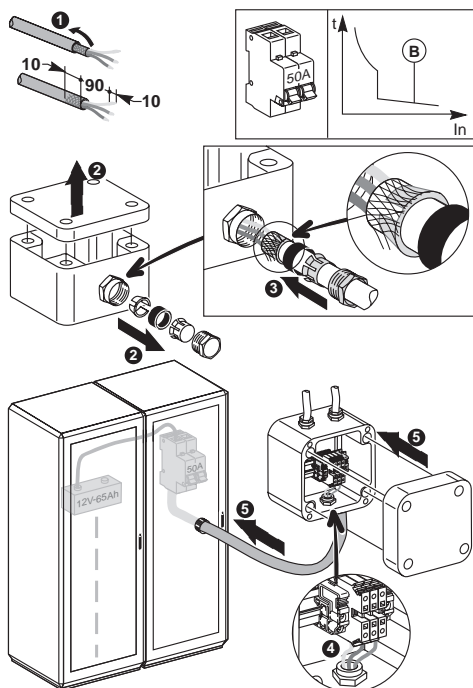
Before making any connections or working on the equipment, make sure the battery circuit breaker is in OFF position and that the main contacts of the upstream protective devices of the electrical installation are open (OFF position).

For maximum battery life, **Comet *EXtreme* CLA** modules must be installed in the same room as the UPS so that the automatic regulation of the charge voltage as a function of temperature can work correctly. Two cables exit the connection box. Do not modify the length of these cables. Each of these cables must be connected to a **Comet *EXtreme* CLA** module as indicated below.

1. Unscrew the plate and dismantle the metal cable glands on the **Comet *EXtreme* CLA** modules.
2. Cut and remove the retainers on the shielded cables of the connection box.
3. Mount the cable glands on the shielded cables.
4. Connect the 3 conductors of each cable and remount the plate.

2. Installation

2.5 Connecting the batteries to the connection box



Use a 3-conductor cable (shielded, max. length 6 m, 3 x 10 mm² conductors) to be passed through the shielded cable gland.

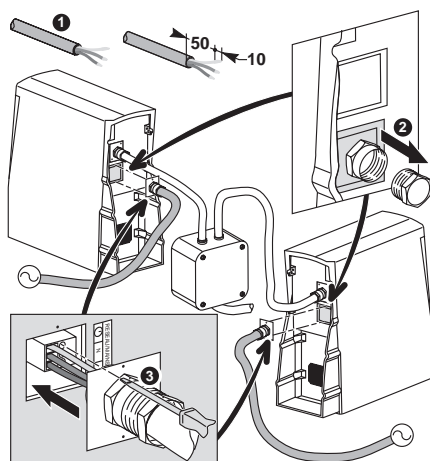


Use a 50 A circuit breaker (curve B) for protection.

Note: the cable and circuit breaker are not supplied with the product.

1. Prepare the cable.
2. Unscrew the cover and dismantle the metal cable gland of the connection box.
3. Mount the cable gland on the shielded cable.
4. Connect the 3 conductors to the terminal block and refit the connection box cover.
5. Connect the other end of the cable to the circuit breaker.

2.6 Connecting the Comet EXTreme CLA modules to the power source



Use flexible cables (3 x 2.5 mm² conductors) to be passed through the plastic cable gland.



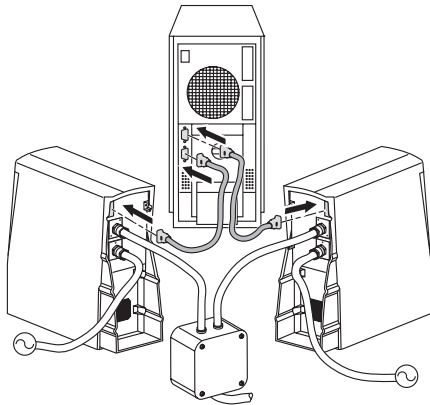
Always connect the earth wire first. Use a 10 A circuit breaker (curve C) for protection.

Note: the cable and circuit breaker are not supplied with the product.

1. Prepare the cable.
2. Unscrew the plate with the plastic cable gland.
3. Connect the 3 conductors and remount the plate.

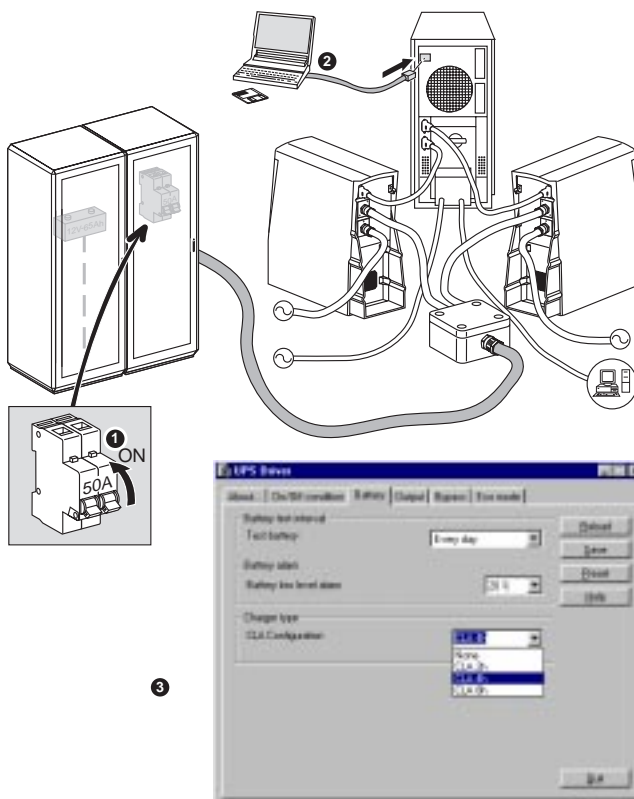
2. Installation

2.7 Connecting the UPS to the two Comet *EXtreme* CLA modules



Use the connection cables supplied with the modules.

2.8 Setting the UPS



Before connecting the loads to be protected and starting the system, the UPS must be reconfigured using the UPS Driver software supplied on a diskette with the UPS.

1. Switch the battery circuit breaker to ON position.
2. Connect a PC to the UPS using an RS232 cable.
3. Run the UPS Driver software installed on a diskette. Go to the "battery" menu and select the battery backup time (2, 4 or 8 hours) corresponding to the new configuration.

Once the backup time has been set, click to save the settings and exit UPS Driver. This procedure is necessary for fast recharge of the batteries by the **Comet *EXtreme* CLA**. The installation is now ready and you can connect the equipment to be protected.

3. Technical specifications

Dimensions and weights

For 1 module	Dimensions in mm (H x W x D)	Weight in kg
Tower model	443 x 173 x 465	10
Rack model	177(4U) x 483 x 462	14

Operating voltage and frequency of the Comet EXtreme CLA

Voltage: 160 to 260 volts.

Frequency: Same as that of the UPS.

Battery backup times

Comet EXtreme CLA 12kVA	Rated power (Pn)	0.75 Pn	0.5 Pn
2-hr CLA	2 hrs 30 min	3 hrs 30 min	5 hrs 20 min
4-hr CLA	5 hrs 40 min	7 hrs 30 min	13 hrs 40 min
8-hr CLA	9 hrs	13 hrs 40 min	21 hrs

Recharge time and current

Recharge time (to 90% full backup time)	2-hr CLA	4-hr CLA	8-hr CLA
Comet EXtreme CLA 12kVA	9 hrs	15 hrs	21 hrs

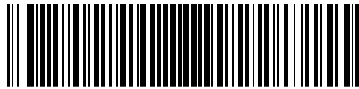
The total recharge current is 11 A whatever the configuration.



MGE UPS SYSTEMS

Nothing will stop you now

140, Avenue Jean Kuntzmann
ZIRST - Montbonnot St Martin
38334 - Saint Ismier Cedex - France
www.mgeups.com



5103377700-AB

