



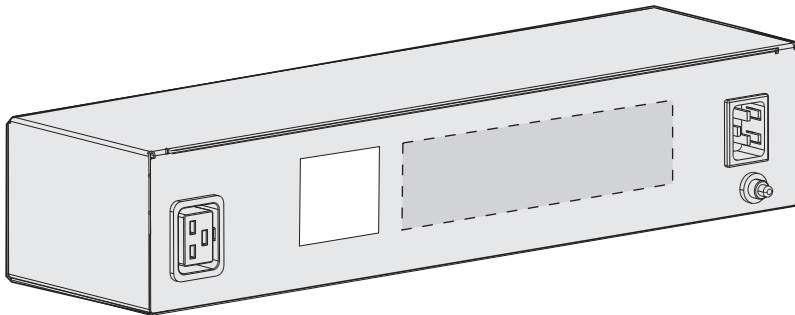
ИБП Eaton EX 3000 3U Rack/Tower - Eaton EX - Морской фильтр 3000 ВА - Установка и руководство

Постоянная ссылка на страницу: <https://eaton-power.ru/catalog/eaton-ex/eaton-ex-3000-3u-rack-tower/>

# Marine Filter

3000 VA

Installation and user  
manual



*Powering Business Worldwide*

*Powering Business Worldwide*



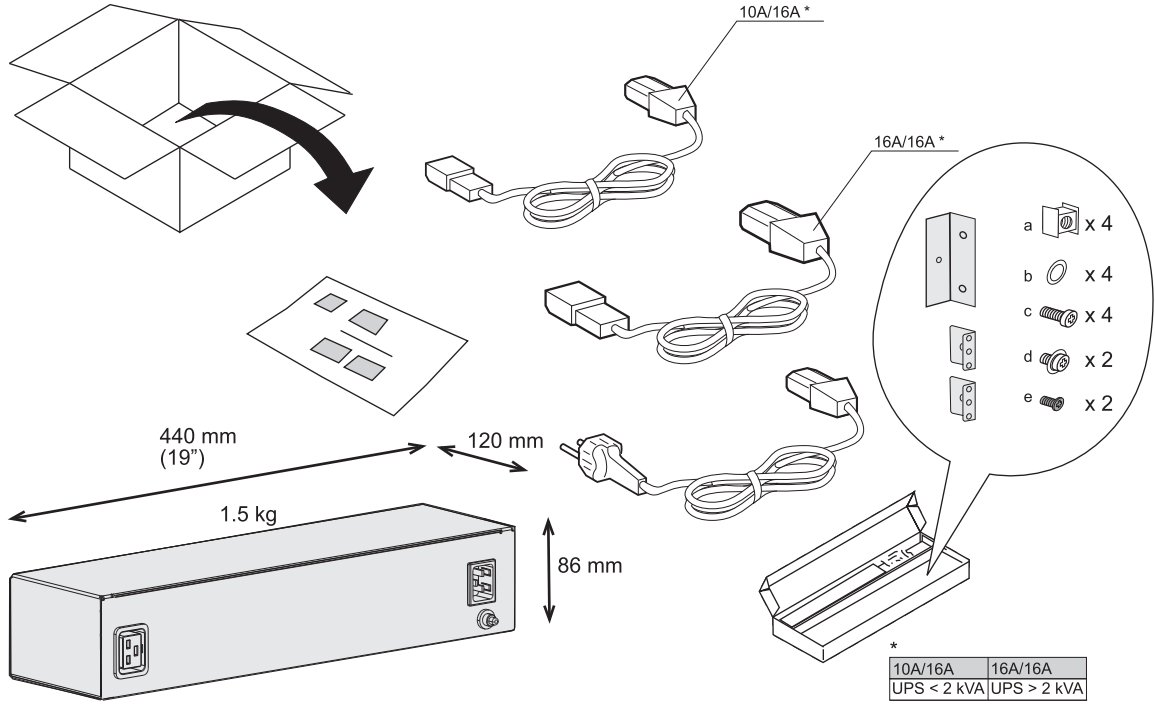
34008410/AD

www.eaton.com

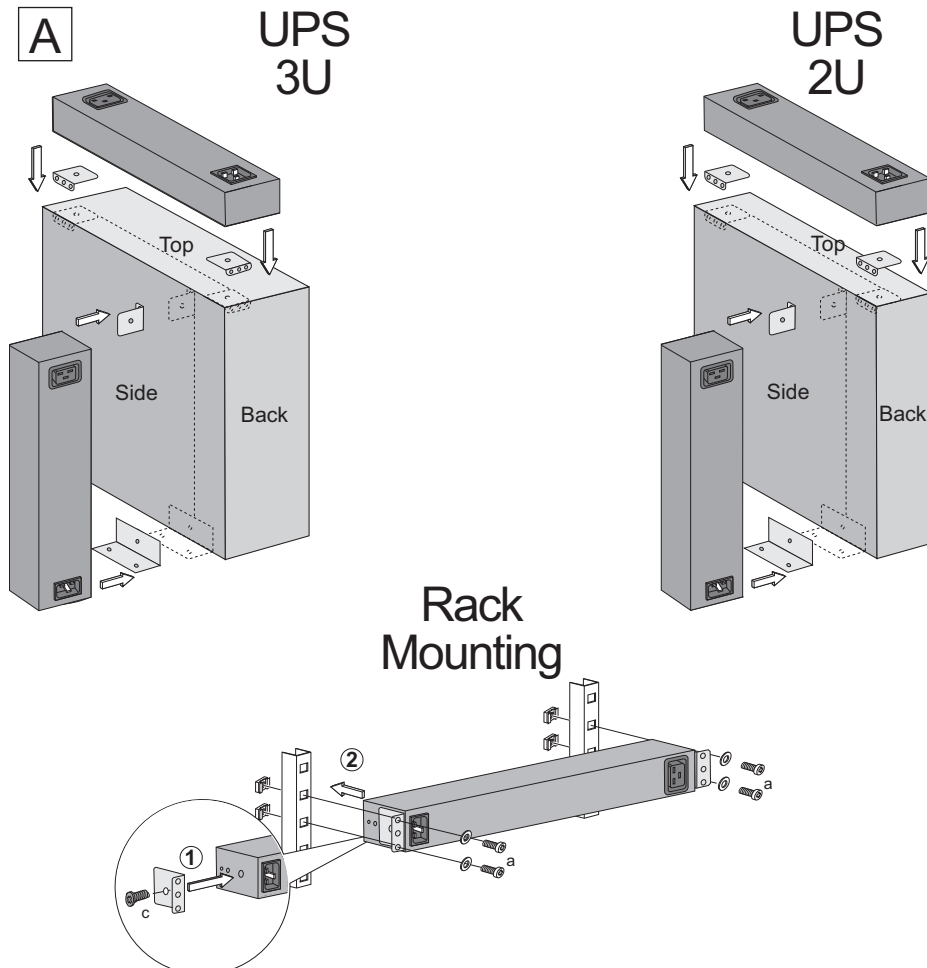
## Introduction

This product filters the low frequency noises produced by a UPS from 10 Hz to 150 KHz.

## Packaging



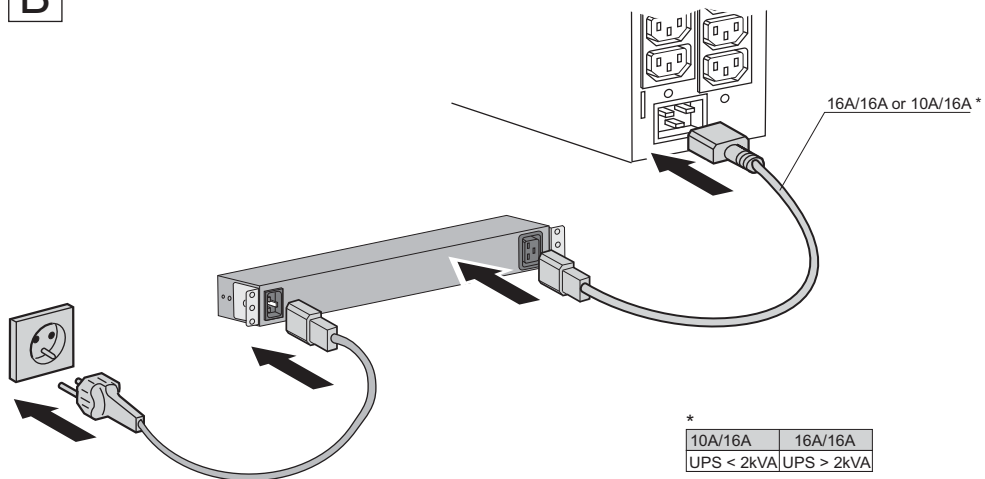
## Installation



# Installation

The socket-outlet shall be installed near the equipment and shall be easily accessible.

**B**



## Important safety instruction:

Dangerous voltage levels are present within the filter. It should be opened exclusively by qualified service personnel.

# Technical specifications

	Marine Filter 3000 VA
<b>Power rating</b>	3000 VA (Can be used with UPS up to 3 kVA)
Voltage	Single phase 220-240 V
Alternative current	16A max
Frequency	50/60 Hz
Inrush current	288A crest/68 μs
<b>Dimensions (HxLxD)</b>	86 mm x 440 mm (19") x 120 mm
<b>Standards</b>	
Safety standards	CEI 60950, CEI/EN 62040-1-1 & CEI 60945
EMC standards	CEI 62040-2 & CEI 60945
<b>Environment</b>	
▶ Operating temperature range	5°C to 55°C
▶ Relative humidity	20% to 90% (non-condensing)

