



ИБП Eaton / MGE EX RT - Eaton EX RT Батарейный модуль - Быстрый старт

Постоянная ссылка на страницу: <https://eaton-power.ru/catalog/eaton-mge-ex-rt/>

Battery Module EX RT EXB 5/7/11 Quick Start



Standard Features

- When used with standard system, the EX RT EXB 5/7/11 provides additional back-up time.
- Hot-swappable.
- Remote Emergency Power Off (REPO) capability.

STEP 1 EX RT EXB Battery Module Unpacking and Parts Check

EX RT EXB Battery Module Box Contents



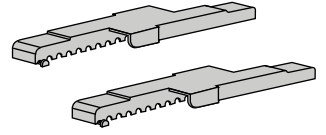
EX RT EXB Quick Start



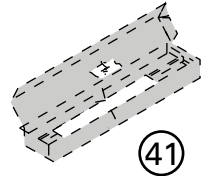
Warranty and Product Registration



Tower Stand Expanders



Rail Kit



Detection Cable

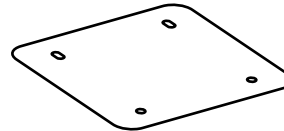


Bezel Hex Drive

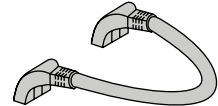


(not to scale)

Stabilizer Bracket
(4 screws included)

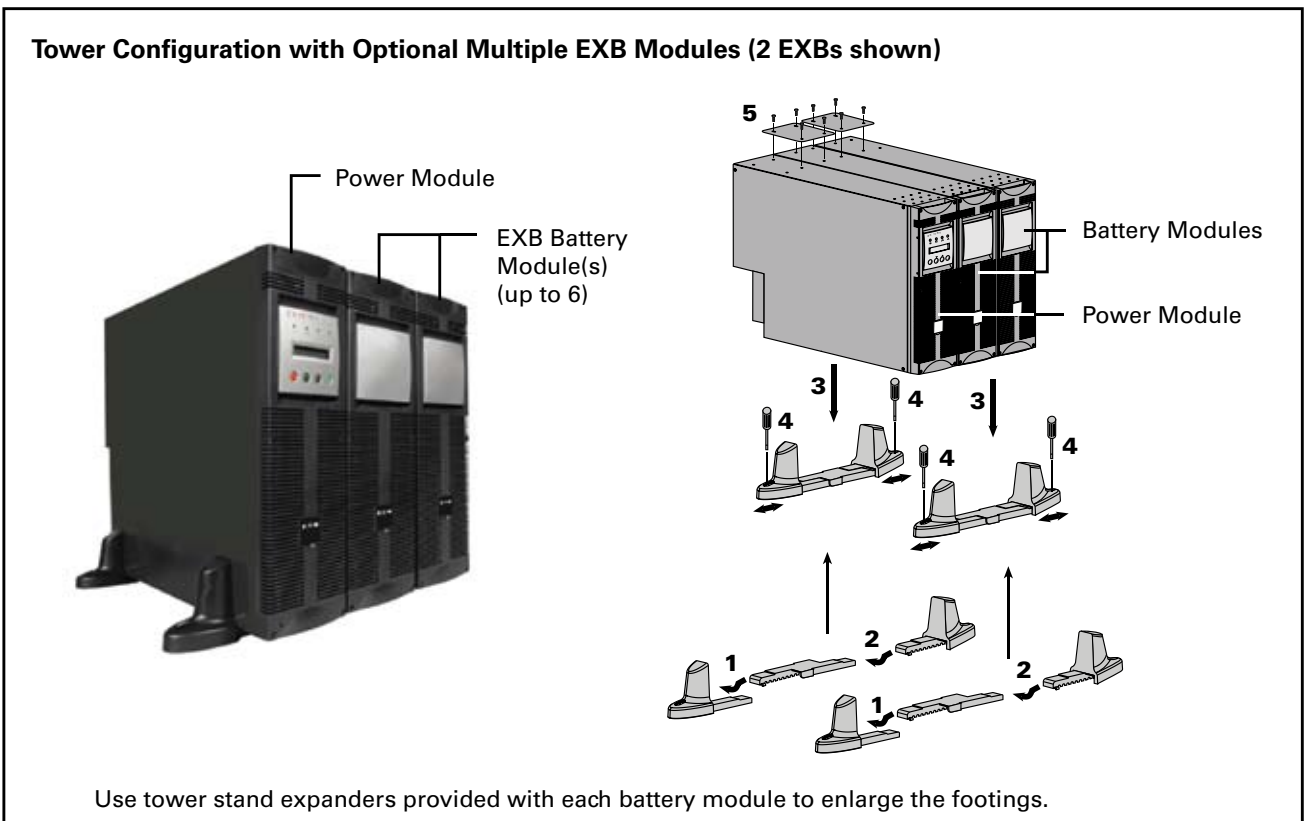
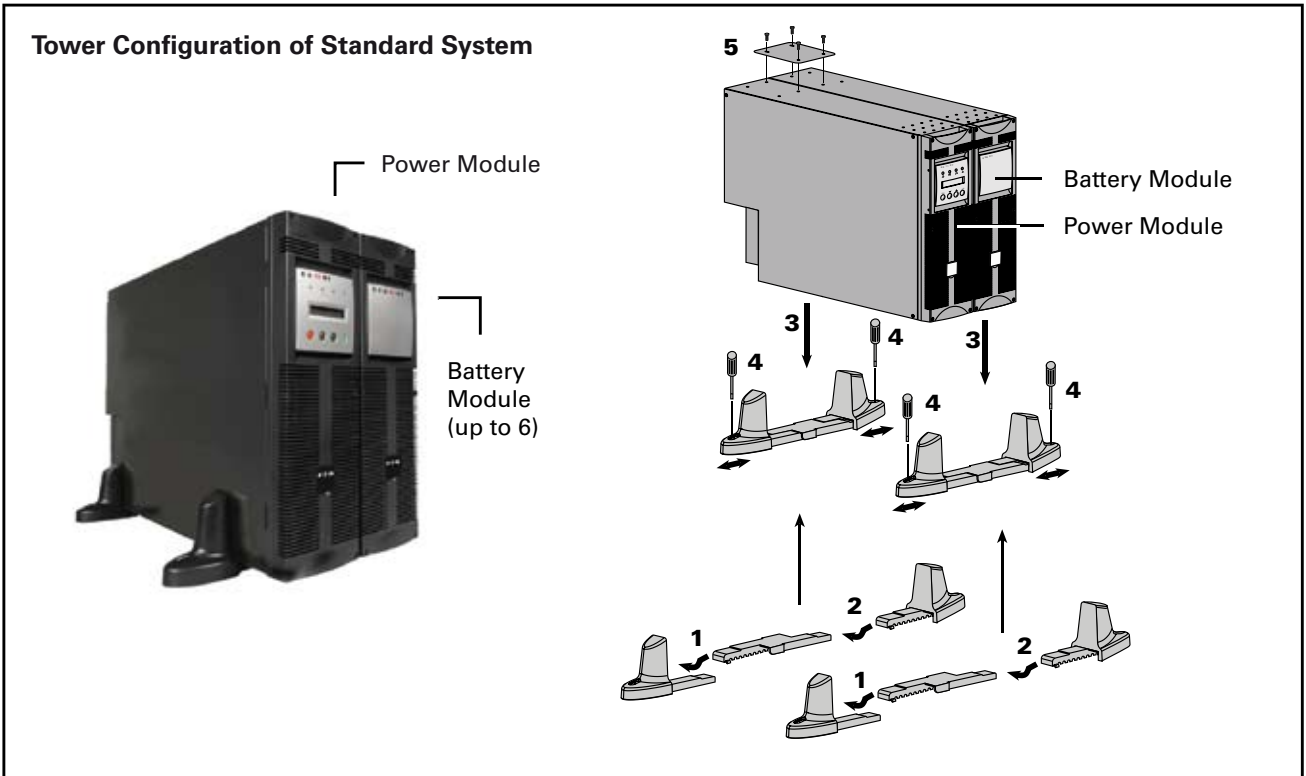


Battery Power Cable



- EX RT EXB 5 Battery Module Part number 86207
- EX RT EXB 7 Battery Module Part number 86207
- EX RT EXB 11 Battery Module Part number 86209

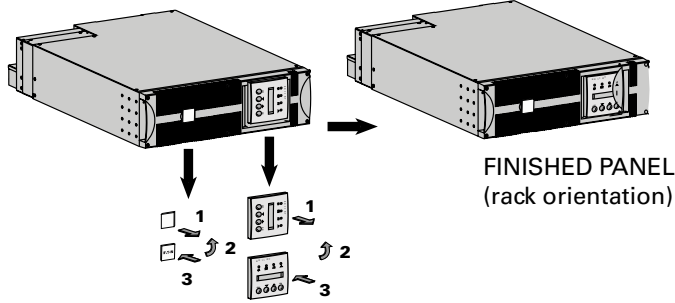
STEP 2 EX RT EXB Tower Configuration



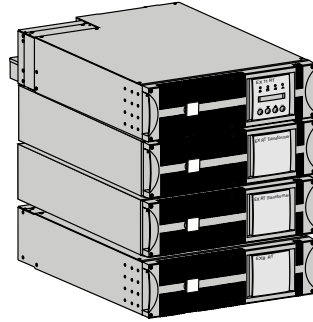
STEP 3 Rack Configuration

See System Installation and User Manual for details.
EX RT EXB Front Panel Display and Rack Installation

- A. Prepare the front panel logo and LCD display for rack orientation, Apply to all modules including Transformer, CLA, if equipped (Power Moduler shown).

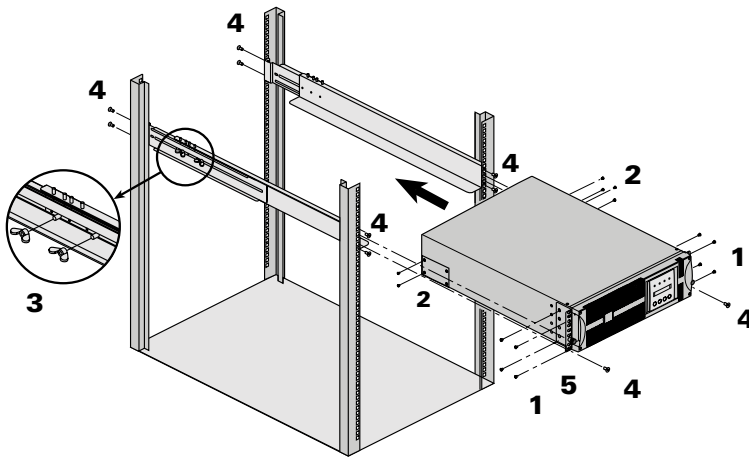


Layout of Modules in Rack Configuration (3 EXBs shown)

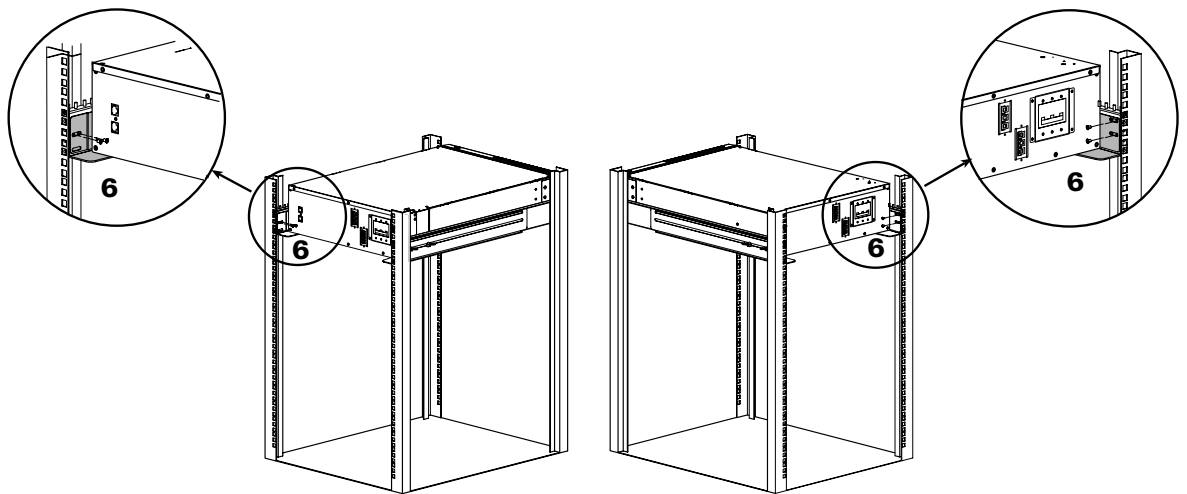


1. Power Module (Top, EX RT 5/7/11)
2. EX RT EXB Battery Module (Upper)
3. EX RT EXB Battery Module (lower)
4. EX RT EXB Battery Module (bottom)

- B. Rack Installation

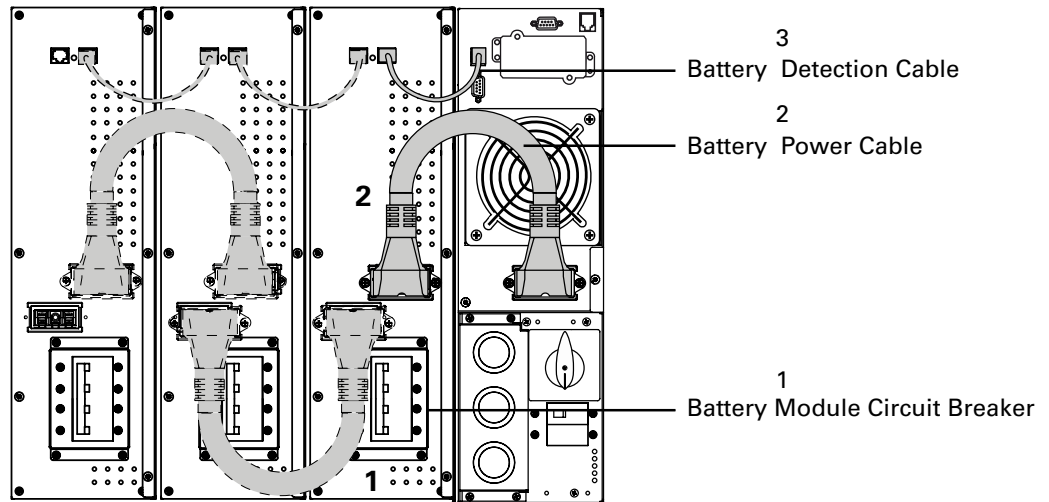


1. Attach both front mounting ear brackets to module with supplied screws (For this step, it is possible to adjust the position of both front mounting brackets).
2. Attach rear support brackets to module. These brackets prevent the module from sliding out of the rack.
3. Attach rails together, secure with wing nuts, and finger tighten (both sides).
4. Attach both rails to rear and front of rack with supplied flathead screws (as shown).
5. Use caution when sliding unit into rack. Temporarily secure unit to rack with thumb screws on front mounting brackets.
6. Secure rear support brackets to rails.



STEP 4 System Connections

A. System Connections with Battery Modules



1. Check that the battery circuit breaker is in the OFF ("0") position.
2. & 3. Connect the battery power cable and battery detection cable as shown.

See EX RT 5/7/11 System Installation and User Manual for initial start-up procedures.

