



ИБП Eaton / MGE Evolution S - Eaton Evolution S - S 1250 RT 2U, S 1750 RT 2U, 2000 RT 2U, S 2500 RT

Постоянная ссылка на страницу: <https://eaton-power.ru/catalog/eaton-mge-evolution-s/>

Evolution

S 1250 RT 2U

S 1750 RT 2U

2000 RT 2U

S 2500 RT 2U

S 3000 RT 2U

S 3000 RT 3U

S EXB 1250/1750 RT 2U

S EXB 2500/3000 RT 2U

S EXB 2500/3000 RT 3U

Installation and user manual

English

Français

Deutsch

Italiano

Español

Nederlands

Русский



Pulsar Series

EATON

Powering Business Worldwide

Evolution

S 1250 RT 2U

S 1750 RT 2U

2000 RT 2U

S 2500 RT 2U

S 3000 RT 2U

S 3000 RT 3U

S EXB 1250/1750 RT 2U

S EXB 2500/3000 RT 2U

S EXB 2500/3000 RT 3U

Installation and user
manual



Pulsar Series

EAT•N

Powering Business Worldwide

Thank you for selecting an EATON product to protect your electrical equipment.

The **Evolution** range has been designed with the utmost care.

We recommend that you take the time to read this manual to take full advantage of the many features of your **UPS (Uninterruptible Power System)**.

Before installing **Evolution**, please read the booklet presenting the safety instructions. Then follow the indications in this manual.

To discover the entire range of EATON products and the options available for the **Evolution** range, we invite you to visit our web site at www.eaton.com or contact your EATON representative.

Environmental protection

EATON has implemented an environmental-protection policy.

Products are developed according to an eco-design approach.

Substances


This product does not contain CFCs, HCFCs or asbestos.

Packing

To improve waste treatment and facilitate recycling, separate the various packing components.

- ▶ The cardboard we use comprises over 50% of recycled cardboard.
- ▶ Sacks and bags are made of polyethylene.
- ▶ Packing materials are recyclable and bear the appropriate identification symbol



Material	Abbreviation	Number in the symbol	
Polyethylene terephthalate	PET	01	
High-density polyethylene	HDPE	02	
Polyvinyl chloride	PVC	03	
Low-density polyethylene	LDPE	04	
Polypropylene	PP	05	
Polystyrene	PS	06	

Follow all local regulations for the disposal of packing materials.

End of life

EATON will process products at the end of their service life in compliance with local regulations.

EATON works with companies in charge of collecting and eliminating our products at the end of their service life.

Product

The product is made up of recyclable materials.

Dismantling and destruction must take place in compliance with all local regulations concerning waste.

At the end of its service life, the product must be transported to a processing centre for electrical and electronic waste.

Battery

The product contains lead-acid batteries that must be processed according to applicable local regulations concerning batteries.

The battery may be removed to comply with regulations and in view of correct disposal.

Introduction

Pictograms



Important instructions that must always be followed.



Information, advice, help.



Visual indication.



Action.



Audio signal.

In the illustrations on the following pages, the symbols below are used:



LED off



LED on



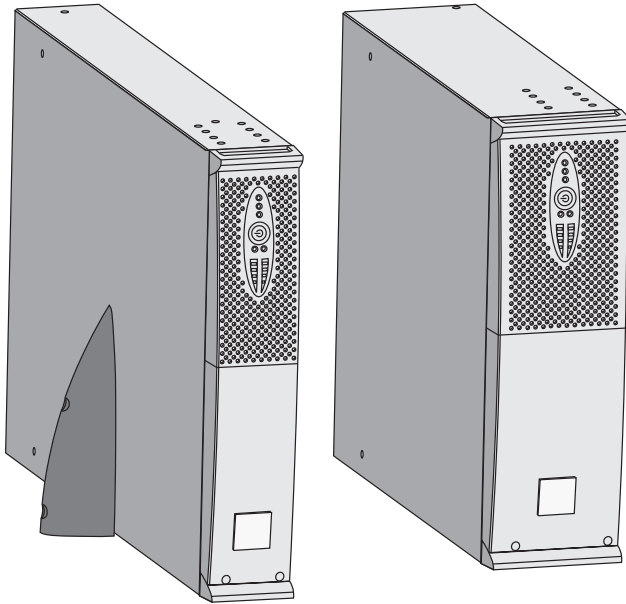
LED flashing

1. Presentation	
1.1 Standard positions	6
Tower position	6
Rack position	6
1.2 Rear panels	7
Evolution 2500 / 3000	7
Evolution 1250 / 1750 / 2000	7
Evolution EXB (optional battery module)	7
1.3 Control panel	7
2. Installation	
2.1 Unpacking and contents check	8
2.2 Installation in tower position	9
2.3 Installation in rack position	9
2.4 Communication ports	10
Connection of RS232 or USB communication port (optional)	10
Installation of the communication cards (optional)	10
Characteristics of the contact communication port (optional)	10
2.5 Connections with a FlexPDU (Power Distribution Unit) module	11
2.6 Connections with a HotSwap MBP module	11
HotSwap MBP module operation	12
2.7 UPS connection without a FlexPDU or HotSwap MBP module	12
3. Operation	
3.1 Start-up and normal operation	13
3.2 Operation on battery power	13
3.3 Return of AC input power	14
3.4 UPS shutdown	14
3.5 UPS remote-control functions	14
4. Personalisation using external software	16
5. Maintenance	
5.1 Troubleshooting	17
Troubleshooting a UPS equipped with the HotSwap MBP module	17
5.2 Battery-module replacement	18
Safety recommendations	18
Battery-module removal	18
Mounting the new battery module	19
5.3 Maintenance on a UPS equipped with the HotSwap MBP module	19
5.4 Training centre	19
6. Appendices	
6.1 Technical specifications	20
6.2 Glossary	21

1. Presentation

1.1 Standard positions

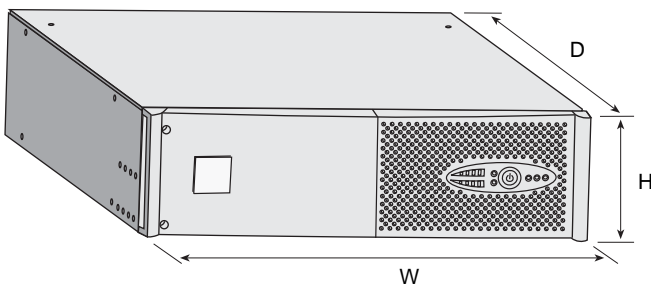
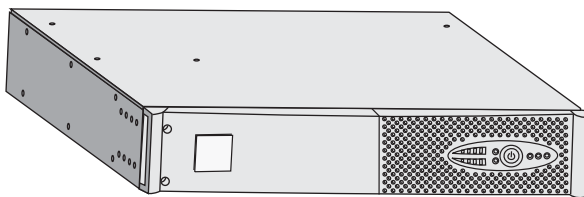
Tower position



Dimensions (W x H x D) in mm	
S 1250 RT 2U S 1750 RT 2U 2000 RT 2U	440 x 86 x 509
S 2500 RT 2U S 3000 RT 2U	440 x 86 x 634
S 3000 RT 3U	440 x 131 x 484
S EXB 1250/1750 RT 2U	440 x 86 x 509
S EXB 2500/3000 RT 2U	440 x 86 x 634
S EXB 2500/3000 RT 3U	440 x 131 x 484

Weights in kg	
S 1250 RT 2U	24.3
S 1750 RT 2U	26.6
2000 RT 2U	25.7
S 2500 RT 2U	33.8
S 3000 RT 2U	33.8
S 3000 RT 3U	34.3
S EXB 1250/1750 RT 2U	30.4
S EXB 2500/3000 RT 2U	41.5
S EXB 2500/3000 RT 3U	41.7

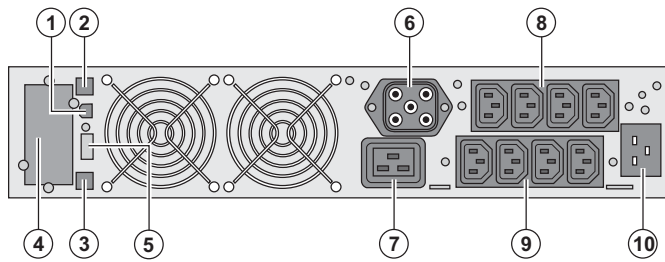
Rack position



1. Presentation

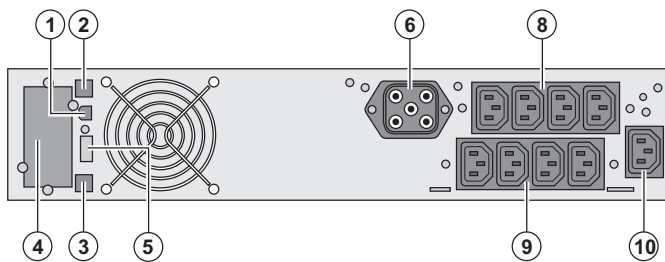
1.2 Rear panels

Evolution S 2500 / S 3000

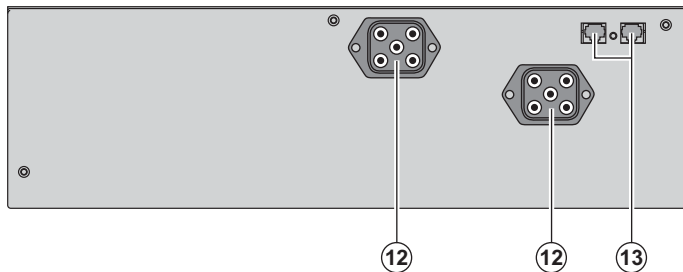


- (1) USB communication port
- (2) RS232 communication port
- (3) Connector for automatic recognition of an additional battery module
- (4) Slot for optional communication card
- (5) Connector for ROO (remote ON/OFF) or RPO (Remote Power Off) control
- (6) Connector for additional battery module (except **Evolution 2000**)
- (7) 16 A outlet for connection of equipment
- (8) Two groups of 2 programmable outlets for connection of equipment
- (9) Groups of 4 outlets for connection of equipment
- (10) Socket for connection to AC-power source

Evolution S 1250 / S 1750 / 2000

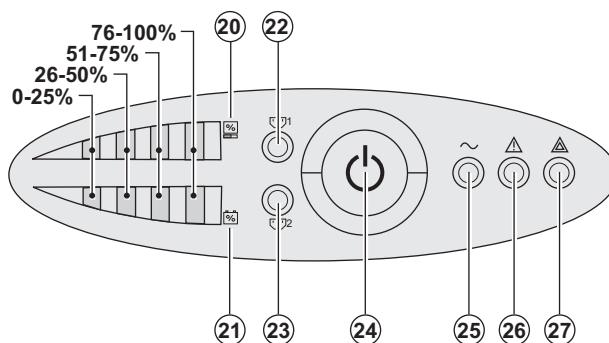


Evolution S EXB (optional battery module)



- (12) Connectors for battery modules (to the UPS or to the other battery modules)
- (13) Connectors for automatic recognition of battery modules

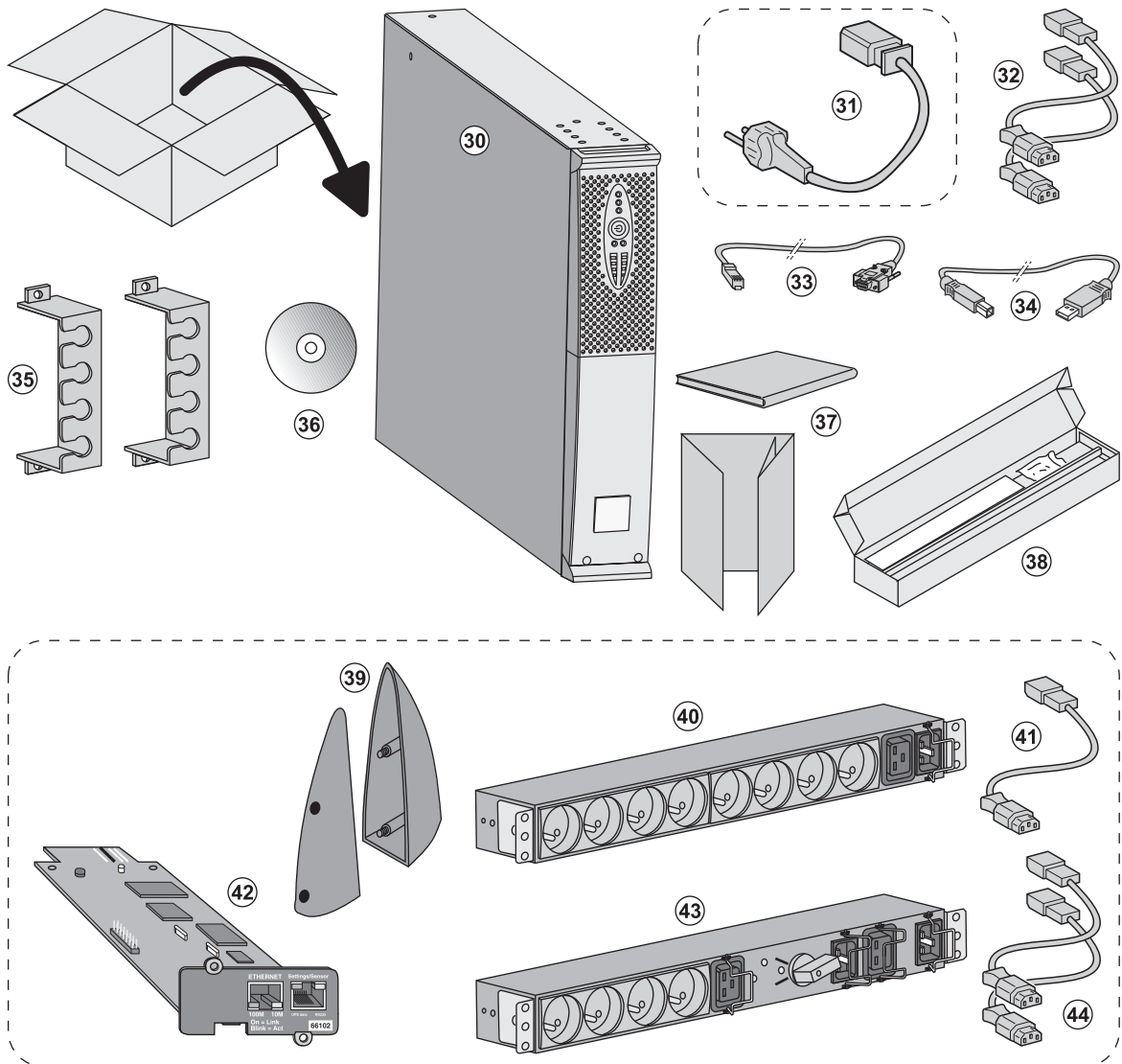
1.3 Control panel



- (20) Bargraph indicating the percent load
- (21) Bargraph indicating battery charge level
- (22) Programmable outlets 1 are supplied with power
- (23) Programmable outlets 2 are supplied with power
- (24) Lighted ON/OFF button for outlets
- (25) Load protected LED
- (26) Downgraded operation LED
- (27) Load not protected LED

2. Installation

2.1 Unpacking and contents check



(30) Evolution UPS

(31) connection cable to AC-power source (**Evolution S 2500** and **S 3000** models only)

(32) 2 connection cables for the protected equipment

(33) RS232 communication cable

(34) USB communication cable

(35) 2 systems to secure power plugs

(36) **Solution-Pac** CD-ROM

(37) Documentation

(38) Mounting kit for 19-inch bays

Elements supplied depending on the version or optional

(39) 2 supports for the upright position (RT 2U version only)

(40) **FlexPDU** module (optional)

(41) connection cable between **FlexPDU** module and UPS

(42) **NMC** communication card (optional, standard on Netpack versions)

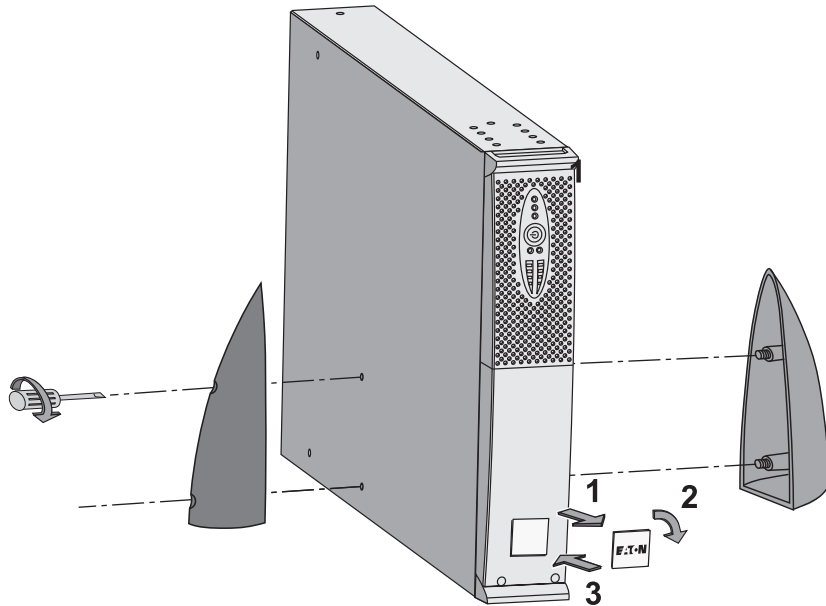
(43) **HotSwap MBP** module (optional)

(44) connection cables between **HotSwap MBP** module and UPS



Packing materials must be disposed of in compliance with all local regulations concerning waste. Recycling symbols are printed on the packing materials to facilitate sorting.

2.2 Installation in tower position



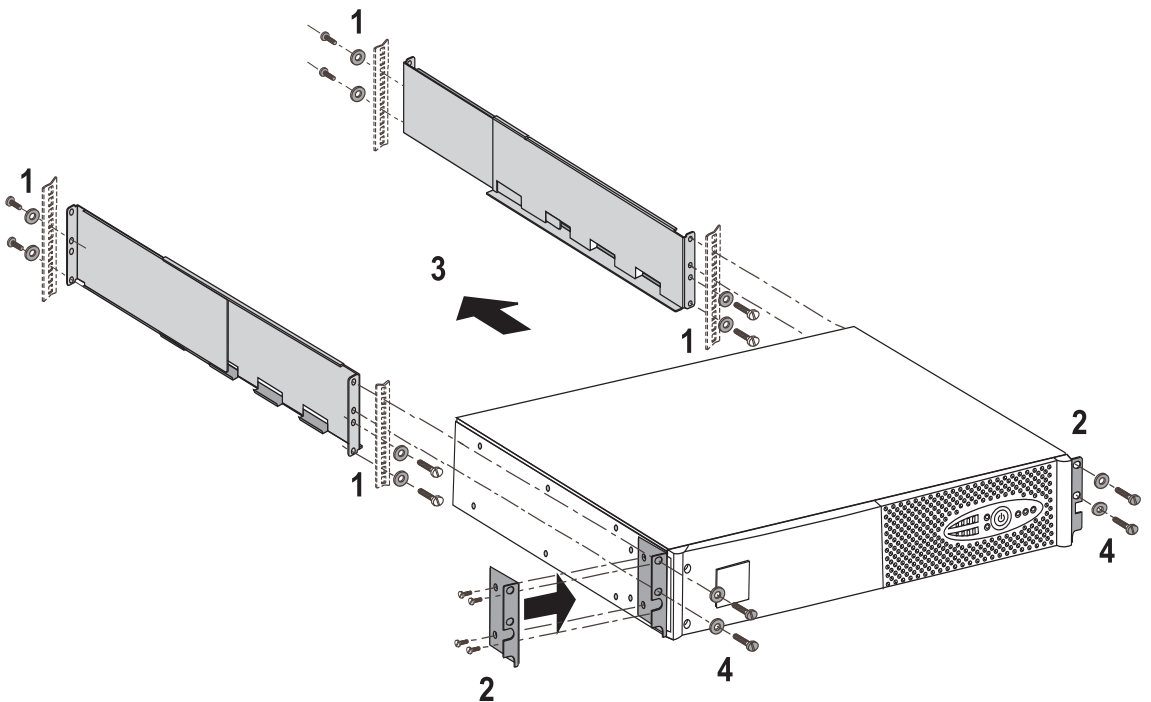
Note. The two supports for the upright position are used on the RT 2U version only.

2.3 Installation in rack position

It is advised to first install the battery module, then the power module above.



Follow steps 1 to 4 for module mounting on the rails.



The rails and necessary hardware are supplied by EATON.

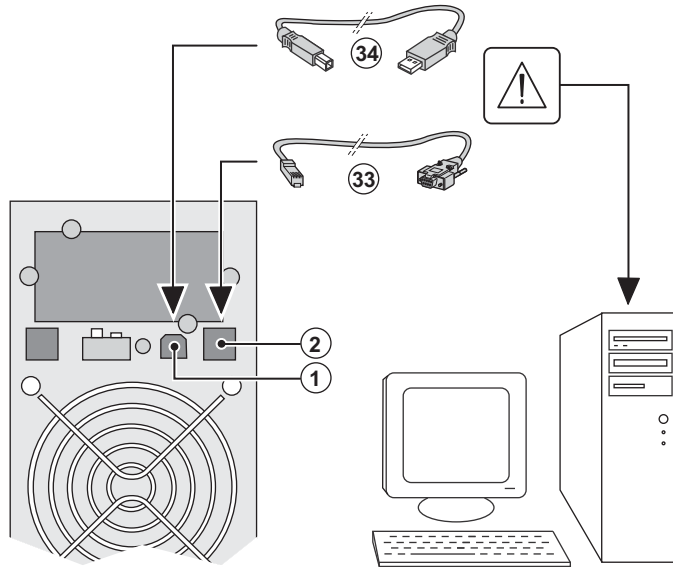
2. Installation

2.4 Communication ports

Connection of RS232 or USB communication port (optional)



The RS232 and USB communication ports cannot operate simultaneously.

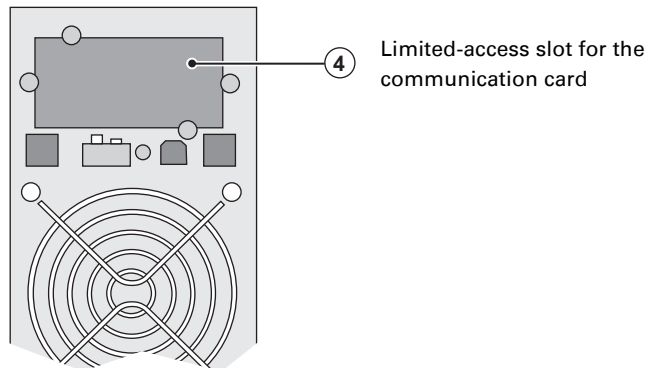


1 - Connect the RS232 (33) or USB (34) communication cable to the serial or USB port on the computer equipment.

2 - Connect the other end of the communication cable (33) or (34) to the USB (1) or RS232 (2) communication port on the UPS.

The UPS can now communicate with EATON power management software.

Installation of the communication cards (optional, standard on the Netpack versions)



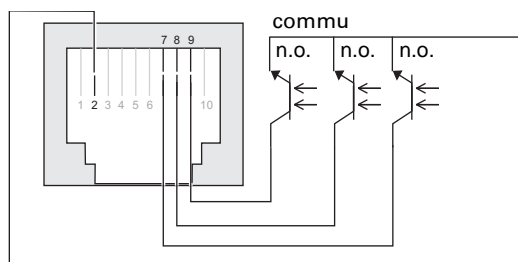
It is not necessary to shutdown the UPS before installing a communication card.

1 - Remove the slot cover (4) secured by screws.

2 - Insert the communication card in the slot.

3 - Secure the card cover with the 2 screws.

Characteristics of the contact communication port (optional)



- ▶ Pins 1, 3, 4, 5, 6, 10: not used
- ▶ Pin 2: common (user)
- ▶ Pin 7: low battery
- ▶ Pin 8: operation on battery power
- ▶ Pin 9: UPS ON, equipment supplied

n.o.: normally open contact

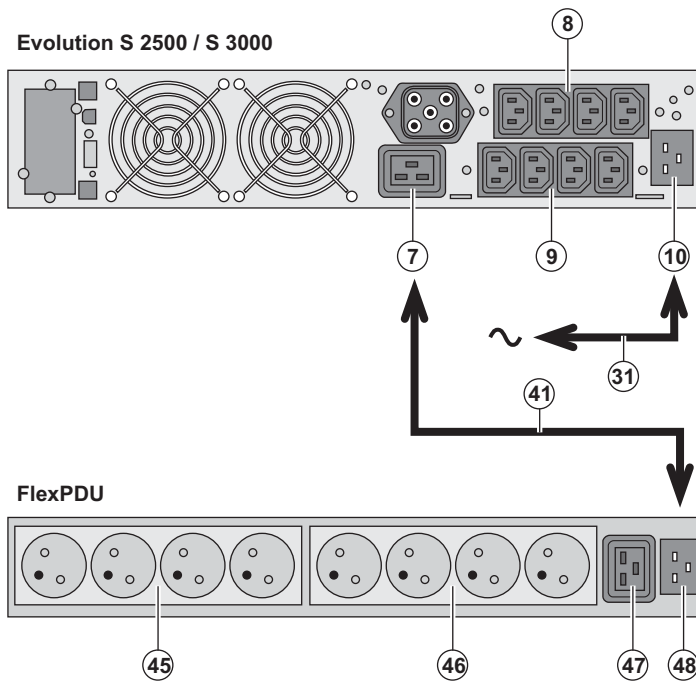
When a signal is activated, the contact is closed between the common (pin 4) and the pin for the corresponding signal.

Contact characteristics (optocoupler)

- ▶ Voltage: 48 V DC max
- ▶ Current: 25 mA max
- ▶ Power: 1.2 W

2. Installation

2.5 Connection with a FlexPDU (Power Distribution Unit) module (optional)



1 - **Evolution S 2500 / S 3000**: connect the UPS input socket (10) to the AC-power source using the cable (31) supplied.

Evolution S 1250 / S 1750 / 2000: use the power cable of the protected equipment.

2 - **Evolution S 2500 / S 3000**: connect the input socket on the **FlexPDU module** (48) to the UPS outlet (7) using the cable (41) supplied.

Evolution S 1250 / S 1750 / 2000: connect the input socket on the **FlexPDU module** (48) to one of the outlets (9).

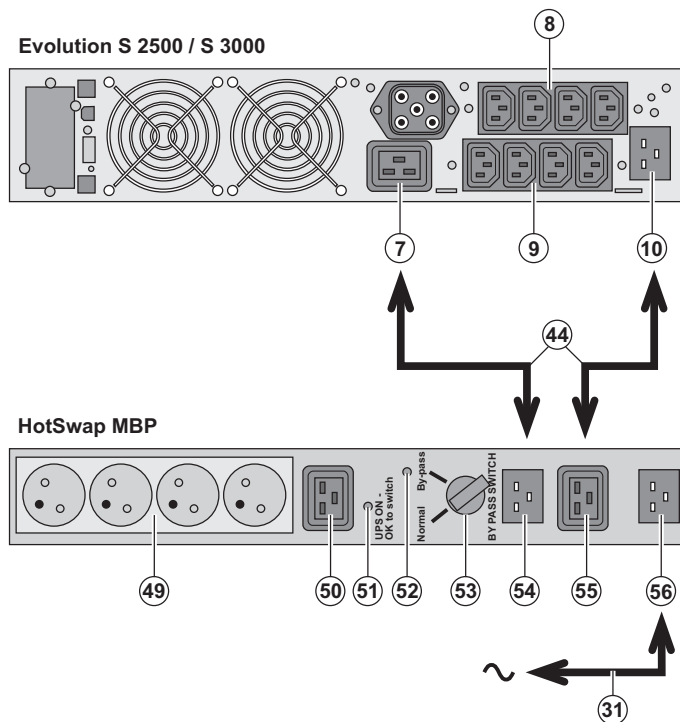
The cable and the connectors are marked in red.

3 - Connect the equipment to the outlets (45), (46) and (47) on the **FlexPDU module**. These outlets differ, depending on the version of the **FlexPDU module**.

4 - Fit the connection securing system that prevents the plugs from being pulled out accidentally.

2.6 Connection with a HotSwap MBP module (optional)

The **HotSwap MBP** module makes it possible to service or even replace the UPS without affecting the connected loads (**HotSwap** function).



1 - Connect the input socket (56) on the **HotSwap MBP** module to the AC-power source using the cable (31) supplied.

2 - Connect the UPS input socket (10) to the "UPS Input" (55) on the **HotSwap MBP** module, using the cable (44) supplied.

These cables and the connectors are marked blue.

3 - **Evolution S 2500 / S 3000**: connect the UPS outlet (7) to the "UPS Output" (54) on the **HotSwap MBP** module, using the cable (44) supplied.

Evolution S 1250 / S 1750 / 2000: connect one of the UPS outlets (9) to the "UPS Output" (54) on the **HotSwap MBP** module.

These cables and the connectors are marked in red.

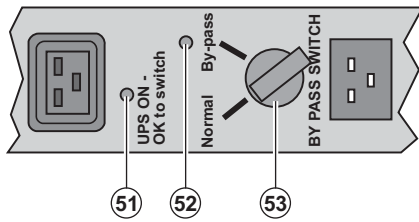
4 - Connect the equipment to the outlets (49) and (50) on the **HotSwap MBP** module. These outlets differ, depending on the version of the **HotSwap MBP** module.

Caution. Do not use UPS outlets (8) and (9) to supply equipment because use of switch (53) on the HotSwap MBP module would cut supply to the equipment.



2. Installation

HotSwap MBP module operation



The **HotSwap MBP** module has a rotary switch (53) with two positions:
Normal - the load is supplied by the UPS,
Bypass - the load is supplied directly by the AC-power source.

UPS start-up with the HotSwap MBP module

- 1 - Check that the UPS is correctly connected to the **HotSwap MBP** module.
 - 2 - Set switch (53) to Normal position.
 - 3 - Start the UPS by pressing the ON/OFF button (24) on the UPS control panel.
- The load is supplied by the UPS.
LED (51) "UPS ON - OK to switch" on the **HotSwap MBP** module goes ON.

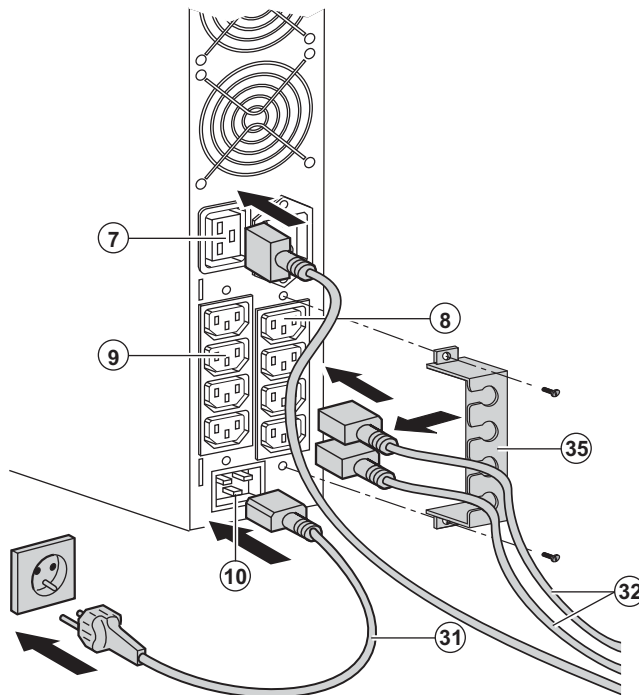
HotSwap MBP module test

- 1 - Set switch (53) to Bypass position and check that the load is still supplied.
- 2 - Set switch (53) back to Normal position.

2.7 UPS connection without a FlexPDU or HotSwap MBP module



Check that the indications on the name plate located on the back of the UPS correspond to the AC-power source and the true electrical consumption of the total load.



- 1 - **Evolution S 1250 / S 1750 / 2000:** connect the UPS input socket (10) to the AC-power source using the cable of the protected equipment.
- Evolution S 2500 / S 3000:** connect the supplied cable (31) (250 V - 16 A) to the socket (10), then to the AC-power source.
- 2 - Connect the loads to the UPS using the cables (32).

It is preferable to connect the priority loads to the four outlets marked (9) and the non-priority loads to the four outlets marked (8) that can be programmed in pairs (1 and 2). For the **Evolution S 2500 / S 3000** models, connect any high-power devices to the 16 A outlet (7).

To program shutdown of outlets (8) during operation on battery power and thus optimise the available backup time, the EATON communication software is required.

- 3 - Fit the connection securing system (35) that prevents the plugs from being pulled out accidentally.

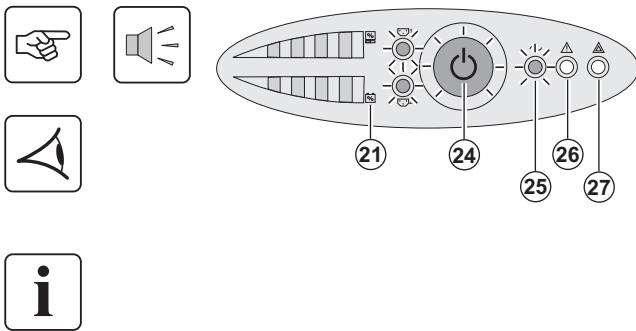


Note. The UPS charges the battery as soon as it is connected to the AC-power source, even if button (24) is not pressed.

Once the UPS is connected to the AC-power source, eight hours of charging are required before the battery can supply the rated backup time.



3.1 Start-up and normal operation



Press button (24) for approximately 1 second.

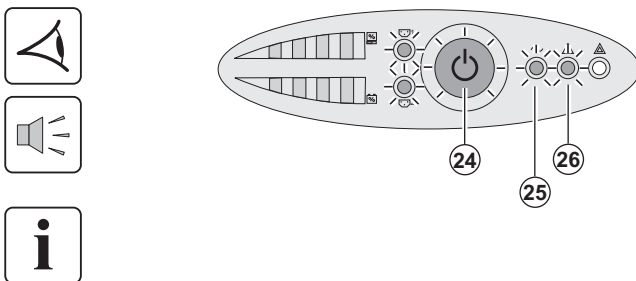
- ▶ The buzzer beeps once and all the LEDs go ON simultaneously.
- ▶ If AC input power is available, button (24) and LED (25) are ON. The load is supplied by the AC-power source. Conditions permitting, the UPS runs a battery test, indicated by LEDs (21) and the buzzer.
- ▶ If AC input power is not available, button (24) and LEDs (25) and (26) are ON. The load is supplied by the UPS on battery power.

The connected devices are protected by the UPS.

If LED (27) is ON, a fault has occurred (see the "Troubleshooting" section).

3.2 Operation on battery power

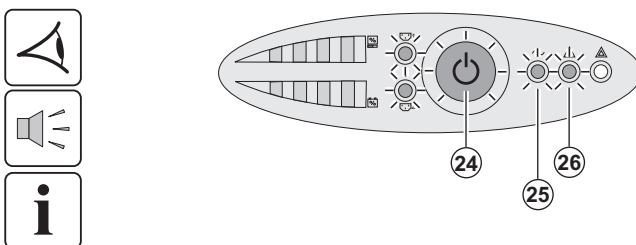
Transfer to battery power



- ▶ The connected devices continue to be supplied by the UPS when AC input power is no longer available. The necessary energy is provided by the battery.
- ▶ Button (24) and LEDs (25) and (26) are ON.
- ▶ The audio alarm beeps every ten seconds.

The connected devices are supplied by the battery.

Low-battery warning



- ▶ Button (24) and LEDs (25) and (26) are ON.
- ▶ The audio alarm beeps every three seconds.

The remaining battery power is low.

Shut down all applications on the connected equipment because automatic UPS shutdown is imminent.

3. Operation

End of battery backup time



- ▶ All the LEDs go OFF.
- ▶ The audio alarms stops.

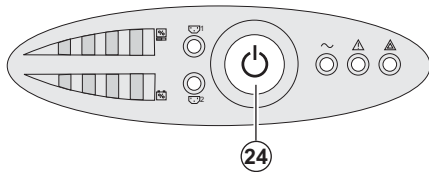


The UPS is completely shut down.

3.3 Return of AC input power

Following an outage, the UPS restarts automatically when AC input power returns (unless the restart function has been disabled via UPS personalisation) and the load is again supplied.

3.4 UPS shutdown



Press button (24) for approximately 2 seconds.

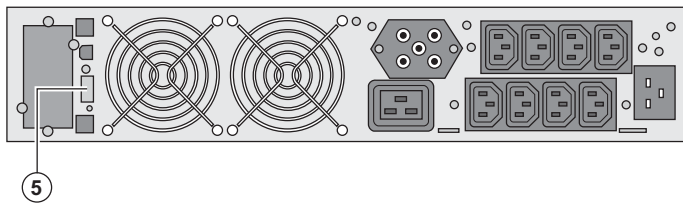
The devices connected to the UPS are no longer supplied.

3.5 UPS remote control functions

Evolution offers a choice between two remote control functions.

- ▶ **RPO: Remote Power Off** allow a remote contact to be used to disconnect all the equipment connected to the UPS. Restarting the UPS requires manual intervention.
- ▶ **ROO: Remote ON/OFF** allows remote action of button (24) to shut down the UPS.

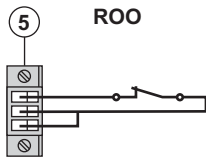
These functions are obtained by opening a contact connected between the appropriate pins of connector (5) on the rear panel of the UPS (see figures below).



Remote control connection and test



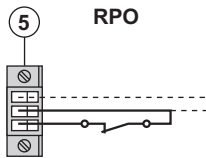
- 1 - Check that the UPS is OFF and disconnected from the AC input source.
- 2 - Remove connector (5) after unscrewing the screws.
- 3 - Connect a normally closed volt-free contact (60 V DC / 30 V AC max., 20 mA max., 0.75 mm² cable cross-section) between the two pins of connector (5) (see diagram).



Contact open: UPS shutdown

Contact closed: UPS start-up (UPS connected to AC power and AC power is available)

Note. The local ON/OFF control using button (24) overrides the remote-control function.



Contact open: UPS shutdown, LED (26) goes ON.

To return to normal operation, deactivate the remote external contact and restart the UPS by pressing button (24).

4 - Plug connector (5) into the back of the UPS.

5 - Connect and restart the UPS following the previously described procedures.

6 - Activate the external remote shutdown contact to test the function.



Warning. This connector must only be connected to SELV (Safety Extra-Low Voltage) circuits.

4. Personalisation using external software



- ▶ Insert the **Solution-Pac** CD-ROM in the drive.
- ▶ On the first navigation screen, select "Point to Point solution" and follow the instructions on how to install the **Personal Solution-Pac** software.
- ▶ Then select "Settings", "Advanced settings" and "UPS settings".

Note that the Linux/Unix/macOS versions of **Personal Solution-Pac** software do not offer this possibility.

It is possible to modify the settings listed below (detailed comments are available in the **Personal Solution-Pac** software).

Main-output personalisation

Function	Factory setting	Other available settings
Output voltage on battery power	230 Volts AC	200/208/220/240 Volts AC
Overload alarm threshold	105%	30/50/70%

Voltage-threshold personalisation

Function	Factory setting	Other available settings
High threshold for transfer to battery	294 Volts AC	271 to 294 Volts AC
Low threshold for transfer to battery	160 Volts AC	160 to 180 Volts AC
Fader activation threshold	265 Volts AC	244 to 265 Volts AC
Booster activation threshold	184 Volts AC	184 to 207 Volts AC
Maximum input-voltage range	Disabled	Enabled ⁽¹⁾

(1) Low threshold for transfer to battery is 150 V.

UPS-sensitivity personalisation

Function	Factory setting	Other available settings
UPS-sensitivity level	Normal	High or low

UPS ON/OFF personalisation

Function	Factory setting	Other available settings
Automatic start	Enabled	Disabled
Cold start	Enabled	Disabled
Forced shutdown	Enabled	Disabled
Energy-savings mode	Disabled	Enabled
UPS ON/OFF controlled by software	Enabled	Disabled
Battery level before restart	0%	0 to 100%

Battery personalisation

Function	Factory setting	Other available settings
Battery-test intervals	Weekly	No test / daily test / monthly test
Low-battery warning	20%	0 to 100%
Battery protection against deep discharge	Enabled	Disabled
Audio alarm	Enabled	Disabled
Additional battery module (Evolution S models only)	Automatic detection of number of battery modules	For specific batteries, from 25 to 81 Ah

5.1 Troubleshooting

	Indication	Diagnostic	Correction
1	When the UPS is started using button (24), all the LEDs go ON once and the buzzer beeps once, then LED (26) remains ON.	The remote power off (RPO) contact has been activated to shut down the UPS and now prevents restart.	Set the contact back to its normal position and press button (24) to restart.
2	Button (24) and LEDs (25) and (26) are ON and all the LEDs on bargraph (20) flash.	The percent load is greater than the set overload level or UPS capacity.	Check the power drawn by the connected devices and disconnect any non-priority devices. Check the overload level setting.
3	Button (24) and LED (27) are ON and all the LEDs on bargraph (20) are flashing.	A critical overload has occurred on the UPS output. If AC input power fails, the load will not be supplied in battery mode.	Check the power drawn by the connected devices and disconnect any non-priority devices.
4	LED (27) is ON and all the LEDs on bargraph (21) are flashing.	A battery fault has been detected during the automatic test.	Replace the battery module (see section 5.2, Battery-module replacement).
5	LED (27) alone is ON and the buzzer sounds continuously.	A UPS internal fault has occurred and the load is not supplied.	Call the after-sales support department.

Troubleshooting a UPS equipped with the HotSwap MBP module



	Indication	Diagnostic	Correction
6	The load is no longer supplied when the rotary switch (49) on the HotSwap MBP module is set to Bypass position.	<ul style="list-style-type: none"> ▶ The protected devices are connected to the UPS output instead of to the HotSwap MBP module. ▶ The AC-power cord is connected to the UPS input instead of to the HotSwap MBP module. 	Check the wiring between the UPS and the HotSwap MBP module (see section 2.6).
7	The load is no longer supplied when the rotary switch (49) on the HotSwap MBP module is set to Normal position.	<ul style="list-style-type: none"> ▶ The UPS is shut down. ▶ The wiring between the UPS and the HotSwap MBP module is incorrect. 	<ul style="list-style-type: none"> ▶ Start the UPS. ▶ Check the wiring between the UPS and the HotSwap MBP module (see section 2.6).
8	The load is no longer supplied after AC-power fails.	<ul style="list-style-type: none"> ▶ The rotary switch (49) on the HotSwap MBP module is set to Bypass position. ▶ The wiring between the UPS and the HotSwap MBP module is incorrect. 	<ul style="list-style-type: none"> ▶ Set the rotary switch (49) on the HotSwap MBP module to Normal position. ▶ Check the wiring between the UPS and the HotSwap MBP module (see section 2.6).

If a fault leads to UPS shutdown, press the ON/OFF button (24) to clear the fault.

5. Maintenance

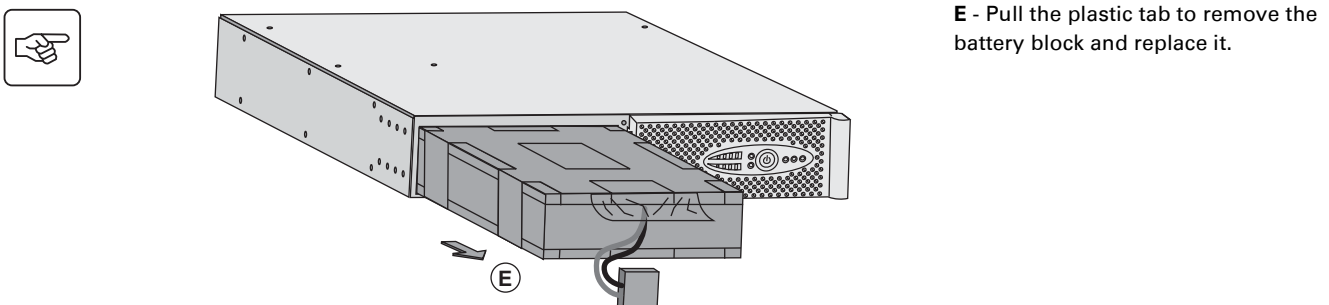
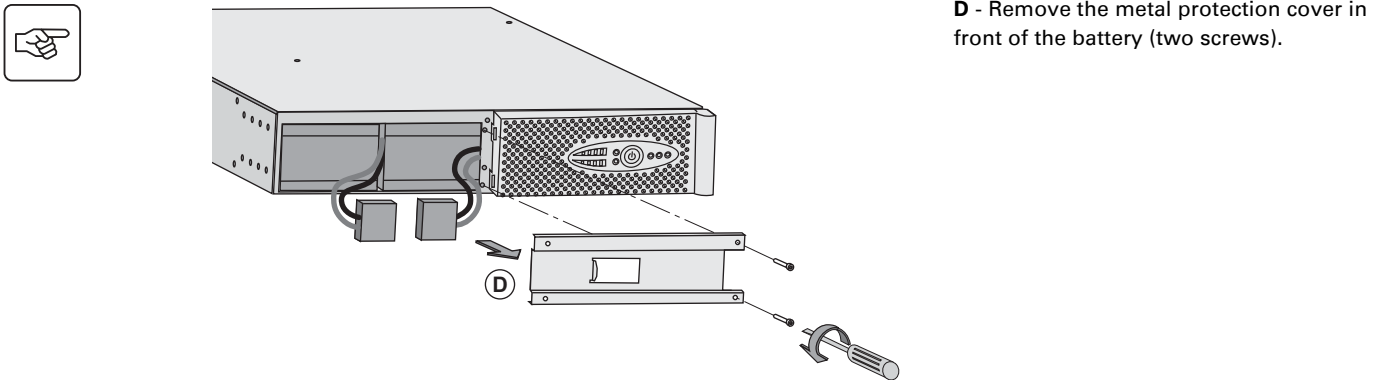
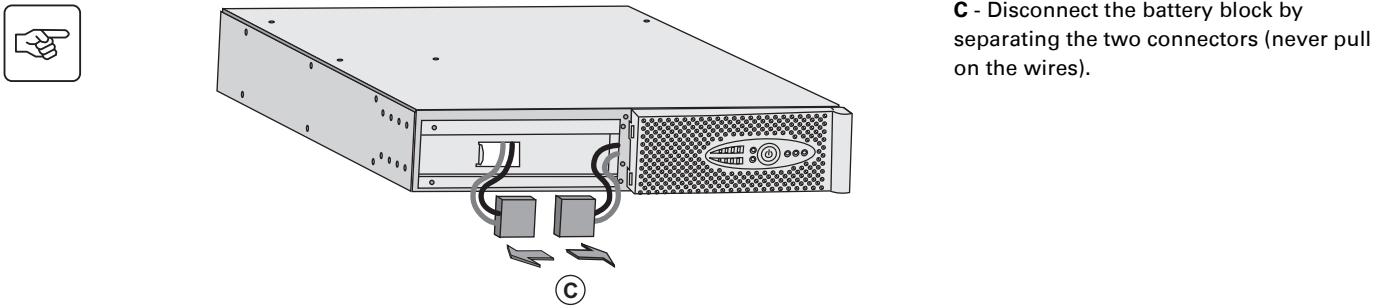
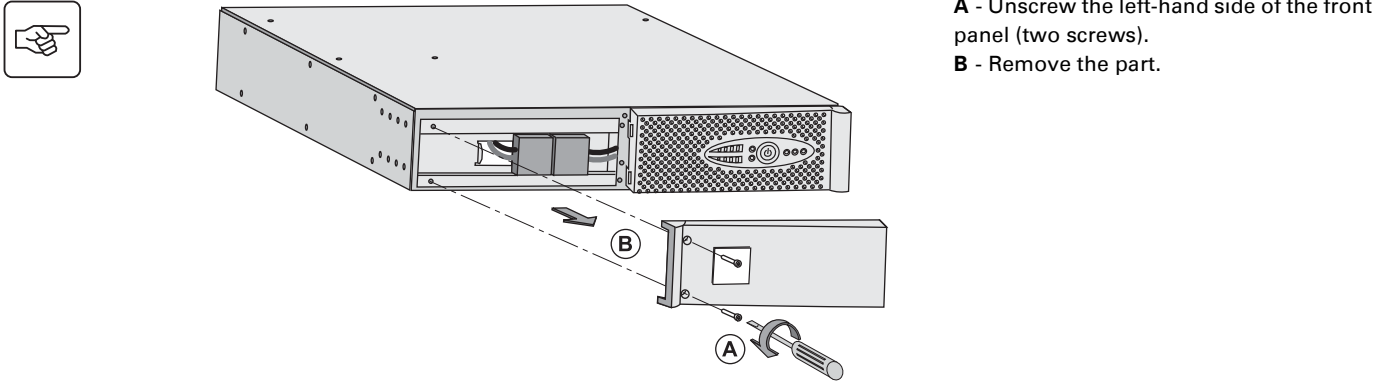
5.2 Battery-module replacement

Safety recommendations

The battery can cause electrocution and high short-circuit currents. The following safety precautions are required before servicing the battery components:

- › Remove watches, rings, bracelets and all other metal objects from the hands and arms,
- › Use tools with an insulated handle.

Battery-module removal



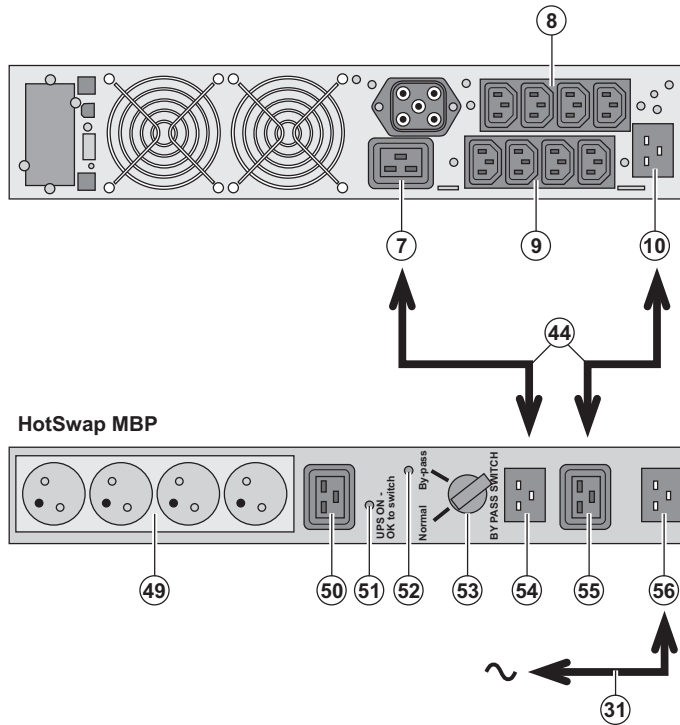
Mounting the new battery module

Carry out the above instructions in reverse order.



- ▶ To ensure safety and high performance, use only batteries supplied by EATON.
- ▶ Take care to firmly press together the two parts of the connector during remounting.

5.3 Maintenance on a UPS equipped with the HotSwap MBP module



The **HotSwap MBP** module makes it possible to service or even replace the UPS without affecting the connected loads (**HotSwap** function).

Maintenance

1 - Set switch **(53)** to Bypass position. The red LED on the **HotSwap MBP** module goes ON, indicating that the load is supplied directly with AC input source power.

2 - Stop the UPS by pressing the ON/OFF button **(24)** on the UPS control panel. LED **(51)** "UPS ON - OK to switch" goes OFF, the UPS can now be disconnected and replaced.

Return to normal operation

1 - Check that the UPS is correctly connected to the **HotSwap MBP** module.

2 - Start the UPS by pressing the ON/OFF button **(24)** on the UPS control panel. LED **(51)** "UPS ON - OK to switch" on the **HotSwap MBP** module goes ON (otherwise, there is a connection error between the **HotSwap MBP** module and the UPS).

3 - Set switch **(53)** to Normal position. The red LED on the **HotSwap MBP** module goes OFF.

5.4 Training centre

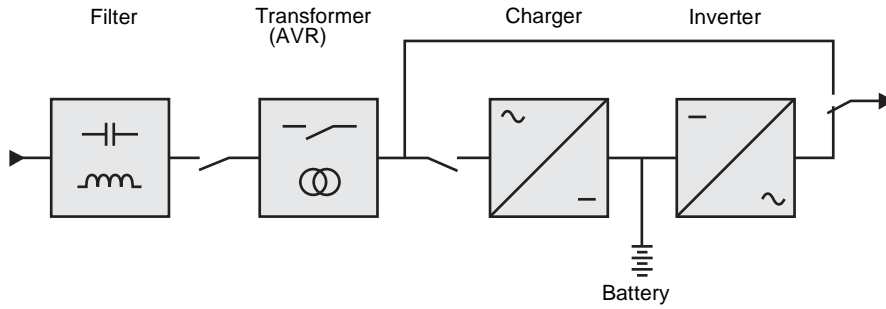


To fully master operation of your EATON product and carry out level 1 servicing, see our complete range of technical training courses, available in both French and English.

For further information, please visit our website: www.eaton.com

6. Appendices

6.1 Technical specifications



	Evolution S 1250	Evolution S 1750	Evolution 2000	Evolution S 2500	Evolution S 3000
Output power	1250VA/1150W	1750VA/1600W	2000VA/1600W	2500VA/2250W	3000VA/2700W
AC input power <ul style="list-style-type: none"> ▶ Rated input voltage ▶ Input-voltage range ▶ Input-frequency range 	Single phase 220~240 V 160 V to 294 V ⁽¹⁾ 47 to 70 Hz (50 Hz system), 56.5 to 70 Hz (60 Hz system) ⁽²⁾				
Output on battery power <ul style="list-style-type: none"> ▶ Voltage ▶ Frequency 	230 V (+6/-10%) ⁽³⁾ 50/60 Hz ±0.1%				
Battery (sealed lead acid, maintenance free) <ul style="list-style-type: none"> ▶ Standard ▶ Additional modules possible (up to 4 EXB) 	4 x 12 V 7.2 Ah	4 x 12 V - 9 Ah		6 x 12 V 7.2 Ah	6 x 12 V 9 Ah
	Evolution S EXB 1250/1750 ⁽⁴⁾		No	Evolution EXB S 2500/3000 ⁽⁵⁾	
Environment <ul style="list-style-type: none"> ▶ Operating temperature range ▶ Storage temperature range ▶ Relative humidity ▶ Noise level 	0 to 40°C -25°C to 40°C 20 to 90% (without condensation)				
	< 45 dBA			< 50 dBA	

(1) The high and low thresholds can be adjusted using **Personal Solution-Pac** software.

(2) Up to 40 Hz in low-sensitivity mode (programmable using **Personal Solution-Pac** software).

(3) Adjustable to 200 V (10% derating of output power) / 208 V / 220 V / 230 V / 240 V.

(4) Battery **Evolution S EXB 1250/1750**: 2 strings, each 4 x 12 V / 9 Ah.

(5) Battery **Evolution S EXB 2500/3000**: 2 strings, each 6 x 12 V / 9 Ah.

When the appliance is used in EU area, use an external circuit breaker in front of line with rating 16A, 250V which is IEC/EN 60898-1 standard compliant;

When the appliance is used in America area, use an external circuit breaker in front of line with rating 20A, 250V.

This product is designed for IT power distribution system.

6.2 Glossary

Backup time	Time during which the load can be supplied by the UPS operating on battery power.
Battery test	Internal UPS test to check battery status.
Booster mode	Automatic UPS mode that steps up the AC voltage if it is too low, to a level above the personalised set-point, without discharging the battery.
Bypass AC input	Bypass line from the AC-power source, controlled by the UPS, used to directly supply the load if an overload or a malfunction occurs on the UPS.
Cold start	The devices connected to the UPS can be started even if AC input power is not available. The UPS operates on battery power alone.
Deep discharge	Battery discharge beyond the permissible limit, resulting in irreversible damage to the battery.
Fader mode	Automatic UPS mode that steps down the AC voltage if it is too high, to a level below the personalised set-point, without discharging the battery.
FlexPDU	Module with UPS outlets for installation in a bay. There are different modules with different types of outlets.
HotSwap MBP	UPS manual-bypass module for maintenance. There are different modules with different types of outlets.
Load	Devices or equipment connected to the UPS output.
Low-battery warning	This is a battery-voltage level indicating that battery power is low and that the user must take action in light of the imminent break in the supply of power to the load.
Normal AC input	The AC-power line supplying the UPS under normal conditions.
Percent load	Ratio of the power effectively drawn by the load to the maximum output of the UPS.
Personalisation	It is possible to modify certain UPS parameters set in the factory. Certain UPS functions can also be modified by the Personal Solution-Pac software to better suit user needs.
Programmable outlets	Controllable outlets for automatic load shedding, remote shutdown and sequential restart (personalised using Personal Solution-Pac software).
UPS	Uninterruptible Power System.
UPS ON/OFF controlled by software	This function enables or disables initiation of UPS ON/OFF control sequences by computer power-management software.

Evolution

S 1250 RT 2U

S 1750 RT 2U

2000 RT 2U

S 2500 RT 2U

S 3000 RT 2U

S 3000 RT 3U

S EXB 1250/1750 RT 2U

S EXB 2500/3000 RT 2U

S EXB 2500/3000 RT 3U

Manuel d'installation et
d'utilisation



Pulsar Series

EATON

Powering Business Worldwide

Nous vous remercions d'avoir choisi un produit EATON pour la sécurité de vos applications.

La gamme **Evolution** a été élaborée avec le plus grand soin.

Pour exploiter au mieux les performances de votre **ASI (Alimentation Sans Interruption)**, nous vous conseillons de prendre le temps de lire ce manuel.

Avant l'installation de **Evolution**, lire le livret qui présente les consignes de sécurité à respecter. Suivre ensuite les instructions du présent manuel.

Nous vous invitons à découvrir l'offre de EATON ainsi que les options de la gamme **Evolution** en visitant notre site WEB : www.eaton.com, ou en contactant votre représentant EATON.

Respect de l'environnement


La société EATON s'est engagée dans une politique de protection et de préservation de l'environnement. Nos produits sont développés selon une démarche d'éco-conception.


Substances

Ce produit ne contient ni de CFC, ni de HCFC, ni d'amiante.

Emballage

Pour améliorer le traitement des déchets et faciliter le recyclage, séparez les éléments de l'emballage.

- ▶ Le carton est composé de plus de 50% de carton recyclé.
- ▶ Les sacs et sachets sont en polyéthylène.
- ▶ Les matériaux constituant l'emballage sont recyclables et marqués du symbole d'identification .

Matériaux	Abbréviation	Numéro dans le symbole 
Polyéthylène Téréphthalate	PET	01
Polyéthylène Haute Densité	HDPE	02
Polyvinyle Chloride	PVC	03
Polyéthylène Basse Densité	LDPE	04
Polypropylène	PP	05
Polystyrène	PS	06

Suivre les réglementations locales en vigueur pour l'élimination de l'emballage.

Fin de vie

La société EATON s'est engagée à traiter les produits en fin de vie selon les réglementations locales.

EATON travaille avec des sociétés en charge de la collecte et de l'élimination de nos produits en fin de vie.

Produit

Le produit est composé de matériaux recyclables.

Son démantèlement et sa destruction doivent se faire en accord avec les réglementations locales en vigueur concernant les déchets.

Le produit en fin de vie doit être déposé dans un centre de traitement des déchets électriques et électroniques.

Batterie

Le produit contient des batteries au plomb qui doivent être traitées suivant les réglementations locales en vigueur concernant les batteries.

Pour suivre ces réglementations et éliminer la batterie de manière propre, il est possible de l'extraire du produit.

Introduction

Pictogrammes utilisés



Consignes à suivre impérativement.



Informations, conseils, aide.



Indication visuelle à observer.



Action à réaliser.



Signalisation sonore.

Les conventions adoptées pour représenter les voyants dans les illustrations sont les suivantes :



Voyant éteint.



Voyant allumé.



Voyant clignotant.

1. Présentation	
1.1 Positions standards	6
Position tour	6
Position rack	6
1.2 Facés arrières	7
Evolution 2500 / 3000	7
Evolution 1250 / 1750 / 2000	7
Evolution EXB (module batterie optionnel).....	7
1.3 Panneau d'affichage et de commande	7
2. Installation	
2.1 Déballage et vérification du contenu	8
2.2 Installation en position tour	9
2.3 Installation en position rack	9
2.4 Ports de communication	10
Raccordement du port de communication RS232 ou USB (facultatif)	10
Installation des cartes de communication (option)	10
2.5 Raccordements avec un module FlexPDU (Power Distribution Unit)	11
2.6 Raccordements avec un module HotSwap MBP	11
Fonctionnement du module HotSwap MBP	12
2.7 Raccordements d'une ASI dépourvue de module FlexPDU ou HotSwap MBP	12
3. Utilisation	
3.1 Mise en service et fonctionnement normal	13
3.2 Fonctionnement sur batterie	13
3.3 Retour du réseau électrique	14
3.4 Arrêt de l'ASI	14
3.5 Utilisation des fonctions de commande à distance de l'ASI	14
4. Personnalisation par logiciel externe	16
5. Maintenance	
5.1 Dépannage	17
Dépannage d'une ASI équipée d'un module HotSwap MBP	17
5.2 Remplacement du module batterie	18
Rappel sur les consignes de sécurité	18
Démontage du module batterie	18
Remontage du nouveau module batterie	19
5.3 Maintenance d'une ASI équipée d'un module HotSwap MBP	19
5.4 Centre de formation	19
6. Annexes	
6.1 Spécifications techniques	20
6.2 Glossaire	21

1. Présentation

1.1 Positions standards

Position tour

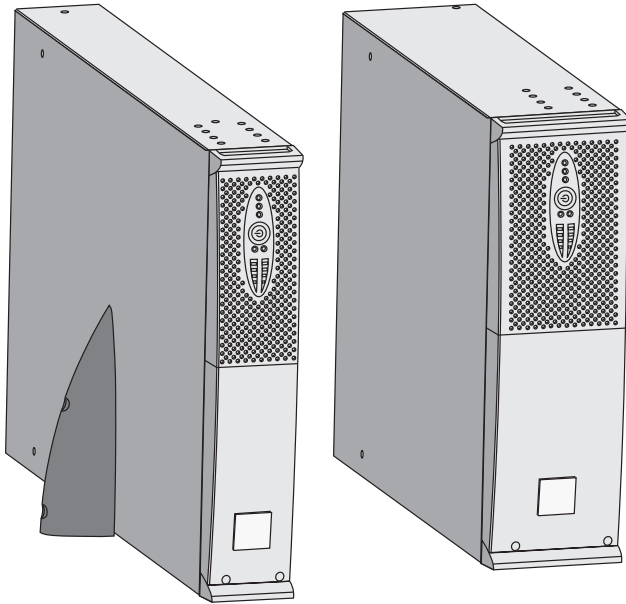
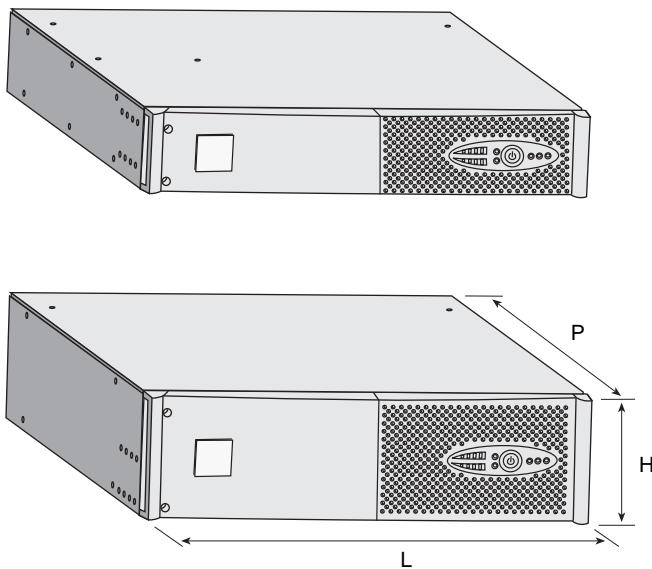


Tableau des dimensions (L x H x P) en mm	
S 1250 RT 2U S 1750 RT 2U 2000 RT 2U	440 x 86 x 509
S 2500 RT 2U S 3000 RT 2U	440 x 86 x 634
S 3000 RT 3U	440 x 131 x 484
S EXB 1250/1750 RT 2U	440 x 86 x 509
S EXB 2500/3000 RT 2U	440 x 86 x 634
S EXB 2500/3000 RT 3U	440 x 131 x 484

Tableau des masses en kg	
S 1250 RT 2U	24,3
S 1750 RT 2U	26,6
2000 RT 2U	25,7
S 2500 RT 2U	33,8
S 3000 RT 2U	33,8
S 3000 RT 3U	34,3
S EXB 1250/1750 RT 2U	30,4
S EXB 2500/3000 RT 2U	41,5
S EXB 2500/3000 RT 3U	41,7

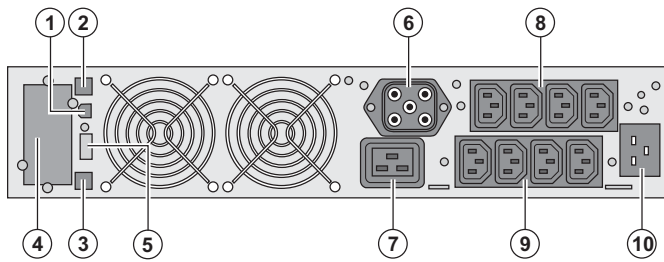
Position rack



1. Présentation

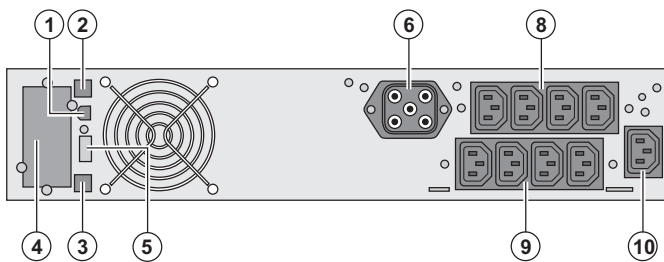
1.2 Faces arrières

Evolution S 2500 / S 3000

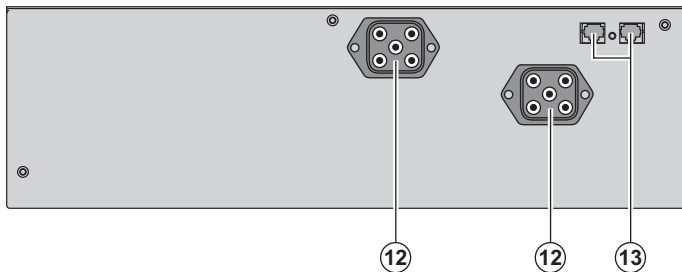


- (1) Port de communication USB
- (2) Port de communication RS232
- (3) Connecteur de reconnaissance automatique d'un module batterie supplémentaire
- (4) Emplacement pour carte de communication optionnelle.
- (5) Connecteur pour le raccordement d'une commande Marche/Arrêt distante ou d'un arrêt d'urgence ROO (Remote ON/OFF).
- (6) Connecteur pour le raccordement d'un module batterie supplémentaire (sauf Evolution 2000)
- (7) Prise 16A pour le raccordement des équipements
- (8) 2 groupes de 2 prises programmables pour le raccordement des équipements
- (9) Groupe de 4 prises pour le raccordement des équipements
- (10) Prise pour le raccordement au réseau électrique d'alimentation

Evolution S 1250 / S 1750 / 2000

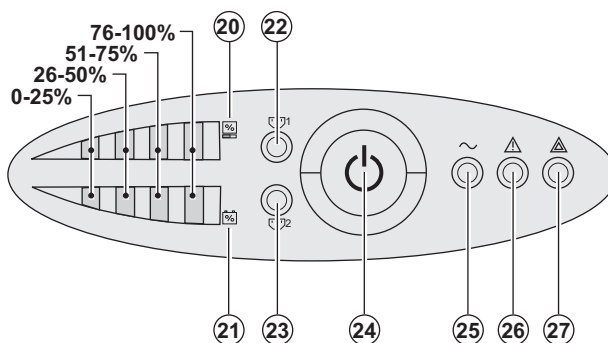


Evolution S EXB (module batterie optionnel)



- (12) Connecteurs pour le raccordement des modules batterie (vers l'ASI ou vers les autres modules batterie)
- (13) Connecteurs de reconnaissance automatique des modules batterie

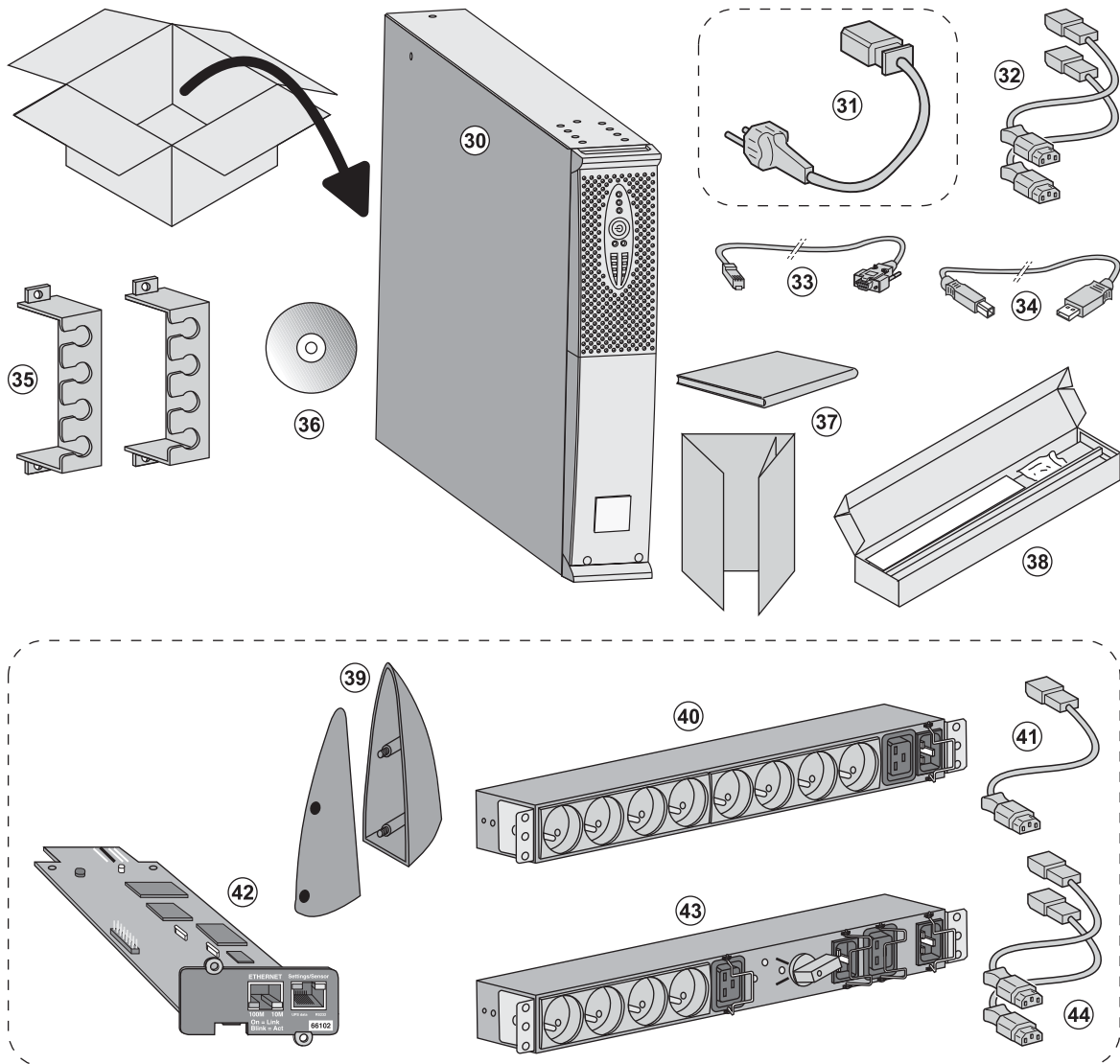
1.3 Panneau d'affichage et de commande



- (20) Barregraphe du niveau de puissance consommé en sortie
- (21) Barregraphe du niveau de charge de la batterie
- (22) Prises programmables 1 alimentées
- (23) Prises programmables 2 alimentées
- (24) Bouton lumineux Marche/Arrêt (ON/OFF) des prises de sortie
- (25) Voyant équipements protégés
- (26) Voyant de fonctionnement dégradé
- (27) Voyant équipements non protégés

2. Installation

2.1 Déballage et vérification du contenu



(30) ASI Evolution.

(31) Cordon de raccordement au réseau électrique (modèles **Evolution S 2500** et **S 3000** uniquement).

(32) 2 cordons pour raccorder les équipements.

(33) Câble de communication RS232.

(34) Câble de communication USB.

(35) 2 systèmes de verrouillage des cordons d'alimentation des équipements.

(36) CD-ROM Solution-Pac.

(37) Documentation.

(38) Kit de montage en armoire 19 pouces.

Éléments fournis selon la version ou en option :

(39) 2 Pieds de maintien en position verticale (version RT 2U seulement).

(40) Module FlexPDU (option).

(41) Cordon de raccordement du module FlexPDU avec l'ASI.

(42) Carte de communication NMC (option, en standard sur les modèles Netpack).

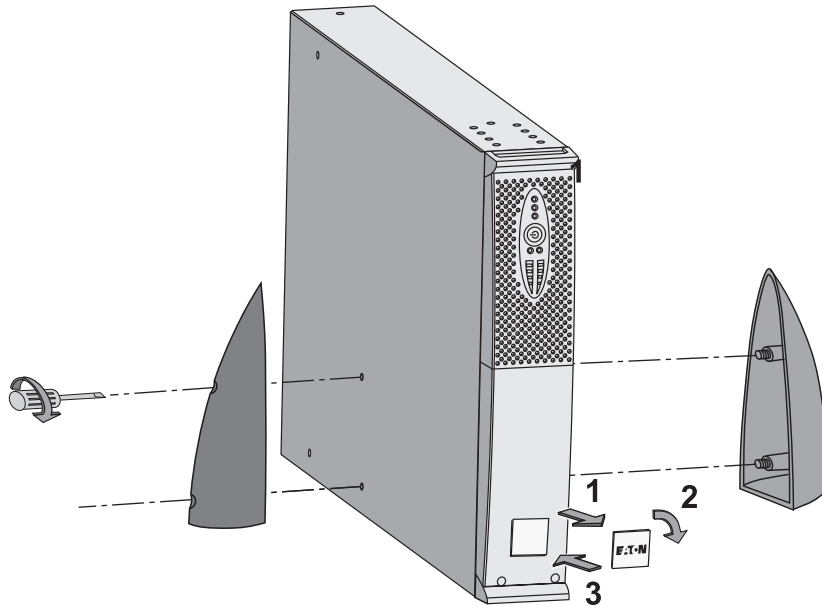
(43) Module HotSwap MBP (option).

(44) Cordons de raccordement du module HotSwap MBP avec l'ASI.



Les emballages doivent être éliminés conformément aux réglementations en vigueur concernant les déchets. Ils portent des symboles de recyclage pour faciliter le tri.

2.2 Installation en position tour



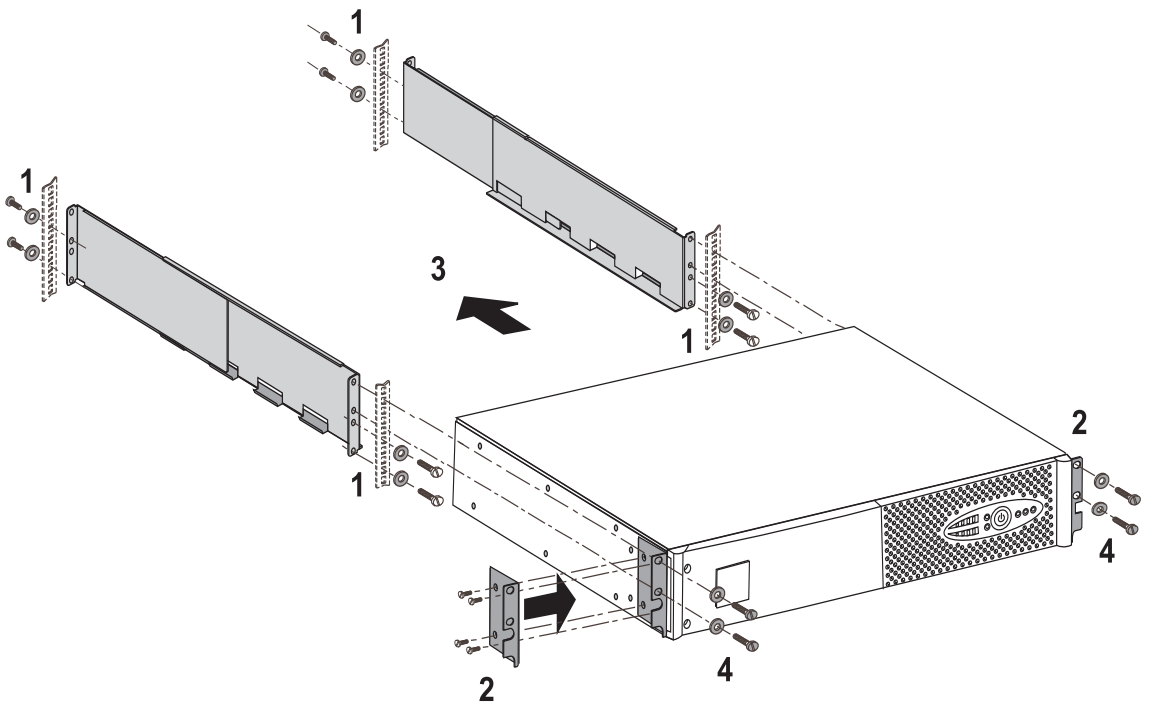
Nota : les pieds de maintien en position verticale sont utilisés sur les modèles RT 2U uniquement.

2.3 Installation en position rack

Il est recommandé de monter le module batterie en premier, puis de monter le module de puissance au-dessus.



Suivre les étapes 1 à 4 pour le montage du module sur ses rails.



Les rails et le nécessaire de montage sont fournis par EATON.

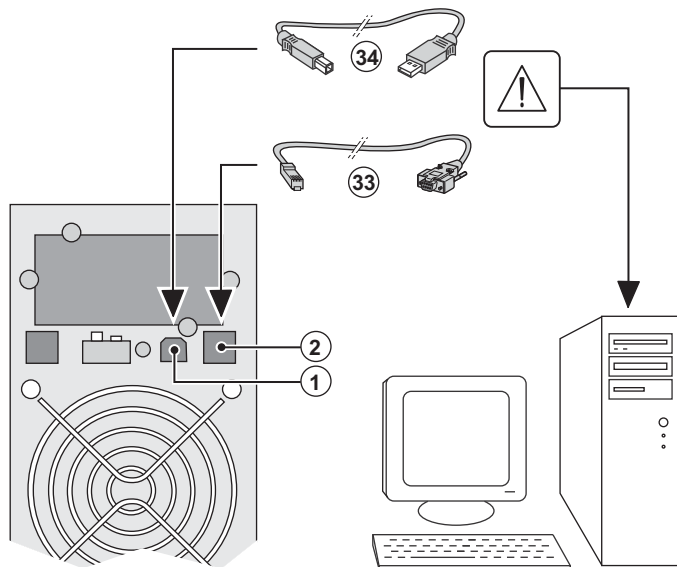
2. Installation

2.4 Ports de communication

Raccordement du port de communication RS232 ou USB (facultatif)



Le port de communication RS232 et le port de communication USB ne peuvent fonctionner simultanément.

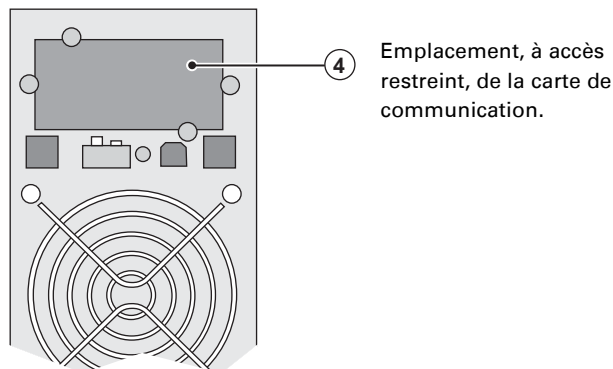


1 - Connecter le câble de communication RS 232 (33) ou USB (34) sur le port série ou USB de l'équipement informatique.

2 - Connecter l'autre extrémité du câble de communication (33) ou (34) sur le port de communication USB (1) ou RS232 (2) de l'ASI.

L'ASI peut désormais dialoguer avec un logiciel d'administration, de personnalisation ou de sécurité EATON.

Installation des cartes de communication (option, en standard pour les versions Netpack)

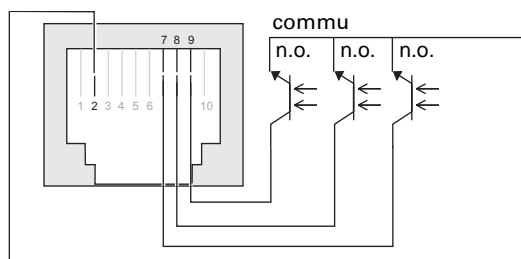


Emplacement, à accès restreint, de la carte de communication.

Il n'est pas nécessaire d'arrêter l'ASI pour installer la carte de communication :

- 1 - Oter le plastron (4) de l'ASI fixé par des vis.
- 2 - Insérer la carte de communication dans l'emplacement prévu.
- 3 - Fixer le plastron de la carte à l'aide des vis.

Caractéristiques du port de communication par contact (facultatif)



- Broches 1, 3, 4, 5, 6, 10 : non utilisées
- Broche 2 : commun utilisateur
- Broche 7 : batterie basse
- Broche 8 : fonctionnement sur batterie.
- Broche 9 : ASI en marche, charge alimentée

n.o. : contact normalement ouvert.

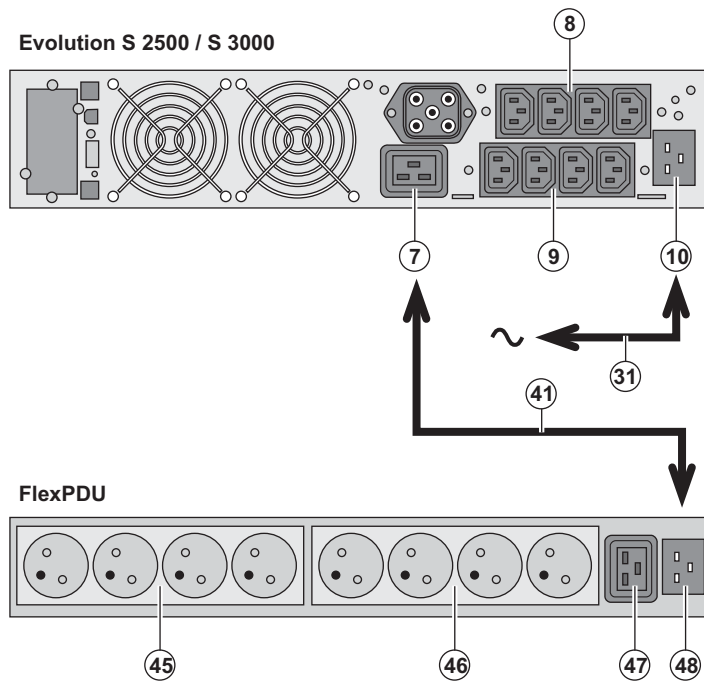
Quand une information est active, le contact est fermé entre la broche commune 2 et la broche de l'information correspondante.

Caractéristiques des contacts (optocoupleurs)

- Tension : 48 V DC max
- Courant : 25 mA max
- Puissance : 1.2 W

2. Installation

2.5 Raccordements avec un module FlexPDU (Power Distribution Unit) (Option)



1 - **Evolution S 2500 / S 3000** : relier la prise d'entrée (10) de l'ASI au réseau électrique à l'aide du cordon (31) fourni.
Evolution S 1250 / S 1750 / 2000 : utiliser le cordon d'alimentation de l'équipement à protéger.

2 - **Evolution S 2500 / S 3000** : relier la prise d'entrée réseau électrique du module **FlexPDU (48)** à la prise de sortie (7) de l'ASI à l'aide du cordon (41) fourni.
Evolution S 1250 / S 1750 / 2000 : relier la prise d'entrée réseau électrique du module **FlexPDU (48)** à une des prises (9) de sortie.

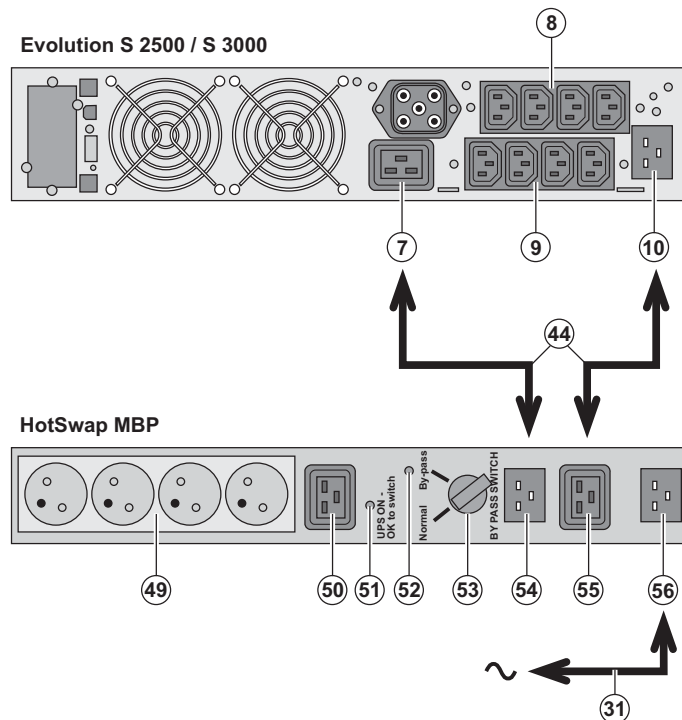
Ce câble et ces prises sont repérés en rouge.

3 - Connecter les équipements sur les prises (45), (46) et (47) du module **FlexPDU**. Ces prises sont de type différent selon la version du module **FlexPDU**.

4 - Verrouiller les câbles en position avec les brides métalliques des prises.

2.6 Raccordements avec un module HotSwap MBP (Option)

Le rôle du module **HotSwap MBP** est de permettre la maintenance et éventuellement le remplacement de l'ASI sans affecter l'alimentation électrique des équipements connectés (fonction **HotSwap**).



1 - Relier la prise d'entrée (56) du module **HotSwap MBP** au réseau électrique à l'aide du cordon (31) fourni.

2 - Relier la prise d'entrée réseau électrique de l'ASI (10) à la prise "UPS Input" (55) du module **HotSwap MBP**, à l'aide du cordon (44) fourni. Ces câbles et prises sont repérés en bleu.

3 - **Evolution S 2500 / S 3000** : relier la prise de sortie (7) de l'ASI à la prise "UPS Output" (54) du module **HotSwap MBP**, à l'aide du cordon (44) fourni.
Evolution S 1250 / S 1750 / 2000 : relier une des prises de sortie (9) de l'ASI à la prise "UPS Output" (54) du module **HotSwap MBP**.

Ces câbles et prises sont repérés en rouge.

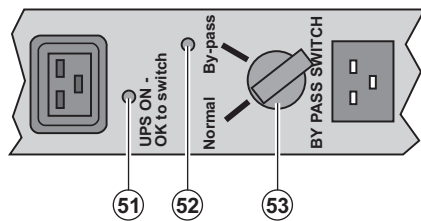
4 - Connecter les équipements sur les prises de sortie (49) et (50) du module **HotSwap MBP**. Ces prises sont de type différent selon la version du module **HotSwap MBP**.

Attention : ne pas utiliser les prises de sortie (8) et (9) de l'ASI pour alimenter les équipements, car dans ce cas la manoeuvre du commutateur (53) du module **HotSwap MBP** provoquera une coupure d'alimentation sur ces équipements.



2. Installation

Fonctionnement du module HotSwap MBP



Le module **HotSwap MBP** utilise un commutateur rotatif (53) à 2 positions :
Normal : les équipements sont alimentés par l'ASI.
By-pass : les équipements sont alimentés par le réseau électrique.

Mise en service de l'ASI avec le module HotSwap MBP :

- 1 - Vérifier que l'ASI est raccordée correctement au module **HotSwap MBP**.
 - 2 - Placer le commutateur (53) en position Normal.
 - 3 - Mettre en marche l'ASI en appuyant sur le bouton Marche/Arrêt (24) sur la face avant de l'ASI.
- Les équipements sont alors alimentés par l'ASI.
Le voyant (51) "UPS ON - OK to switch" s'allume sur le module **HotSwap MBP**.

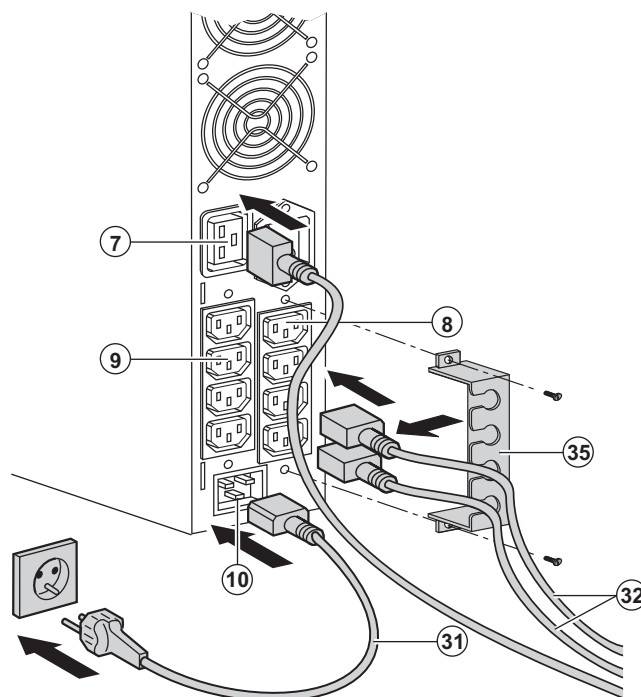
Test du module HotSwap MBP

- 1 - Placer le commutateur (53) en position By-pass et vérifier que les équipements sont alors toujours alimentés.
- 2 - Remettre le commutateur (53) en position Normal.

2.7 Raccordement d'une ASI dépourvue de module FlexPDU ou HotSwap MBP



Vérifier que les indications portées sur la plaque d'identification située à l'arrière de l'appareil correspondent au réseau électrique d'alimentation et à la consommation électrique réelle des équipements.



1 - **Evolution S 1250 / S 1750 / 2000** : connecter la prise d'entrée (10) de l'ASI au réseau électrique à l'aide du cordon d'alimentation de l'équipement à protéger.

Evolution S 2500 / S 3000 : connecter le cordon d'alimentation (31) fourni (250V - 16A) sur la prise (10), puis sur la prise du réseau électrique d'alimentation.

2 - Raccorder les équipements à l'ASI à l'aide des câbles (32).

Connecter de préférence les équipements prioritaires sur les 4 prises (9) et les équipements non prioritaires sur les 4 prises (8) programmables par paire (1 et 2).

Pour les modèles **Evolution S 2500 / S 3000**, connecter les équipements de plus forte puissance sur la prise (7) qui peut délivrer un courant de 16A.

Pour pouvoir programmer l'arrêt des prises (8) en cours d'autonomie batterie et optimiser ainsi la durée de cette autonomie, il est nécessaire d'avoir accès au logiciel de communication EATON.

3 - Verrouiller le raccordement en fixant le système de maintien des câbles (35).

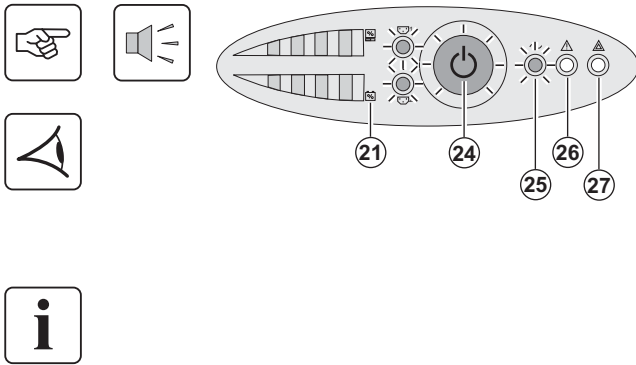


Nota : l'appareil recharge sa batterie dès qu'il est raccordé au réseau électrique, même sans appuyer sur le bouton (24).

Après la première mise sous tension, il faudra au moins 8 heures pour que la batterie puisse fournir l'autonomie nominale.



3.1 Mise en service et fonctionnement normal



Appuyer sur le bouton (24) environ 1 seconde.

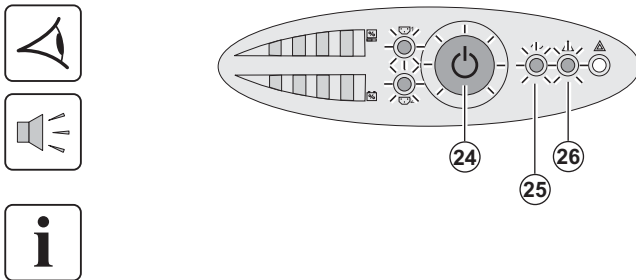
- ▶ Le buzzer émet un bip et tous les voyants s'allument simultanément.
- ▶ Si le réseau électrique d'alimentation est présent : le bouton (24) et le voyant (25) sont allumés : les équipements sont alimentés par le réseau électrique. Si les conditions le permettent, l'ASI réalise un test batterie signalé par les voyants (21) et le buzzer.
- ▶ Si le réseau électrique d'alimentation est absent : le bouton (24), les voyants (25) et (26) sont allumés : les équipements sont alimentés par l'ASI qui fonctionne sur batterie.

Les équipements connectés sont protégés par l'ASI.

Si le voyant (27) est allumé, un défaut est présent (voir chapitre "Anomalies").

3.2 Fonctionnement sur batterie

Passage sur batterie

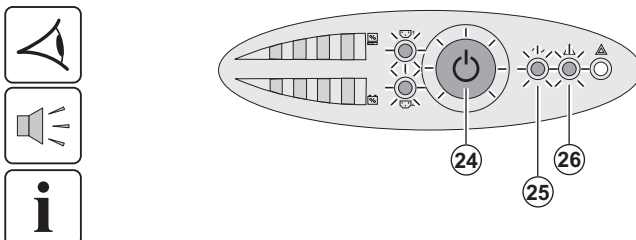


▶ Les équipements connectés continuent à être alimentés par l'ASI quand le réseau électrique n'est plus disponible. L'énergie fournie provient de la batterie.

- ▶ Le bouton (24) et les voyants (25) et (26) sont allumés.
- ▶ L'alarme sonore émet un bip toutes les 10 secondes.

Les équipements connectés sont alimentés à partir de la batterie.

Seuil de préalarme de fin d'autonomie batterie



- ▶ Le bouton (24) et les voyants (25) et (26) sont allumés.
- ▶ L'alarme sonore émet un bip toutes les 3 secondes.

L'autonomie batterie restante est faible.

Fermer toutes les applications des équipements connectés car l'arrêt automatique de l'ASI est imminent.

3. Utilisation

Fin d'autonomie batterie



- ▶ Tous les voyants sont éteints.
- ▶ L'alarme sonore est silencieuse.

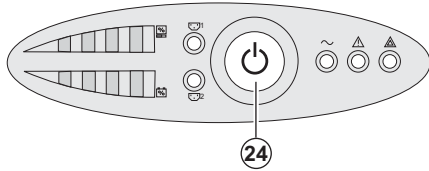


L'ASI est arrêtée complètement.

3.3 Retour du réseau électrique

Après la coupure, l'ASI redémarre automatiquement au retour du réseau électrique (à moins que cette fonction n'ait été désactivée via la personnalisation de l'ASI) et les équipements sont à nouveau alimentés.

3.4 Arrêt de l'ASI



Presser le bouton **(24)** plus de 2 secondes.

Les équipements connectés à l'ASI ne sont plus alimentés.

3.5 Utilisation des fonctions de commande à distance de l'ASI

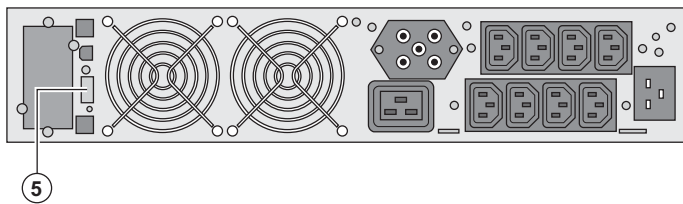
Evolution dispose au choix de deux dispositifs de commande à distance.

▶ **RPO** : c'est une fonction d'arrêt à distance de l'ASI (**Remote Power Off**) qui permet de mettre hors tension l'ensemble des équipements connectés à l'ASI par un contact utilisateur déporté.

Le redémarrage de l'ASI nécessite une intervention manuelle.

▶ **ROO** : c'est une fonction de marche/arrêt à distance de l'ASI (**Remote ON/OFF**) qui permet d'avoir l'action du bouton **(24)** déportée.

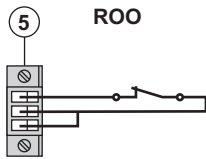
Ces fonctions sont obtenues par l'ouverture du contact que l'on raccorde entre les broches appropriées du connecteur **(5)** sur la face arrière de l'ASI (voir figures ci-après).



Raccordement et test des commandes à distance



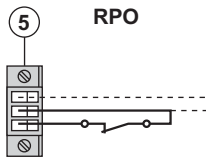
- 1 - Vérifier que l'ASI est en position arrêt et que le réseau électrique d'alimentation est déconnecté.
- 2 - Oter le connecteur **(5)** en dévissant les vis.
- 3 - Raccorder un contact sec isolé, de type normalement fermé (60 Vdc / 30 Vac max, 20 mA max, section de câble de 0,75 mm²) entre les deux broches du connecteur **(5)**, voir figure.



Contact ouvert : arrêt de l'ASI

Contact fermé : mise en marche de l'ASI (ASI raccordée au réseau et réseau présent)

Nota : la commande Marche/Arrêt locale par le bouton (24) reste prioritaire par rapport à la commande à distance.



Contact ouvert : arrêt de l'ASI, le voyant (26) s'allume.

Pour revenir en fonctionnement normal, désactiver le contact externe d'arrêt à distance et redémarrer l'ASI par le bouton (24).

4 - Embrocher le connecteur (5) à son emplacement sur la face arrière de l'ASI.

5 - Raccorder et redémarrer l'ASI selon les procédures décrites précédemment.

6 - Activer le contact externe d'arrêt à distance pour tester la fonction.



Attention : ce connecteur doit être exclusivement relié à des circuits de niveau TBTS (Très Basse Tension de Sécurité).

4. Personnalisation par logiciel externe



- Insérer le CD ROM **Solution-Pac** dans votre lecteur.
 - Sur le premier écran du navigateur, sélectionner "Solution Point à Point" et suivre les instructions pour installer le logiciel **Personal Solution-Pac**.
 - Sélectionner ensuite "Configuration", puis "Configuration avancée" et "Paramètres onduleur".
- Noter que les versions Linux/Unix/MacOS du logiciel **Personal Solution-Pac** n'incluent pas cette possibilité. Vous pouvez modifier les paramètres de réglage suivants (les commentaires détaillés sont disponibles dans le logiciel **Personal Solution-Pac**) :

Personnalisation de la sortie principale

Fonction	Personnalisation usine	Autres choix
Tension de sortie en fonctionnement sur batterie	230 Volts AC	200/208/220/240 Volts AC
Seuil d'alarme surcharge utilisation	105%	30/50/70%

Personnalisation des seuils de tension

Fonction	Personnalisation usine	Autres choix
Seuil haut de passage sur batterie	294 Volts AC	De 271 à 294 Volts AC
Seuil bas de passage sur batterie	160 Volts AC	De 160 à 180 Volts AC
Seuil d'activation du mode «fader»	265 Volts AC	De 244 à 265 Volts AC
Seuil d'activation du mode «booster»	184 Volts AC	De 184 à 207 Volts AC
Plage maximale de tension d'entrée	Désactivée	Activée ⁽¹⁾

(1) Seuil de tension basse de passage sur batterie : 150V.

Personnalisation de la sensibilité de l'ASI

Fonction	Personnalisation usine	Autres choix
Niveau de sensibilité de l'ASI	Normale	Haute ou basse

Personnalisation des conditions de marche/arrêt de l'ASI

Fonction	Personnalisation usine	Autres choix
Démarrage automatique	Activé	Désactivé
Démarrage sur batterie	Activé	Désactivé
Arrêt forcé	Activé	Désactivé
Mode économie d'énergie	Désactivé	Activé
Marche/arrêt de l'ASI par logiciel	Activé	Désactivé
Niveau de la batterie avant redémarrage	0%	De 0 à 100%

Personnalisation de la batterie

Fonction	Personnalisation usine	Autres choix
Périodicité du test batterie	Hebdomadaire	Pas de test / Journalier / Mensuel
Préalarme de fin d'autonomie	20%	De 0 à 100%
Protection contre les décharges profondes	Activée	Désactivé
Alarme sonore	Activée	Désactivé
Extension batterie (modèles Evolution S uniquement)	Détection automatique du nombre de modules batterie	Pour des batteries spécifiques, de 25 à 81Ah

5.1 Dépannage

	Symptôme	Diagnostic	Remède
1	Lors du démarrage de l'ASI par le bouton (24), tous les voyants s'allument une fois et le buzzer émet un bip, puis le voyant (26) reste allumé.	L'action du contact arrêt à distance (RPO) a provoqué l'arrêt de l'ASI et empêche son redémarrage.	Remettre le contact en position normale et appuyer sur le bouton (24) pour redémarrer.
2	Le bouton (24) et les voyants (25) et (26) sont allumés, et tous les voyants du baregraphe (20) clignotent.	Le taux de charge dépasse le niveau de surcharge paramétré ou la capacité de l'ASI.	Vérifier la puissance absorbée par les équipements raccordés et déconnecter les équipements non prioritaires. Vérifier le niveau de surcharge paramétré.
3	Le bouton (24) et le voyant (27) sont allumés, et tous les voyants du baregraphe (20) clignotent.	Une surcharge critique est atteinte en sortie de l'appareil. En cas de perte du réseau d'alimentation, les équipements ne seront pas alimentés en mode batterie.	Vérifier la puissance absorbée par les équipements raccordés et déconnecter les équipements non prioritaires.
4	Le voyant (27) est allumé, et tous les voyants du baregraphe (21) clignotent.	Un défaut a été détecté sur la batterie lors du test automatique.	Remplacer les éléments de la batterie (voir §5.2, Remplacement du module batterie).
5	Le voyant (27) seul est allumé, et le buzzer émet un bip continu.	L'ASI présente un défaut interne, et l'ensemble des équipements n'est plus alimenté.	Faire appel au service après vente.

Dépannage d'une ASI équipée d'un module HotSwap MBP



	Symptôme	Diagnostic	Remède
6	Les équipements raccordés ne sont pas alimentés lorsque le commutateur rotatif (49) du module HotSwap MBP est en position By-pass.	<ul style="list-style-type: none"> ▶ Les équipements sont raccordés en sortie de l'ASI au lieu d'être raccordés sur le module HotSwap MBP. ▶ Le cordon du réseau électrique d'alimentation est raccordé en entrée de l'ASI au lieu d'être raccordé sur le module HotSwap MBP. 	Vérifier le câblage entre l'ASI et le module HotSwap MBP (voir §2.6).
7	Les équipements raccordés ne sont pas alimentés lorsque le commutateur rotatif (49) du module HotSwap MBP est en position Normal.	<ul style="list-style-type: none"> ▶ L'ASI est à l'arrêt. ▶ Le câblage n'est pas conforme entre l'ASI et le module HotSwap MBP. 	<ul style="list-style-type: none"> ▶ Démarrer l'ASI. ▶ Vérifier le câblage entre l'ASI et le module HotSwap MBP (voir §2.6).
8	Les équipements raccordés ne sont pas alimentés en cas de coupure du réseau électrique.	<ul style="list-style-type: none"> ▶ Le commutateur rotatif (49) du module HotSwap MBP est en position By-pass. ▶ Le câblage n'est pas conforme entre l'ASI et le module HotSwap MBP. 	<ul style="list-style-type: none"> ▶ Mettre le commutateur rotatif (49) du module HotSwap MBP en position Normal. ▶ Vérifier le câblage entre l'ASI et le module HotSwap MBP (voir §2.6).

En cas de défaut entraînant l'arrêt de l'ASI, appuyer sur le bouton Marche/Arrêt (24) pour acquitter le défaut.

5. Maintenance

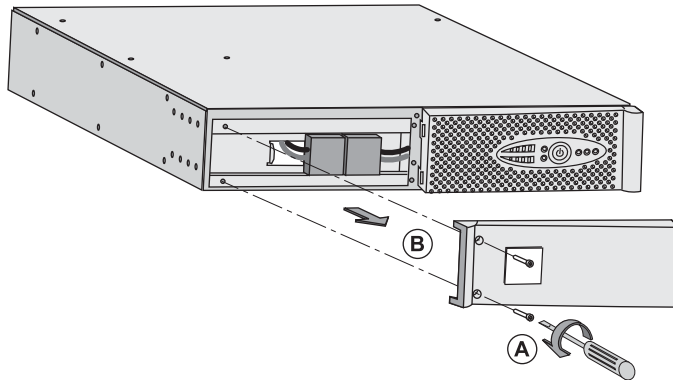
5.2 Remplacement du module batterie

Rappel sur les consignes de sécurité :

La batterie présente un risque d'électrocution et un courant de court-circuit élevé. Les précautions suivantes doivent être prises pour toute intervention sur les éléments batterie :

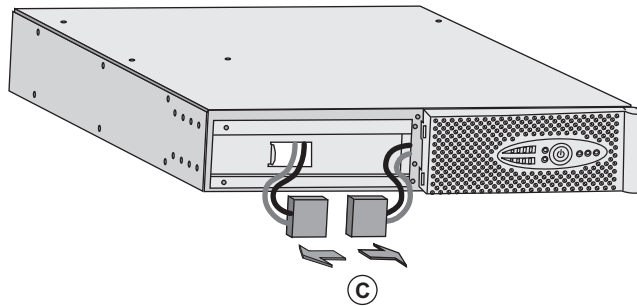
- Oter des mains montres, bagues, alliances, bracelets ou tout autre objet métallique,
- Utiliser des outils dont le manche est isolé.

Démontage du module batterie

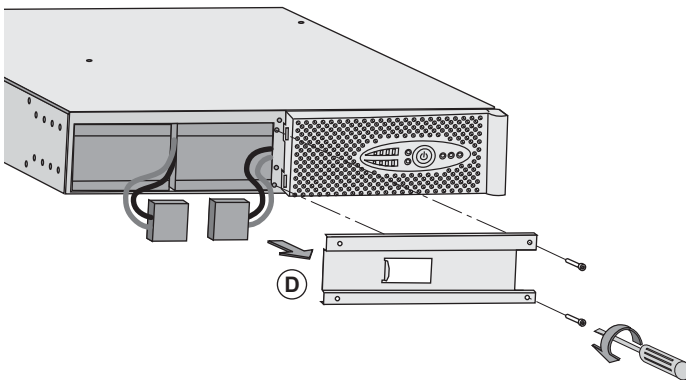


A - Dévisser la partie gauche de la face avant fixée par 2 vis.

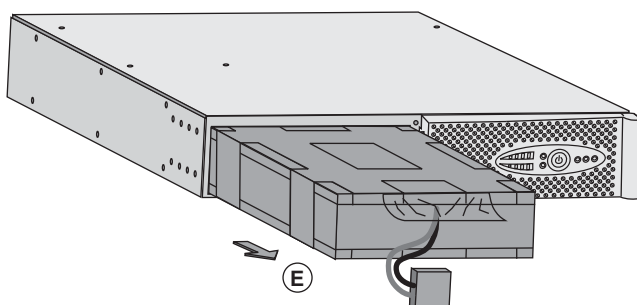
B - Retirer cette partie.



C - Débrancher le bloc batterie en séparant les 2 connecteurs (ne jamais tirer sur les câbles).



D - Enlever le capot métallique de protection batterie fixé par 2 vis.



E - Extraire le bloc batterie en tirant sur la languette plastique et procéder à son remplacement.

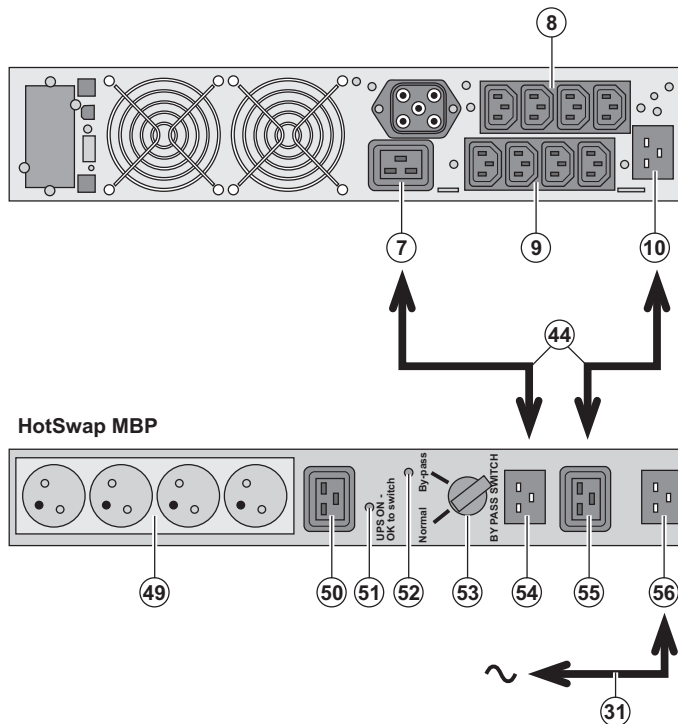
Remontage du nouveau module batterie

Réaliser les opérations décrites ci-dessus en sens inverse.



- Pour préserver la sécurité et le même niveau de performance, utiliser des éléments batterie fournis par EATON.
- Veillez à bien enfoncer les parties mâles et femelles du connecteur lors du raccordement.

5.3 Maintenance d'une ASI équipée d'un module HotSwap MBP



Le rôle du module **HotSwap MBP** est de permettre la maintenance et éventuellement le remplacement de l'ASI sans affecter l'alimentation électrique des équipements connectés (fonction **HotSwap**).

Maintenance :

- 1 - Placer le commutateur (**53**) en position By-pass : le voyant rouge du module **HotSwap MBP** s'allume pour indiquer que les équipements sont alimentés directement par le réseau électrique.
- 2 - Arrêter l'ASI en appuyant sur le bouton Marche/Arrêt (**24**) sur la face avant de l'ASI : le voyant (**51**) "UPS ON - OK to switch" s'éteint, l'ASI peut alors être déconnectée et remplacée.

Retour en fonctionnement normal :

- 1 - Vérifier que l'ASI est raccordée correctement au module **HotSwap MBP**.
- 2 - Mettre en marche l'ASI en appuyant sur le bouton Marche/Arrêt (**24**) sur la face avant de l'ASI : le voyant (**51**) "UPS ON - OK to switch" s'allume sur le module **HotSwap MBP** (sinon il y a erreur de raccordement du module **HotSwap MBP** avec l'ASI).
- 3 - Mettre le commutateur (**53**) en position Normal : le voyant rouge du module **HotSwap MBP** s'éteint.

5.4 Centre de formation

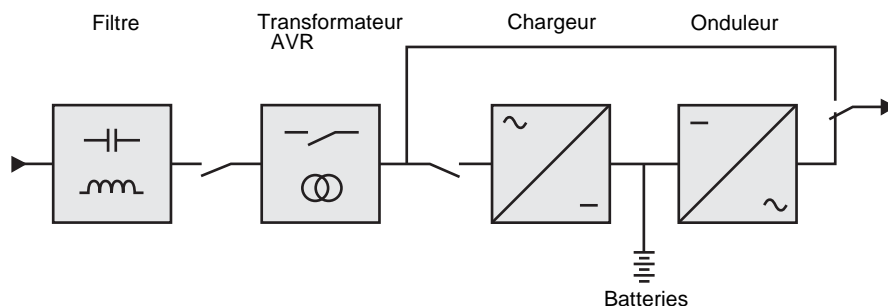


Pour maîtriser l'exploitation de votre appareil EATON et intervenir au premier niveau, nous mettons à votre disposition un programme complet de formations techniques en langues anglaise et française.

Pour plus d'informations, consulter notre site internet : www.eaton.com

6. Annexes

6.1 Spécifications techniques



	Evolution S 1250	Evolution S 1750	Evolution 2000	Evolution S 2500	Evolution S 3000
Puissance de sortie	1250VA/1150W	1750VA/1600W	2000VA/1600W	2500VA/2250W	3000VA/2700W
Réseau électrique d'alimentation <ul style="list-style-type: none"> ▶ Tension d'entrée nominale ▶ Plage de tension d'entrée ▶ Plage de fréquence d'entrée 	Monophasée 220~240 V de 160 V à 294 V ⁽¹⁾ 47 Hz à 70 Hz (réseau 50 Hz), 56,5 Hz à 70 Hz (réseau 60 Hz) ⁽²⁾				
Sortie utilisation en fonctionnement sur batterie <ul style="list-style-type: none"> ▶ Tension ▶ Fréquence 	230 V (+6/-10%) ⁽³⁾ 50/60 Hz ±0,1%				
Batterie (au plomb étanche sans entretien) <ul style="list-style-type: none"> ▶ Standard 	4 x 12 V 7,2 Ah	4 x 12 V - 9 Ah		6 x 12 V 7,2 Ah	6 x 12 V 9 Ah
▶ Extension possible (jusqu'à 4 EXB)	Evolution S EXB 1250/1750 ⁽⁴⁾		Non	Evolution EXB S 2500/3000 ⁽⁵⁾	
Environnement <ul style="list-style-type: none"> ▶ Température de fonctionnement ▶ Température de stockage ▶ Humidité 	0°C à 40°C -25°C à 40°C 20% à 90% (sans condensation)				
▶ Niveau de bruit	< 45 dBA			< 50 dBA	

(1) Seuils haut et bas ajustables par le logiciel **Personal Solution-Pac**.

(2) Jusqu'à 40Hz en mode de sensibilité basse (programmable par le logiciel **Personal Solution-Pac**).

(3) Ajustable parmi 200V (déclassement de 10% de la puissance de sortie) / 208V / 220V / 230V / 240V

(4) Batterie **Evolution S EXB 1250/1750** : 2 chaînes de 4 x 12V / 9Ah.

(5) Batterie **Evolution S EXB 2500/3000** : 2 chaînes de 6 x 12V / 9Ah.

6.2 Glossaire

AC By-pass	Voie dérivée du réseau électrique d'alimentation, commandée par l'ASI et permettant une alimentation directe des équipements par le réseau électrique en cas de surcharge ou de dysfonctionnement de l'onduleur.
AC Normal	Il s'agit du réseau électrique d'alimentation normal de l'ASI.
ASI	Alimentation Sans Interruption.
Autonomie	Temps pendant lequel les équipements sont alimentés par l'ASI fonctionnant sur batterie.
Décharge profonde	Décharge de la batterie au delà de la limite permise occasionnant des dommages irréversibles sur la batterie.
Démarrage sur batterie	Permet la mise sous tension des équipements connectés à l'ASI en absence du réseau électrique d'alimentation. L'ASI fonctionne alors sur batterie uniquement.
Equipements	Appareils ou dispositifs raccordés en sortie de l'ASI.
FlexPDU	Module de prises de sortie ASI pour installation dans une baie. Il existe différents types de modules correspondant à différents type de prises.
HotSwap MBP	Module de dérivation manuelle de l'ASI en vue d'une maintenance. Il existe différents types de modules correspondant à différents type de prises.
Marche/Arrêt onduleur par logiciel	Permet d'autoriser ou d'interdire au logiciel de protection des systèmes informatiques le déclenchement de séquences Marche/Arrêt de l'ASI.
Mode "booster"	Mode de fonctionnement automatique de l'ASI permettant de remonter la tension du réseau électrique, en cas de faiblesse de celle-ci, au-dessus d'une valeur définie par personnalisation, et ceci sans décharger la batterie.
Mode "fader"	Mode de fonctionnement automatique de l'ASI permettant d'abaisser la tension du réseau électrique, en cas de valeur trop élevée de celle-ci, au-dessous d'une valeur définie par personnalisation, et ceci sans décharger la batterie.
Personnalisation	Programmation de certains paramètres différente de la configuration standard de sortie usine. Certaines fonctions de l'ASI peuvent être modifiées par le logiciel Personal Solution-Pac afin de mieux satisfaire vos besoins.
Prises programmables	Prises commandables pour délestage automatique, arrêt à distance et démarrage séquentiel (personnalisation par le logiciel Personal Solution-Pac).
Seuil de préalarme de fin d'autonomie batterie	Il s'agit d'un seuil du niveau de tension batterie permettant de détecter la fin prochaine de l'autonomie batterie et prendre alors les disposition imposées par la coupure prochaine de tension sur les équipements.
Taux de charge	Rapport de la puissance consommée par les équipements connectés à l'ASI sur la puissance maximale que peut fournir l'ASI.
Test de la batterie	Test interne à l'ASI permettant de vérifier l'état de la batterie.

Evolution

S 1250 RT 2U

S 1750 RT 2U

2000 RT 2U

S 2500 RT 2U

S 3000 RT 2U

S 3000 RT 3U

S EXB 1250/1750 RT 2U

S EXB 2500/3000 RT 2U

S EXB 2500/3000 RT 3U

Installations- und Bedienungsanleitung



Pulsar Series

EATON

Powering Business Worldwide

Wir danken Ihnen, dass Sie sich für ein Produkt von EATON zum Schutz Ihrer Anwendungen entschieden haben.

Die Baureihe **Evolution** wurde mit größter Sorgfalt entwickelt.

Um die Leistungen Ihrer **USV (Unterbrechungsfreien Stromversorgung)** optimal nutzen zu können, empfehlen wir Ihnen, sich ein wenig Zeit zu nehmen und die vorliegende Anleitung aufmerksam zu lesen.

Vor der Installation von **Evolution** sollten Sie sich mit den geltenden Sicherheitsvorschriften vertraut machen und anschließend die Hinweise der vorliegenden Anleitung befolgen.

Entdecken Sie das umfassende Angebot von EATON sowie weitere Optionen zur Baureihe **Evolution** auf unserer WEB-Site www.eaton.com bzw. www.eaton.de, oder wenden Sie sich persönlich an den Vertreter von EATON in Ihrer Nähe.

Umweltfreundlichkeit

Für EATON sind der Schutz und die Erhaltung der Umwelt wichtige Unternehmensziele.

Alle unsere Produkte werden im Hinblick auf ihre Umweltverträglichkeit entwickelt.

Schadstoffe

Dieses Produkt enthält weder FKW- oder FCKW-Verbindungen noch Asbest.


Verpackung

Zur umweltgerechten Entsorgung und Wiederaufbereitung sollten die Verpackungsmaterialien nach einzelnen Stoffarten sortiert werden.

► Die verwendeten Kartonnagen bestehen zu 50% aus Recyclingpappe.

► Sämtliche Beutel bestehen aus Polyethylen.

► Alle verwendeten Materialien sind wiederverwertbar und mit dem Symbol  gekennzeichnet.

Material	Kurzbezeichnung	Kennziffer im Symbol 
Polyethylenterephthalat	PET	01
Polyethylen hoher Dichte	HDPE	02
Polyvinylchlorid	PVC	03
Polyethylen niedriger Dichte	LDPE	04
Polypropylen	PP	05
Polystyrol	PS	06

Verpackungsmaterial muss gemäß den gesetzlichen Bestimmungen entsorgt werden.

Recycling der USV nach Ablauf der Lebensdauer

EATON verpflichtet sich, sämtliche nach Ablauf der Lebensdauer rückgeführten Komponenten einer Wiederverwertung gemäß den gesetzlichen Bestimmungen zuzuführen (wenden Sie sich bitte an ihre örtliche EATON-Vertretung).

Zu diesem Zweck arbeitet EATON mit zugelassenen Entsorgungsunternehmen zusammen.

Produkt

Das Produkt besteht aus wiederverwertbaren Materialien

Ihre Entsorgung muss gemäß den geltenden gesetzlichen Bestimmungen erfolgen.

Nach Ablauf der Lebensdauer muss das Produkt in einer zugelassenen Annahmestelle für Elektronikschrott entsorgt werden.

Batterie

Das Produkt enthält Bleibatterien, die gemäß den geltenden gesetzlichen Bestimmungen entsorgt werden müssen. Zur Einhaltung dieser Vorschriften und ordnungsgemäßen Entsorgung der Batterien können diese aus der Anlage ausgebaut werden.

Allgemeines

Bedeutung der Piktogramme



Unbedingt zu befolgende Hinweise.



Informationen, Ratschläge, Hilfen.



Optische Anzeige.



Maßnahmen, Handlungen.



Akustischer Alarm.

In den Abbildungen der nachfolgenden Seiten sind die LED-Anzeigen mit folgenden Symbolen dargestellt:



LED AUS



LED AN



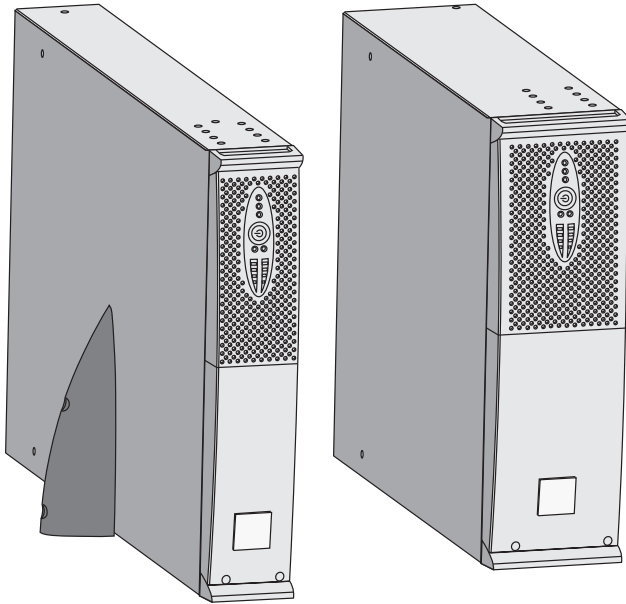
LED blinkt

1. Ansichten und Beschreibung	
1.1 Aufstellvarianten	6
Tower-Aufstellung	6
Rack-Einbau	6
1.2 Rückansicht	7
Evolution 2500 / 3000	7
Evolution 1250 / 1750 / 2000	7
Evolution EXB (Batterie-Erweiterungsmodul)	7
1.3 Bedien- und Anzeigefeld	7
2. Aufstellung und Installation	
2.1 Entfernen der Verpackung und Überprüfung des Lieferumfangs	8
2.2 Aufstellung des Tower-Modells	9
2.3 Einbau des Rack-Modells	9
2.4 Kommunikationsschnittstellen	10
Anschluss der RS232- bzw. der USB-Schnittstelle (wahlweise)	10
Einbau der optionalen Kommunikationskarten	10
Anschlussbelegung der optionalen Kommunikationskarte	10
2.5 USV-Anschluss mit optionalem FlexPDU-Installationsverteiler (Power Distribution Unit)	11
2.6 USV-Anschluss mit optionalem HotSwap-MBP-Modul	11
Funktionsweise des HotSwap-MBP-Moduls	12
2.7 USV-Anschluss ohne FlexPDU- oder HotSwap-MBP-Modul	12
3. Betriebszustände	
3.1 Inbetriebnahme und Normalbetrieb	13
3.2 Batteriebetrieb	13
3.3 Rückkehr der Netzspannung	14
3.4 Abschaltung der USV	14
3.5 Verwendung der Fernbetätigungsfunktionen der USV	14
4. Kundenspezifische Anpassung über externe Software	16
5. Wartung und Service	
5.1 Fehlerbehebung	17
Fehlerbehebung bei einer USV mit HotSwap-MBP-Modul	17
5.2 Austausch des Batteriemoduls	18
Sicherheitshinweise	18
Ausbau des Batteriemoduls	18
Einbau des neuen Batteriemoduls	19
5.3 Wartung einer USV mit HotSwap-MBP-Modul	19
5.4 Trainingscenter	19
6. Anhang	
6.1 Technische Daten	20
6.2 Fachbegriffe	21

1. Ansichten und Beschreibung

1.1 Aufstellvarianten

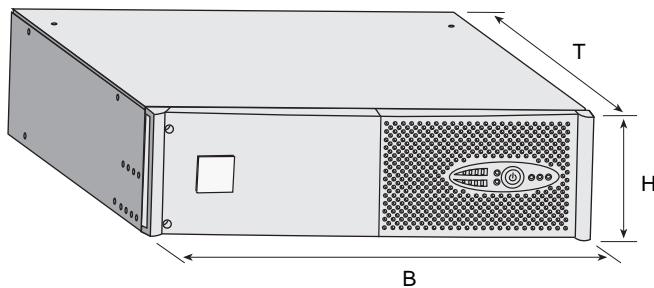
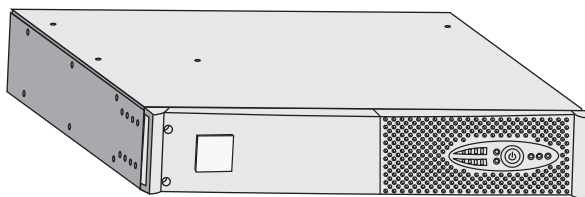
Tower-Aufstellung



Abmessungen (B x H x T) in mm	
S 1250 RT 2U S 1750 RT 2U 2000 RT 2U	440 x 86 x 509
S 2500 RT 2U S 3000 RT 2U	440 x 86 x 634
S 3000 RT 3U	440 x 131 x 484
S EXB 1250/1750 RT 2U	440 x 86 x 509
S EXB 2500/3000 RT 2U	440 x 86 x 634
S EXB 2500/3000 RT 3U	440 x 131 x 484

Gewicht in kg	
S 1250 RT 2U	24,3
S 1750 RT 2U	26,6
2000 RT 2U	25,7
S 2500 RT 2U	33,8
S 3000 RT 2U	33,8
S 3000 RT 3U	34,3
S EXB 1250/1750 RT 2U	30,4
S EXB 2500/3000 RT 2U	41,5
S EXB 2500/3000 RT 3U	41,7

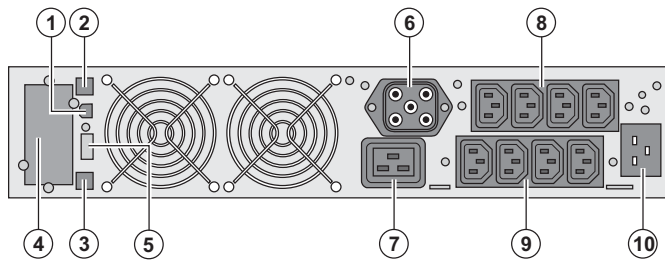
Rack-Einbau



1. Ansichten und Beschreibung

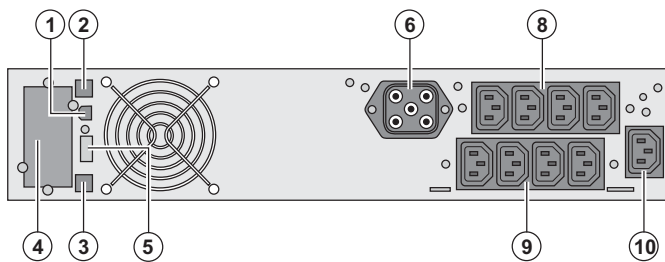
1.2 Rückansicht

Evolution S 2500 / S 3000



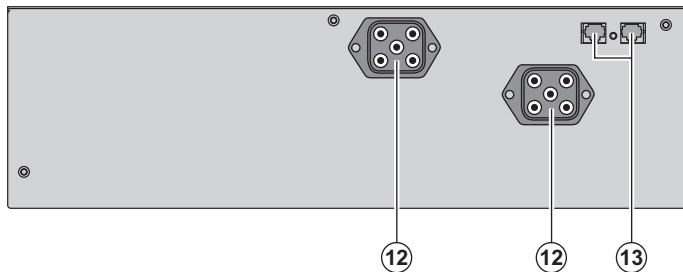
- (1) USB-Schnittstelle
- (2) RS232-Schnittstelle
- (3) Stecker zur automatischen Erkennung eines externen Batteriemoduls
- (4) Steckplatz für optionale Kommunikationskarte.
- (5) Steckverbinder für EIN/AUS-Fernbetätigung oder NOT-AUS.
- (6) Steckverbinder zum Anschluss eines externen Batteriemoduls (außer **Evolution 2000**)
- (7) 16A-Ausgangssteckdose
- (8) 2 Gruppen mit je 2 programmierbaren Ausgangssteckdosen
- (9) Gruppe mit 4 normalen Ausgangssteckdosen
- (10) Netzanschluss

Evolution S 1250 / S 1750 / 2000

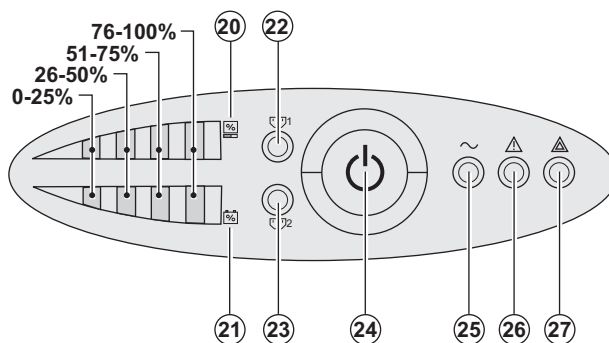


- (12) Steckverbinder zum Anschluss an USV oder weitere Batteriemodule
- (13) Stecker zur automatischen Erkennung des externen Batteriemoduls

Evolution S EXB (Batterie-Erweiterungsmodul)



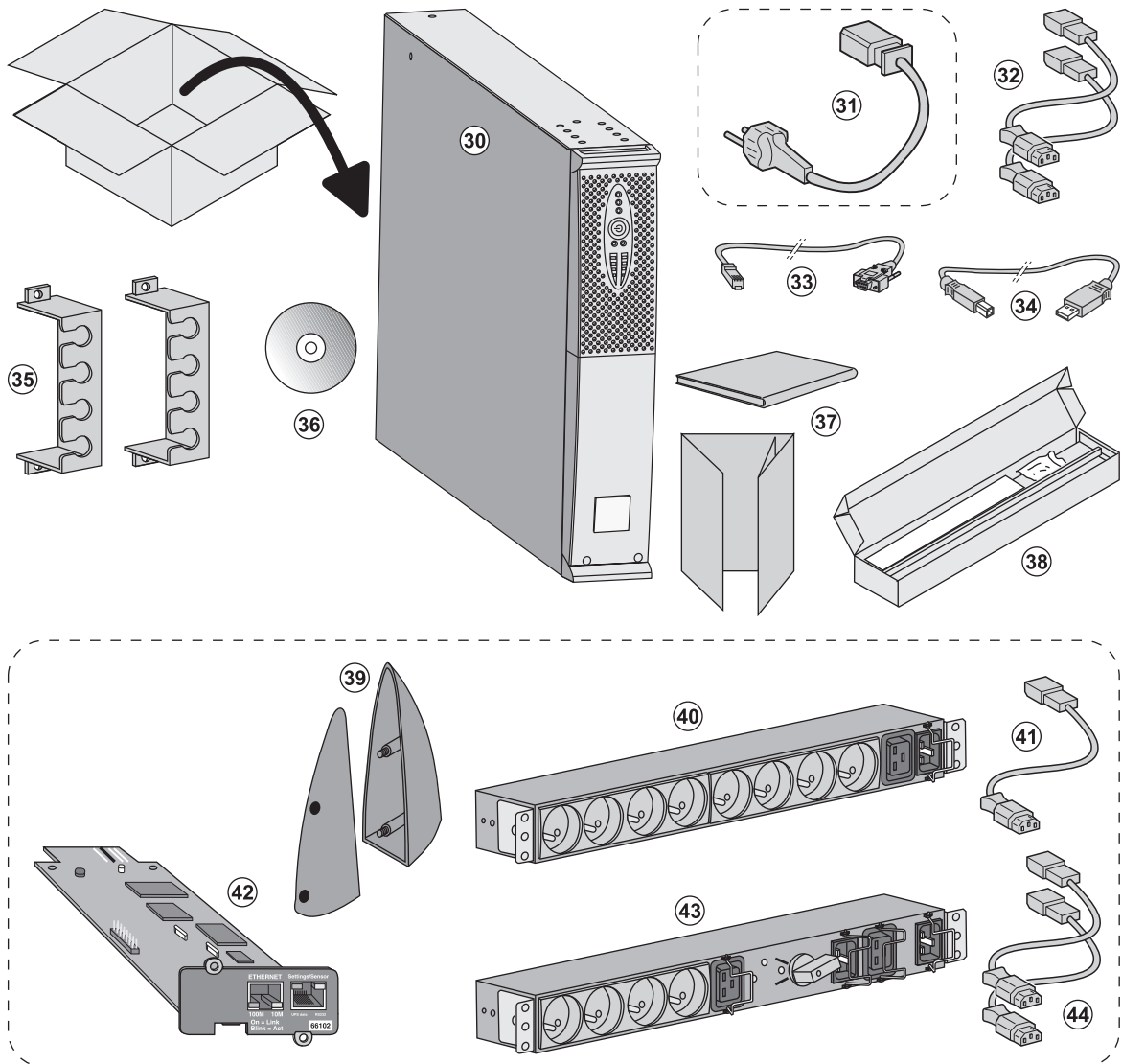
1.3 Bedien- und Anzeigefeld



- (20) Balkenanzeige Auslastungsgrad
- (21) Balkenanzeige Batterieladezustand
- (22) Programmierbare Steckdosengruppe 1 an Spannung
- (23) Programmierbare Steckdosengruppe 2 an Spannung
- (24) EIN/AUS-Taster (ON/OFF) mit LED zur Freischaltung/Trennung der Ausgangssteckdosen
- (25) LED "Verbraucher geschützt"
- (26) LED "Störung - eingeschränkter Betrieb"
- (27) LED "Verbraucher nicht geschützt"

2. Aufstellung und Installation

2.1 Entfernen der Verpackung und Überprüfung des Lieferumfangs



(30) USV Evolution.

(31) Netzkabel (nur bei Modellen **Evolution S 2500** und **S 3000**).

(32) 2 Verbraucher-Anschlusskabel.

(33) RS232-Kabel.

(34) USB-Kabel.

(35) 2 Verriegelungsabdeckungen für Verbraucher-Anschlusskabel.

(36) CD-ROM Solution-Pac.

(37) Dokumentation.

(38) Montagekit für Einbau in 19"-Schränke.

Lieferbestandteile je nach Version und Optionen

(39) 2 Stützfüße für TOWERaufstellung (nur für Modelle RT 2U).

(40) FlexPDU-Modul (Option).

(41) Verbindungskabel FlexPDU-Modul/USV.

(42) NMC-Kommunikationskarte (Option, Standard bei Netpack-Modellen).

(43) HotSwap-MBP-Modul (Option).

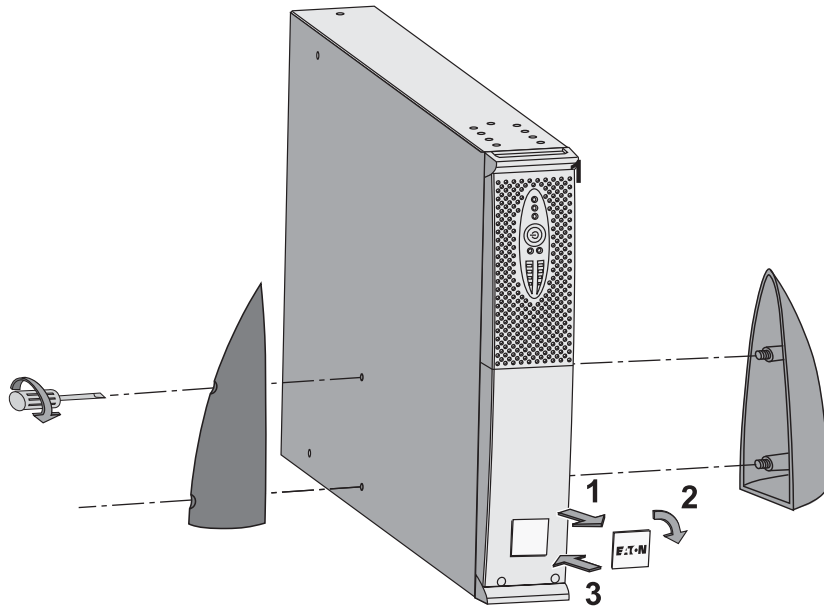
(44) Verbindungskabel HotSwap-MBP-Modul/USV.



Verpackungen müssen entsprechend den geltenden gesetzlichen Bestimmungen entsorgt werden.
Um die Sortierung zu erleichtern, sind die Verpackungsmaterialien mit entsprechenden Symbolen gekennzeichnet.

2. Aufstellung und Installation

2.2 Aufstellung des Tower-Modells



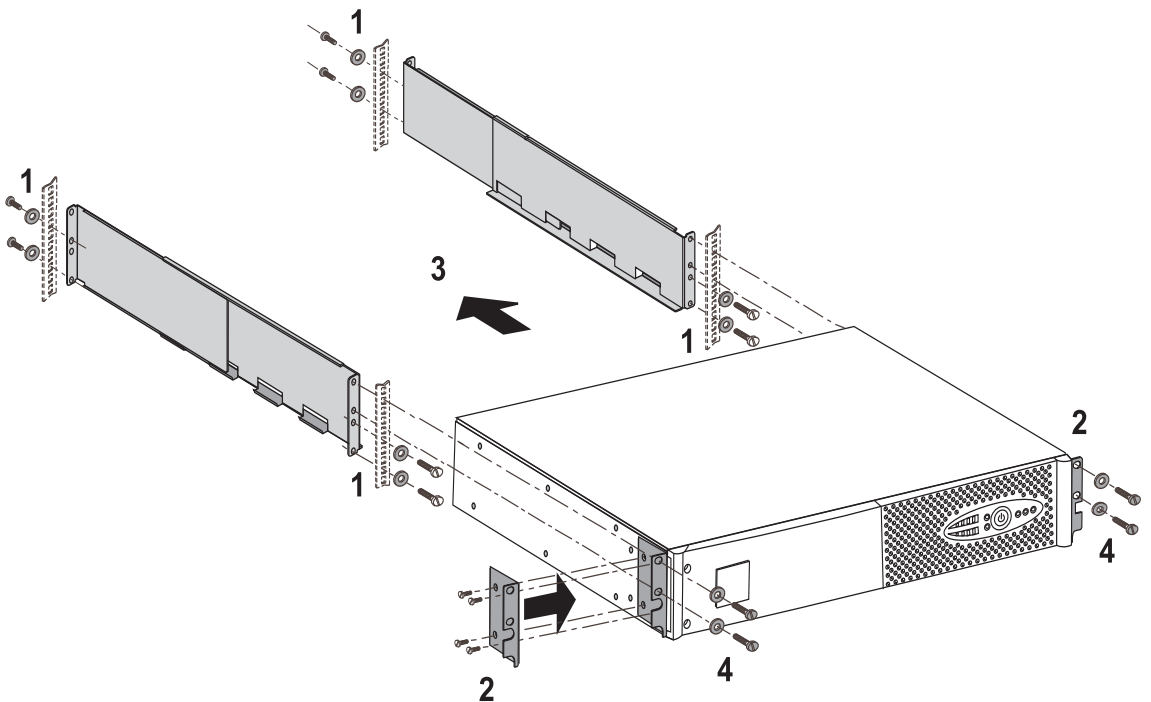
Hinweis: Die Stützfüße für TOWERaufstellung werden nur bei den Modellen RT 2U montiert.

2.3 Einbau des Rack-Modells

Es sollte zunächst das Batteriemodul und anschließend das USV-Modul darüber montiert werden.



Zur Befestigung des Moduls auf den Teleskopschienen Schritte 1 bis 4 befolgen.



Die Teleskopschienen und das benötigte Montagezubehör werden von EATON geliefert.

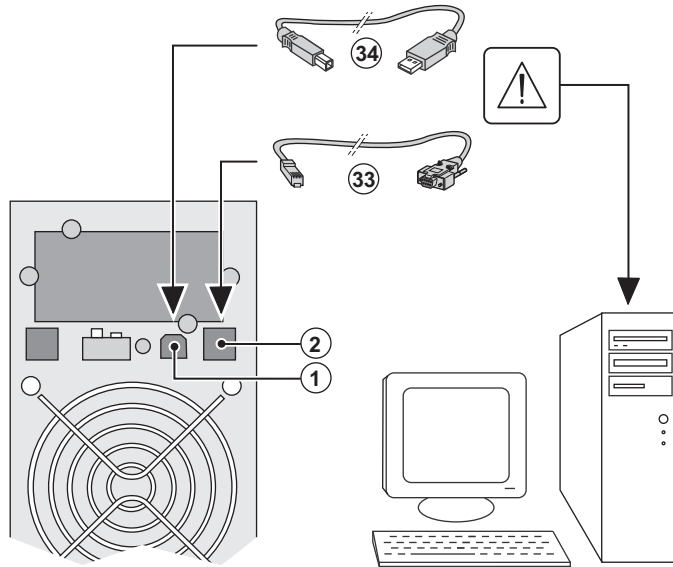
2. Aufstellung und Installation

2.4 Kommunikationsschnittstellen

Anschluss der RS232- bzw. der USB-Schnittstelle (wahlweise)



RS232- und USB-Schnittstelle können nicht gleichzeitig verwendet werden.

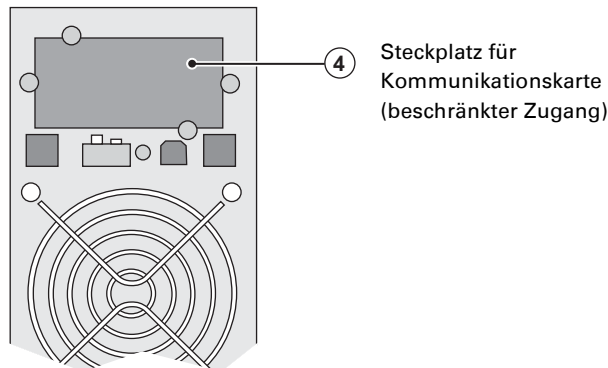


1 - Kabel (33) oder (34) an die RS232- bzw. USB-Schnittstelle des zu schützenden Rechnersystems anschließen.

2 - Das jeweils andere Ende des Kabels (34) oder (33) an die USB-Schnittstelle (1) bzw. den RS232-Port (2) der USV anschließen.

Die **USV** kann nun über verschiedene Softwarepakete von EATON mit dem angeschlossenen Rechnersystem kommunizieren (Überwachung, Konfiguration, Sicherheitsparameter).

Einbau der Kommunikationskarten (Option, Standard bei Netpack-Modellen)



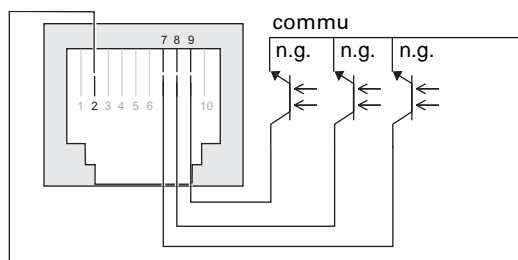
Die Kommunikationskarten können bei eingeschalteter USV installiert werden.

1 - Kartenfachabdeckung (4) an der USV-Rückseite abschrauben und herausnehmen.

2 - Kommunikationskarte in den entsprechenden Steckplatz einstecken.

3 - Abdeckung erneut anschrauben.

Anschlussbelegung der optionalen Kommunikationskarte



- ▶ Pin 1, 3, 4, 5, 6, 10: nicht verwendet
- ▶ Pin 2: gemeinsamer Rückleiter
- ▶ Pin 7: Vorwarnung Ende Batterieautonomie
- ▶ Pin 8: Batteriebetrieb
- ▶ Pin 9: Betrieb über USV

n.g. = normal geöffnet (Schließer).

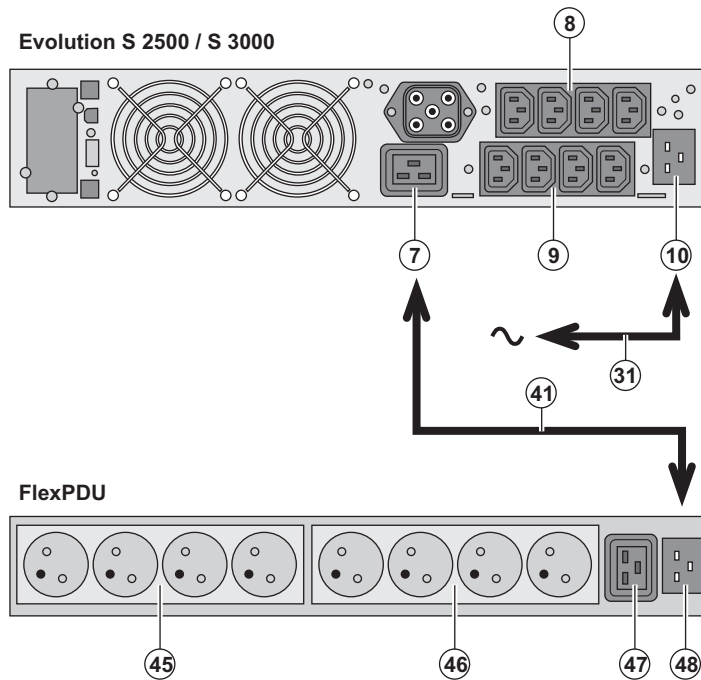
Bei Anliegen einer Information wird der Kontakt zwischen dem entsprechenden Pin und dem gemeinsamen Rückleiter (Pin 4) geschlossen.

Kennwerte der Kontakte (Optokoppler)

- ▶ Spannung: max. 48 V DC
- ▶ Strom: max. 25 mA
- ▶ Leistung: 1,2 W

2. Aufstellung und Installation

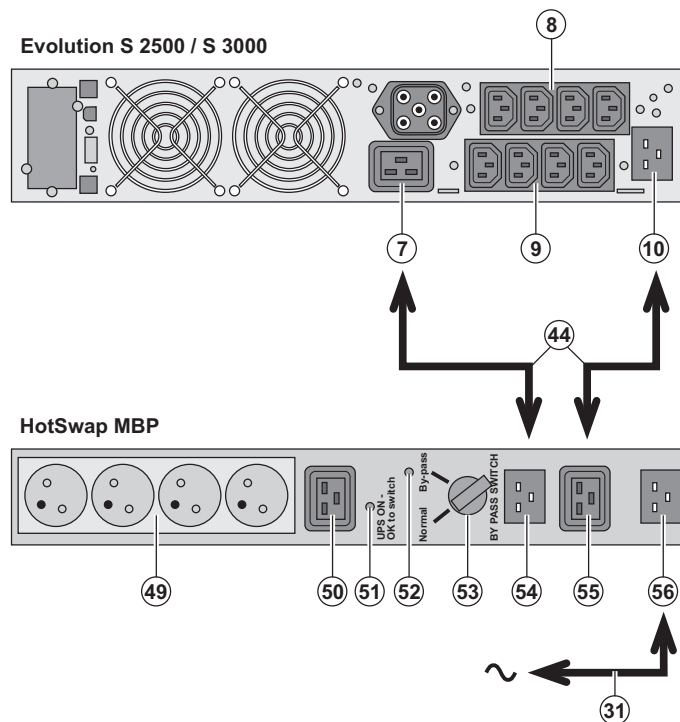
2.5 USV-Anschluss mit optionalem FlexPDU-Installationsverteiler (Power Distribution Unit)



- 1 - **Evolution S 2500 / S 3000:**
Eingangssteckdose (10) der USV über das mitgelieferte Netzkabel (31) mit dem Versorgungsnetz verbinden.
- Evolution S 1250 / S 1750 / 2000:**
Netzkabel des zu schützenden Gerätes verwenden.
- 2 - **Evolution S 2500 / S 3000:**
Eingangssteckdose (48) des **FlexPDU**-Moduls über das mitgelieferte Kabel (41) mit der Ausgangssteckdose (7) der USV verbinden.
- Evolution S 1250 / S 1750 / 2000:**
Eingangssteckdose (48) des **FlexPDU**-Moduls mit einer der Ausgangssteckdosen (9) der USV verbinden. Das Kabel und die genannten Steckdosen sind rot gekennzeichnet.
- 3 - Verbraucher an die Steckdosen (45), (46) und (47) des **FlexPDU**-Moduls anschließen. Die Steckdosen entsprechen je nach Ausführung des **FlexPDU**-Moduls unterschiedlichen Normen.
- 4 - Kabel mit Hilfe der Steckdosenabdeckungen sichern.

2.6 USV-Anschluss mit optionalem HotSwap-MBP-Modul

Das **HotSwap-MBP**-Modul ermöglicht die Wartung und ggf. den Austausch der USV, ohne die Spannungsversorgung der angeschlossenen Verbraucher unterbrechen zu müssen (**HotSwap**-Funktion).

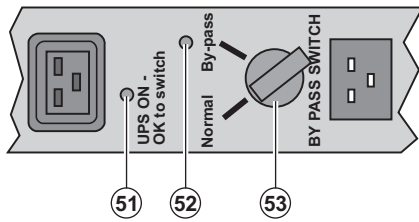


- 1 - Eingangssteckdose (56) des **HotSwap-MBP**-Moduls über das mitgelieferte Netzkabel (31) mit dem Versorgungsnetz verbinden.
 - 2 - Eingangssteckdose (10) der USV über das mitgelieferte Kabel (44) mit der Steckdose "UPS Input" (55) des **HotSwap-MBP**-Moduls verbinden. Diese Kabel und Steckdosen sind blau gekennzeichnet.
 - 3 - **Evolution S 2500 / S 3000:**
Ausgangssteckdose (7) der USV über das mitgelieferte Kabel (44) mit der Steckdose "UPS Output" (54) des **HotSwap-MBP**-Moduls verbinden.
 - Evolution S 1250 / S 1750 / 2000:** Eine der Ausgangssteckdosen (9) der USV mit der Steckdose "UPS Output" (54) des **HotSwap-MBP**-Moduls verbinden. Diese Kabel und Steckdosen sind rot gekennzeichnet.
 - 4 - Verbraucher an die Ausgangssteckdosen (49) und (50) des **HotSwap-MBP**-Moduls anschließen. Die Steckdosen entsprechen je nach Ausführung des **HotSwap-MBP**-Moduls unterschiedlichen Normen.
- Achtung: Verbraucher nicht an die Ausgangssteckdosen (8) und (9) der USV anschließen, da sonst bei Betätigung des Schalters (53) des HotSwap-MBP-Moduls die Versorgung der angeschlossenen Geräte unterbrochen wird.**



2. Aufstellung und Installation

Funktionsweise des HotSwap-MBP-Moduls



An der Rückseite des **HotSwap-MBP-Moduls** befindet sich ein Drehschalter (53) mit 2 Schaltstellungen:

Stellung Normal: Die Verbraucherversorgung erfolgt über die USV.

Stellung By-pass: Die Verbraucherversorgung erfolgt aus dem Einspeisenetz.

Einschalten der USV bei Verwendung des HotSwap-MBP-Moduls:

- 1 - Korrekten Anschluss der USV an das **HotSwap-MBP-Modul** überprüfen.
 - 2 - Drehschalter (53) in die Stellung "Normal" bringen.
 - 3 - USV durch Betätigung der EIN/AUS-Taste (24) an der Frontseite des Geräts einschalten.
- Die Verbraucher werden über die USV versorgt.
Die LED (51) "UPS ON - OK to switch" am **HotSwap-MBP-Modul** leuchtet auf.

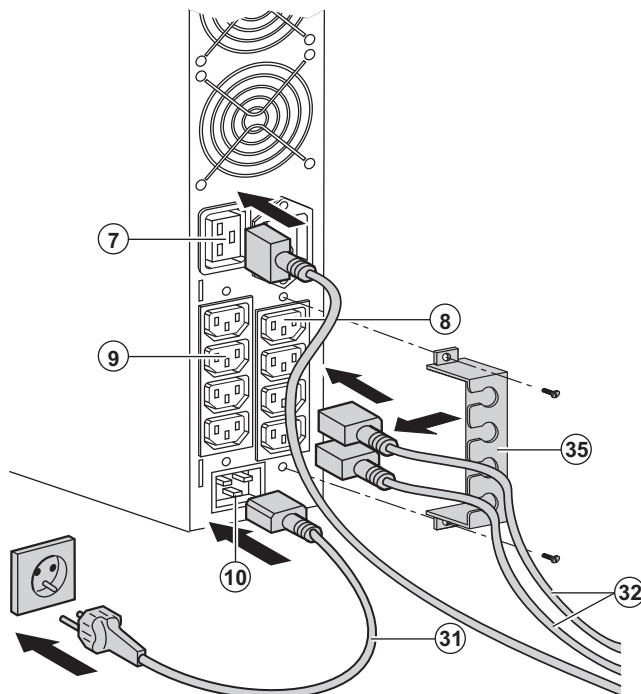
Funktionstest des HotSwap-MBP-Moduls.

- 1 - Schalter (53) in die Stellung "By-pass" bringen und überprüfen, dass die Verbraucher weiter versorgt werden.
- 2 - Drehschalter (53) erneut in die Stellung "Normal" zurückstellen.

2.7 USV-Anschluss ohne FlexPDU- und oder HotSwap-MBP-Modul



Kenndaten auf dem Typenschild (siehe Geräte-Rückseite) hinsichtlich Übereinstimmung mit den vorhandenen Netzparametern und der Leistungsaufnahme aller angeschlossenen Verbraucher überprüfen.



1 - Evolution S 1250 / S 1750 / 2000:

Eingangssteckdose (10) der USV über das Netzkabel des zu schützenden Gerätes mit dem Versorgungsnetz verbinden.

Evolution S 2500 / S 3000: Mitgeliefertes Netzkabel (31) (250V - 16A) in die Gerätesteckdose (10) der USV und dann in die Netzsteckdose einstecken.

2 - Verbraucher mit Hilfe der Anschlusskabel (32) an die USV anschließen.

Verbraucher mit hoher Priorität vorzugsweise an die 4 Steckdosen (9) und weniger wichtige Verbraucher an die 4 paarweise programmierbaren Steckdosen (8) (Gruppe 1/Gruppe 2) anschließen.

Bei den Modellen **Evolution S 2500 / S 3000** Verbraucher mit hoher Nennleistung an die 16A-Steckdose (7) anschließen.

Um den Abwurf der Steckdosen (8) im Batterietrieb zu programmieren und so die Nutzung der Autonomiereserve zu optimieren, wird die mitgelieferte USV-Software benötigt.

3 - Verriegelungsabdeckungen (35) für Verbraucher-Anschlusskabel anbringen.



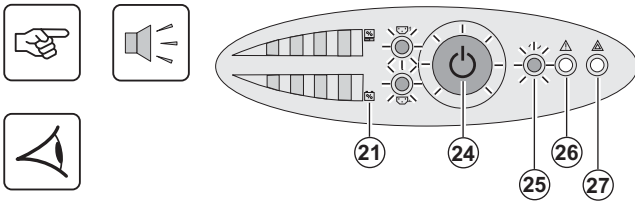
Hinweis: Die Aufladung der Batterie beginnt sofort nach dem Netzanschluss der USV, selbst wenn die EIN/AUS-Taste (24) noch nicht betätigt wurde.

Nach dem erstmaligen Netzanschluss der USV benötigt das Gerät eine Ladezeit von mindestens 8 Stunden, um die volle Autonomiezeit der Batterie zur Verfügung zu stellen.



3. Betriebszustände

3.1 Inbetriebnahme und Normalbetrieb



Taste (24) etwa 1 Sekunde lang drücken.

► Der Summer ertönt kurz, und sämtliche LEDs leuchten gleichzeitig auf.

►Einspeisenetz vorhanden: Die LED der EIN/AUS-Taste (24) und die LED (25) leuchten. Die Verbraucherversorgung erfolgt aus dem Einspeisenetz. Falls die Betriebsbedingungen dies zulassen, führt die USV einen Batterietest durch und zeigt dies durch die LEDs (21) sowie den Summer an.

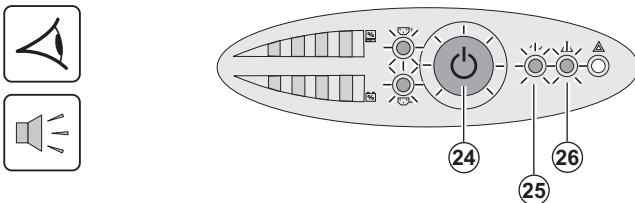
►Einspeisenetz nicht vorhanden: Die LED der EIN/AUS-Taste (24) und die LEDs (25) und (26) leuchten. Die Verbraucherversorgung erfolgt aus der Batterie über den Wechselrichter der USV.

Die angeschlossenen Verbraucher sind durch die USV geschützt.

Wenn LED (27) aufleuchtet, liegt eine Störung vor (siehe Abschnitt "Betriebsstörungen").

3.2 Batteriebetrieb

Umschaltung auf Batteriebetrieb



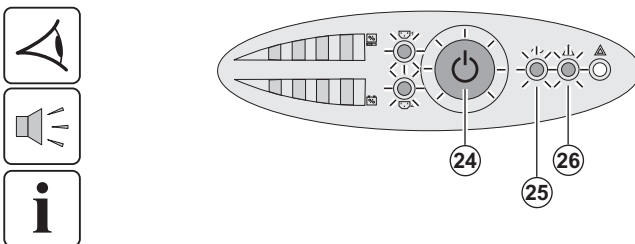
►Bei einem Netzausfall werden die angeschlossenen Verbraucher aus der Batterie weiter versorgt.

► Die LED der EIN/AUS-Taste (24) sowie die LEDs (25) und (26) leuchten auf.

► Der Summer ertönt alle 10 Sekunden.

Die angeschlossenen Verbraucher werden über die Batterie versorgt.

Voralarm "Ende der Autonomiezeit"



► Die LED der EIN/AUS-Taste (24) sowie die LEDs (25) und (26) leuchten.

► Der Summer ertönt alle 3 Sekunden.

Die verbleibende Autonomiezeit ist gering.

Schließen Sie alle Anwendungen, da die Abschaltung der USV kurz bevorsteht.

3. Betriebszustände

Abschaltung am Ende der Autonomiezeit



- ▶ Alle LEDs sind aus.
- ▶ Der Summer gibt keinen Ton ab.

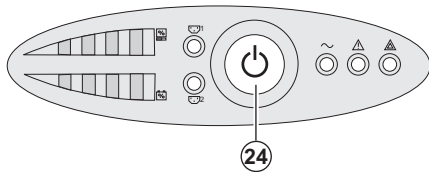


Die USV ist vollständig abgeschaltet.

3.3 Rückkehr der Netzspannung

Bei Netzzurückkehr nach einer Abschaltung erfolgt ein automatischer Neustart der USV, sofern die Funktion nicht durch kundenspezifische Anpassung deaktiviert wurde.

3.4 Abschaltung der USV



Taste (24) mehr als 2 Sekunden gedrückt halten.

Die an die USV angeschlossenen Systeme werden nicht mehr versorgt.

3.5 Verwendung der Fernbetätigungsfunktionen der USV

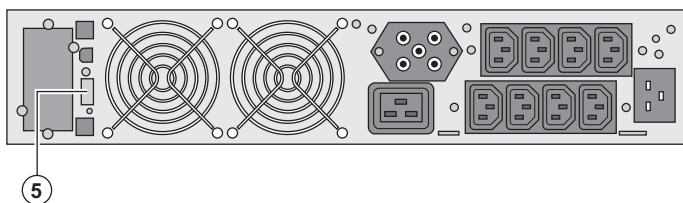
Evolution arbeitet wahlweise mit zwei Fernbetätigungsvorrichtungen.

▶ **RPO**: Fernabschaltung der USV (**R**emote **P**ower **O**ff), mit der alle an die USV angeschlossenen Verbraucher durch eine dezentrale Betätigung des Anwenders abgeschaltet werden können.

Das erneute Einschalten der USV muss manuell erfolgen.

▶ **ROO**: Fernbetätigtes Ein-/Ausschalten der USV (**R**emote **O**N/**O**FF). Diese Funktion erlaubt eine dezentrales Ein-/Ausschalten wie über die EIN/AUS-Taste (24).

Die Nutzung dieser Funktionen erfolgt über einen Kontakt, der an zwei entsprechende Klemmen des Steckverbinders (5) auf der USV-Rückseite angeschlossen wird (siehe nachstehende Abbildung).

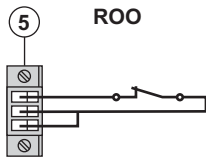


Anschluss und Test der Fernbetätigungsfunktionen



- 1 - Die USV muss abgeschaltet und vom Einspeisenetz getrennt sein.
- 2 - Schrauben des Steckverbinders (5) lösen und Steckverbinder abnehmen.
- 3 - Potentialfreien Schaltkontakt (Öffner, max. 60 VDC/30 VAC, max. 20mA, Leiterquerschnitt 0,75 mm²) an die beiden Kontaktstifte des Steckverbinders (5) anschließen (siehe Abbildung).

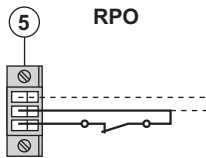
3. Betriebszustände



Kontakt geöffnet: Abschaltung der USV.

Kontakt geschlossen: Einschalten der USV (Voraussetzung: USV ist an das Netz angeschlossen und Netzspannung ist vorhanden).

Hinweis: Die EIN/AUS-Funktion (24) am Gerät ist vorrangig gegenüber der Fernbetätigung.



Kontakt geöffnet: Abschaltung der USV, LED (26) leuchtet auf.

Zur Rückkehr in den Normalbetrieb externen Fernabschaltkontakt zurücksetzen und USV mit der EIN/AUS-Taste (24) am Gerät wieder einschalten.

4 - Steckverbinder (5) wieder in seinen Steckplatz an der USV-Rückwand einstecken.

5 - USV wie oben beschrieben wieder anschließen und starten.

6 - Externen Fernabschaltkontakt betätigen, um Funktion zu testen.



Achtung: Der Steckverbinder darf ausschließlich an SELV-Stromkreise (Schutzkleinspannung) angeschlossen werden.

4. Kundenspezifische Anpassung über externe Software



- ▶ CD ROM **Solution-Pac** in das Laufwerk des Rechners einlegen.
 - ▶ Auf der ersten Seite des Auswahlmenus "Solution Schritt für Schritt" auswählen und Anweisungen befolgen, um die Software **Personal Solution-Pac** zu installieren.
 - ▶ Anschließend "Konfiguration" und danach "Erweiterte Konfiguration" und "USV-Einstellungen" auswählen.
- Achtung: In der Linux/Unix/MacOS-Version der Software **Personal Solution-Pac** steht diese Auswahloption nicht zur Verfügung.

Die Software bietet folgende Einstellmöglichkeiten (genauere Beschreibung siehe USV-Software **Personal Solution-Pac**):

Ausgangsgrößen

Funktion	Werksseitige Voreinstellung	Verfügbare Einstellungen
Ausgangsspannung bei Batteriebetrieb	230 Volt AC	200/208/220/240 Volt AC
Grenzwert Überlastmeldung	105%	30/50/70%

Einstellung der Spannungsgrenzwerte

Funktion	Werksseitige Voreinstellung	Verfügbare Einstellungen
Oberer Spannungsgrenzwert für Umschaltung auf Batterie	294 Volt AC	271 bis 294 Volt AC
Unterer Spannungsgrenzwert für Umschaltung auf Batterie	160 Volt AC	160 bis 180 Volt AC
Grenzwert für Einschaltung des Fader-Modus ¹	265 Volt AC	244 bis 265 Volt AC
Grenzwert für Einschaltung des Booster-Modus ¹	184 Volt AC	184 bis 207 Volt AC
Maximaler Eingangsspannungsbereich	Inaktiv	Aktiv ⁽¹⁾

(1) Unterer Grenzwert für Umschaltung auf Batteriebetrieb: 150V.

Ansprechempfindlichkeit der USV

Funktion	Werksseitige Voreinstellung	Verfügbare Einstellungen
Ansprechempfindlichkeit der USV	Normal	Hoch oder niedrig

Einstellung der EIN/AUS-Funktionen

Funktion	Werksseitige Voreinstellung	Verfügbare Einstellungen
Automatischer Neustart	Aktiv	Inaktiv
USV-Start im Batteriebetrieb	Aktiv	Inaktiv
Zwangsabschaltung	Aktiv	Inaktiv
Energiesparfunktion	Inaktiv	Aktiv
Ein-/Ausschalten der USV über Software	Aktiv	Inaktiv
Batterie-Ladezustand vor Neustart	0%	0 bis 100%

Batterie

Funktion	Werksseitige Voreinstellung	Verfügbare Einstellungen
Batterie-Testintervall	Einmal pro Woche	Kein Test / täglich / einmal pro Monat
Voralarm Ende der Autonomiezeit	20%	0 bis 100%
Tiefentladungsschutz	Aktiv	Inaktiv
Summer	Aktiv	Inaktiv
Batteriekapazität einschl. Erweiterungsmodule (nur Evolution S -Modelle)	Automatische Erfassung der vorhandenen Batteriemodule	25 bis 81Ah (abhängig vom Batterietyp)

5.1 Fehlerbehebung

	Fehleranzeige	Fehlerursache	Fehlerbehebung
1	Beim Einschalten der USV mit dem Ein/Aus-Taster (24) leuchten alle LEDs auf und der Summer ertönt kurz; anschließend erlischt LED (26) nicht wieder.	Die USV wurde durch den Fernbetätigungskontakt (RPO) abgeschaltet und lässt sich nicht wieder einschalten.	Fernbetätigungskontakt zurücksetzen und anschließend USV mit der EIN/AUS-Taste (24) erneut starten.
2	Die LED der EIN/AUS-Taste (24) sowie die LEDs (25) und (26) leuchten; sämtliche LEDs der Balkenanzeige (20) blinken.	Der Auslastungsgrad übersteigt den eingestellten Überlastwert oder die Ausgangsleistung der USV.	Leistungsaufnahme der angeschlossenen Systeme überprüfen und weniger wichtige Verbraucher abschalten. Eingestellten Überlastwert prüfen.
3	Die LED der EIN/AUS-Taste (24) und die LED (27) leuchten; sämtliche LEDs der Balkenanzeige (20) blinken.	Es ist eine kritische Überlast am USV-Ausgang aufgetreten. Bei Ausfall des Einspeisernetzes können die Verbraucher nicht aus der Batterie versorgt werden.	Leistungsaufnahme der angeschlossenen Systeme überprüfen und Verbraucher abschalten.
4	Die LED (27) leuchtet und sämtliche LEDs der Balkenanzeige (21) blinken.	Es wurde eine Batteriestörung festgestellt.	Batterie austauschen (siehe Abschnitt 5.2: "Austausch des Batteriemoduls").
5	Nur LED (27) leuchtet und der Summer erzeugt einen Dauerton.	Es liegt eine interne Betriebsstörung der USV vor, und die Versorgung der angeschlossenen Verbraucher ist unterbrochen.	Kundendienst verständigen.

Fehlerbehebung bei einer USV mit HotSwap-MBP-Modul



	Fehleranzeige	Fehlerursache	Fehlerbehebung
6	Die angeschlossenen Verbraucher werden nicht versorgt, wenn der Drehschalter (49) des HotSwap-MBP-Moduls in der Stellung "By-pass" steht.	<ul style="list-style-type: none"> ▶ Die Verbraucher sind an den Ausgang der USV anstatt an das HotSwap MBP-Modul angeschlossen. ▶ Das Netzkabel ist an den USV-Eingang anstatt an das HotSwap-MBP-Modul angeschlossen. 	Anschlussverbindungen zwischen USV und HotSwap-MBP-Modul überprüfen (siehe Abschnitt 2.6).
7	Die angeschlossenen Verbraucher werden nicht versorgt, wenn der Drehschalter (49) des HotSwap-MBP-Moduls in der Stellung "Normal" steht.	<ul style="list-style-type: none"> ▶ Die USV ist ausgeschaltet. ▶ Die Anschlussverbindungen zwischen USV und HotSwap-MBP-Modul sind fehlerhaft. 	<ul style="list-style-type: none"> ▶ USV einschalten. ▶ Anschlussverbindungen zwischen USV und HotSwap-MBP-Modul überprüfen (siehe Abschnitt 2.6).
8	Die angeschlossenen Verbraucher werden bei Netzausfall nicht weiter versorgt.	<ul style="list-style-type: none"> ▶ Der Drehschalter (49) des HotSwap-MBP-Moduls steht in Stellung "By-pass". ▶ Die Anschlussverbindungen zwischen USV und HotSwap-MBP-Modul sind fehlerhaft. 	<ul style="list-style-type: none"> ▶ Drehschalter (49) des HotSwap-MBP-Moduls in Stellung "Normal" bringen. ▶ Anschlussverbindungen zwischen USV und HotSwap-MBP-Modul überprüfen (siehe Abschnitt 2.6).

Bei Störungen mit Abschaltung der USV nach Behebung des Fehlers erneut EIN/AUS-Taste (24) betätigen.

5. Wartung und Service

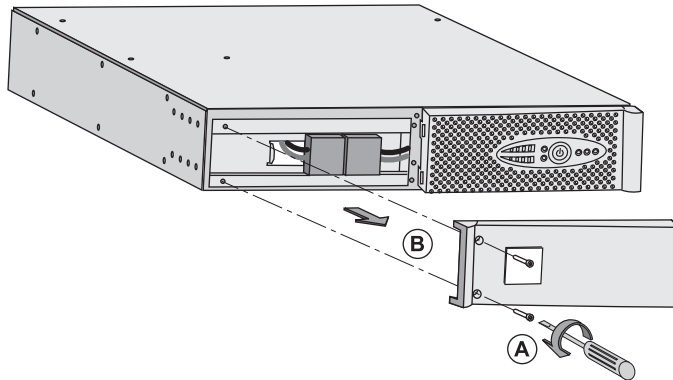
5.2 Austausch des Batteriemoduls

Sicherheitsmaßnahmen:

Die Batterie hat einen hohen Kurzschlussstrom und kann Stromschläge verursachen. Bei jeder Handhabung der Batterien sind daher folgende Sicherheitsmaßnahmen einzuhalten:

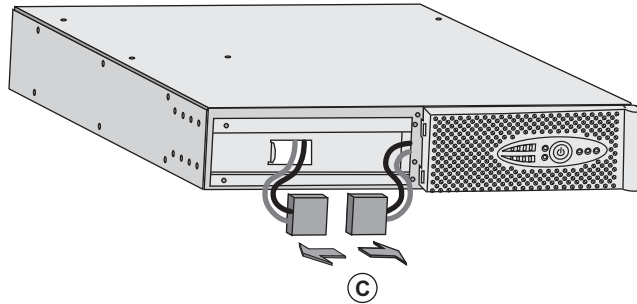
- › Armbanduhren, Ringe, Armreifen und sonstige an Händen oder Armen getragene Metallgegenstände abnehmen.
- › Werkzeuge mit Isoliergriff verwenden.

Ausbau des Batteriemoduls

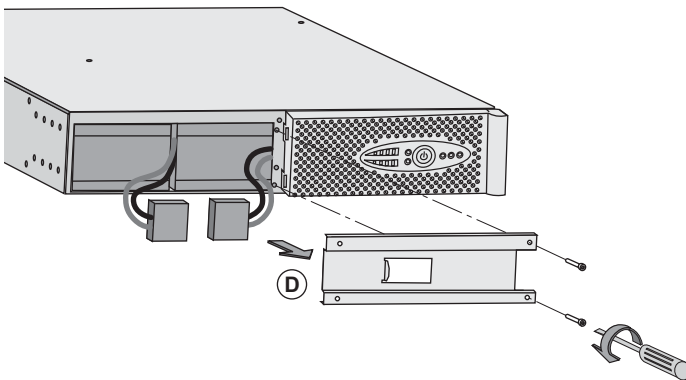


A - Linken Teil des Frontblechs lösen (2 Schrauben).

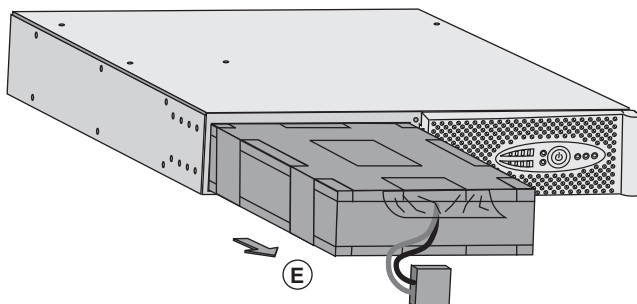
B - Blech abnehmen.



C - Batteriemodul durch Lösen der 2 Steckverbinder abklemmen (nicht an den Kabeln ziehen!)



D - Batterie-Schutzabdeckung entfernen (2 Schrauben).



E - Batteriemodul durch Greifen der Kunststoffflasche herausziehen und durch neues ersetzen.

5. Wartung und Service

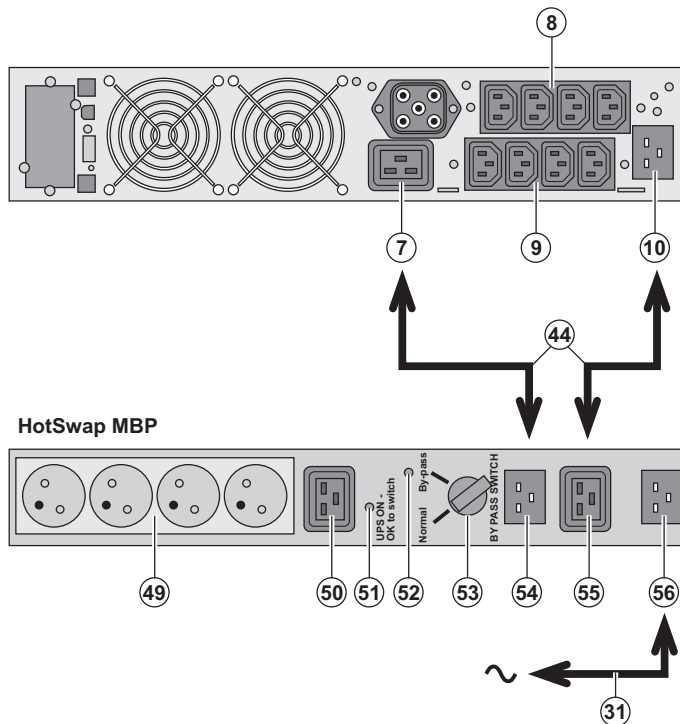
Einbau des neuen Batteriemoduls

Die oben beschriebenen Handgriffe in umgekehrter Reihenfolge ausführen.



- Zur Gewährleistung der Sicherheit und des Betriebsverhaltens dürfen nur Austauschmodule verwendet werden, die mit den eingebauten Batterien baugleich sind.
- Es ist sicherzustellen, dass der Batteriestecker vollständig in die zugehörige Buchse des Steckverbinders eingesteckt ist.

5.3 Wartung und Service bei USV-Anlagen mit HotSwap-MBP-Modul



Das **HotSwap-MBP**-Modul ermöglicht die Wartung und ggf. den Austausch der USV, ohne die Spannungsversorgung der angeschlossenen Verbraucher unterbrechen zu müssen (**HotSwap**-Funktion).

Wartung:

- 1 - Drehschalter (**53**) in die Stellung "By-pass" bringen. Die rote LED des **HotSwap-MBP**-Moduls leuchtet auf und zeigt an, dass die angeschlossenen Verbraucher direkt aus dem Netz versorgt werden.
- 2 - USV durch Betätigung der EIN/AUS-Taste (**24**) an der Frontseite des Gerätes ausschalten. Die LED (**51**) "UPS ON - OK to switch" erlischt; anschließend kann die USV abgeklemmt und ausgetauscht werden.

Rückkehr in Normalbetrieb:

- 1 - Korrekten Anschluss der USV an das **HotSwap-MBP**-Modul überprüfen.
- 2 - USV durch Betätigung der EIN/AUS-Taste (**24**) an der Frontseite des Gerätes einschalten. Die LED (**51**) "UPS ON - OK to switch" am **HotSwap-MBP**-Modul leuchtet auf (andernfalls liegt ein Anschlussfehler zwischen USV und **HotSwap-MBP**-Modul vor).
- 3 - Drehschalter (**53**) in die Stellung "Normal" bringen; die rote LED am **HotSwap-MBP**-Modul erlischt.

5.4 Trainingscenter

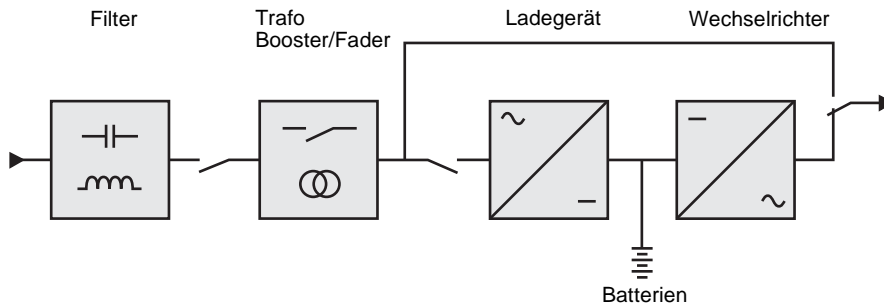


Um Ihnen eine optimale Betriebsführung Ihrer Anlage sowie eine kompetente Fehleranalyse und -behebung zu ermöglichen, bietet EATON umfangreiche Kundens Schulungen in englischer und französischer Sprache an.

For further information, please visit our website: www.eaton.com

6. Anhang

6.1 Technische Daten



	Evolution S 1250	Evolution S 1750	Evolution 2000	Evolution S 2500	Evolution S 3000
Ausgangsleistung	1250VA/1150W	1750VA/1600W	2000VA/1600W	2500VA/2250W	3000VA/2700W
Einspeisernetz <ul style="list-style-type: none"> ▶ Eingangsspannung ▶ Eingangsspannungsbereich ▶ Eingangsfrequenzbereich 	Einphasennetz 220~240 V 160 - 294 V ⁽¹⁾ 47 - 70 Hz (50-Hz-Netz) bzw. 56,5 - 70 Hz (60-Hz-Netz) ⁽²⁾				
USV-Ausgang (Batteriebetrieb) <ul style="list-style-type: none"> ▶ Spannung ▶ Frequenz 	230 V (+6/-10%) ⁽³⁾ 50/60 Hz ±0,1%				
Batterie (verschlossene wartungsfreie Bleibatterien) <ul style="list-style-type: none"> ▶ Standardbatterie 	4 x 12 V 7,2 Ah	4 x 12 V - 9 Ah		6 x 12 V 7,2 Ah	6 x 12 V 9 Ah
▶ Optionale Erweiterungsmodule (bis zu 4 EXB-Module)	Evolution S EXB 1250/1750 ⁽⁴⁾		Nein	Evolution EXB S 2500/3000 ⁽⁵⁾	
Umgebungsbedingungen <ul style="list-style-type: none"> ▶ Umgebungstemperatur ▶ Lagertemperatur ▶ Luftfeuchtigkeit 	0 °C bis 40°C -25°C bis 40°C 20 bis 90 % ohne Kondensation				
▶ Geräuschpegel	< 45 dBA			< 50 dBA	

(1) Oberer und unterer Grenzwert über Software **Personal Solution-Pac** einstellbar.

(2) Bis 40 Hz bei niedriger Ansprechempfindlichkeit der USV (einstellbar über USV-Software **Personal Solution-Pac**).

(3) Einstellbar auf 200V (Verringerung der Nennleistung um 10 %) / 208V / 220V / 230V / 240V.

(4) Batterie **Evolution S EXB 1250/1750**: 2 Gruppen mit 4 x 12V / 9Ah.

(5) Batterie **Evolution S EXB 2500/3000**: 2 Gruppen mit 6 x 12V / 9Ah.

6.2 Fachbegriffe

Auslastungsgrad	Verhältnis der durch die angeschlossenen Verbraucher aufgenommenen Leistung zur verfügbaren USV-Leistung.
Autonomiezeit	Zur Versorgung der Verbraucher nutzbare Batteriekapazität.
Batterietest	Interne Überprüfung der Batterie zur Feststellung ihres Betriebszustands.
"Booster"-Modus	Automatische Betriebsart der USV, mit deren Hilfe eine zu geringe Netzspannung ohne Inanspruchnahme der Batterie um einen einstellbaren Wert angehoben werden kann.
"Fader"-Modus	Automatische Betriebsart der USV, mit deren Hilfe eine zu hohe Netzspannung ohne Inanspruchnahme der Batterie um einen einstellbaren Wert abgesenkt werden kann.
FlexPDU	Mit der USV verbundener Installationsverteiler zur Montage in einem Baugruppenträger. Es gibt mehrere Ausführungen des Verteilers mit unterschiedlichen Normsteckdosen.
HotSwap MBP	Modul zur manuellen Umgehung der USV zu Wartungszwecken. Es gibt mehrere Ausführungen des Hotswap-MBP-Moduls mit unterschiedlichen Normsteckdosen.
Kundenspezifische Anpassung	Programmierung bestimmter Kenndaten durch Änderung der werksseitigen Voreinstellungen. Einige Einstellungen können über die USV-Software Personal Solution-Pac von EATON vorgenommen werden.
Netz 2 (Bypass)	Ersatzeinspeisung, die eine Umgehung des Wechselrichters durch Umschaltung auf den NRE-Zweig im Überlastfall sowie eine Freischaltung bei Wartung oder Störung der USV erlaubt.
Netz 1 (Gleichrichter)	Normales Einspeisenetz der USV.
Programmierbare Steckdosen	Steckdosen, die bei Batteriebetrieb automatisch abgeworfen werden können (Abwurfverzögerung über Software Personal Solution-Pac einstellbar).
Start im Batteriebetrieb	Betriebsart, die ein Einschalten der an die USV angeschlossenen Verbraucher bei fehlender Netzeinspeisung erlaubt (USV arbeitet im Batteriebetrieb).
Tiefentladung	Entladung der Batterie unter einen zulässigen Grenzwert, die eine dauerhafte Schädigung der Batterie zur Folge hat.
USV	Unterbrechungsfreie Stromversorgung.
USV-Start/Stop über Software	Aktivierung/Deaktivierung von Start/Stop-Bedingungen für die USV über die USV-Managementsoftware der angeschlossenen Rechnersysteme.
Verbraucher	An die USV angeschlossene Geräte.
Voralarm "Ende der Autonomiezeit"	Grenzwert der Batteriespannung, der das bevorstehende Ende der Autonomiezeit anzeigt, so dass entsprechende Maßnahmen auf Verbraucherseite getroffen werden können.

Evolution

S 1250 RT 2U

S 1750 RT 2U

2000 RT 2U

S 2500 RT 2U

S 3000 RT 2U

S 3000 RT 3U

S EXB 1250/1750 RT 2U

S EXB 2500/3000 RT 2U

S EXB 2500/3000 RT 3U

Manuale d'installazione e
d'utilizzazione



Pulsar Series

EATON

Powering Business Worldwide

Grazie per aver scelto un prodotto EATON per la sicurezza delle vostre applicazioni.

La gamma **Evolution** è stata elaborata con la più grande cura.

Per sfruttare nel modo migliore le performance del vostro **UPS** (gruppo di continuità), vi consigliamo di leggere attentamente questo manuale.

Prima di installare **Evolution**, leggere attentamente il libretto contenente le norme di sicurezza da rispettare. Leggere quindi le istruzioni del presente manuale.

Vi invitiamo a scoprire l'offerta della EATON, come pure le opzioni della gamma **Evolution** visitando il nostro sito WEB: www.eaton.com o contattando il vostro rappresentante EATON.

Tutela dell'ambiente

La società EATON si è impegnata in una politica di protezione e preservazione dell'ambiente.

I nostri prodotti sono sviluppati secondo un metodo di concezione che tiene conto del problema ecologico.

Sostanze

Questo prodotto non contiene né CFC, né HCFC, né amianto.

Imballaggio


Per migliorare il trattamento dei rifiuti e facilitarne il riciclaggio, separare gli elementi dell'imballo.

► Il cartone è composto da più di un 50% di cartone riciclato.

► I sacchetti e i sacchi sono in polietilene.

► I materiali che costituiscono l'imballo sono riciclabili e sono marcati con simbolo d'identificazione



Materiali	Abbreviazione	Numero nel simbolo 
Polietilene teraftalato	PET	01
Polietilene ad alta densità	HDPE	02
Cloruro di polivinile	PVC	03
Polietilene a bassa densità	LDPE	04
Polipropilene	PP	05
Polistirene	PS	06

Per l'eliminazione dell'imballo, seguire le regolamentazioni locali in vigore.

Fine della vita utile

La società EATON si è impegnata a trattare i prodotti in fin di vita secondo le regolamentazioni locali.

La società EATON lavora con società che si incaricano della raccolta e dell'eliminazione dei nostri prodotti in fin di vita.

Prodotto

Il prodotto è composto da materiali riciclabili.

Lo smantellamento e la distruzione dei prodotti devono avvenire nel rispetto della regolamentazione locale in vigore per i rifiuti.

I prodotti in fin di vita devono essere depositati in un centro per il trattamento dei rifiuti elettrici ed elettronici.

Batteria

Il prodotto contiene delle batterie al piombo che devono essere trattate secondo le regolamentazioni locali in vigore per le batterie.

Per seguire queste regolamentazioni ed eliminare la batteria in modo pulito, è possibile estrarla dal prodotto.

Introduzione

Pittogrammi utilizzati



Istruzioni da seguire tassativamente.



Informazioni, consigli, guida.



Indicazione visiva da osservare.



Azione da eseguire.



Segnalazione acustica.

Le convenzioni adottate per rappresentare le spie all'interno delle illustrazioni sono le seguenti:



Spia spenta.



Spia accesa.



Spia lampeggiante.

1. Presentazione	
1.1 Posizioni standard	6
Posizione tower.....	6
Posizione rack	6
1.2 Vista posteriore	7
Evolution 2500 / 3000	7
Evolution 1250 / 1750 / 2000	7
Evolution EXB (modulo batteria opzionale).....	7
1.3 Pannello di visualizzazione e di comando	7
2. Installazione	
2.1 Apertura dell'imballaggio e verifica del contenuto	8
2.2 Installazione nella posizione tower	9
2.3 Installazione nella posizione rack	9
2.4 Porte di comunicazione	10
Raccordo della porta di comunicazione RS232 o USB (facoltativa).....	10
Installazione delle schede di comunicazione (opzione)	10
Caratteristiche della porta di comunicazione tramite contatti (opzione)	10
2.5 Raccordi con un modulo FlexPDU (Power Distribution Unit)	11
2.6 Raccordi con un modulo HotSwap MBP	11
Funzionamento del modulo HotSwap MBP	12
2.7 Raccordo di un UPS privo di modulo FlexPDU o HotSwap MBP	12
3. Utilizzo	
3.1 Messa in servizio e funzionamento normale	13
3.2 Funzionamento su batteria	13
3.3 Ritorno della rete elettrica	14
3.4 Arresto dell'UPS	14
3.5 Utilizzo delle funzioni di controllo remoto dell'UPS	14
4. Personalizzazione tramite software esterno	16
5. Manutenzione	
5.1 Riparazione dei guasti	17
Anomalie su un UPS dotato di modulo HotSwap MBP	17
5.2 Sostituzione del modulo batteria	18
Richiamo sulle istruzioni di sicurezza	18
Smontaggio del modulo batteria	18
Rimontaggio del nuovo modulo batteria	19
5.3 Manutenzione di un UPS dotato di modulo HotSwap MBP	19
5.4 Centro di formazione	19
6. Allegati	
6.1 Specifiche tecniche	20
6.2 Glossario	21

1. Presentazione

1.1 Posizioni standard

Posizione tower

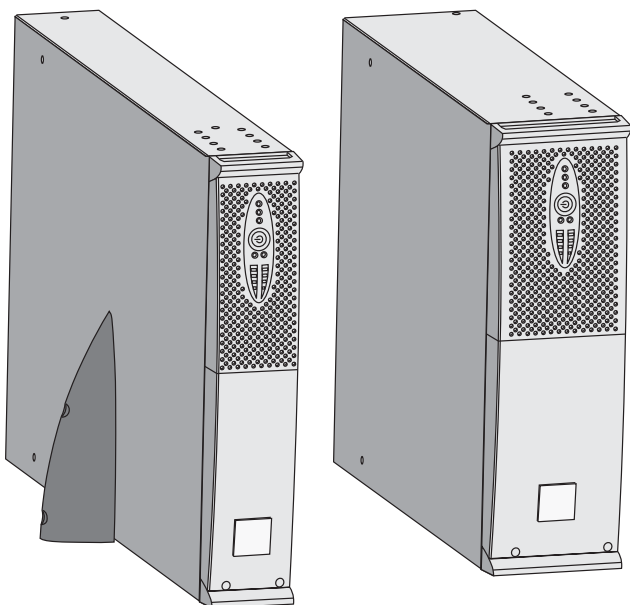
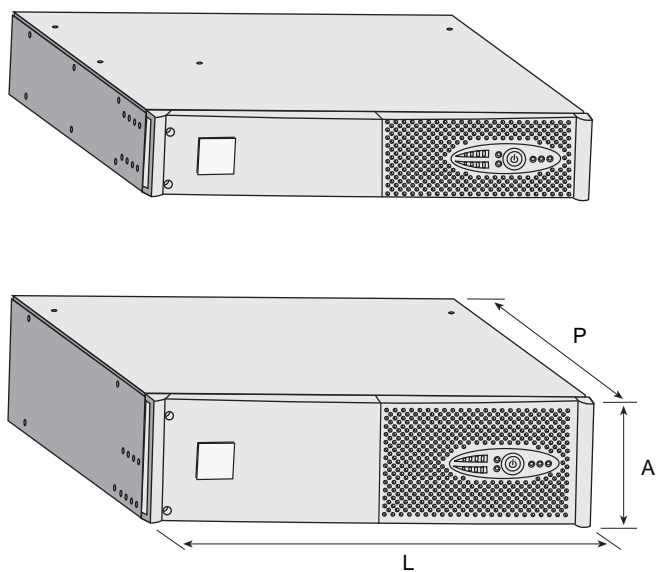


Tabella delle dimensioni (A x L x P) in mm	
S 1250 RT 2U S 1750 RT 2U 2000 RT 2U	440 x 86 x 509
S 2500 RT 2U S 3000 RT 2U	440 x 86 x 634
S 3000 RT 3U	440 x 131 x 484
S EXB 1250/1750 RT 2U	440 x 86 x 509
S EXB 2500/3000 RT 2U	440 x 86 x 634
S EXB 2500/3000 RT 3U	440 x 131 x 484

Tabella dei pesi in kg	
S 1250 RT 2U	24,3
S 1750 RT 2U	26,6
2000 RT 2U	25,7
S 2500 RT 2U	33,8
S 3000 RT 2U	33,8
S 3000 RT 3U	34,3
S EXB 1250/1750 RT 2U	30,4
S EXB 2500/3000 RT 2U	41,5
S EXB 2500/3000 RT 3U	41,7

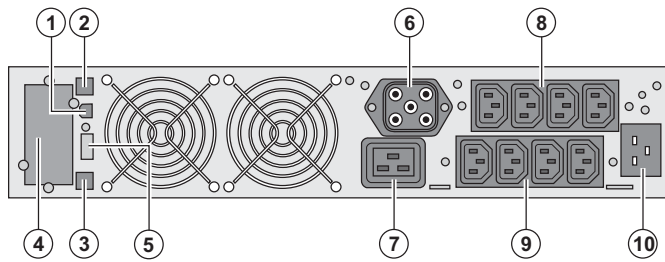
Posizione rack



1. Presentazione

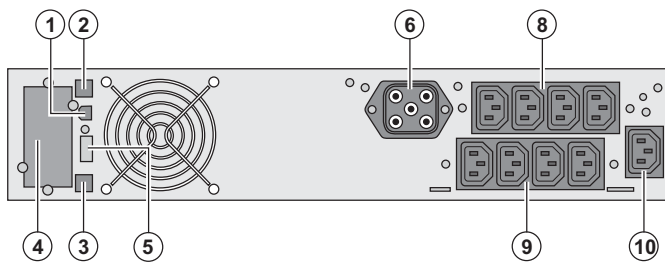
1.2 Vista posteriore

Evolution S 2500 / S 3000

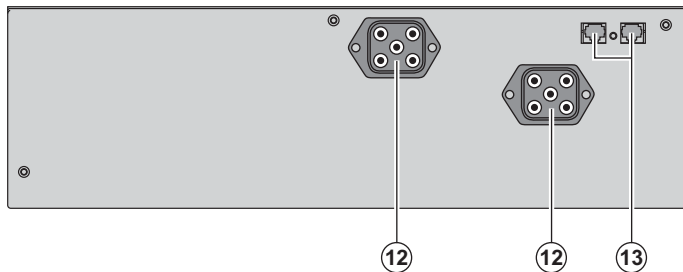


- (1) Porta di comunicazione USB
- (2) Porta di comunicazione RS232
- (3) Connettore di riconoscimento automatico di un modulo batteria supplementare
- (4) Sede per una scheda di comunicazione opzionale.
- (5) Connettore per il raccordo di un comando Avvio/Arresto a distanza o di un arresto di emergenza.
- (6) Connettore per il raccordo di un modulo batteria supplementare (tranne Evolution 2000)
- (7) Presa 16A per il raccordo diretto degli impianti
- (8) 2 gruppi di 2 prese programmabili per il raccordo diretto degli impianti
- (9) Gruppo di 4 prese per il raccordo diretto degli impianti
- (10) Presa per il raccordo alla rete elettrica di alimentazione

Evolution S 1250 / S 1750 / 2000

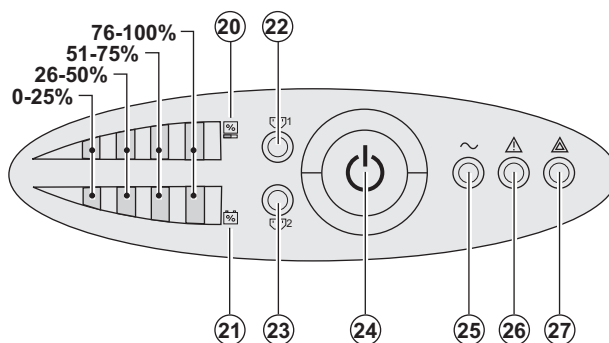


Evolution S EXB (modulo batteria opzionale)



- (12) Connettori per il raccordo dei moduli batteria (verso l'UPS o verso gli altri moduli batteria)
- (13) Connettori di riconoscimento automatico dei moduli batteria

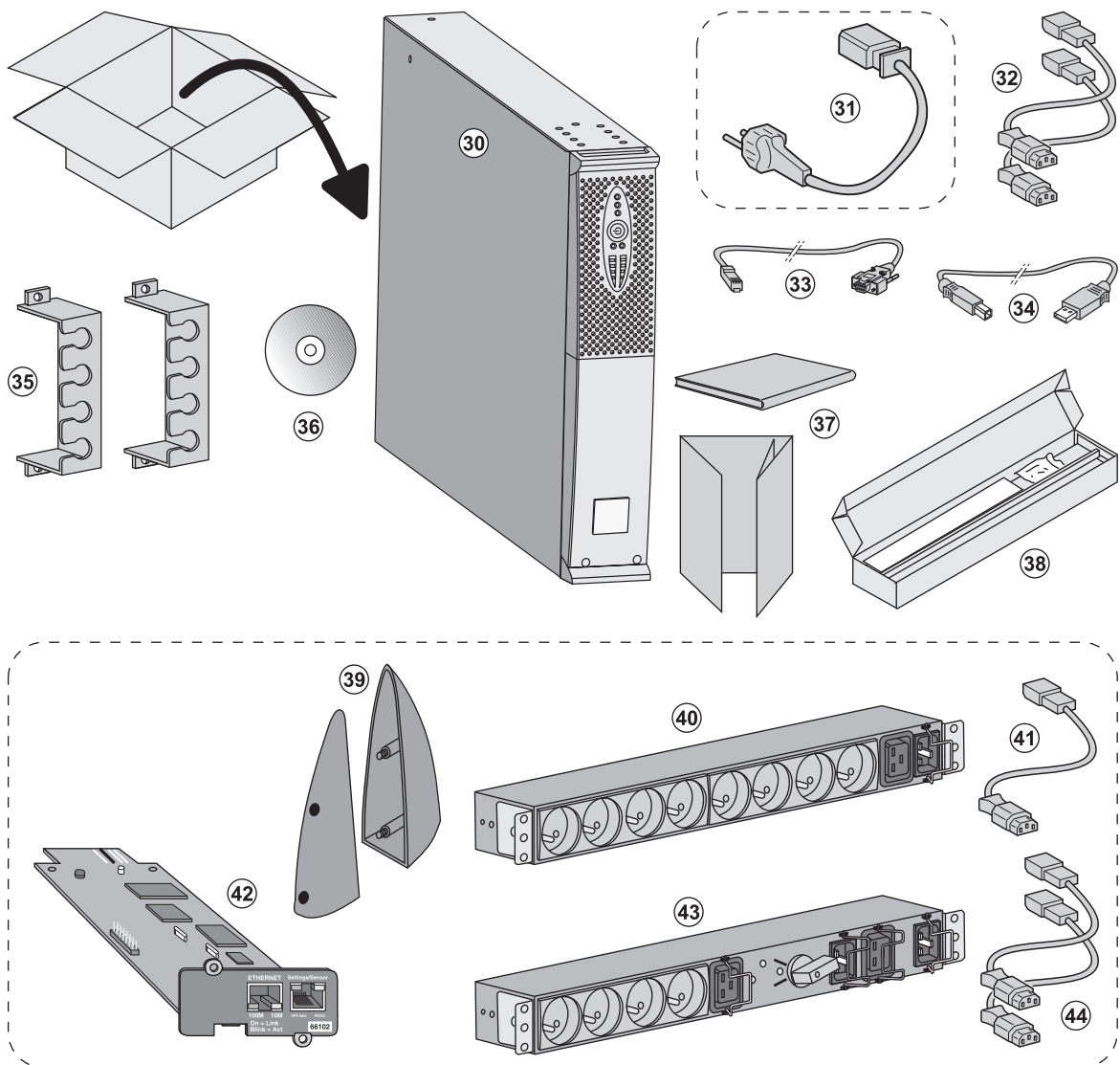
1.3 Pannello di visualizzazione e di comando



- (20) Indicatore a barre del livello di potenza assorbita in uscita
- (21) Indicatore a barre del livello di carica della batteria
- (22) Prese programmabili 1 alimentate
- (23) Prese programmabili 2 alimentate
- (24) Pulsante luminoso Avvio/Arresto (ON/OFF) delle prese di uscita
- (25) Spia impianti protetti
- (26) Spia di funzionamento deteriorato
- (27) Spia impianti non protetti

2. Installazione

2.1 Apertura dell'imbballaggio e verifica del contenuto



(30) UPS Evolution.

(31) Cavo di raccordo alla rete elettrica (solo modelli **Evolution S 2500** e **S 3000**).

(32) 2 cavi per collegare gli impianti.

(33) Cavo di comunicazione RS232.

(34) Cavo di comunicazione USB.

(35) 2 sistemi di fissaggio dei cavi di alimentazione degli impianti.

(36) CD-ROM **Solution-Pac**.

(37) Documentazione.

(38) Kit di montaggio all'interno di un armadio rack 19 pollici.

Componenti forniti solo in alcune versioni o come opzione:

(39) 2 piedini di sostegno in posizione verticale (solo versione RT 2U).

(40) Modulo **FlexPDU** (opzione).

(41) Cavo di raccordo del modulo **FlexPDU** all'UPS.

(42) Scheda di comunicazione **NMC** (opzione, in versione standard sui modelli Netpack).

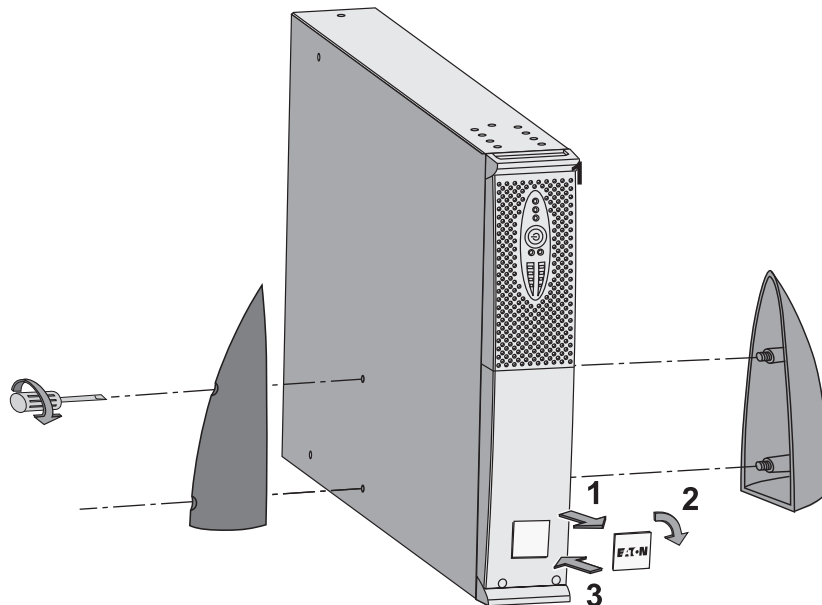
(43) Modulo **HotSwap MBP** (opzione).

(44) Cavi di raccordo del modulo **HotSwap MBP** all'UPS.



Gli imballi devono essere eliminati nel rispetto della regolamentazione in vigore per i rifiuti. Per facilitarne il trattamento differenziato, i vari materiali recano appositi simboli di riciclaggio.

2.2 Installazione nella posizione tower



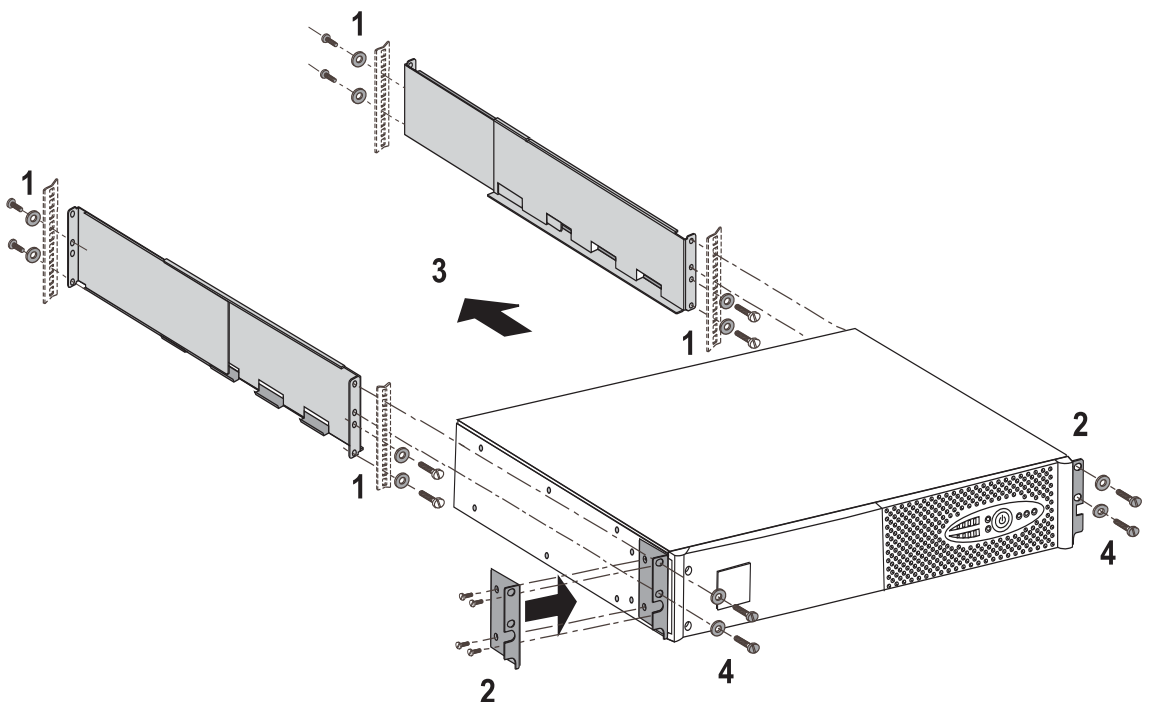
Nota: i piedini di sostegno in posizione verticale sono utilizzati unicamente sui modelli RT 2U.

2.3 Installazione nella posizione rack

Si raccomanda di montare inizialmente il modulo batteria, quindi di montare sopra questo il modulo di potenza.



Per il montaggio del modulo sulle guide, seguire i passaggi da 1 a 4.



Le guide e il materiale necessario per il montaggio sono forniti da EATON.

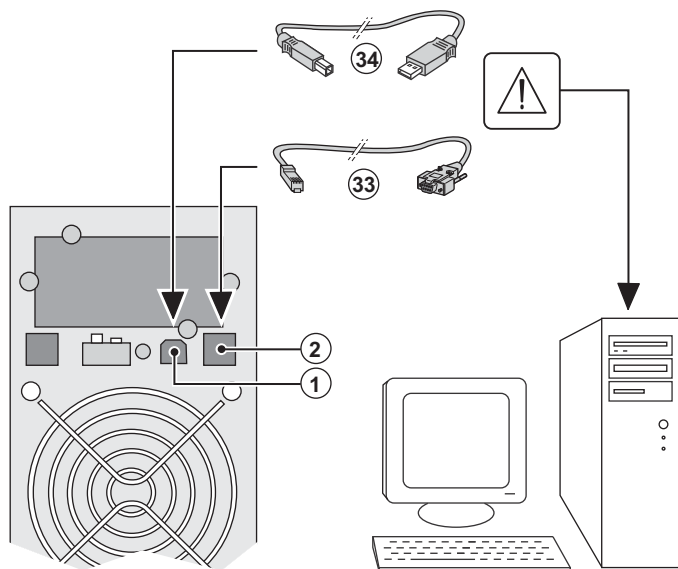
2. Installazione

2.4 Porte di comunicazione

Raccordo della porta di comunicazione RS232 o USB (facoltativa)



La porta di comunicazione RS232 e la porta di comunicazione USB non possono funzionare contemporaneamente.

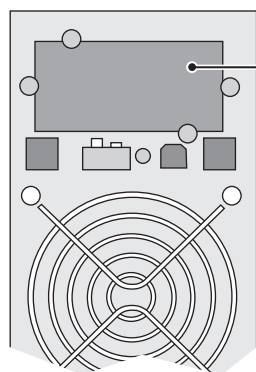


1 – Collegare il cavo di comunicazione RS 232 (33) o USB (34) alla porta seriale o USB dell'apparecchiatura informatica.

2 – Collegare l'altra estremità del cavo di comunicazione (33) o (34) alla porta di comunicazione USB (1) o RS232 (2) dell'UPS.

L'UPS è ora in grado di dialogare con un software di amministrazione, di configurazione o di sicurezza EATON.

Installazione delle schede di comunicazione (opzione, di serie per le versioni Netpack)



4 Posizione della scheda di comunicazione (accesso ristretto).

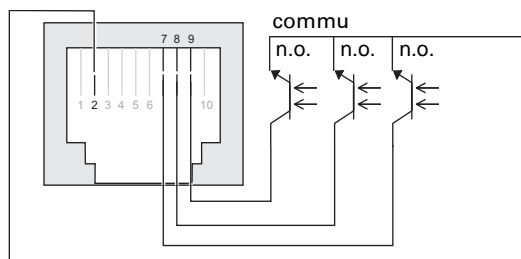
Non è necessario arrestare il funzionamento dell'UPS per installare una scheda di comunicazione:

1 – Rimuovere la piastra di copertura (4) dell'UPS fissata tramite viti.

2 – Inserire la scheda di comunicazione all'interno dell'apposito alloggiamento.

3 – Fissare la piastra della scheda con le apposite viti.

Caratteristiche della porta di comunicazione tramite contatti (opzione)



- ▶ Pin 1, 3, 4, 5, 6, 10: non utilizzati
- ▶ Pin 2: comune utente
- ▶ Pin 7: batteria scarsa
- ▶ Pin 8: ASI in funzione, impianti alimentati
- ▶ Pin 9: funzionamento su batteria.

n.a.: contatto normalmente aperto

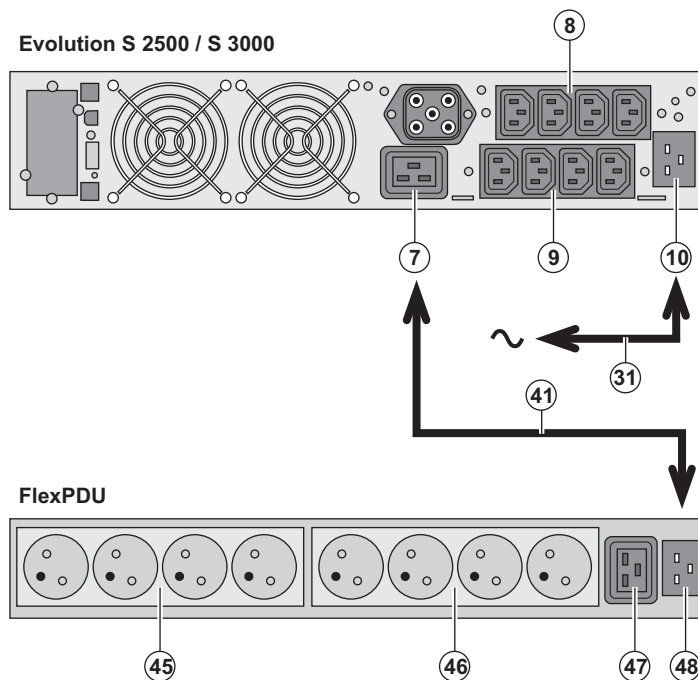
In presenza di informazione attiva, si chiude il contatto tra il pin comune 4 e il pin dell'informazione corrispondente.

Caratteristiche dei contatti (optoaccoppiatori)

- ▶ Tensione: 48 V DC max
- ▶ Corrente: 25 mA max
- ▶ Potenza: 1,2 W

2. Installazione

2.5 Raccordi con un modulo FlexPDU (Power Distribution Unit) (Opzione)



1 - **Evolution S 2500 / S 3000**: collegare la presa d'entrata (10) dell'UPS alla rete elettrica mediante il cavo (31) fornito.

Evolution S 1250 / S 1750 / 2000: utilizzare il cavo di alimentazione dell'impianto da proteggere.

2 - **Evolution S 2500 / S 3000**: collegare la presa d'entrata della rete elettrica del modulo **FlexPDU (48)** alla presa di uscita (7) dell'UPS mediante il cavo (41) fornito.

Evolution S 1250 / S 1750 / 2000: collegare la presa d'entrata della rete elettrica del modulo **FlexPDU (48)** a una delle prese (9) di uscita.

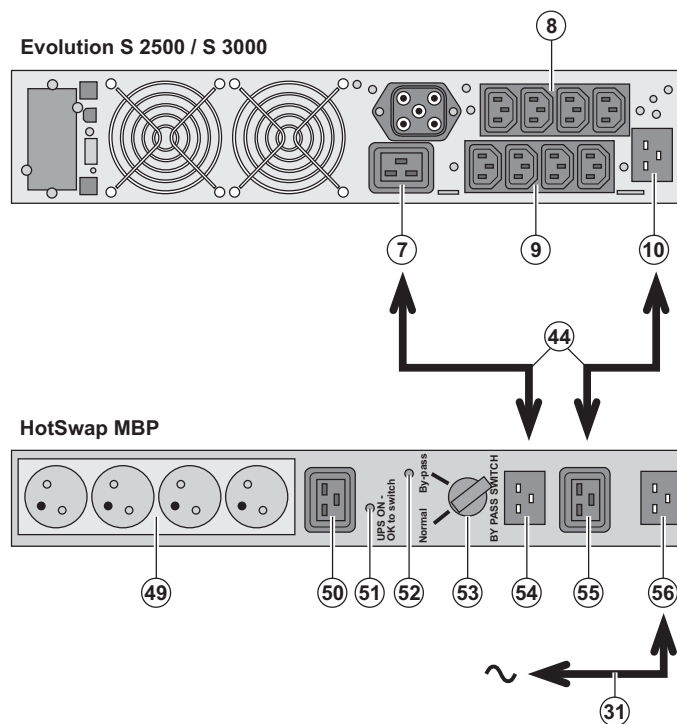
Questo cavo e queste prese sono contrassegnati in colore rosso.

3 - Collegare gli impianti alle prese (45), (46) e (47) del modulo **FlexPDU**. Queste prese variano a seconda della versione del modulo **FlexPDU**.

4 - Bloccare i cavi in posizione con le flange metalliche delle prese.

2.6 Raccordi con un modulo HotSwap MBP (Opzione)

La funzione del modulo **HotSwap MBP** è quella di consentire la manutenzione ed eventualmente la sostituzione dell'UPS senza interferire sull'alimentazione elettrica delle apparecchiature collegate (funzione **HotSwap**).



1 - Collegare la presa d'entrata (56) del modulo **HotSwap MBP** alla rete elettrica mediante il cavo (31) fornito.

2 - Collegare la presa d'entrata della rete elettrica dell'UPS (10) alla presa "UPS Input" (55) del modulo **HotSwap MBP**, mediante il cavo (44) fornito. Questi cavi e queste prese sono contrassegnati in colore blu.

3 - **Evolution S 2500 / S 3000**: collegare la presa di uscita (7) dell'UPS alla presa "UPS Output" (54) del modulo **HotSwap MBP**, mediante il cavo (44) fornito.

Evolution S 1250 / S 1750 / 2000: collegare una delle prese di uscita (9) dell'UPS alla presa "UPS Output" (54) del modulo **HotSwap MBP**.

Questi cavi e queste prese sono contrassegnati in colore rosso.

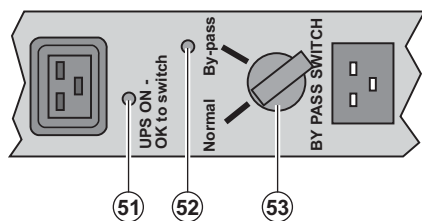
4 - Collegare gli impianti alle prese di uscita (49) e (50) del modulo **HotSwap MBP**. Queste prese variano a seconda della versione del modulo **HotSwap MBP**.

Attenzione: non utilizzare le prese di uscita (8) e (9) dell'UPS per alimentare gli impianti, perché in tal caso l'azionamento del commutatore (53) del modulo HotSwap MBP provocherebbe una interruzione dell'alimentazione di tali impianti.



2. Installazione

Funzionamento del modulo HotSwap MBP



Il modulo **HotSwap MBP** utilizza un commutatore rotativo (53) a 2 posizioni:
Normale: gli impianti sono alimentati dall'UPS.

By-pass: gli impianti sono alimentati dalla rete elettrica.

Attivazione dell'UPS con il modulo HotSwap MBP:

- 1 - Verificare che l'UPS sia collegato correttamente al modulo **HotSwap MBP**.
 - 2 - Portare il commutatore (53) in posizione Normale.
 - 3 - Avviare l'UPS premendo il pulsante Avvio/Arresto (24) sulla parte anteriore dell'UPS.
- Gli impianti sono ora alimentati dall'UPS.
La spia (51) "UPS ON - OK to switch" si accende sul modulo **HotSwap MBP**.

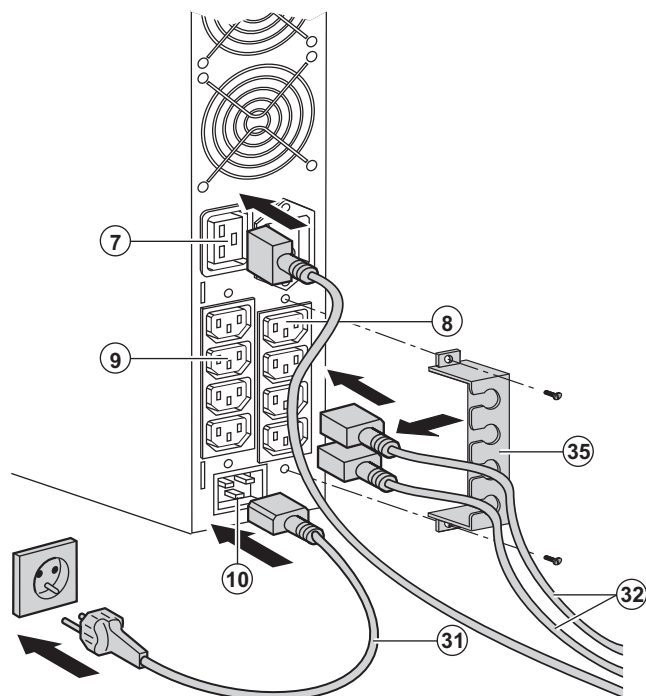
Test del modulo HotSwap MBP

- 1 - Portare il commutatore (53) in posizione By-pass e verificare che gli impianti continuino ad essere alimentati.
- 2 - Riportare il commutatore (53) in posizione Normale.

2.7 Raccordo di un UPS privo di modulo FlexPDU o HotSwap MBP



Verificare che le indicazioni riportate sulla targhetta di identificazione situata nella parte posteriore dell'apparecchio corrispondano alla rete elettrica di alimentazione ed ai consumi elettrici reali degli impianti.



1 - **Evolution S 1250 / S 1750 / 2000:** collegare la presa d'entrata (10) dell'UPS alla rete elettrica mediante il cavo di alimentazione dell'impianto da proteggere.

Evolution S 2500 / S 3000: collegare il cavo di alimentazione (31) fornito (250V - 16A) alla presa (10), poi alla presa della rete elettrica di alimentazione.

2 - Collegare gli impianti all'UPS per mezzo dei cavi (32).

Collegare preferibilmente gli impianti prioritari alle 4 prese (9) e gli impianti non prioritari alle 4 prese (8) programmabili a coppia (1 e 2).

Per i modelli **Evolution S 2500 / S 3000**, collegare gli impianti di maggior potenza alla presa (7) che può erogare una corrente da 16A.

Per poter programmare l'arresto delle prese (8) in fase di autonomia della batteria ed ottimizzare così la durata di tale autonomia, è necessario utilizzare il software di comunicazione EATON.

3 - Chiudere il raccordo fissando il sistema di mantenimento dei cavi (35).

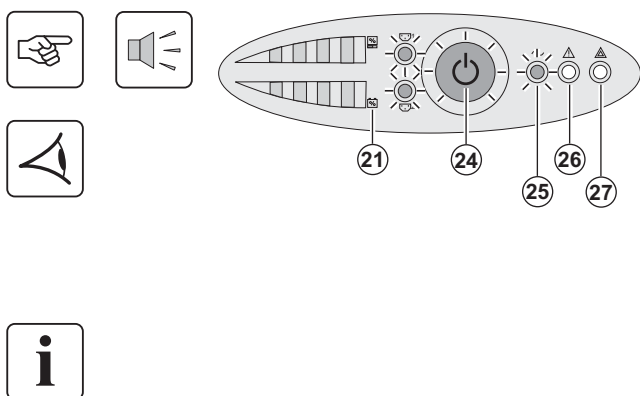


Nota: l'apparecchio ricarica la batteria dal momento in cui è collegato alla rete elettrica, anche senza premere il pulsante (24).

Dopo la prima messa sotto tensione, è necessario attendere almeno 8 ore affinché la batteria possa fornire l'autonomia nominale.



3.1 Messa in servizio e funzionamento normale



Premere il pulsante (24) per 1 secondo circa.

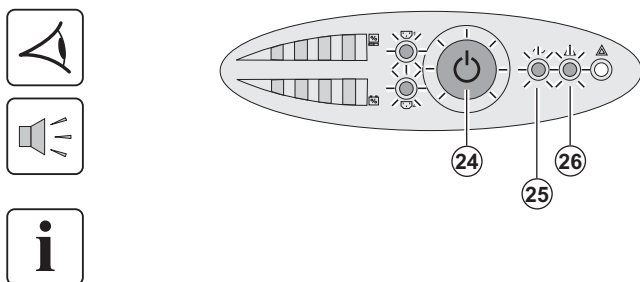
- Il cicalino emette un bip e tutte le spie si accendono contemporaneamente.
- Se la rete elettrica di alimentazione è presente: il pulsante (24) e la spia (25) sono accesi: gli impianti sono alimentati dalla rete elettrica. Se le condizioni lo consentono, l'UPS esegue un test della batteria, segnalato dalle spie (21) e dal cicalino.
- Se la rete elettrica di alimentazione è assente: il pulsante (24), le spie (25) e (26) sono accesi: gli impianti sono alimentati dall'UPS funzionante su batteria.

Gli impianti collegati sono protetti dall'UPS.

Se la spia (27) è accesa, si è verificato un guasto (vedere capitolo "Anomalie").

3.2 Funzionamento su batteria

Passaggio su batteria

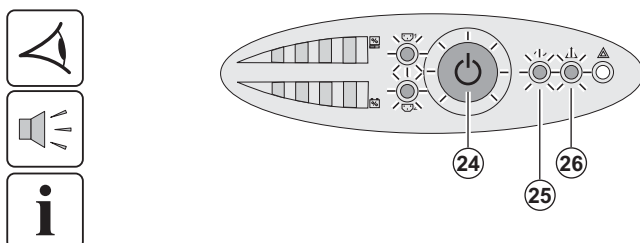


► Quando la rete elettrica non è più disponibile, gli impianti collegati all'UPS continuano ad essere alimentati. L'energia fornita proviene dalla batteria.

- Il pulsante (24) e le spie (25) e (26) sono accesi.
- L'allarme acustico emette un bip ogni 10 secondi.

Gli impianti collegati sono alimentati tramite la batteria.

Soglia di preallarme per fine autonomia della batteria



- Il pulsante (24) e le spie (25) e (26) sono accesi.
- L'allarme acustico emette un bip ogni 3 secondi.

L'autonomia rimanente della batteria è in esaurimento. Chiudere tutte le applicazioni degli impianti collegati poiché l'arresto automatico dell'UPS è imminente.

3. Utilizzo

Fine dell'autonomia della batteria



- Tutte le spie sono spente.
- L'allarme acustico non emette alcun bip.

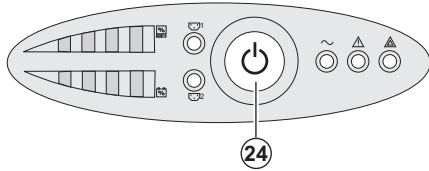


L'UPS è completamente all'arresto.

3.3 Ritorno della rete elettrica

Dopo l'interruzione, l'UPS si riavvia automaticamente al ritorno della rete elettrica (a meno che questa funzione non sia stata disattivata tramite la personalizzazione dell'UPS) e gli impianti sono nuovamente alimentati.

3.4 Arresto dell'UPS



Tenere premuto il pulsante (24) per almeno 2 secondi.

Gli impianti collegati all'UPS non sono più alimentati.

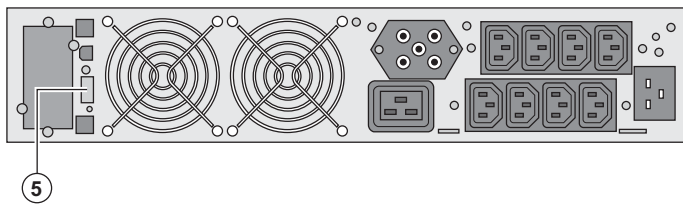
3.5 Utilizzo delle funzioni di controllo remoto dell'UPS

Evolution dispone, a scelta, di due dispositivi di controllo remoto.

► **RPO**: si tratta di una funzione di arresto remoto dell'UPS (**Remote Power Off**) che consente di mettere fuori tensione l'insieme delle apparecchiature collegate all'UPS mediante un contatto di utenza remoto. Il riavvio dell'UPS richiede un intervento manuale.

► **ROO**: si tratta di una funzione di On/Off remoto dell'UPS (**Remote ON/OFF**) che consente di controllare l'azione del pulsante (24) a livello remoto.

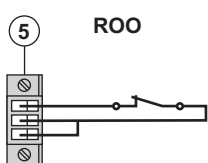
Queste funzioni si ottengono tramite l'apertura del contatto che si raccorda tra i pin del connettore appropriati (5) sul lato posteriore dell'UPS (cfr. figure di seguito).



Collegamento e test dei comandi remoti

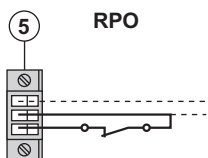


- 1 - Verificare che l'UPS sia in posizione di arresto e che la rete elettrica di alimentazione sia scollegata.
- 2 - Rimuovere il connettore (5) svitando le viti.
- 3 - Collegare un contatto secco isolato, di tipo normalmente chiuso (60 Vdc / 30 Vac max, 20 mA max, sezione del cavo pari a 0,75 mm²) tra i due pin del connettore (5), cfr. figura.



Contatto aperto: arresto dell'UPS
Contatto chiuso: accensione dell'UPS (UPS collegato alla rete e rete presente)

Nota: il comando On/Off locale tramite il pulsante (24) rimane prioritario rispetto al comando remoto.



Contatto aperto: arresto dell'UPS, la spia (26) si accende.

Per ritornare in modalità di funzionamento normale, disattivare il contatto esterno di arresto remoto e riavviare l'UPS tramite il pulsante (24).

4 – Inserire il connettore (5) nel suo alloggiamento sul lato posteriore dell'UPS.

5 – Collegare e riavviare l'UPS secondo le procedure descritte in precedenza.

6 – Attivare il contatto esterno di arresto remoto per testare la funzione.



Attenzione: questo connettore deve essere esclusivamente collegato a circuiti di livello TBTS (Tensione di sicurezza molto bassa).

4. Personalizzazione tramite software esterno



- Inserire il CD ROM **Solution-Pac** nell'apposito lettore.
- Nella prima schermata del programma che appare, selezionare "Soluzione Punto a Punto" e seguire le istruzioni visualizzate per installare il software **Personal Solution-Pac**.
- Selezionare quindi "Configurazione", "Configurazione avanzata" e "Parametri UPS".

Tenere presente che le versioni Linux/Unix/MacOS del software **Personal Solution-Pac** non prevedono questa possibilità.

È possibile modificare i seguenti parametri di regolazione (i commenti dettagliati sono disponibili nel software **Personal Solution-Pac**):

Personalizzazione dell'uscita principale

Funzione	Configurazione di fabbrica	Altre impostazioni
Tensione di uscita in funzionamento su batteria	230 Volt AC	200/208/220/240 Volt AC
Soglia di allarme di sovraccarico	105%	30/50/70%

Personalizzazione dei valori di soglia della tensione

Funzione	Configurazione di fabbrica	Altre impostazioni
Soglia massima di passaggio su batteria	294 Volt AC	Da 271 a 294 Volt AC
Soglia minima di passaggio su batteria	160 Volt AC	Da 160 a 180 Volt AC
Soglia di attivazione della modalità «fader»	265 Volt AC	Da 244 a 265 Volt AC
Soglia di attivazione della modalità «booster»	184 Volt AC	Da 184 a 207 Volt AC
Campo massimo di tensione in ingresso	Disattivata	Attivata ⁽¹⁾

(1) Soglia di tensione minima di passaggio su batteria: 150 V.

Personalizzazione della sensibilità dell'UPS

Funzione	Configurazione di fabbrica	Altre impostazioni
Livello di sensibilità dell'UPS	Normale	Alta o bassa

Personalizzazione delle condizioni di avvio/arresto dell'UPS

Funzione	Configurazione di fabbrica	Altre impostazioni
Avviamento automatico	Attivato	Disattivato
Avviamento su batteria	Attivato	Disattivato
Arresto forzato	Attivato	Disattivato
Modalità risparmio energetico	Disattivato	Attivato
Avvio/arresto UPS mediante software	Attivato	Disattivato
Livello della batteria prima del riavvio	0%	Dallo 0 al 100%

Personalizzazione della batteria

Funzione	Configurazione di fabbrica	Altre impostazioni
Periodicità del test della batteria	Settimanale	Nessun test / Giornaliero / Mensile
Preallarme fine autonomia	20%	Dallo 0 al 100%
Protezione dalle scariche profonde	Attivato	Disattivato
Allarme acustico	Attivato	Disattivato
Estensione batteria (solo modelli Evolution S)	Rilevazione automatica del numero di moduli batteria	Per batterie specifiche, da 25 a 81 Ah

5.1 Riparazione dei guasti

	Sintomo	Diagnostica	Rimedio
1	Durante l'avviamento dell'UPS tramite il pulsante (24), tutte le spie si accendono una volta e il cicalino emette un bip, dopodiché la spia (26) rimane accesa.	L'azione del contatto di arresto remoto (RPO) ha provocato l'arresto dell'UPS e ne impedisce il riavvio.	Riportare il contatto in posizione normale e premere il pulsante (24) per riavviare l'UPS.
2	Il pulsante (24) e le spie (25) e (26) sono accesi, e tutte le spie dell'indicatore a barre (20) lampeggiano.	Il tasso di carico supera il livello di sovraccarico configurato o supera la capacità dell'UPS.	Verificare la potenza assorbita dagli impianti e scollegare gli impianti non prioritari. Verificare il livello di sovraccarico configurato.
3	Il pulsante (24) e la spia (27) sono accesi, e tutte le spie dell'indicatore a barre (20) lampeggiano.	È stato raggiunto un sovraccarico critico in uscita dall'apparecchio. In caso di interruzione della rete di alimentazione, gli impianti non vengono alimentati a batteria.	Verificare la potenza assorbita dagli impianti e scollegare gli impianti non prioritari.
4	La spia (27) è accesa e tutte le spie dell'indicatore a barre (21) lampeggiano.	È stato rilevato un guasto alla batteria durante l'autotest.	Sostituire gli elementi della batteria (vedere §5.2, Sostituzione del modulo batteria).
5	Si accende solo la spia (27) e il cicalino emette un bip continuo.	L'UPS presenta un guasto interno e gli impianti non sono più alimentati.	Rivolgersi al servizio post vendita.

Anomalie su un UPS dotato di modulo HotSwap MBP



	Sintomo	Diagnostica	Rimedio
6	Gli impianti collegati non sono alimentati quando il commutatore rotativo (49) del modulo HotSwap MBP si trova in posizione By-pass.	<ul style="list-style-type: none"> ▶ Gli impianti sono collegati in uscita dall'UPS anziché essere collegati al modulo HotSwap MBP. ▶ Il cavo della rete elettrica di alimentazione è collegato in entrata dell'UPS anziché essere collegato al modulo HotSwap MBP. 	Verificare il cablaggio tra l'UPS e il modulo HotSwap MBP (vedere §2.6).
7	Gli impianti collegati non sono alimentati quando il commutatore rotativo (49) del modulo HotSwap MBP si trova in posizione Normale.	<ul style="list-style-type: none"> ▶ L'UPS è all'arresto. ▶ Il cablaggio tra l'UPS e il modulo HotSwap MBP non è corretto. 	<ul style="list-style-type: none"> ▶ Avviare l'UPS. ▶ Verificare il cablaggio tra l'UPS e il modulo HotSwap MBP (vedere §2.6).
8	Gli impianti collegati non vengono alimentati in caso di interruzione della rete elettrica.	<ul style="list-style-type: none"> ▶ Il commutatore rotativo (49) del modulo HotSwap MBP si trova in posizione By-pass. ▶ Il cablaggio tra l'UPS e il modulo HotSwap MBP non è corretto. 	<ul style="list-style-type: none"> ▶ Portare il commutatore rotativo (49) del modulo HotSwap MBP in posizione Normale. ▶ Verificare il cablaggio tra l'UPS e il modulo HotSwap MBP (vedere §2.6).

In caso di guasto tale da comportare l'arresto dell'UPS, premere il pulsante Avvio/Arresto (24) per uscire dallo stato di guasto.

5. Manutenzione

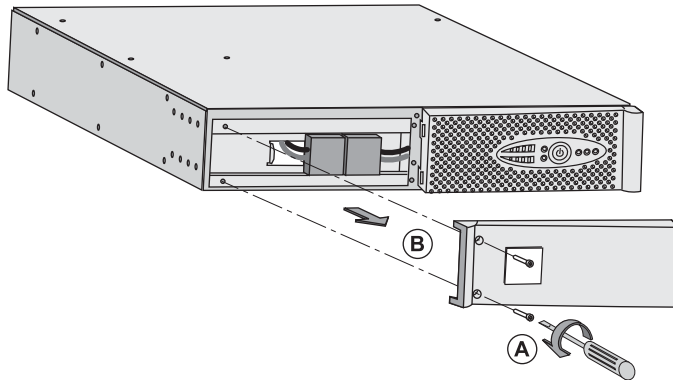
5.2 Sostituzione del modulo batteria

Richiamo sulle istruzioni di sicurezza:

La batteria presenta un rischio di elettrocuzione ed una corrente di cortocircuito elevata. Per qualsiasi intervento sugli elementi della batteria, occorre prendere le seguenti precauzioni:

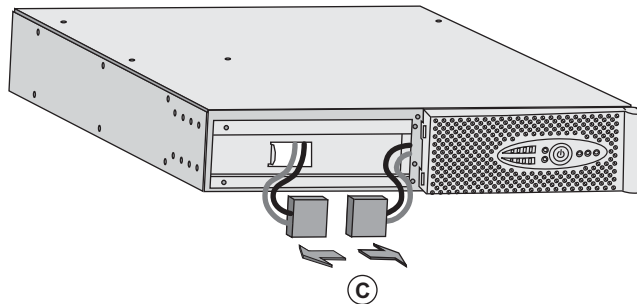
- Togliere orologi, anelli, fedi, braccialetti o qualsiasi altro oggetto metallico,
- Utilizzare utensili con impugnatura isolata.

Smontaggio del modulo batteria

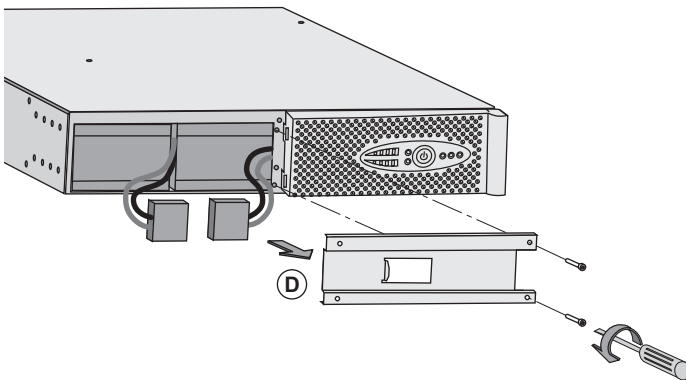


A - Svitare la sezione sinistra della parte anteriore fissata da 2 viti.

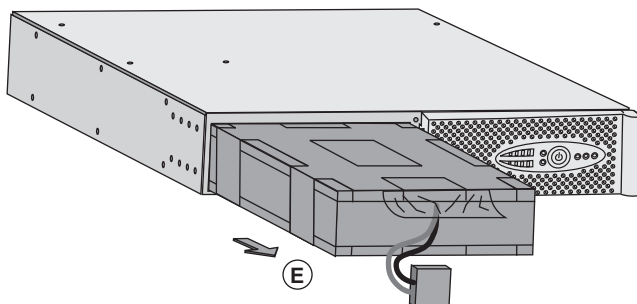
B - Rimuovere questa sezione.



C - Scollegare il gruppo batteria separando i 2 connettori (evitando rigorosamente di tirare i cavi).



D - Rimuovere il coperchio metallico di protezione della batteria fissato da 2 viti.



E - Estrarre il gruppo batteria tirando sulla linguetta di plastica e procedere alla sostituzione.

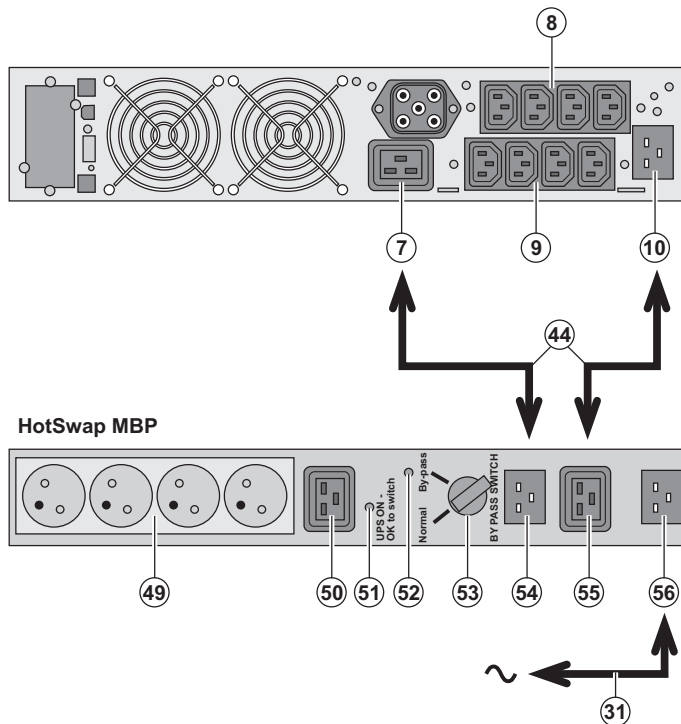
Rimontaggio del nuovo modulo batteria

Ripetere le operazioni sopra descritte in senso inverso.



- Per preservare la sicurezza e lo stesso livello di performance, utilizzare elementi batteria forniti da EATON.
- Fare attenzione ad inserire correttamente i componenti maschio e femmina del connettore durante il raccordo.

5.3 Manutenzione di un UPS dotato di modulo HotSwap MBP



La funzione del modulo **HotSwap MBP** è quella di consentire la manutenzione ed eventualmente la sostituzione dell'UPS senza interferire sull'alimentazione elettrica delle apparecchiature collegate (funzione **HotSwap**).

Manutenzione:

- 1 - Portare il commutatore (**53**) in posizione By-pass: la spia rossa del modulo **HotSwap MBP** si accende per segnalare che gli impianti sono alimentati direttamente dalla rete elettrica.
- 2 - Arrestare l'UPS premendo il pulsante Avvio/Arresto (**24**) sulla parte anteriore dell'UPS: la spia (**51**) "UPS ON - OK to switch" si spegne e a questo punto l'UPS può essere scollegato e sostituito.

Ritorno al funzionamento normale:

- 1 - Verificare che l'UPS sia collegato correttamente al modulo **HotSwap MBP**.
- 2 - Avviare l'UPS premendo il pulsante Avvio/Arresto (**24**) sulla parte anteriore dell'UPS: la spia (**51**) "UPS ON - OK to switch" si accende sul modulo **HotSwap MBP** (in caso contrario si è verificato un errore di raccordo del modulo **HotSwap MBP** all'UPS).
- 3 - Portare il commutatore (**53**) in posizione Normale: la spia rossa del modulo **HotSwap MBP** si spegne.

5.4 Centro di formazione

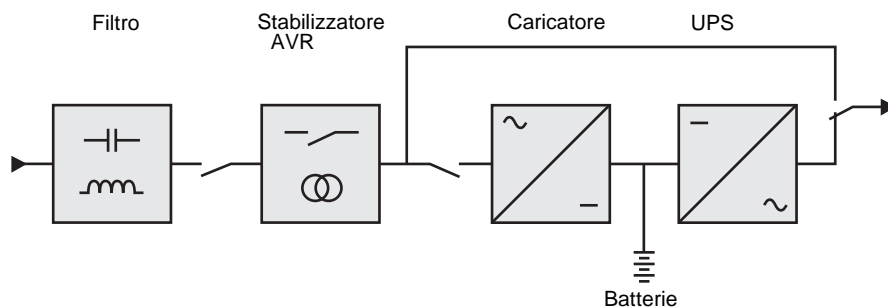


Per tenere sotto controllo l'impianto EATON ed intervenire al primo livello, viene da noi messo a disposizione dei clienti un programma completo di formazione tecnica in lingua inglese e in lingua francese.

For further information, please visit our website: www.eaton.com

6. Allegati

6.1 Specifiche tecniche



	Evolution S 1250	Evolution S 1750	Evolution 2000	Evolution S 2500	Evolution S 3000
Potenza di uscita	1250 VA/1150 W	1750 VA/1600 W	2000 VA/1600 W	2500 VA/2250 W	3000 VA/2700 W
Rete elettrica di alimentazione <ul style="list-style-type: none"> ▶ Tensione in ingresso nominale ▶ Campo di tensione in ingresso ▶ Campo di frequenza in ingresso 	Monofase 220~240 V da 160 V a 294 V ⁽¹⁾ da 47 Hz a 70 Hz (rete 50 Hz), da 56,5 Hz a 70 Hz (rete 60 Hz) ⁽²⁾				
Uscita utilizzo in funzionamento su batteria <ul style="list-style-type: none"> ▶ Tensione ▶ Frequenza 	230 V (+6/-10%) ⁽³⁾ 50/60 Hz ±0,1%				
Batteria (al piombo, a tenuta ermetica, senza manutenzione) <ul style="list-style-type: none"> ▶ Standard 	4 x 12 V 7,2 Ah	4 x 12 V - 9 Ah		6 x 12 V 7,2 Ah	6 x 12 V 9 Ah
<ul style="list-style-type: none"> ▶ Possibilità di estensione (fino a 4 EXB) 	Evolution S EXB 1250/1750 ⁽⁴⁾		No	Evolution EXB S 2500/3000 ⁽⁵⁾	
Ambiente <ul style="list-style-type: none"> ▶ Temperatura di funzionamento ▶ Temperatura di stoccaggio ▶ Umidità 	da 0°C a 40°C da -25°C a 40°C da 20% a 90% (senza condensazione)				
<ul style="list-style-type: none"> ▶ Soglia di rumore 	< 45 dBA			< 50 dBA	

(1) Valori di soglia massima e minima regolabili mediante il software **Personal Solution-Pac**.

(2) Fino a 40 Hz in modalità a bassa sensibilità (programmazione mediante il software **Personal Solution-Pac**).

(3) Regolabile tra 200 V (declassamento del 10% della potenza di uscita) / 208 V / 220 V / 230 V / 240 V

(4) Batteria **Evolution S EXB 1250/1750**: 2 catene da 4 x 12 V / 9 Ah.

(5) Batteria **Evolution S EXB 2500/3000**: 2 catene da 6 x 12 V / 9 Ah.

6.2 Glossario

AC By-pass	Via derivata dalla rete elettrica di alimentazione, comandata dall'UPS per consentire l'alimentazione diretta degli impianti mediante la rete elettrica in caso di sovraccarico o di malfunzionamento dell'UPS.
AC Normale	Si tratta della normale rete elettrica di alimentazione dell'UPS.
Autonomia	Periodo di tempo durante il quale gli impianti vengono alimentati dall'UPS funzionante su batteria.
Avvio/Arresto UPS mediante software	Permette di autorizzare o impedire al software di protezione dei sistemi informatici l'attivazione delle sequenze di Avvio/Arresto dell'UPS.
Avviamento su batteria	Rende possibile la messa sotto tensione degli impianti collegati all'UPS in caso di assenza della rete elettrica di alimentazione. In tal caso l'UPS funziona unicamente su batteria.
FlexPDU	Modulo di prese di uscita UPS per l'installazione a pannello. Esistono diverse tipologie di moduli, a seconda dei diversi tipi di prese.
HotSwap MBP	Modulo di derivazione manuale dell'UPS per consentirne la manutenzione. Esistono diverse tipologie di moduli, a seconda dei diversi tipi di prese.
Impianti	Apparecchi o dispositivi raccordati in uscita dall'UPS.
Modalità "booster"	Modalità di funzionamento automatica dell'UPS che consente di alzare la tensione della rete elettrica, in caso di abbassamento, al di sopra di un valore definito mediante personalizzazione, senza incidere sul livello di carica della batteria.
Modalità "fader"	Modalità di funzionamento automatica dell'UPS che consente di abbassare la tensione della rete elettrica, in caso di valore eccessivo della stessa, al di sotto di un valore definito mediante personalizzazione, senza incidere sul livello di carica della batteria.
Percentuale di caricamento	Rapporto tra la potenza assorbita dagli impianti collegati all'UPS e la potenza massima erogabile dall'UPS.
Personalizzazione	Programmazione di alcuni parametri diversa dalla configurazione standard di fabbrica. Alcune funzioni dell'UPS possono essere modificate mediante il software Personal Solution-Pac al fine di soddisfare meglio le necessità dell'utente.
Prese programmabili	Prese utilizzabili con i comandi di disinserimento automatico, arresto remoto e avviamento sequenziale (personalizzazione mediante il software Personal Solution-Pac).
Scarica profonda	Livello di scarica della batteria oltre il minimo consentito, tale da provocare danni irreversibili alla batteria.
Soglia di preallarme per fine autonomia della batteria	Si tratta di un valore minimo del livello di tensione della batteria che permette di rilevare la fine imminente dell'autonomia della batteria ed assumere pertanto le disposizioni previste in caso di interruzione di corrente agli impianti.
Test della batteria	Test interno dell'UPS che permette di verificare lo stato della batteria.
UPS	Uninterruptible Power System (gruppo di continuità)

Evolution

S 1250 RT 2U

S 1750 RT 2U

2000 RT 2U

S 2500 RT 2U

S 3000 RT 2U

S 3000 RT 3U

S EXB 1250/1750 RT 2U

S EXB 2500/3000 RT 2U

S EXB 2500/3000 RT 3U



Manual de instalación y
uso

Pulsar Series

EATON

Powering Business Worldwide

Les agradecemos que hayan optado por un producto EATON para la seguridad de sus aplicaciones.

La gama **Evolution** ha sido elaborada con el mayor esmero.

Para explotar al máximo las altas prestaciones de su **SAI (Sistema de Alimentación Ininterrumpida)**, les aconsejamos que se tomen el tiempo necesario para leer este manual.

Antes de la instalación de **Evolution**, leerse el cuaderno con las instrucciones de seguridad a seguir. Seguir, a continuación, las instrucciones del presente manual.

Les invitamos a que descubran la oferta de EATON así como las opciones de la gama **Evolution** visitando nuestro sitio WEB: www.eaton.com, o poniéndose en contacto con su representante EATON.

Respeto medioambiental

La sociedad EATON se ha comprometido en aplicar una política de protección y preservación del medio ambiente. Nuestros productos han sido desarrollados siguiendo una estrategia de ecodiseño.

Sustancias


Este producto no contiene ni CFC, ni HCFC, ni amianto.

Embalaje

Para mejorar el tratamiento de los vertidos y facilitar el reciclaje, separen los elementos del embalaje.

- ▶ La caja de cartón está hecha con más de un 50% de cartón reciclado.
- ▶ Las bolsas y las bolsitas son de polietileno.
- ▶ Los materiales que forman el embalaje son reciclables y están marcados con el símbolo de identificación



Materiales	Abreviatura	Número en el símbolo 
Polietileno Teraftalate	PET	01
Polietileno de Alta Densidad	HDPE	02
Polivinilo de Cloruro	PVC	03
Polietileno de Baja Densidad	LDPE	04
Polipropileno	PP	05
Poliestireno	PS	06

Cumplir con las normativas locales vigentes para la eliminación del embalaje.

Final de vida útil

La sociedad EATON se ha comprometido en tratar los productos al final de su vida útil de acuerdo con lo dispuesto en las normativas locales.

EATON trabaja con empresas encargadas de la recogida y eliminación de nuestros productos al final de su vida útil.

Producto

El producto está hecho con materiales reciclables.

Su desmantelamiento y destrucción tendrán que realizarse conforme a lo dispuesto en las normativas locales vigentes relativas a los vertidos.

El producto, al final de su vida útil, tendrá que ser depositado en un centro de tratamiento de vertidos eléctricos y electrónicos.

Batería

El producto contiene baterías de plomo que tendrán que ser tratadas conforme a lo dispuesto en las normativas locales vigentes relativas a las baterías.

Para cumplir lo dispuesto en esas normativas y eliminar la batería limpiamente, se puede extraer la misma del producto.

Introducción

Pictogramas utilizados



Instrucciones a seguir obligatoriamente



Informaciones, consejos, ayuda.



Indicación visual de obligatoria observancia



Operación a realizar.



Señalización acústica.

Los símbolos convencionales adoptados para representar los indicadores luminosos en las ilustraciones son los siguientes:



Indicador luminoso apagado.



Indicador luminoso encendido.



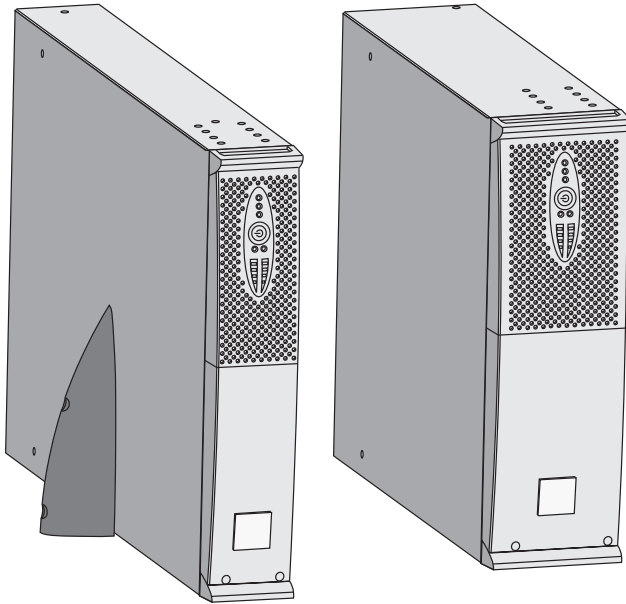
Indicador luminoso parpadeando.

1. Presentación	
1.1 Posiciones estándar	6
Posición torre	6
Posición rack	6
1.2 Caras traseras	7
Evolution 2500 / 3000	7
Evolution 1250 / 1750 / 2000	7
Evolution EXB (módulo batería opcional)	7
1.3 Panel de visualización y de mando	7
2. Instalación	
2.1 Desembalaje y comprobación del contenido	8
2.2 Instalación en posición de torre	9
2.3 Instalación en posición de rack	9
2.4 Puertos de comunicación	10
Conexión del puerto de comunicación RS232 o USB (facultativo)	10
Instalación de las tarjetas de comunicación (opcional)	10
Características del puerto de comunicación por contactos (opcional)	10
2.5 Conexiones a un módulo FlexPDU (Power Distribution Unit)	11
2.6 Conexiones a un módulo HotSwap MBP	11
Funcionamiento del módulo HotSwap MBP	12
2.7 Conexiones de un SAI sin módulo FlexPDU o HotSwap MBP	12
3. Utilización	
3.1 Puesta en servicio y en funcionamiento normal	13
3.2 Funcionamiento con batería	13
3.3 Vuelta de la corriente eléctrica	14
3.4 Parada del SAI	14
3.5 Utilización de las funciones de mando a distancia del SAI	14
4. Personalización mediante el software externo	16
5. Mantenimiento	
5.1 Corrección de anomalías	17
Corrección de anomalías de un SAI equipado con un módulo HotSwap MBP	17
5.2 Sustitución del módulo de la batería	18
Recordatorio de las instrucciones de seguridad	18
Desmontaje del módulo de batería	18
Montaje del nuevo módulo de batería	19
5.3 Mantenimiento de un SAI equipado con un módulo HotSwap MBP	19
5.4 Centro de formación	19
6. Anexos	
6.1 Especificaciones técnicas	20
6.2 Glosario	21

1. Presentación

1.1 Posiciones estándar

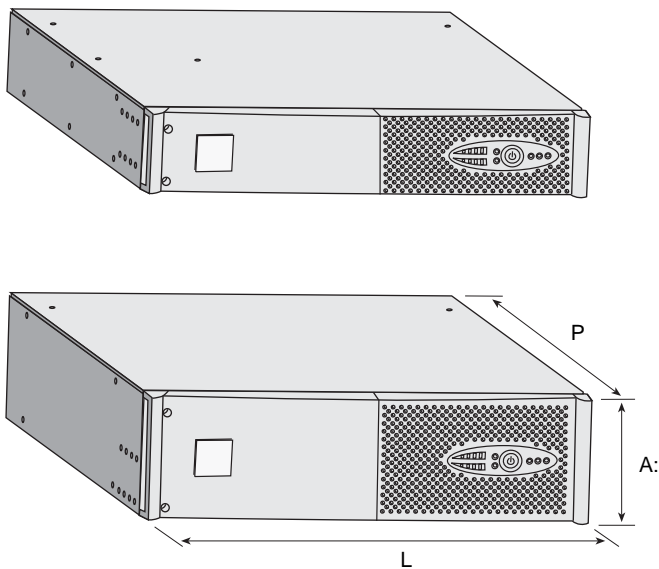
Posición de torre



Cuadro de dimensiones (L x A x P) en mm	
S 1250 RT 2U S 1750 RT 2U 2000 RT 2U	440 x 86 x 509
S 2500 RT 2U S 3000 RT 2U	440 x 86 x 634
S 3000 RT 3U	440 x 131 x 484
S EXB 1250/1750 RT 2U	440 x 86 x 509
S EXB 2500/3000 RT 2U	440 x 86 x 634
S EXB 2500/3000 RT 3U	440 x 131 x 484

Cuadro de pesos en kg.	
S 1250 RT 2U	24,3
S 1750 RT 2U	26,6
2000 RT 2U	25,7
S 2500 RT 2U	33,8
S 3000 RT 2U	33,8
S 3000 RT 3U	34,3
S EXB 1250/1750 RT 2U	30,4
S EXB 2500/3000 RT 2U	41,5
S EXB 2500/3000 RT 3U	41,7

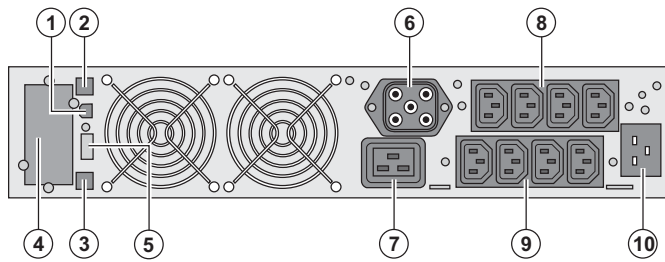
Posición de rack



1. Presentación

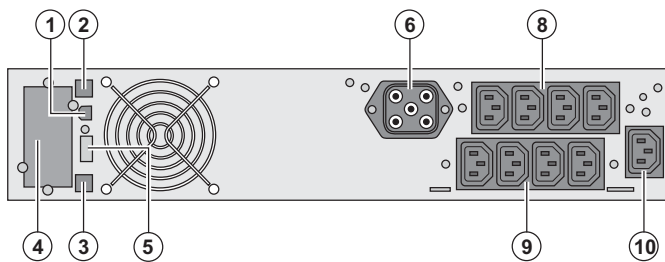
1.2 Caras traseras

Evolution S 2500 / S 3000

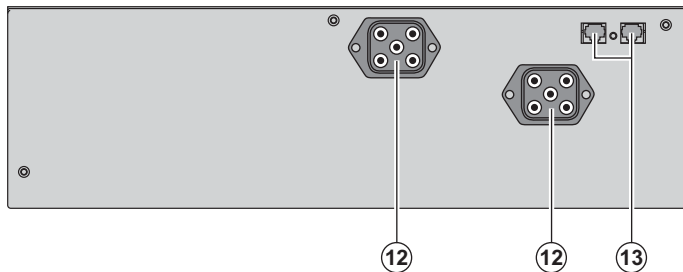


- (1) Puerto de comunicación USB
- (2) Puerto de comunicación RS232
- (3) Conector de reconocimiento automático de un módulo de batería adicional
- (4) Emplazamiento para tarjeta de comunicación opcional.
- (5) Conector para la conexión de un mando a distancia de Marcha/Parada o de una parada de emergencia.
- (6) Conector para la conexión de un módulo de batería adicional (excepto Evolution 2000)
- (7) Toma 16A para la conexión de los equipos
- (8) 2 grupos de 2 tomas programables para la conexión de los equipos
- (9) Grupo de 4 tomas para la conexión de los equipos
- (10) Toma para la conexión a la red eléctrica de alimentación

Evolution S 1250 / S 1750 / 2000

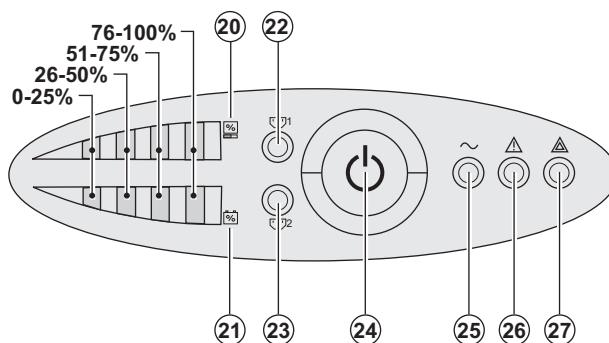


Evolution S EXB (módulo de batería opcional)



- (12) Conectores para la conexión de los módulos de batería (hacia el SAI o hacia los otros módulos de batería)
- (13) Conectores de reconocimiento automático de los módulos de batería

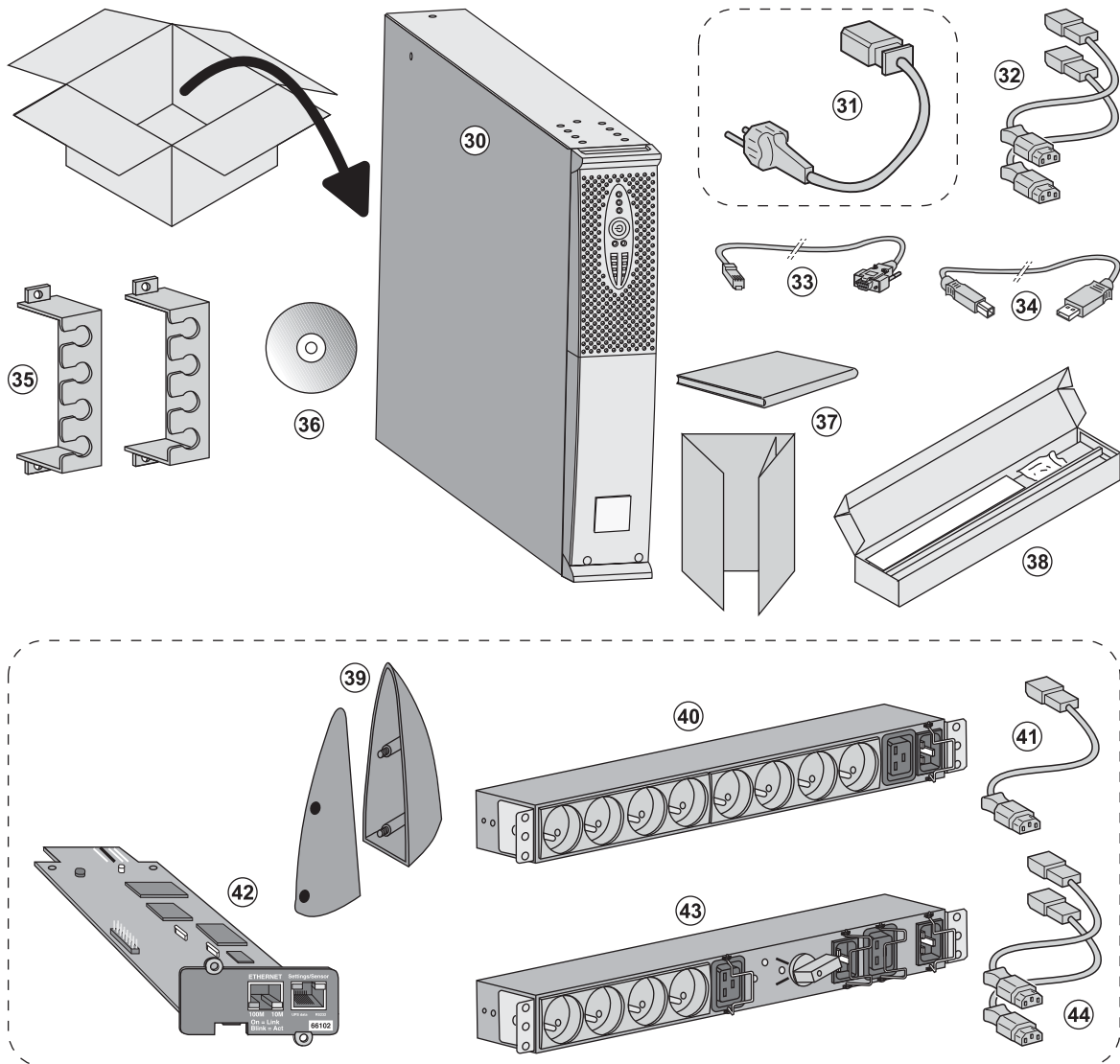
1.3 Panel de visualización y de mando



- (20) Barra de leds del nivel de potencia consumido en la salida
- (21) Barra de leds del nivel de carga de la batería
- (22) Tomas programables 1 alimentadas
- (23) Tomas programables 2 alimentadas
- (24) Botón luminoso Marcha/Parada (ON/OFF) de las tomas de salida
- (25) Indicador luminoso equipos protegidos
- (26) Indicador luminoso de funcionamiento degradado
- (27) Indicador luminoso equipos no protegidos

2. Instalación

2.1 Desembalaje y comprobación del contenido



(30) SAI Evolution.

(31) Cordon de conexión a la red eléctrica (modelo Evolution S 2500 y S 3000 únicamente).

(32) 2 cables para conectar los equipos.

(33) Cable de comunicación RS232.

(34) Cable de comunicación USB.

(35) 2 sistemas de fijación de los cables de alimentación de los equipos.

(36) CD-ROM Solution-Pac.

(37) Documentación.

(38) Kit de montaje en armario de 19 pulgadas.

Elementos suministrados según la versión u opcionalmente:

(39) 2 Soportes de mantenimiento en posición vertical (versión RT 2U únicamente).

(40) Módulo FlexPDU (opcional).

(41) Cordon de conexión del módulo FlexPDU al SAI.

(42) Tarjeta de comunicación NMC (opcional, estándar en los modelos Netpack).

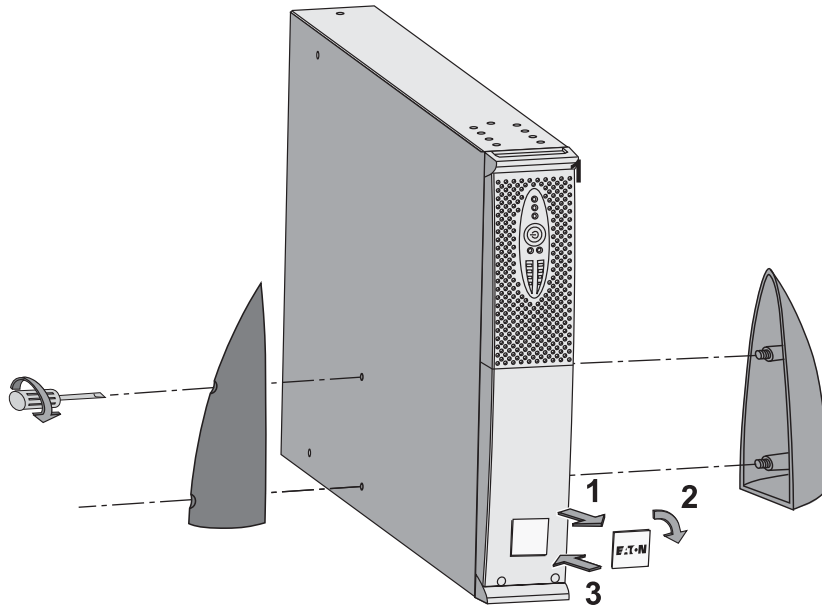
(43) Módulo HotSwap MBP (opcional).

(44) Cables de conexión del módulo HotSwap MBP al SAI.



Los embalajes tendrán que ser eliminados de conformidad con las normativas vigentes en materia de residuos. Llevan símbolos de reciclado para facilitar la clasificación.

2.2 Instalación en posición de torre



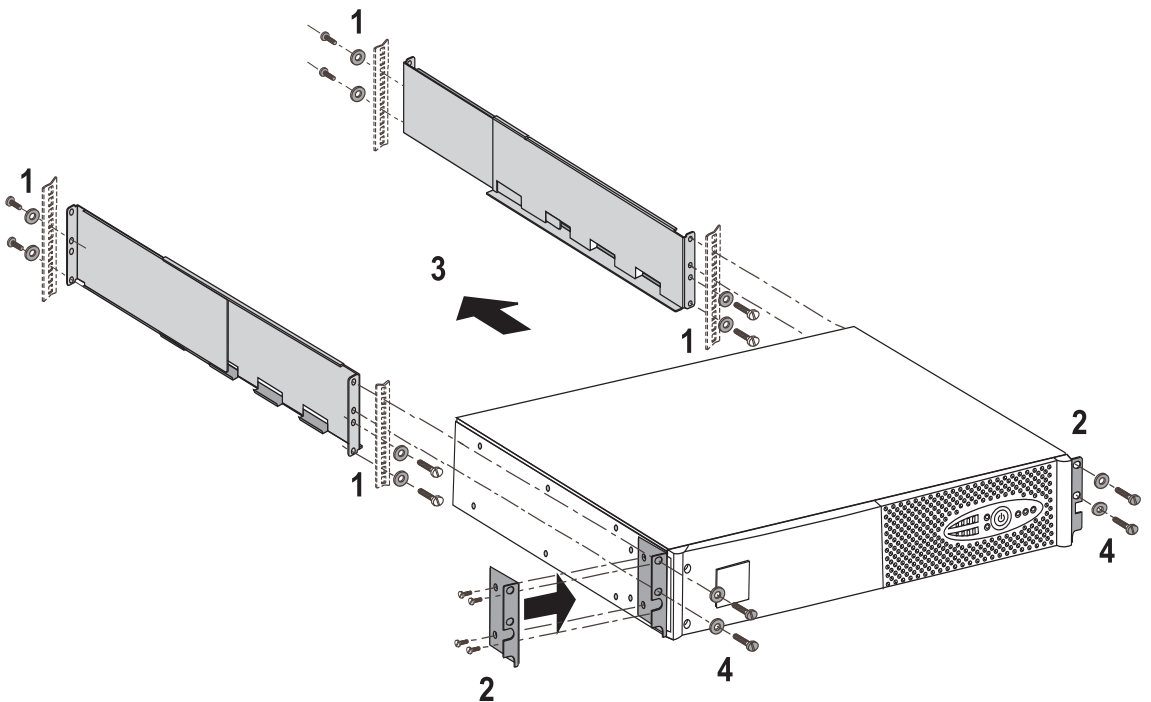
Nota: los soportes de mantenimiento en posición vertical se utilizan únicamente en los modelos RT 2U.

2.3 Instalación en posición de rack

Se recomienda montar el módulo de batería en primer lugar, luego montar el módulo de potencia encima.



Seguir las etapas 1 a 4 para el montaje del módulo sobre sus rieles.



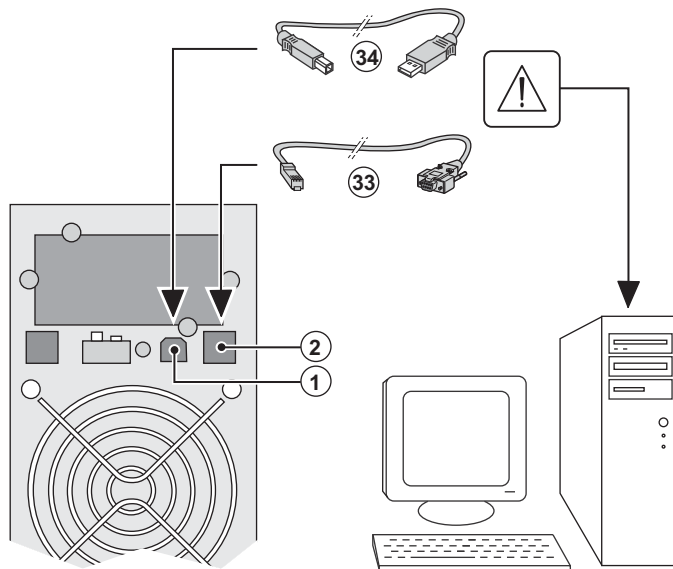
Los rieles y el material necesario para el montaje son suministrados por EATON.

2. Instalación

2.4 Puertos de comunicación

Conexión del puerto de comunicación RS232 o USB (facultativo)

 El puerto de comunicación RS232 y el puerto de comunicación USB no pueden funcionar de forma simultánea.

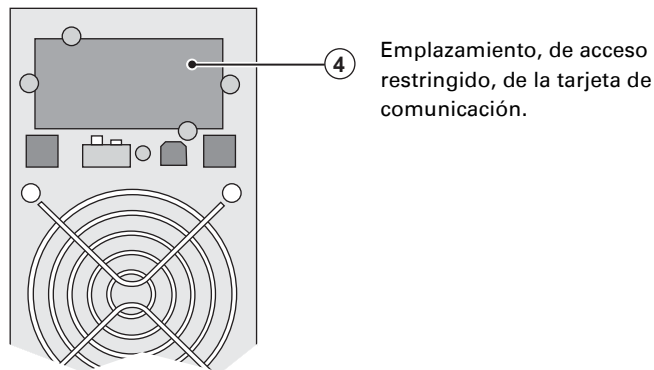


1 – Conectar el cable de comunicación RS 232 (33) o USB (34) al puerto serie o USB del equipo informático.

2 – Conectar la otra extremidad del cable de comunicación (33) o (34) al puerto de comunicación USB (1) o RS232 (2) del SAI.

El SAI ya podrá dialogar con un software de administración, de personalización o de seguridad EATON.

Instalación de las tarjetas de comunicación (opcional, estándar para las versiones Netpack)

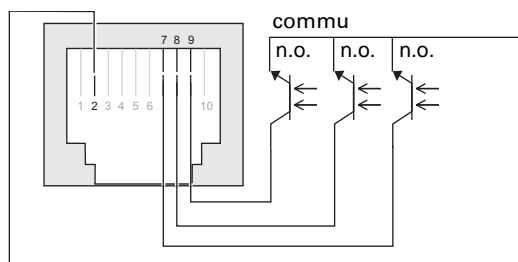


4 Emplazamiento, de acceso restringido, de la tarjeta de comunicación.

No será necesario para el SAI para instalar la tarjeta de comunicación:

- 1 – Quitar la placa protectora (4) del SAI fijada con tornillos.
- 2 – Insertar la tarjeta de comunicación en el emplazamiento previsto.
- 3 – Fijar la placa protectora de la tarjeta con los tornillos.

Características del puerto de comunicación por contactos (opcional)



- ▶ Patillas 1, 3, 4, 5, 6, 10: no utilizadas
- ▶ Patilla 2: común usuario
- ▶ Patilla 7: batería baja
- ▶ Patilla 8: funcionamiento con batería
- ▶ Patilla 9: SAI en marcha, equipos alimentados

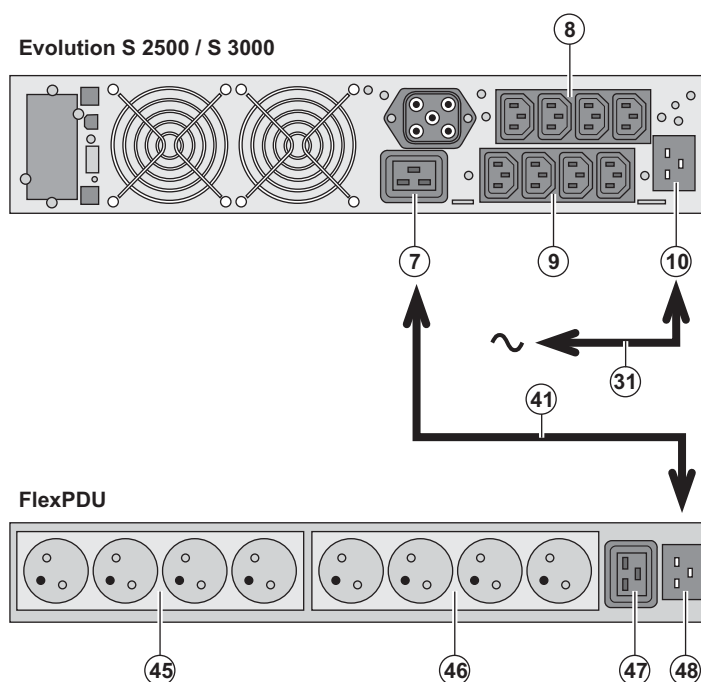
n.a.: contacto normalmente abierto.

Cuando una información está activa, el contacto entre la patilla común 4 y la patilla de la información correspondiente está cerrado.

Características de los contactos (optoacopladores)

- ▶ Tensión: 48 V DC máx
- ▶ Corriente: 25 mA máx.
- ▶ Potencia: 1.2 W

2.5 Conexión al módulo FlexPDU (Power Distribution Unit) (Opcional)



1 - **Evolution S 2500 / S 3000:** conectar la toma de entrada (10) del SAI a la red eléctrica por medio del cordón (31) suministrado.

Evolution S 1250 / S 1750 / 2000: utilizar el cordón de alimentación del equipo que se va a proteger.

2 - **Evolution S 2500 / S 3000:** conectar la toma de entrada de red eléctrica del módulo **FlexPDU (48)** a la toma de salida (7) del SAI por medio del cordón (41) suministrado.

Evolution S 1250 / S 1750 / 2000: conectar la toma de entrada de red eléctrica del módulo **FlexPDU (48)** a una de las tomas (9) de salida.

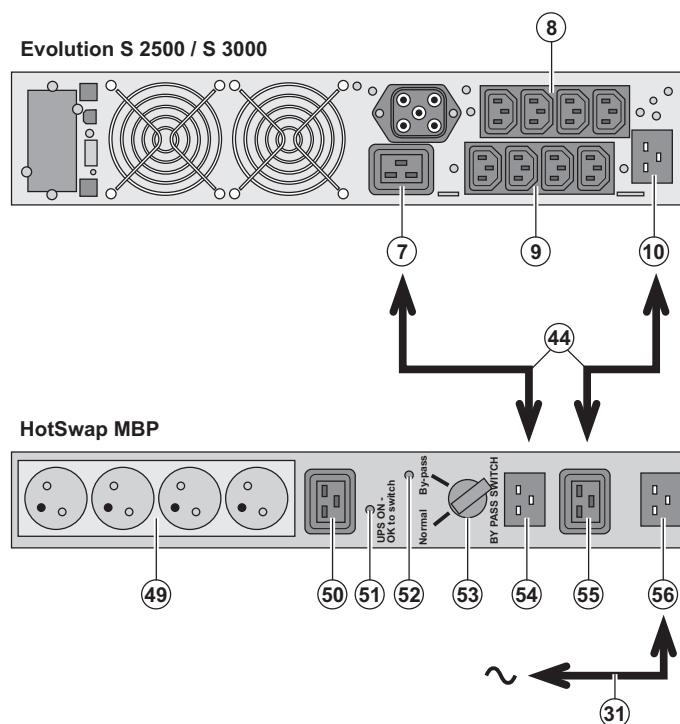
Este cable y estas tomas están marcados de color rojo.

3 - Conectar los equipos a las tomas (45), (46) y (47) del módulo **FlexPDU**. Estas tomas son de tipo diferente según la versión del módulo **FlexPDU**.

4 - Fijar los cables en su posición con las bridas metálicas de las tomas.

2.6 Conexiones a un módulo HotSwap MBP (Opcional)

La función del módulo **HotSwap MBP** es permitir el mantenimiento y, eventualmente, la sustitución del SAI sin que ello afecte a la alimentación eléctrica de los equipos conectados (función **HotSwap**).



1 - Conectar la toma de entrada (56) del módulo **HotSwap MBP** a la red eléctrica por medio del cordón (31) suministrado.

2 - Conectar la toma de entrada de red eléctrica del SAI (10) a la toma "UPS Input" (55) del módulo **HotSwap MBP**, por medio del cordón (44) suministrado. Estos cables y estas tomas están marcados de color azul.

3 - **Evolution S 2500 / S 3000:** conectar la toma de salida (7) del SAI a la toma "UPS Output" (54) del módulo **HotSwap MBP**, por medio del cordón (44) suministrado.

Evolution S 1250 / S 1750 / 2000: conectar una de las tomas de salida (9) del SAI a la toma "UPS Output" (54) del módulo **HotSwap MBP**.

Estos cables y estas tomas están marcados de color rojo.

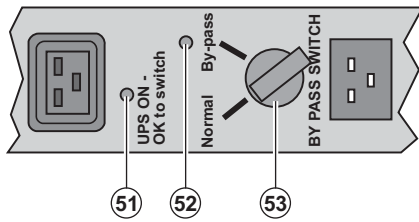
4 - Conectar los equipos a las tomas de salida (49) y (50) del módulo **HotSwap MBP**. Estas tomas son de tipo diferente según la versión del módulo **HotSwap MBP**.

Atención: no utilizar las tomas de salida (8) y (9) del SAI para alimentar los equipos ya que en ese caso la maniobra del conmutador (53) del módulo **HotSwap MBP** provocaría un corte en la alimentación de estos equipos.



2. Instalación

Funcionamiento del módulo HotSwap MBP



El módulo **HotSwap MBP** utiliza un conmutador rotativo (53) de 2 posiciones:

Normal: los equipos están siendo alimentados por el SAI.

Bypass: los equipos están siendo alimentados por la red eléctrica.

Puesta en servicio del SAI con el módulo HotSwap MBP:

- 1 – Comprobar que el SAI esté correctamente conectado al módulo **HotSwap MBP**.
 - 2 – Colocar el conmutador (53) en posición Normal.
 - 3 – Poner en marcha el SAI pulsando el botón Marcha/Parada (24) en la cara delantera del SAI.
- Los equipos están siendo alimentados ya por el SAI.
El indicador luminoso (51) "UPS ON - OK to switch" se enciende en el módulo **HotSwap MBP**.

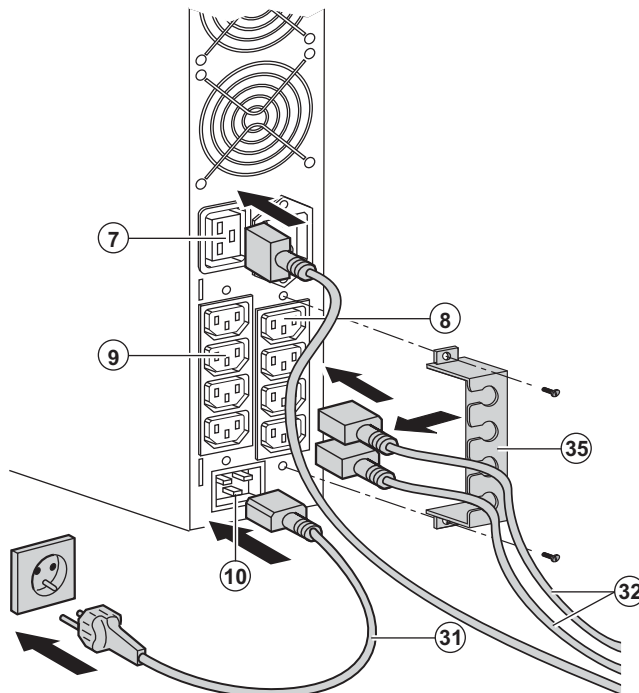
Test del módulo HotSwap MBP

- 1 – Colocar el conmutador (53) en posición Bypass y comprobar que los equipos sigan estando alimentados.
- 2 – Volver a poner el conmutador (53) en posición Normal.

2.7 Conexión de un SAI sin módulo FlexPDU o HotSwap MBP



Comprobar que las indicaciones señaladas en la placa de identificación situada en la parte trasera del aparato correspondan a la red eléctrica de alimentación y al consumo eléctrico real de los equipos.



1 - **Evolution S 1250 / S 1750 / 2000:** conectar la toma de entrada (10) del SAI a la red eléctrica por medio del cordón de alimentación del equipo que se va a proteger.

Evolution S 2500 / S 3000: conectar el cordón de alimentación (31) suministrado (250V - 16A) a la toma (10), luego a la toma de la red eléctrica de alimentación.

2 – Conectar los equipos al SAI por medio de los cables (32).

Conectar, preferentemente, los equipos prioritarios a las 4 tomas (9) y los equipos no prioritarios a las 4 tomas (8) programables por pares (1 y 2).

Para los modelos **Evolution S 2500 / S 3000**, conectar los equipos de mayor potencia a la toma (7) que puede suministrar una corriente de 16A.

Para poder programar la desconexión de las tomas (8) mientras la batería funciona en modo autónomo y optimizar así la duración de esa autonomía, será necesario tener acceso al software de comunicación EATONS.

3 – Sujetar los cables de conexionado fijando el sistema de mantenimiento de los cables (35).

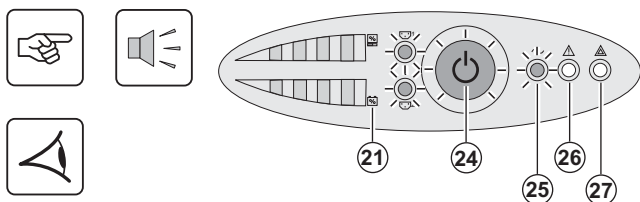


Nota: el aparato recarga su batería al ser conectado a la red eléctrica, incluso sin pulsar el botón (24).

Tras la primera puesta en tensión, se necesitarán al menos 8 horas para que la batería pueda suministrar la autonomía nominal.



3.1 Puesta en servicio y en funcionamiento normal



Pulsar el botón (24) durante aproximadamente 1 segundo.

- ▶ El buzzer o zumbador emite un bip y todos los indicadores luminosos se encienden simultáneamente.
- ▶ Si la red eléctrica de alimentación está presente: el botón (24) y el indicador luminoso (25) estarán encendidos: los equipos están siendo alimentados por la red eléctrica. Si las condiciones lo permiten, el SAI realiza un test de la batería indicándolo a través de los indicadores luminosos (21) y del buzzer o zumbador.
- ▶ Si la red eléctrica de alimentación está ausente: el botón (24) y los indicadores luminosos (25) y (26) estarán encendidos: los equipos están siendo alimentados por el SAI que funciona con la batería.

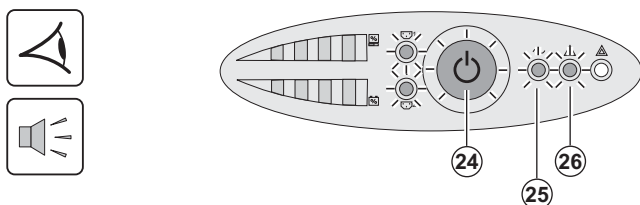


Los equipos conectados están siendo protegidos por el SAI.

Si el indicador luminoso (27) está encendido, es que existe un fallo (ver capítulo "Anomalías").

3.2 Funcionamiento con batería

Cambio a batería

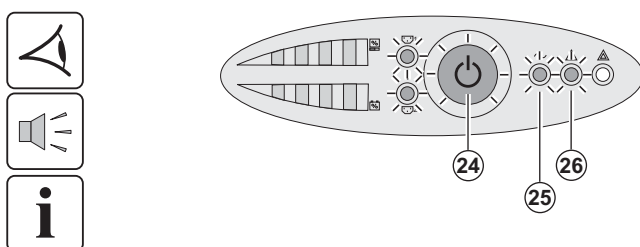


▶ Los equipos conectados siguen siendo alimentados por el SAI cuando la red eléctrica ya no está disponible. La energía suministrada procede de la batería.

- ▶ El botón (24) y los indicadores luminosos (25) y (26) estarán encendidos.
- ▶ La alarma acústica emite un bip cada 10 segundos.

Los equipos conectados están siendo alimentados a partir de la batería.

Umbral de prealarma de final de autonomía de la batería



- ▶ El botón (24) y los indicadores luminosos (25) y (26) estarán encendidos.
- ▶ La alarma acústica emite un bip cada 3 segundos.

La autonomía restante de la batería está a bajo nivel.

Cerrar todas las aplicaciones de los equipos conectados ya que la parada automática del SAI es inminente.

3. Utilización

Final de autonomía de la batería



- ▶ Todos los indicadores luminosos están apagados.
- ▶ La alarma acústica está en silencio.

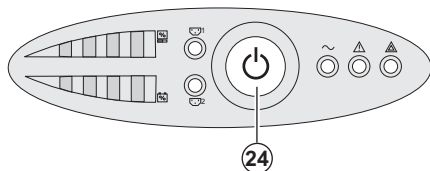


El SAI está completamente parado.

3.3 Vuelta de la corriente eléctrica

Tras el corte, el SAI vuelve a arrancar automáticamente cuando vuelve la corriente eléctrica (a menos que esta función haya sido desactivada mediante la personalización del SAI) y los equipos vuelven a recibir alimentación.

3.4 Parada del SAI



Presionar el botón (24) durante más de 2 segundos.

Los equipos conectados al SAI ya no están siendo alimentados.

3.5 Utilización de las funciones de mando a distancia del SAI

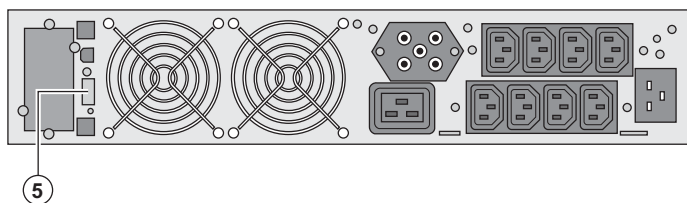
Evolution dispone de dos dispositivos de mando a distancia, según se elija.

▶ **RPO**: es una función de parada a distancia del SAI (**Remote Power Off**) que permite dejar sin tensión el conjunto de los equipos conectados al SAI mediante un contacto remoto del usuario.

El arranque del SAI requiere una intervención manual.

▶ **ROO**: es una función de marcha/parada a distancia del SAI (**Remote ON/OFF**) que permite recurrir a la acción remota (24) del botón.

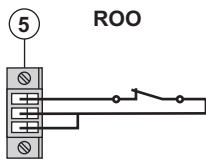
Estas funciones se obtienen abriendo el contacto que se conectará entre las patillas adecuadas del conector (5) en la cara trasera del SAI (ver figuras más abajo).



Conexión y test de los mandos a distancia



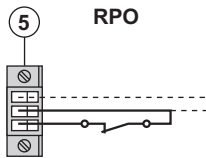
- 1 – Comprobar que el SAI esté en posición de parada y que la red eléctrica de alimentación esté desconectada.
- 2 – Quitar el conector (5) desatornillando los tornillos.
- 3 – Conectar un contacto seco aislado, del tipo normalmente cerrado (60 Vdc / 30 Vac máx, 20 mA máx, sección de cable de 0,75 mm²) entre las dos patillas del conector (5), ver figura.



Contacto abierto: parada del SAI

Contacto cerrado: puesta en marcha del SAI (SAI conectado a la red y red presente)

Nota: el mando Marcha/Parada local mediante el botón (24) es prioritario con respecto al mando a distancia.



Contacto abierto: parada del SAI, el indicador luminoso (26) se enciende.

Para volver al funcionamiento normal, desactivar el contacto externo de parada a distancia y volver a arrancar el SAI con el botón (24).

4 – Encajar el conector (5) en su emplazamiento en la cara trasera del SAI.

5 – Conectar y volver a arrancar el SAI de acuerdo con los procedimientos anteriormente descritos.

6 – Activar el contacto externo de parada a distancia para testar la función.



Atención: este conector tiene que estar exclusivamente conectado a circuitos de nivel MBTS (Muy Baja Tensión de Seguridad).

4. Personalización mediante software externo



- ▶ Insertar el CD ROM **Solution-Pac** en su lector.
 - ▶ En la primera pantalla del navegador, seleccionar "Solución Punto a Punto" y seguir las instrucciones para instalar el software **Personal Solution-Pac**.
 - ▶ A continuación, seleccionar "Configuración" y, luego, "Configuración avanzada" y "Parámetros ondulador". Tener en cuenta que las versiones Linux/Unix/MacOS del software **Personal Solution-Pac** no incluyen esta posibilidad.
- Podrá modificar los parámetros de ajuste siguientes (los comentarios detallados están disponibles en el software **Personal Solution-Pac**):

Personalización de la salida principal

Función	Personalización de fábrica	Otras opciones a elegir
Tensión de salida en funcionamiento con batería	230 Voltios AC	200/208/220/240 Voltios AC
Umbral de alarma de sobrecarga de utilización	105%	30/50/70%

Personalización de los umbrales de tensión

Función	Personalización de fábrica	Otras opciones a elegir
Umbral alto de cambio a batería	294 Voltios AC	De 271 a 294 Voltios AC
Umbral bajo de cambio a batería	160 Voltios AC	De 160 a 180 Voltios AC
Umbral de activación del modo «fader»	265 Voltios AC	De 244 a 265 Voltios AC
Umbral de activación del modo «booster»	184 Voltios AC	De 184 a 207 Voltios AC
Margen máximo de tensión de entrada	Desactivado	Activado ⁽¹⁾

(1) Umbral de tensión baja de cambio a batería: 150V.

Personalización de la sensibilidad del SAI

Función	Personalización de fábrica	Otras opciones a elegir
Nivel de sensibilidad del SAI	Normal	Alta o baja

Personalización de las condiciones de marcha/parada del SAI

Función	Personalización de fábrica	Otras opciones a elegir
Arranque automático	Activada	Desactivada
Arranque con batería	Activada	Desactivada
Parada forzada	Activada	Desactivada
Modo ahorro de energía	Desactivada	Activada
Marcha/parada del SAI por medio de software	Activada	Desactivada
Nivel de la batería antes del re arranque	0%	De 0 a 100%

Personalización de la batería

Función	Personalización de fábrica	Otras opciones a elegir
Periodicidad del test de batería	Semanal	Ningún test / Diario / Mensual
Prealarma de final de autonomía	20%	De 0 a 100%
Protección contra las descargas profundas	Activada	Desactivada
Alarma acústica	Activada	Desactivada
Extensión de batería (modelos Evolution S únicamente)	Detección automática del número de módulos de batería	Para baterías específicas, de 25 a 81 Ah

5.1 Corrección de anomalías

	Síntoma	Diagnóstico	Corrección
1	En el momento de arrancar el SAI con el botón (24), todos los indicadores luminosos se encienden una vez y el buzzer emite un bip, y el indicador luminoso (26) sigue encendido.	La acción del contacto parada a distancia (RPO) ha provocado la parada del SAI e impide su re arranque.	Volver a poner el contacto en posición normal y pulsar el botón (24) para que vuelva a arrancar.
2	El botón (24) y los indicadores luminosos (25) y (26) están encendidos, y todos los indicadores luminosos del barógrafo (20) parpadean.	El índice de carga sobrepasa el nivel de sobrecarga parametrado o la capacidad del SAI.	Comprobar la potencia absorbida por los equipos conectados y desconectar los equipos que no sean prioritarios. Comprobar el nivel de sobrecarga parametrado.
3	El botón (24) y el indicador luminoso (27) están encendidos, y todos los indicadores luminosos del barógrafo (20) parpadean.	Se ha alcanzado una sobrecarga crítica en la salida del aparato. En caso de pérdida de la red de alimentación, los equipos no serán alimentados en modo batería.	Comprobar la potencia absorbida por los equipos conectados y desconectar los equipos que no sean prioritarios.
4	El indicador luminoso (27) está encendido, y todos los indicadores luminosos del barógrafo (21) parpadean.	Se ha detectado un fallo en la batería durante el test automático.	Sustituir los elementos de la batería (ver §5.2, Sustitución del módulo de batería).
5	El indicador luminoso (27) únicamente está encendido, y el buzzer emite un bip continuo.	El SAI tiene un fallo interno, y el conjunto de los equipos no recibe ya alimentación.	Ponerse en contacto con el servicio postventa.

Corrección de anomalías de un SAI equipado con un módulo HotSwap MBP



	Síntoma	Diagnóstico	Corrección
6	Los equipos conectados no están siendo alimentados cuando el conmutador rotativo (49) del módulo HotSwap MBP está en posición Bypass.	<ul style="list-style-type: none"> ▶ Los equipos están conectados en la salida del SAI en lugar de estar conectados al módulo HotSwap MBP. ▶ El cordón de la red eléctrica de alimentación está conectado en la entrada del SAI en lugar de estar conectado al módulo HotSwap MBP. 	Comprobar el cableado entre el SAI y el módulo HotSwap MBP (ver §2.6).
7	Los equipos conectados no están siendo alimentados cuando el conmutador rotativo (49) del módulo HotSwap MBP está en posición Normal.	<ul style="list-style-type: none"> ▶ El SAI está parado. ▶ El cableado no es conforme entre el SAI y el módulo HotSwap MBP. 	<ul style="list-style-type: none"> ▶ Arrancar el SAI. ▶ Comprobar el cableado entre el SAI y el módulo HotSwap MBP (ver §2.6).
8	Los equipos conectados no reciben alimentación en caso de corte de la corriente eléctrica.	<ul style="list-style-type: none"> ▶ El conmutador rotativo (49) del módulo HotSwap MBP está en posición Bypass. ▶ El cableado no es conforme entre el SAI y el módulo HotSwap MBP. 	<ul style="list-style-type: none"> ▶ Poner el conmutador rotativo (49) del módulo HotSwap MBP en posición Normal. ▶ Comprobar el cableado entre el SAI y el módulo HotSwap MBP (ver §2.6).

En caso de fallo que provoque la parada del SAI, pulsar el botón Marcha/Parada (24) para solventar el fallo.

5. Mantenimiento

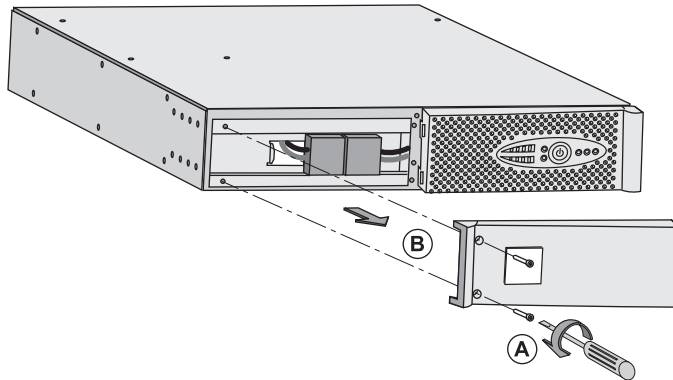
5.2 Sustitución del módulo de batería

Recordatorio de las instrucciones de seguridad:

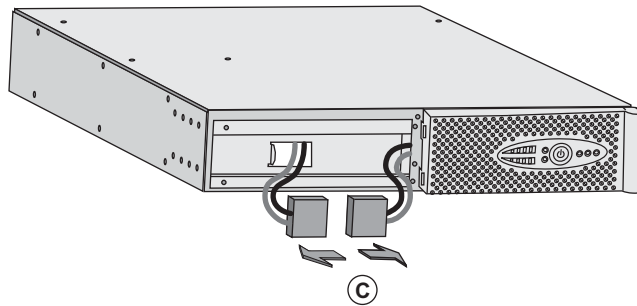
La batería presenta un riesgo de electrocución y una corriente de cortocircuito elevada. Se tendrán que tomar las precauciones siguientes para cualquier intervención en los elementos de la batería:

- Quitarse de las manos relojes, anillos, alianzas, pulseras o cualquier otro objeto metálico,
- Utilizar herramientas cuyo mango esté aislado.

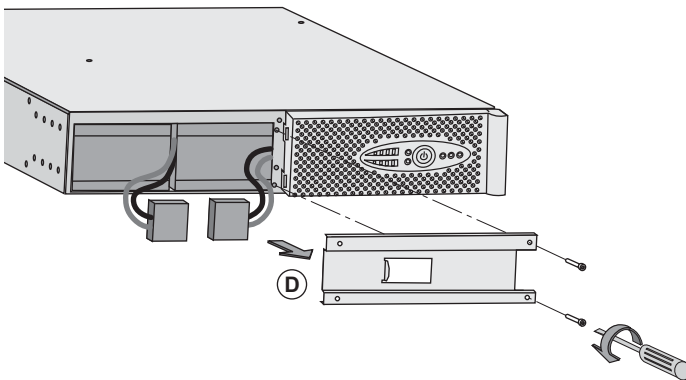
Desmontaje del módulo de batería



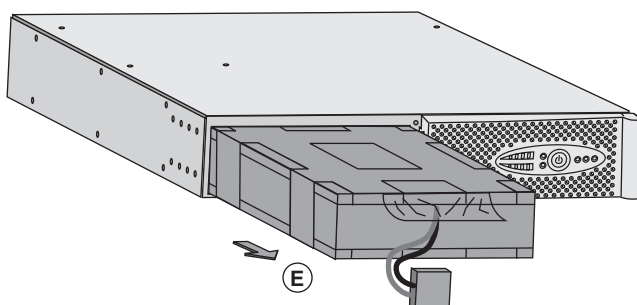
- A** - Desatornillar la parte izquierda de la cara delantera fijada con 2 tornillos.
B - Retirar esa parte.



- C** - Desconectar el bloque de batería separando los 2 conectores (no tirar nunca de los cables).



- D** - Quitar la cubierta metálica de protección de la batería fijada con 2 tornillos.



- E** - Extraer el bloque de la batería tirando de la lengüeta de plástico y proceder a su sustitución.

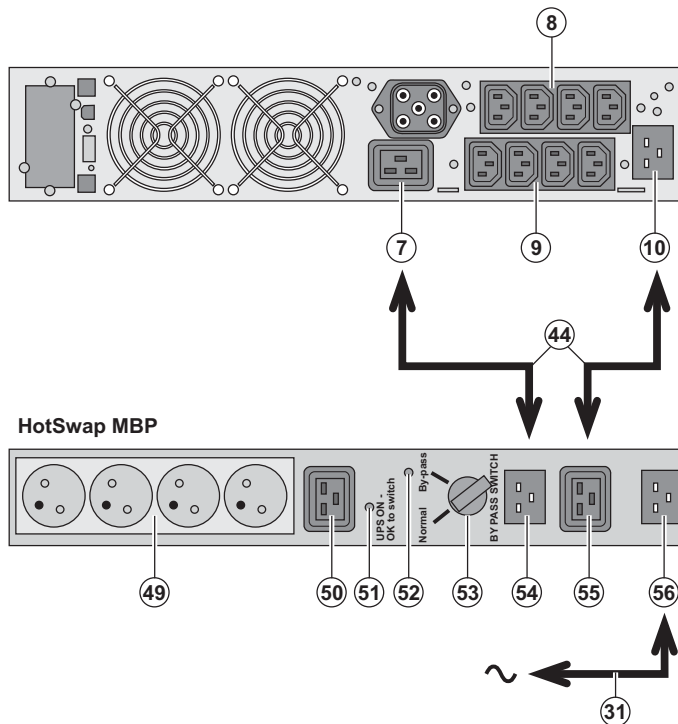
Montaje del nuevo módulo de batería

Realizar las operaciones descritas más arriba en sentido inverso.



- Para preservar la seguridad y el mismo nivel de prestaciones, utilizar elementos de batería suministrados por EATON.
- Procuren acoplar bien hasta el fondo las partes machos y hembras del conector cuando realicen la conexión.

5.3 Mantenimiento de un SAI equipado con un módulo HotSwap MBP



La función del módulo **HotSwap MBP** es permitir el mantenimiento y, eventualmente, la sustitución del SAI sin que ello afecte a la alimentación eléctrica de los equipos conectados (función **HotSwap**).

Mantenimiento:

1 – Colocar el conmutador (**53**) en posición Bypass: el indicador luminoso rojo del módulo **HotSwap MBP** se enciende para indicar que los equipos están siendo alimentados directamente por la red eléctrica.

2 – Parar el SAI pulsando el botón Marcha/Parada (**24**) en la cara delantera del SAI: El indicador luminoso (**51**) "UPS ON - OK to switch" se apaga, ya se puede desconectar el SAI y sustituirlo.

Vuelta a funcionamiento normal:

1 – Comprobar que el SAI esté correctamente conectado al módulo **HotSwap MBP**.

2 – Poner en marcha el SAI pulsando el botón Marcha/Parada (**24**) en la cara delantera del SAI: el indicador luminoso (**51**) "UPS ON - OK to switch" se enciende en el módulo **HotSwap MBP** (en caso contrario, hay un error en la conexión entre el módulo **HotSwap MBP** y el SAI).

3 – Poner el conmutador (**53**) en posición Normal: el indicador luminoso rojo del módulo **HotSwap MBP** se apaga.

5.4 Centro de formación

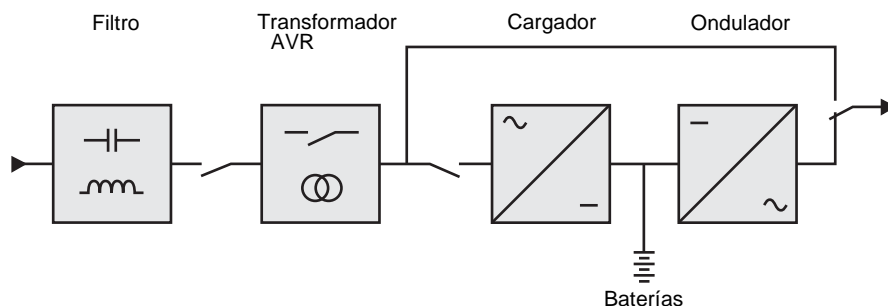


Para adquirir dominio en la explotación de su aparato EATON e intervenir a primer nivel, ponemos a su disposición un programa completo de formaciones técnicas en inglés y en francés.

For further information, please visit our website: www.eaton.com

6. Anexos

6.1 Especificaciones técnicas



	Evolution S 1250	Evolution S 1750	Evolution 2000	Evolution S 2500	Evolution S 3000
Potencia de salida	1250VA/1150W	1750VA/1600W	2000VA/1600W	2500VA/2250W	3000VA/2700W
Red eléctrica de alimentación <ul style="list-style-type: none"> ▶ Tensión de entrada nominal ▶ Margen de tensión de entrada ▶ Margen de frecuencia de entrada 	Monofásica 220~240 V de 160 V a 294 V ⁽¹⁾ 47 Hz a 70 Hz (red 50 Hz), 56,5 Hz a 70 Hz (red 60 Hz) ⁽²⁾				
Salida utilización en funcionamiento con batería <ul style="list-style-type: none"> ▶ Tensión ▶ Frecuencia 	230 V (+6/-10%) ⁽³⁾ 50/60 Hz ±0,1%				
Batería (de plomo hermético sin mantenimiento) <ul style="list-style-type: none"> ▶ Estándar 	4 x 12 V 7,2 Ah	4 x 12 V - 9 Ah		6 x 12 V 7,2 Ah	6 x 12 V 9 Ah
▶ Extensión posible (hasta 4 EXB)	Evolution S EXB 1250/1750 ⁽⁴⁾		No	Evolution EXB S 2500/3000 ⁽⁵⁾	
Medio ambiente <ul style="list-style-type: none"> ▶ Temperatura de funcionamiento ▶ Temperatura de almacenamiento ▶ Humedad 	0°C a 40°C -25°C a 40°C 20% a 90% (sin condensación)				
▶ Nivel acústico	< 45 dBA			< 50 dBA	

(1) Umbrales alto y bajo ajustables con el software **Personal Solution-Pac**.

(2) Hasta 40Hz en modo de sensibilidad baja (programable con el software **Personal Solution-Pac**).

(3) Ajustable entre 200V (desclasificación de un 10% de la potencia de salida) / 208V / 220V / 230V / 240V

(4) Batería **Evolution S EXB 1250/1750**: 2 cadenas de 4 x 12V / 9Ah.

(5) Batería **Evolution S EXB 2500/3000**: 2 cadenas de 6 x 12V / 9Ah.

6.2 Glosario

AC By-pass	Vía derivada de la red eléctrica de alimentación, controlada por el SAI y que permite una alimentación directa de los equipos a través de la red eléctrica en caso de sobrecarga o de fallo en el funcionamiento del ondulator.
AC Normal	Se trata de la red eléctrica de alimentación normal del SAI.
Arranque con batería	Permite la puesta en tensión de los equipos conectados al SAI en ausencia de corriente eléctrica de alimentación. El SAI funciona entonces solamente con la batería.
Autonomía	Tiempo durante el cual los equipos son alimentados por el SAI funcionando con batería.
Descarga profunda	Descarga de la batería superior al límite permitido y que provoca daños irreversibles en la batería.
Equipos	Aparatos o dispositivos conectados en la salida del SAI.
FlexPDU	Módulo de tomas de salida del SAI para instalación en un bastidor. Existen diferentes tipos de módulos correspondientes a diferentes tipos de tomas.
HotSwap MBP	Módulo de derivación manual del SAI con vistas al mantenimiento. Existen diferentes tipos de módulos correspondientes a diferentes tipos de tomas.
Índice de carga	Relación entre la potencia consumida por los equipos conectados al SAI y la potencia máxima que puede suministrar el SAI.
Marcha/Parada del ondulator mediante software	Permite autorizar o prohibir al software de protección de los sistemas informáticos la activación de secuencias de Marcha/Parada del SAI.
Modo "booster"	Modo de funcionamiento automático del SAI que permite que vuelva a subir la tensión de la red eléctrica, en caso de debilidad de ésta, por encima de un valor definido en la personalización, y ello sin que se descargue la batería.
Modo "fader"	Modo de funcionamiento automático del SAI que permite bajar la tensión de la red eléctrica, en caso de valor demasiado elevado de ésta, por debajo de un valor definido en la personalización, y ello sin que se descargue la batería.
Personalización	Programación de determinados parámetros diferente de la configuración estándar de salida de fábrica. Determinadas funciones del SAI pueden ser modificadas con el software Personal Solution-Pac para satisfacer mejor sus necesidades.
SAI	Alimentación Ininterrumpida.
Test de la batería	Test interno del SAI que permite comprobar el estado de la batería.
Tomas programables	Tomas controlables para eliminación automática de carga, parada a distancia y arranque secuencial (personalización con el software Personal Solution-Pac).
Umbral de prealarma de final de autonomía de la batería	Se trata de un umbral del nivel de tensión de la batería que permite detectar la proximidad del final de autonomía de la batería y tomar entonces las medidas que impone el corte próximo de tensión en los equipos.

Evolution

S 1250 RT 2U

S 1750 RT 2U

2000 RT 2U

S 2500 RT 2U

S 3000 RT 2U

S 3000 RT 3U

S EXB 1250/1750 RT 2U

S EXB 2500/3000 RT 2U

S EXB 2500/3000 RT 3U

**Installatie- en
gebruikershandleiding**



Pulsar Series

EATON

Powering Business Worldwide

Hartelijk dank dat u een van de producten van EATON hebt gekozen voor de beveiliging van uw apparatuur.

De **Evolution** -lijn is met de grootst mogelijke zorg ontwikkeld.

Voor een optimaal gebruik van uw **UPS (Uninterruptible Power Supply - ononderbroken Stroomvoorziening)** adviseren wij u om de tijd te nemen en deze handleiding goed te lezen.

Lees voor het plaatsen van de **Evolution** dit boekje goed door. U vindt er belangrijke veiligheidsvoorschriften. Volg daarna de aanwijzingen uit deze handleiding op.

Maak kennis met het leveringsprogramma van EATON en met de opties van de **Evolution**-lijn en surf naar onze website: www.eaton.com, of neem contact op met uw vertegenwoordiger van EATON.

Zorg voor het milieu

Het beleid van EATON is gericht op bescherming en behoud van het milieu.

Onze producten worden milieuvriendelijk ontworpen.

Stoffen

Dit product bevat geen CFC's, HCFC's of asbest.

Verpakking

Om afval beter te verwerken en recycling te bevorderen moeten de onderdelen van de verpakking gescheiden worden verwerkt.

► De doos bestaat voor meer dan 50% uit gerecycled karton.

► Zakken en zakjes zijn gemaakt van polyethyleen.

► Het verpakkingsmateriaal is geschikt voor recycling en voorzien van het



symbool.

Materiaal	Afkorting	Numme in het	01 PET symbool
Polyethyleen tereftalaat	PET	01	
Hoge-dichtheid polyethyleen	HDPE	02	
Polyvinylchloride	PVC	03	
Lage-dichtheid polyethyleen	LDPE	04	
Polypropyleen	PP	05	
Polystyreen	PS	06	

Houd u aan de ter plaatse geldende voorschriften voor het verwerken van de verpakking;

Einde levensduur

EATON streeft ernaar om afgedankte producten te verwerken volgens de ter plaatse geldende wettelijke voorschriften.

EATON werkt samen met bedrijven die onze afgedankte producten inzamelen en verwerken.

Product

Het product is vervaardigd van recyclebare materialen.

Ontmanteling en vernietiging moeten plaatsvinden volgens de ter plaatse geldende voorschriften voor de verwerking van afval.

Afgedankte producten moeten worden aangeboden bij een centrum voor verwerking van elektrisch en elektronisch afval.

Accu

Het toestel bevat loodaccu's die moeten worden verwerkt volgens de ter plaatse geldende voorschriften voor accu's.

Om aan deze voorschriften te voldoen en de accu op milieuvriendelijke wijze te verwerken, kan hij uit het toestel worden verwijderd.

Inleiding

Gebruikte pictogrammen



Volg deze aanwijzingen altijd op.



Informatie, tips, hulp.



Handel volgens de zichtbare aanduiding.



Voer de aangegeven handeling uit.



Geluidssignaal.

In deze handleiding wordt het branden van lampjes in de illustraties als volgt weergegeven:



Lampje uit.



Lampje aan.



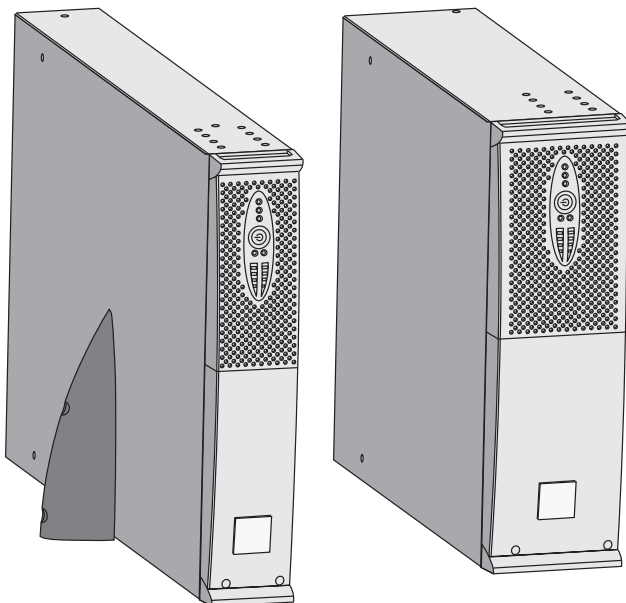
Knipperend lampje.

1. Beschrijving	
1.1 Standaardopstellingen	6
Tower-opstelling	6
Rack-opstelling	6
1.2 Achterkant	7
Evolution 2500 / 3000	7
Evolution 1250 / 1750 / 2000	7
Evolution EXB (optionele accumodule)	7
1.3 Bedieningspaneel	7
2. Installatie	
2.1 Uitpakken en controle van de inhoud	8
2.2 Plaatsing in tower-opstelling	9
2.3 Plaatsing in rack-opstelling	9
2.4 Communicatiepoorten	10
Aansluiten van de RS232- of USB-communicatiepoort (facultatief)	10
Installatie van communicatiekaarten (optie)	10
Eigenschappen van de contactgestuurde communicatiepoort (optie)	10
2.5 Aansluiting op een FlexPDU-module (Power Distribution Unit – elektrische verdeelkast)	11
2.6 Aansluiting op een HotSwap MBP-module	11
Werking van de HotSwap MBP-module	12
2.7 Aansluiten van een UPS zonder FlexPDU- of HotSwap MBP-module	12
3. Gebruik	
3.1 Ingebruikname en normaal bedrijf	13
3.2 Accubedrijf	13
3.3 Terugkeer van het elektriciteitsnet	14
3.4 Uitschakelen van de UPS	14
3.5 Gebruik van de remote bedieningsfuncties van de UPS	14
4. Instellingen via externe software	16
5. Onderhoud	
5.1 Problemen oplossen	17
Problemen oplossen bij een UPS met HotSwap MBP-module	17
5.2 Vervangen van de accumodule	18
Veiligheidsvoorschriften	18
Demonteren van de accumodule	18
Plaatsen van de nieuwe accumodule	19
5.3 Onderhoud van een UPS met een HotSwap MBP-module	19
5.4 Trainingscentrum	19
6. Bijlagen	
6.1 Technische gegevens	20
6.2 Definities	21

1. Beschrijving

1.1 Standaardopstellingen

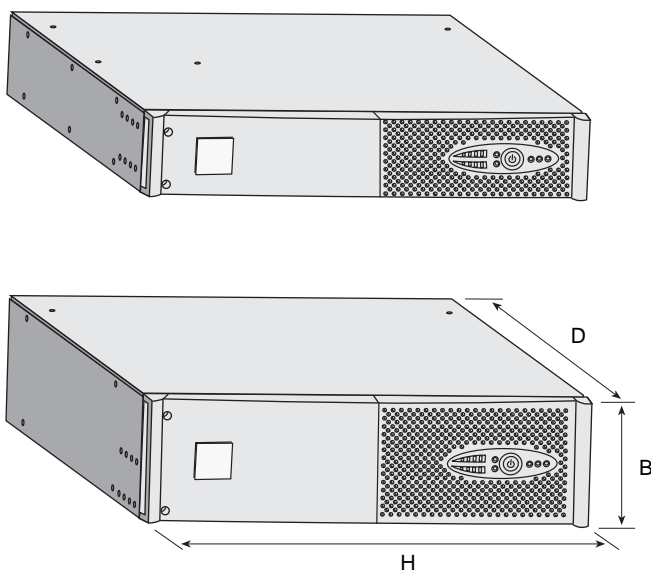
Tower-opstelling



Overzicht afmetingen (H x B x D) in mm	
S 1250 RT 2U S 1750 RT 2U 2000 RT 2U	440 x 86 x 509
S 2500 RT 2U S 3000 RT 2U	440 x 86 x 634
S 3000 RT 3U	440 x 131 x 484
S EXB 1250/1750 RT 2U	440 x 86 x 509
S EXB 2500/3000 RT 2U	440 x 86 x 634
S EXB 2500/3000 RT 3U	440 x 131 x 484

Overzicht gewichten in kg	
S 1250 RT 2U	24,3
S 1750 RT 2U	26,6
2000 RT 2U	25,7
S 2500 RT 2U	33,8
S 3000 RT 2U	33,8
S 3000 RT 3U	34,3
S EXB 1250/1750 RT 2U	30,4
S EXB 2500/3000 RT 2U	41,5
S EXB 2500/3000 RT 3U	41,7

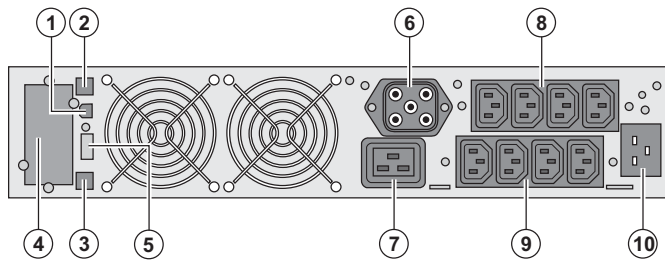
Rack-opstelling



1. Beschrijving

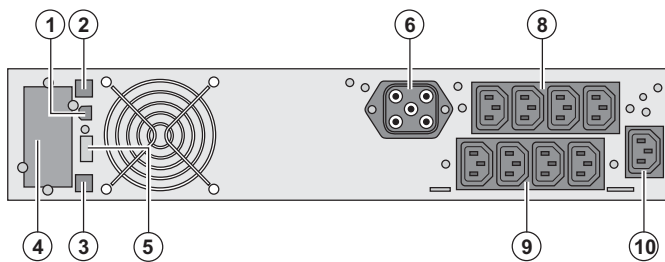
1.2 Achterkant

Evolution S 2500 / S 3000



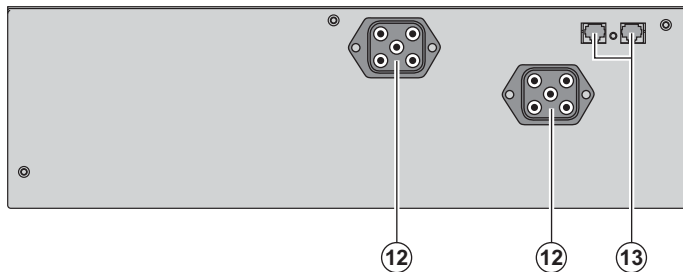
- (1) USB-communicatiepoort
- (2) RS232-communicatiepoort
- (3) Connector voor automatische herkenning van een extra accumodule
- (4) Plaats voor optionele communicatiekaart.
- (5) Connector voor aansluiting van een Remote On/Off of een noodstop.
- (6) Connector voor aansluiting van een extra accumodule (behalve **Evolution 2000**)
- (7) 16A-contactdoos voor het aansluiten van apparatuur
- (8) 2 groepen van 2 instelbare contactdozen voor het aansluiten van apparatuur
- (9) Groep van 4 contactdozen voor het aansluiten van apparatuur
- (10) Aansluiting voor het elektrische voedingsnet

Evolution S 1250 / S 1750 / 2000

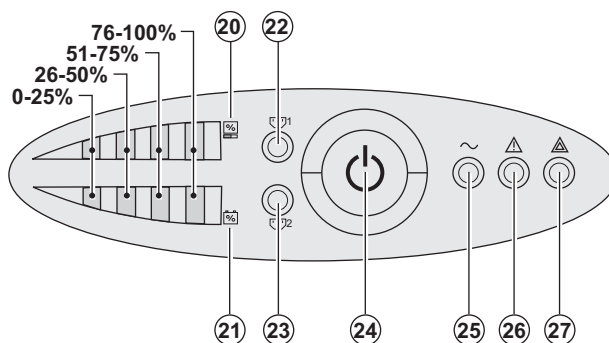


- (12) Connectoren voor het aansluiten van de accumodules (op de UPS of de andere accumodules)
- (13) Connectoren voor automatische herkenning van accumodules

Evolution S EXB (optionele accumodule)



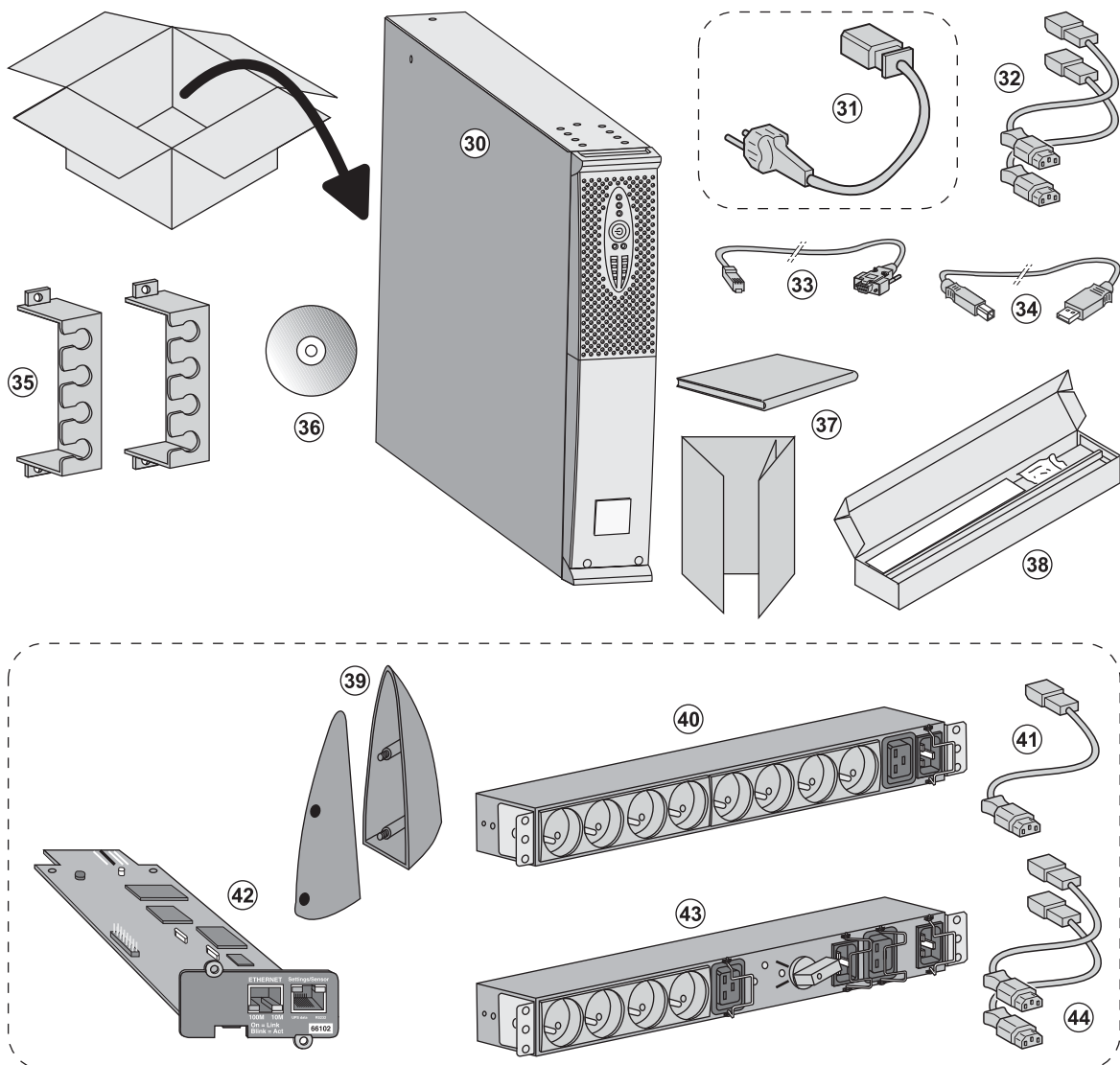
1.3 Bedieningspaneel



- (20) LEDbalk indicator van het opgenomen vermogen aan de uitgang
- (21) LEDbalk indicator van het laadniveau van de accu
- (22) Instelbare contactdozen 1 worden gevoed
- (23) Instelbare contactdozen 2 worden gevoed
- (24) Verlichte On/Off-knop van de uitgaande contactdozen
- (25) Lampje beveiligde apparatuur
- (26) Lampje storingsbedrijf
- (27) Lampje niet-beveiligde apparatuur

2. Installatie

2.1 Uitpakken en controle van de inhoud



(30) UPS Evolution.

(31) Aansluitsnoer op het elektriciteitsnet (alleen uitvoeringen **Evolution S 2500** en **S 3000**).

(32) 2 snoeren voor het aansluiten van de apparatuur.

(33) RS232-communicatiekabel.

(34) USB-communicatiekabel.

(35) 2 borgsystemen voor de voedingskabels van de apparatuur.

(36) **Solution Pac**-CD-ROM.

(37) Documentatie.

(38) Montageset voor 19 inch kast.

Afhankelijk van uitvoering of opties worden geleverd:

(39) 2 steunen voor verticale plaatsing (alleen model RT 2U).

(40) **FlexDPU** -module (optie).

(41) Aansluitsnoer van **FlexPDU**-module naar UPS.

(42) **NMC** -communicatiekaart (optie, standaard bij Netpack-uitvoeringen).

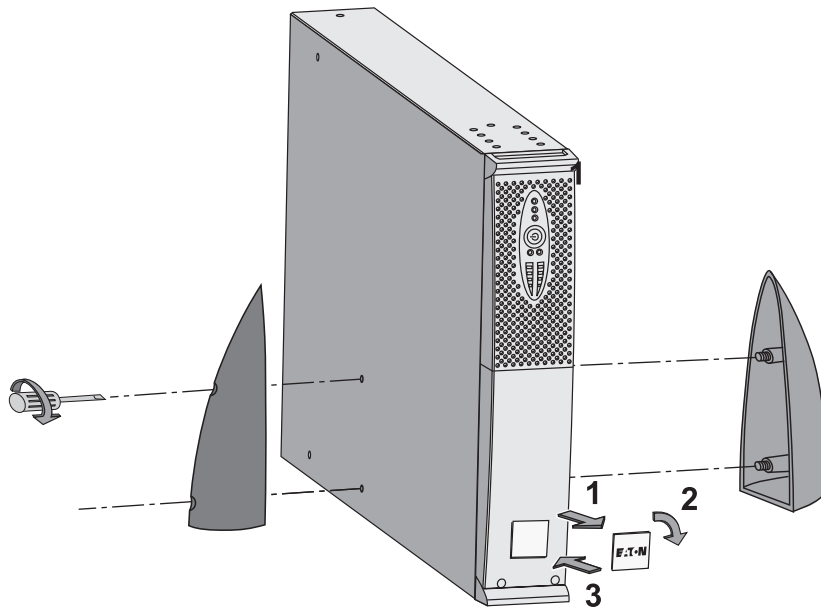
(43) **HotSwap MBP** -module (optie).

(44) Aansluitsnoeren van **HotSwap MBP**-module naar UPS.



De verpakkingen moeten worden verwerkt volgens de geldende voorschriften voor afval. Ze zijn voorzien van recycling-symbolen om gescheiden verwerking te vergemakkelijken.

2.2 Plaatsing in tower-opstelling



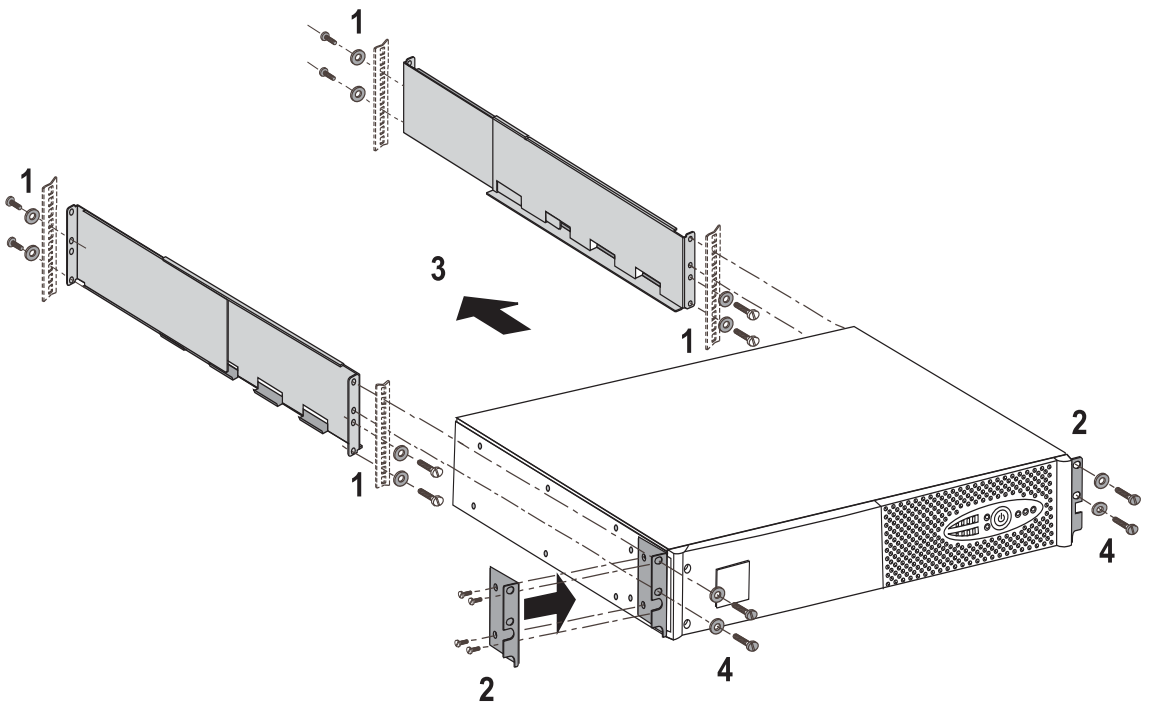
NB: de steunen voor verticale plaatsing worden alleen gebruikt bij de RT 2U-modellen.

2.3 Plaatsing in rack-opstelling

Geadviseerd wordt om de accumodule eerst te monteren en vervolgens de vermogensmodule daar bovenop.



Volg de stappen 1 tot en met 4 voor het monteren van de module op zijn rails.



De rails en de montagebenodigdheden worden geleverd door EATON.

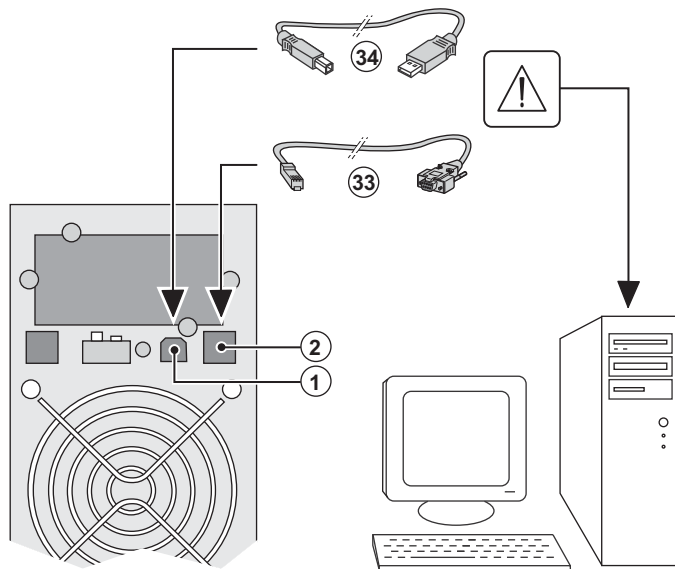
2. Installatie

2.4 Communicatiepoorten

Aansluiten van de RS232- of USB-communicatiepoort (facultatief)



De RS232-communicatiepoort en de USB-communicatiepoort kunnen niet tegelijkertijd in werking zijn.

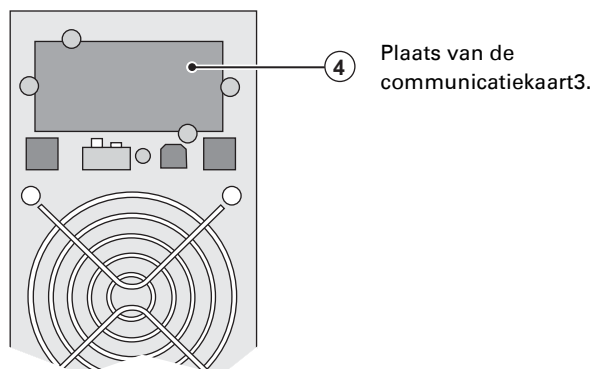


1 – Sluit de RS232-communicatiekabel (33) of de USB-communicatiekabel (34) aan op de seriële of USB-poort van de computerapparatuur.

2 - Sluit het andere eind van de communicatiekabel (33) of (34) aan op de USB-communicatiepoort (1) of de RS232-communicatiepoort (2) van de UPS.

De UPS kan nu communiceren met besturings-, configuratie- of beveiligingssoftware van EATON.

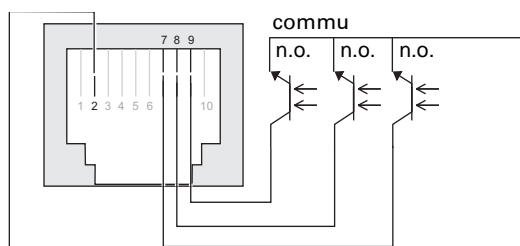
Installatie van de communicatiekaarten (optie, standaard bij Netpack-uitvoeringen)



De UPS hoeft niet te worden uitgeschakeld om de communicatiekaart te installeren:

- 1 -Verwijder het beschermplaatje (4) van de UPS (dit is bevestigd met schroeven).
- 2 - Plaats de communicatiekaart op de daarvoor bestemde plaats.
- 3 – Breng het beschermplaatje weer op zijn plaats aan en schroef het vast.

Eigenschappen van de contactgestuurde communicatiepoort (optie)



- Pen 1, 3, 4, 5, 6, 10 : niet in gebruik
- Pen 2: gemeenschappelijk gebruiker
- Pen 7: accuspanning laag
- Pen 8: accubedrijf.
- Pen 9: UPS in bedrijf, apparatuur gevoed

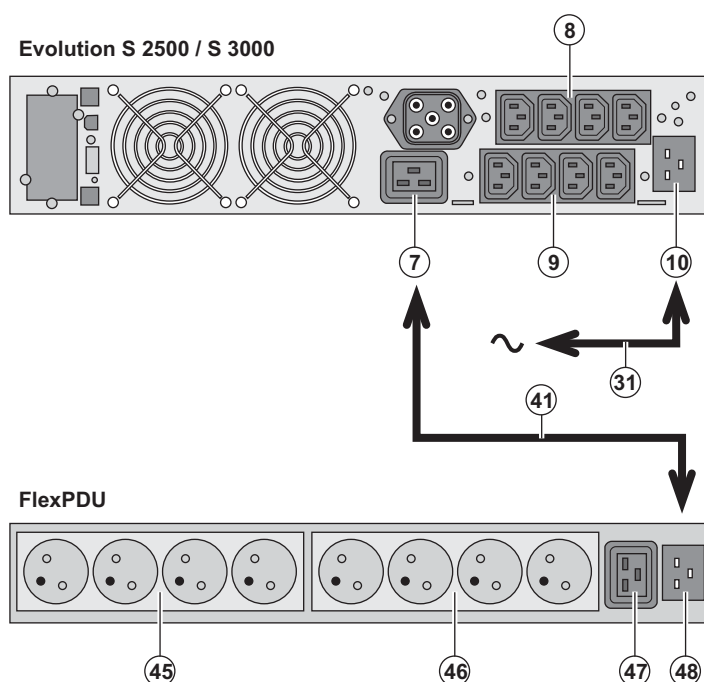
n.o. : normaal geopend contact.

Wanneer er een informatiesignaal actief is, wordt het contact tussen gemeenschappelijke pen 4 en de pen van de desbetreffende informatie gesloten.

Eigenschappen van de contacten (optische koppellementen)

- Spanning: max. 48 V DC
- Stroom: max. 25 mA
- Vermogen: 1.2 W

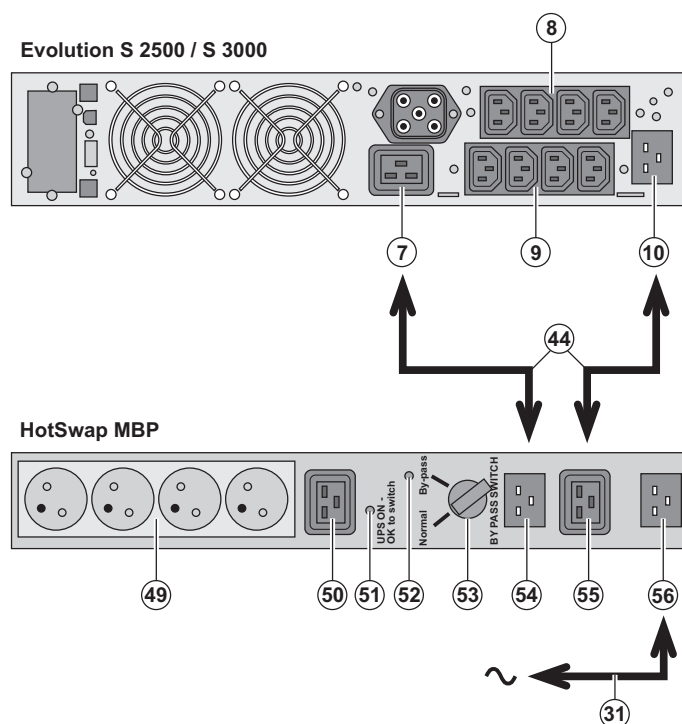
2.5. Aansluiting op een FlexPDU-module (Power Distribution Unit – elektrische verdeelkast) (optie)



- 1 - **Evolution S 2500 / S 3000**: sluit de ingang (10) van de UPS met bijgeleverd snoer (31) aan op het elektriciteitsnet. **Evolution S 1250 / S 1750 / 2000**: gebruik de voedingskabel van de te beveiligen apparatuur.
- 2 - **Evolution S 2500 / S 3000**: verbind de ingang voor het elektriciteitsnet van de **FlexPDU**-module (48) met de uitgang (7) van de UPS door middel van het bijgeleverde snoer (41).
- Evolution S 1250 / S 1750 / 2000**: verbind de ingang voor het elektriciteitsnet van de **FlexPDU**-module (48) met één van de uitgangen (9). Deze kabel en aansluitingen zijn in rood aangegeven.
- 3 - Sluit de apparatuur aan op de contactdozen (45), (46) en (47) van de **FlexPDU**-module. Het type contactdoos verschilt per model **FlexPDU**-module.
- 4 – Borg de kabels met de metalen klemmen van de contactdozen.

2.6 Aansluiting op een HotSwap MBP-module (optie)

De **HotSwap MBP**-module dient om onderhoud en eventueel vervanging van de UPS mogelijk te maken zonder gevolgen voor de elektrische voeding van de aangesloten apparatuur (**HotSwap**-functie).

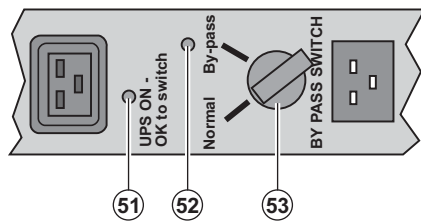


- 1 - Sluit de ingang (56) van de **HotSwap MBP**-module op het elektriciteitsnet aan met behulp van het bijgeleverde snoer (31).
 - 2 - Verbind de ingang voor het elektriciteitsnet van de UPS (10) met de "UPS Input" (55) van de **HotSwap MBP**-module door middel van het bijgeleverde snoer (44). Deze kabels en aansluitingen zijn in blauw aangegeven.
 - 3 - **Evolution S 2500 / S 3000**: verbind de uitgang (7) van de UPS met de "UPS Output" (54) van de **HotSwap MBP**-module door middel van het bijgeleverde snoer (44). **Evolution S 1250 / S 1750 / 2000**: verbind één van de uitgangen (9) van de UPS met de "UPS Output" (54) van de **HotSwap MBP**-module. Deze kabels en aansluitingen zijn in rood aangegeven.
 - 4 – Sluit de apparatuur aan op de contactdozen (49) en (50) van de **HotSwap MBP**-module. Het type contactdoos verschilt per model **HotSwap**-module.
- Waarschuwing: de contactdozen (8) en (9) van de UPS niet gebruiken voor de voeding van de apparatuur: als de schakelaar (53) van de HotSwap MBP-module namelijk wordt omgezet, zal de stroomtoevoer naar deze apparatuur worden onderbroken.**



2. Installatie

Werking van de HotSwap MBP-module



De **HotSwap MBP**-module is voorzien van een draaischakelaar (53) met 2 standen:
Normal: de apparatuur wordt gevoed door de UPS.

By-pass: de apparatuur wordt gevoed door het elektriciteitsnet.

In bedrijf stellen van de UPS met de HotSwap MBP-module:

- 1 - Controleer of de UPS goed op de **HotSwap MBP**-module is aangesloten.
 - 2 - Zet de schakelaar (53) op Normal.
 - 3 - Start de UPS door op de Aan/Uit-knop (24) aan de voorkant van de UPS te drukken.
- De apparatuur wordt nu door de UPS gevoed.
Lampje (51) "UPS ON - OK to switch" gaat nu branden op de **HotSwap MBP**-module.

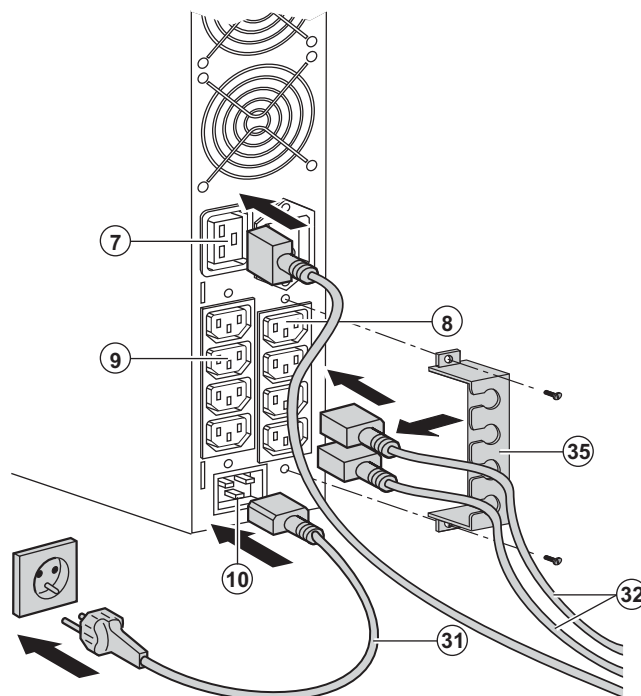
Testen van de HotSwap MBP-module

- 1 - Zet de schakelaar (53) op By-pass en controleer of de apparatuur nog steeds wordt gevoed.
- 2 - Zet de schakelaar (53) weer op Normal.

2.7 Aansluiten van een UPS zonder FlexPDU- of HotSwap MBP-module



Controleer of de opschriften op het typeplaatje aan de achterkant van het toestel overeenkomen met de gegevens van het elektriciteitsnet en het feitelijke stroomverbruik van de aangesloten apparatuur.



1 - **Evolution S 1250 / S 1750 / 2000**: sluit de ingang (10) van de UPS op het elektriciteitsnet aan door middel van de voedingskabel van de te beveiligen apparatuur.

Evolution S 2500 / S 3000: sluit de bijgeleverde voedingskabel (31) (250V - 16A) aan op contactdoos (10) en vervolgens op het elektriciteitsnet.

2 - Sluit de apparatuur op de UPS aan met de snoeren (32).

Sluit de belangrijkste apparatuur bij voorkeur aan op de 4 contactdozen (9) en minder belangrijke apparatuur op de 4 contactdozen (8) die per paar kunnen worden geprogrammeerd (1 en 2). Bij de modellen Evolution S 2500 / S 3000, moet apparatuur met een hoger vermogen worden aangesloten op contactdoos (7), die een stroom van 16A kan leveren.

Om de contactdozen (8) bij accubedrijf te kunnen afschakelen en daarmee de gebruikstijd van de accu te kunnen verlengen moet gebruik kunnen worden gemaakt van de communicatiesoftware van EATON.

3 - Borg de aansluitingen door middel van het kabelklemsysteem (35).

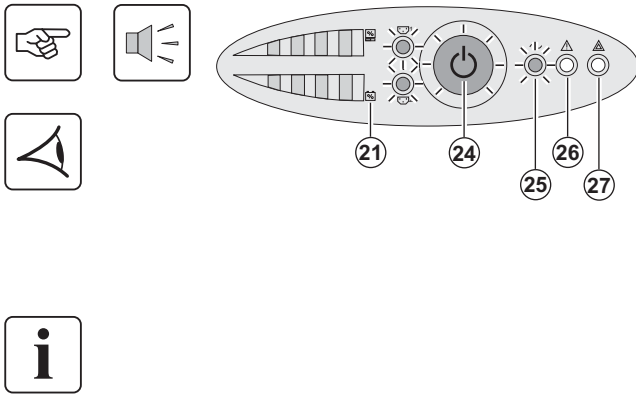


NB: het toestel laadt de accu op zodra het elektriciteitsnet wordt aangesloten. Knop (24) hoeft niet te worden ingedrukt.

Nadat het toestel voor het eerst onder spanning is gebracht duurt het ten minste 8 uur voordat de accu gedurende de nominale gebruiksduur energie kan leveren.



3.1 Ingebruikname en normaal bedrijf



Druk gedurende ongeveer 1 seconde op de knop (24).

► De zoemer geeft een geluidssignaal en alle lampjes gaan tegelijk branden.

► Als de netspanning aanwezig is branden knop (24) en lampje (25): de apparatuur wordt gevoed door het elektriciteitsnet. Als de omstandigheden dit toelaten voert de UPS een acutest uit die gesignaleerd wordt door de lampjes (21) en door de zoemer.

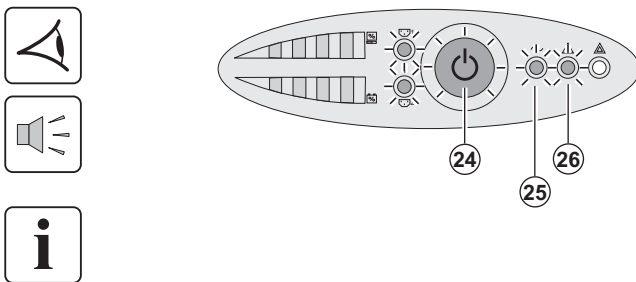
► Als de netspanning afwezig is branden knop (24) en de lampjes (25) en (26): de apparatuur wordt gevoed door de UPS die op de accu werkt.

De aangesloten apparatuur wordt nu door de UPS gevoed.

Als lampje (27) brandt, is er een storing aanwezig (zie hoofdstuk "Storingen").

3.2 Accubedrijf

Overschakelen op accubedrijf



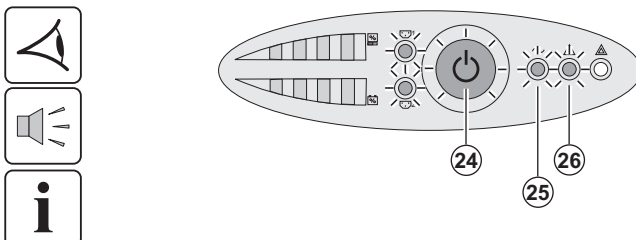
► De voeding van de aangesloten apparatuur wordt door de UPS overgenomen op het moment dat het elektriciteitsnet uitvalt. De energie wordt dan door de accu geleverd.

► Knop (24) en de lampjes (25) en (26) branden.

► Om de 10 seconden klinkt een geluidssignaal.

De aangesloten apparatuur wordt door de accu gevoed.

Drempelwaarde voor de voorwaarschuwing "Accu bijna leeg"



► Knop (24) en de lampjes (25) en (26) branden.

► Om de 3 seconden klinkt een geluidssignaal.

De accu is bijna leeg.

Sluit alle toepassingen op de aangesloten apparatuur: de UPS zal binnen zeer korte tijd worden uitgeschakeld.

3. Gebruik

Accu leeg



- ▶ Alle lampjes zijn uit.
- ▶ Het akoestische waarschuwingssignaal is uit.

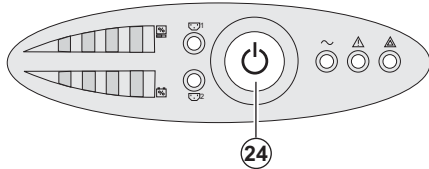


De UPS is volledig uitgeschakeld.

3.3 Terugkeer van de netspanning

Nadat hij is uitgeschakeld, start de UPS automatisch weer op zodra de netspanning terugkeert (tenzij deze functie is uitgeschakeld via instellingen van de UPS); de aangesloten apparatuur wordt weer gevoed.

3.4 Uitschakelen van de UPS



Druk langer dan 2 seconden op knop (24).

De op de UPS aangesloten apparatuur wordt niet meer gevoed.

3.5 Gebruik van de remote bedieningsfuncties van de UPS

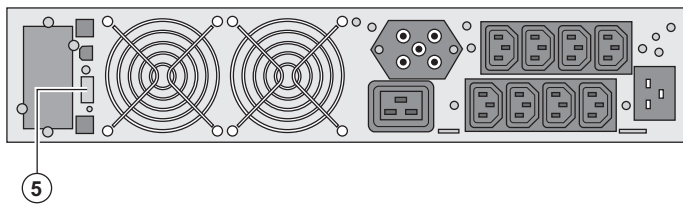
Evolution biedt keus uit twee remote bedieningsystemen.

▶ **RPO**: functie voor remote uitschakelen van de UPS (**R**emote **P**ower **O**ff) die gebruikt wordt om alle op de UPS aangesloten apparatuur door middel van een remote gebruikerscontact uit te schakelen.

De UPS moet daarna handmatig weer ingeschakeld worden.

▶ **ROO**: functie voor remote in- en uitschakelen van de UPS (**R**emote **O**N/**O**FF) die remote gebruik van knop (24) mogelijk maakt.

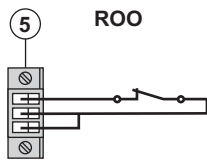
Deze functies worden mogelijk gemaakt door opening van een contact dat wordt aangesloten tussen de betreffende pinnen van de connector (5) aan de achterkant van de UPS (zie de figuren hierna).



Aansluiten en testen van remote bedieningsfuncties

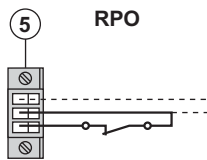


- 1 – Controleer of de UPS op OFF staat en van het elektrische voedingsnet losgekoppeld is.
- 2 – Verwijder de connector (5) door de schroeven los te draaien.
- 3 – Sluit een geïsoleerd droog normaal gesloten contact (60 VDC / 30 VAC max., 20 mA max., kabel diameter 0,75 mm²) aan tussen de twee pinnen van de connector (5), zie figuur.



Contact open: UPS schakelt uit
Contact gesloten: UPS schakelt in (indien UPS aangesloten op netspanning en netspanning aanwezig)

NB: lokaal in- en uitschakelen met knop (24) blijft voorrang hebben boven remote bediening.



Contact open: UPS schakelt uit, lampje (26) gaat branden.

Om terug te gaan naar normale modus moet u het externe contact voor remote uitschakelen deactiveren en de UPS herstarten met knop (24).

4 – Steek de connector (5) in het daarvoor bestemde contactgat aan de achterkant van de UPS.

5 – Sluit de UPS aan en herstart het systeem volgens de hierboven beschreven procedures.

6 – Activeer het externe contact voor remote uitschakelen om de functie te testen.



Waarschuwing: deze connector mag uitsluitend op ZLVS-circuits (zeer lage veiligheidsspanning) aangesloten worden.

4. Instellingen via externe software



- ▶ Plaats de **Solution-Pac** CD-ROM in de CD-speler.
- ▶ Kies in het eerste venster van de browser "Solution Point à Point" (stapsgewijze oplossing) en volg de aanwijzingen om de **Personal Solution-Pac**-software te installeren.
- ▶ Kies vervolgens "Configuration" (configuratie), en dan "Configuration avancée" (geavanceerd) en "Paramètres onduleur" (parameters wisselrichter).

Let op: de versies voor Linux/Unix/MacOS van de **Personal Solution-Pac**-software bieden deze mogelijkheid niet. De volgende parameters kunnen worden gewijzigd (een gedetailleerde uitleg is steeds beschikbaar in de **Personal Solution-Pac** software):

Primaire output-instellingen

Functie	Fabrieksinstellingen	Andere keuzemogelijkheden
Uitgangsspanning bij accubedrijf	230 Volt AC	200/208/220/240 Volt AC
Drempelwaarde waarschuwing overbelasting gebruiker	105%	30/50/70%

Instellingen spanningsdrempels

Functie	Fabrieksinstellingen	Andere keuzemogelijkheden
Bovendrempel voor overschakelen op accubedrijf	294 Volt AC	271 tot 294 Volt AC
Onderdrempel voor overschakelen op accubedrijf	160 Volt AC	160 tot 180 Volt AC
Activeringsdrempel van de "fader"-functie	265 Volt AC	244 tot 265 Volt AC
Activeringsdrempel van de "booster"-functie	184 Volt AC	184 tot 207 Volt AC
Maximaal bereik ingangsspanning	Uit	Aan ⁽¹⁾

(1) Onderdrempel voor overschakelen op accubedrijf: 150V.

Instelling gevoeligheid UPS

Functie	Fabrieksinstellingen	Andere keuzemogelijkheden
Gevoelighedsniveau UPS	Normaal	Hoog of laag

Instellen Aan/Uit-functies van de UPS

Functie	Fabrieksinstellingen	Andere keuzemogelijkheden
Automatisch opstarten	Aan	Uit
Opstarten op accu	Aan	Uit
Geforceerd uitschakelen	Aan	Uit
Energiebesparing functie	Uit	Aan
In/uitschakelen van de UPS via software	Aan	Uit
Accuniveau vóór opnieuw opstarten	0%	0 tot 100%

Instellingen accu

Functie	Fabrieksinstellingen	Andere keuzemogelijkheden
Frequentie accutest	Wekelijks	Geen test / dagelijks / maandelijks
Voorwaarschuwing "accu bijna leeg"	20%	0 tot 100%
Beveiliging tegen volledig ontladen	Aan	Uit
Geluidssignaal	Aan	Uit
Extra accumodule (alleen bij modellen Evolution S)	Automatische detectie van het aantal accumodules	Voor specifieke accu's, van 25 tot 81 Ah

5.1 Problemen oplossen

	Gebeurtenis	Oorzaak	Oplossing
1	Bij het opstarten van de UPS door middel van knop (24), gaan alle lampjes één keer branden en geeft de zoemer één geluidssignaal. Vervolgens blijft lampje (26) branden.	De UPS is uitgeschakeld door inwerkingtreding van het "noodstop"-contact (RPO) dat opnieuw starten onmogelijk maakt.	Zet het contact weer in zijn normale stand en druk op knop (24) om weer in te schakelen.
2	Knop (24) en de lampjes (25) en (26) branden, en alle lampjes van de LEDbalk indicator (20) knipperen.	Het belastingniveau is hoger dan het geprogrammeerde overbelastingniveau of de capaciteit van de UPS.	Controleer het vermogen dat wordt opgenomen door de aangesloten apparatuur en ontkoppel minder belangrijke apparatuur. Controleer het geprogrammeerde overbelastingniveau.
3	Knop (24) en lampje (27) branden, en alle lampjes van de LEDbalk indicator (20) knipperen.	Kritische overbelasting bereikt aan de uitgang van het toestel. In geval van een storing in het elektriciteitsnet wordt de apparatuur niet gevoed bij accubedrijf.	Controleer het vermogen dat wordt opgenomen door de aangesloten apparatuur en ontkoppel minder belangrijke apparatuur.
4	Led (27) brandt en alle lampjes van de LEDbalk indicator (21) knipperen.	Tijdens de automatische test is er een storing aan de accu waargenomen.	Vervang de accu-elementen (zie §5.2, Vervangen van de accumodule).
5	Alleen led (27) brandt en de zoemer geeft een continu geluidssignaal.	In de UPS heeft zich een interne storing voorgedaan en de aangesloten apparatuur wordt niet meer gevoed.	Neem contact op met de serviceafdeling.

Problemen oplossen bij een UPS met HotSwap MBP-module



	Gebeurtenis	Oorzaak	Oplossing
6	De aangesloten apparatuur wordt niet gevoed wanneer de draaischakelaar (49) van de HotSwap MBP-module op By-pass staat.	<ul style="list-style-type: none"> ▶ De apparatuur is aangesloten op de uitgang van de UPS en niet op de HotSwap MBP-module. ▶ De voedingskabel naar het elektriciteitsnet is aangesloten op de ingang van de UPS en niet op de HotSwap MBP-module. 	Controleer de bekabeling tussen de UPS en de HotSwap MBP-module (zie §2.6).
7	De aangesloten apparatuur wordt niet gevoed wanneer de draaischakelaar (49) van de HotSwap MBP-module op Normal staat.	<ul style="list-style-type: none"> ▶ De UPS is uit. ▶ Er is een probleem met de kabels tussen de UPS en de HotSwap MBP-module. 	<ul style="list-style-type: none"> ▶ Start de UPS. ▶ Controleer de kabels tussen de UPS en de HotSwap MBP-module (zie §2.6).
8	De aangesloten apparatuur wordt niet gevoed vanwege een storing in het elektriciteitsnet.	<ul style="list-style-type: none"> ▶ De draaischakelaar (49) van de HotSwap MBP-module staat op By-pass. ▶ Er is een probleem met de kabels tussen de UPS en de HotSwap MBP-module. 	<ul style="list-style-type: none"> ▶ Zet de draaischakelaar (49) van de HotSwap MBP-module op Normal. ▶ Controleer de kabels tussen de UPS en de HotSwap MBP-module (zie §2.6).

Druk bij uitval van de UPS door een storing op de Aan/Uit-knop (24) om de storing te kwiteren.

5. Onderhoud

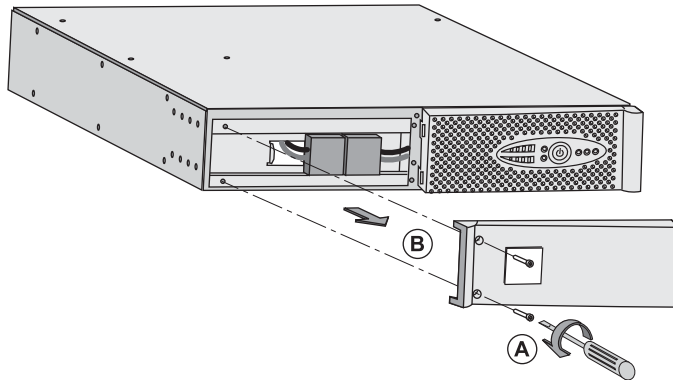
5.2 Vervangen van de accumodule

Let op: neem de volgende veiligheidsvoorschriften in acht:

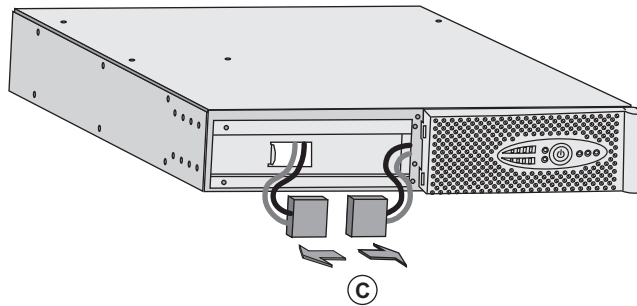
Bij werken aan de accu bestaat de kans op elektrische schokken en een hoge kortsluitstroom. Neem daarom altijd de volgende veiligheidsmaatregelen in acht:

- › Draag geen horloges, ringen, armbanden of andere metalen voorwerpen aan uw handen,
- › Gebruik gereedschap met een geïsoleerde handgreep.

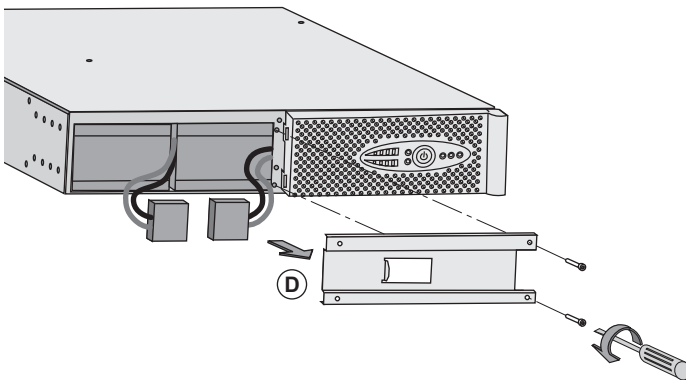
Demonteren van de accumodule



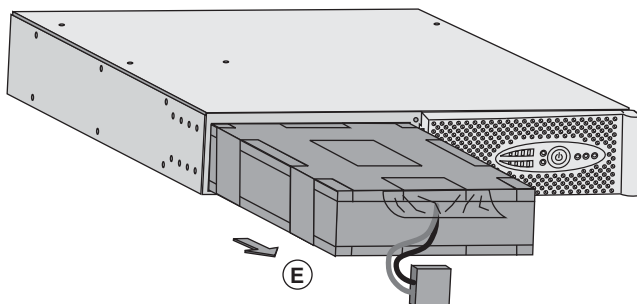
A - Schroef het linkerdeel van de voorkant los. Dit is met 2 schroeven bevestigd.
B - Verwijder dit deel.



C - Koppel het accublok af door de beide connectoren uit elkaar te trekken (nooit aan de kabels trekken).



D - Verwijder de metalen beschermkap van de accu. Deze is met 2 schroeven bevestigd.



E - Trek aan de plastic lip om het accublok uit het toestel te halen en vervang het accublok.

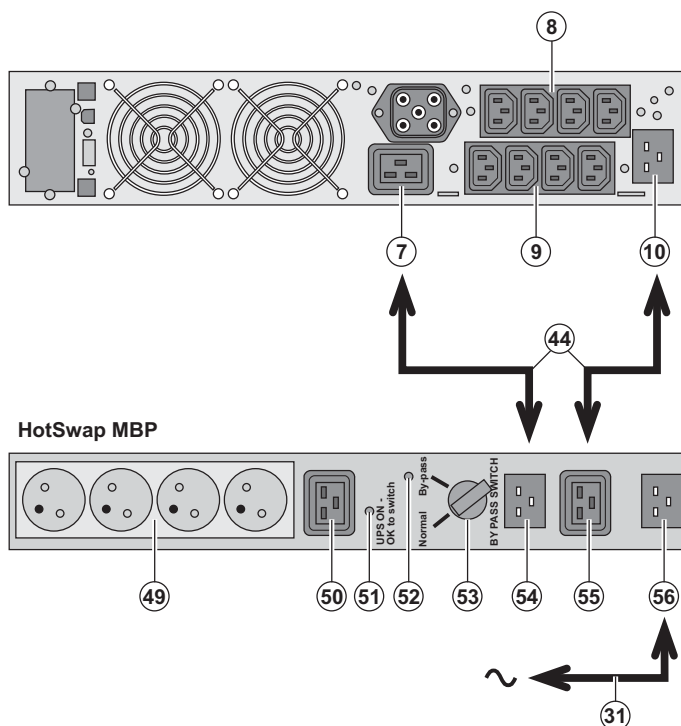
Plaatsen van de nieuwe accumodule

Voer bovenstaande handelingen in omgekeerde volgorde uit.



- Gebruik met het oog op de veiligheid en optimale prestaties alleen accu-elementen die door EATON worden geleverd.
- Druk bij het aansluiten de connectoren goed in elkaar.

5.3 Onderhoud van een UPS met HotSwap MBP-module



De **HotSwap MBP**-module dient om onderhoud en eventueel vervanging van de UPS mogelijk te maken zonder gevolgen voor de elektrische voeding van de aangesloten apparatuur (**HotSwap**-functie).

Onderhoud:

1 - Zet schakelaar (**53**) op By-pass: het rode lampje van de **HotSwap MBP**-module gaat branden om aan te geven dat de apparatuur rechtstreeks vanuit het elektriciteitsnet wordt gevoed.

2 - Schakel de UPS uit door op de Aan/Uit-knop (**24**) aan de voorkant van de UPS te drukken: het lampje (**51**) "UPS ON - OK to switch" gaat uit, de UPS kan nu worden afgekoppeld en vervangen.

Terug naar normaal bedrijf:

1 - Controleer of de UPS goed op de **HotSwap MBP**-module is aangesloten.

2 - Schakel de UPS in door op de Aan/Uit-knop (**24**) aan de voorkant van de UPS te drukken. lampje (**51**) "UPS ON - OK to switch" gaat branden op de **HotSwap MBP**-module (zo niet, dan is er een probleem met de aansluiting van de **HotSwap MBP**-module op de UPS).

3 - Zet de schakelaar (**53**) op Normal: het rode lampje van de **HotSwap MBP**-module gaat uit.

5.4 Trainingscentrum

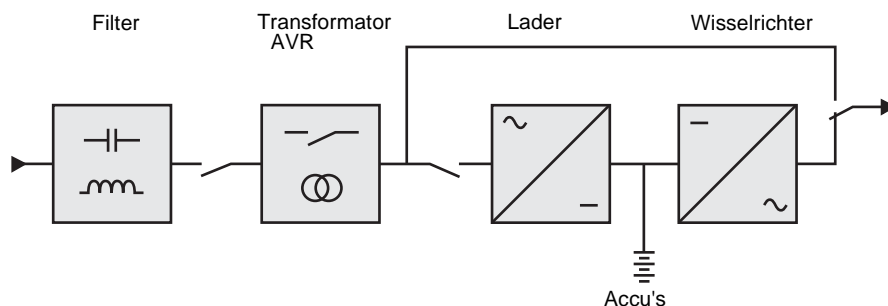


Om volledig vertrouwd te raken met het gebruik van uw toestel van EATON en om op het hoogste niveau problemen te kunnen verhelpen, bieden wij u een compleet programma met technische opleidingen aan. Deze worden in het Engels en Frans gegeven.

For further information, please visit our website: www.eaton.com

6. Bijlagen

6.1 Technische gegevens



	Evolution S 1250	Evolution S 1750	Evolution 2000	Evolution S 2500	Evolution S 3000
Uitgangsvermogen	1250VA/1150W	1750VA/1600W	2000VA/1600W	2500VA/2250W	3000VA/2700W
Elektrisch voedingsnet <ul style="list-style-type: none"> ▶ Nominale ingangsspanning ▶ Bereik ingangsspanning ▶ Frequentie 	Enkelfasig 220~240 V 160 V tot 294 V ⁽¹⁾ 47 Hz tot 70 Hz (50 Hz net), 56,5 Hz tot 70 Hz (60 Hz net) ⁽²⁾				
Gebuiersoutput bij accubedrijf. <ul style="list-style-type: none"> ▶ Spanning ▶ Frequentie 	230 V (+6/-10%) ⁽³⁾ 50/60 Hz ±0,1%				
Accu (lood, vloeistofdicht, onderhoudsvrij) <ul style="list-style-type: none"> ▶ Standaard 	4 x 12 V 7,2 Ah	4 x 12 V - 9 Ah		6 x 12 V 7,2 Ah	6 x 12 V 9 Ah
<ul style="list-style-type: none"> ▶ Uitbreiding mogelijk (tot 4 EXB) 	Evolution S EXB 1250/1750 ⁽⁴⁾		Nee	Evolution EXB S 2500/3000 ⁽⁵⁾	
Omgeving <ul style="list-style-type: none"> ▶ Bedrijfstemperatuur ▶ Opslagtemperatuur ▶ Luchtvochtigheid 	0°C tot 40°C -25°C tot 40°C 20% tot 90% (zonder condensatie)				
<ul style="list-style-type: none"> ▶ Geluidsniveau 	< 45 dBA			< 50 dBA	

(1) Hoge en lage drempelwaarden instelbaar via de **Personal Solution-Pac** software.

(2) Tot 40Hz in lage gevoeligheid modus (instelbaar via de **Personal Solution-Pac** software).

(3) Instelbaar (keuze uit 200V (vermindering van 10% van het uitgangsvermogen) / 208V / 220V / 230V / 240V

(4) Accu **Evolution S EXB 1250/1750**: 2 ketens van 4 x 12V / 9 Ah.

(5) Accu **Evolution S EXB 2500/3000**: 2 ketens van 6 x 12V / 9 Ah.

6.2 Definities

AC By-pass	Aftakking van het elektriciteitsnet die door de UPS wordt bediend en waarmee apparatuur rechtstreeks vanuit het elektriciteitsnet kan worden gevoed bij overbelasting of storing van de wisselrichter.
Accutest	Interne test van de UPS om de toestand van de accu te controleren.
AC Normal	Dit is het elektriciteitsnet waarmee de UPS onder normale omstandigheden wordt gevoed.
Apparatuur	Toestellen of voorzieningen die op de uitgang van de UPS zijn aangesloten.
Belasting	Verhouding tussen het door de op de UPS aangesloten apparatuur opgenomen vermogen en het maximale vermogen dat de UPS kan leveren.
"Booster" functie	Automatische werkingsfunctie van de UPS die ervoor zorgt dat de spanning van het elektriciteitsnet, als die te laag is, weer boven een vooraf ingestelde waarde stijgt zonder de accu te ontladen.
Drempelwaarde voor de voorwaarschuwing "Accu bijna leeg"	Dit is een drempelwaarde voor het niveau van de accuspanning waarmee kan worden gemeten of de gebruiksduur van de accu binnenkort zal verstrijken; er kunnen dan de nodige maatregelen worden genomen met het oog op het wegvallen van de spanning op de apparatuur.
"Fader" functie	Automatische werkingsfunctie van de UPS die ervoor zorgt dat de spanning van het elektriciteitsnet, als die te hoog is, weer onder een vooraf ingestelde waarde daalt zonder de accu te ontladen.
FlexPDU	Module met contactdozen van de UPS ten behoeve van installatie in een kast. Er bestaan verschillende modules met verschillende contactdozen.
Gebruiksduur:	De tijd gedurende welke de apparatuur wordt gevoed door de UPS wanneer deze op accubedrijf draait.
HotSwap MBP	Module voor handmatig omschakelen van de UPS met het oog op onderhoud. Er bestaan verschillende modules met verschillende contactdozen.
Instellingen	Programmering van een aantal parameters die afwijkt van de standaardconfiguratie die in de fabriek is ingesteld. Een aantal functies van de UPS kan worden gewijzigd met de Personal Solution-Pac software, om ze beter af te stemmen op uw wensen.
Opstarten op accu	Hiermee kan de spanning op de aangesloten apparatuur worden ingeschakeld wanneer het elektriciteitsnet uitvalt. De UPS werkt dan alleen op de accu.
Programmeerbare contactdozen	Contactdozen die geprogrammeerd kunnen worden voor automatisch ontlasten, remote uitschakelen en sequentieel opstarten (instelbaar via de Personal Solution-Pac software).
Softwarematig in- en uitschakelen van de wisselrichter	De beveiligingssoftware van computersystemen kan zo worden ingesteld dat het starten van in- en uitschakelprocedures van de UPS al dan niet wordt geblokkeerd.
UPS	Uninterruptible Power Supply (ononderbroken stroomvoorziening).
Volledige ontlading	Ontlading van de accu tot voorbij het toegestane niveau, met mogelijk onherstelbare schade aan de accu tot gevolg.

Evolution

S 1250 RT 2U
S 1750 RT 2U
2000 RT 2U
S 2500 RT 2U
S 3000 RT 2U
S 3000 RT 3U
S EXB 1250/1750 RT 2U
S EXB 2500/3000 RT 2U
S EXB 2500/3000 RT 3U

**Руководство
по установке
и эксплуатации**



Pulsar Series

Мы благодарим вас за то, что вы выбрали одно из изделий компании EATON для защиты вашего оборудования.

Серия **Evolution** была разработана с учетом самых строгих требований. Чтобы наилучшим способом использовать все возможности вашего аппарата бесперебойного питания (АБП), рекомендуем вам тщательно ознакомиться с настоящим руководством.

Перед установкой аппарата **Evolution** внимательно прочесть его описание, которое содержит обязательные инструкции по технике безопасности. Затем следовать инструкциям настоящего руководства.

Вы можете ознакомиться с предложениями компании EATON, а также с факультативными вариантами серии **Evolution** на нашем Web сайте: www.eaton.com. Вы можете также связаться с местным представителем компании EATON.

Охрана окружающей среды

Компания EATON ведет политику охраны окружающей среды. Наши изделия разработаны с учетом принципов экологической чистоты.

Вредные вещества

Настоящий аппарат не содержит ни хлорфторуглеродов (CFC), ни фторсодержащих углеводородов (HCFC), ни асбеста.

Упаковка

Отделить элементы упаковки друг от друга для облегчения обработки отходов и их утилизации.

- ▶ Картонная коробка состоит более чем на 50% из утилизованного картона.
- ▶ Мешки и пакеты изготовлены из полиэтилена.
- ▶ Материалы упаковки могут утилизироваться и отмечаются следующим идентификационным символом



Материал	Сокращенное название	Номер в символе
Полиэтилентерефталат	ПЭТ (PET)	01
Полиэтилен высокой плотности	ПЭВП (HDPE)	02
Поливинилхлорид	ПВХ (PVC)	03
Полиэтилен низкой плотности	ПЭНП (LDPE)	04
Полипропилен	ПП (PP)	05
Полистирол	ПС (PS)	06

При утилизации материалов упаковки соблюдать действующие местные нормативные требования.

Конец срока службы

Компания EATON обязуется перерабатывать изделия в конце срока их службы в соответствии с местными нормативными требованиями, сотрудничая с предприятиями, занимающимися сбором и уничтожением подобных изделий по окончании срока их службы.

Аппарат

Настоящий аппарат изготовлен из утилизируемых материалов.

Его разборка и уничтожение должны производиться в соответствии с действующими местными нормативными требованиями, касающимися отходов.

По окончании срока службы данный аппарат должен быть отправлен в центр обработки отходов электротехнической и электронной промышленности.

Аккумуляторная батарея

Настоящий аппарат содержит свинцовые гальванические элементы, с которыми следует обращаться согласно действующим местным нормативным требованиям, касающимся аккумуляторных батарей.

Для соблюдения этих нормативных требований и безотходного уничтожения аккумуляторной батареи необходимо вынуть ее из аппарата.

Технические карты данных по безопасности «Material Safety Data Sheet» (MSDS) аккумуляторных батарей можно получить на нашем Web сайте*.

Вступление

Используемые графические символы



Обязательные инструкции.



Информация, рекомендации, помощь.



Визуальная индикация для наблюдения.



Выполняемое действие.



Звуковая сигнализация.

Следующие условные обозначения используются для представления световых индикаторов на иллюстрациях:



Световой индикатор не горит.



Световой индикатор горит.



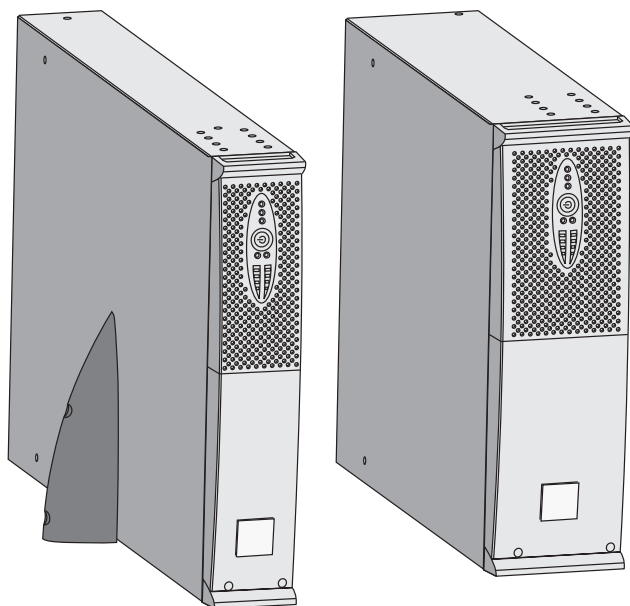
Световой индикатор мигает.

1. Общая информация	6
1.1 Стандартные исполнения	
Вертикальное исполнение	6
Исполнение для установки в стойку	6
1.2 Задние панели	7
Evolution S 2500 / S 3000	7
Evolution S EXB (факультативный блок аккумуляторных батарей)	7
1.3 Панель визуализации и управления	7
2. Установка	8
2.1 Распаковка и проверка комплектации	8
2.2 Установка в вертикальном положении	9
2.3 Установка в стойку	9
2.4 Порты связи	10
Соединение порта связи RS-232 или USB (факультативный)	10
Установка плат связи (по спецзаказу, в стандартном варианте для вариантов Netpack)	10
2.5 Соединения с блоком FlexPDU (по спецзаказу)	11
2.6 Соединения с блоком HotSwap MBP	11
Работа блока HotSwap MBP	12
2.7 Соединение АБП без блока FlexPDU или HotSwap MBP	12
3. Эксплуатация	13
3.1 Пуск в действие и работа в нормальном режиме	13
3.2 Работа от аккумуляторной батареи	13
3.3 Восстановление напряжения сети	14
3.4 Отключение АБП	14
3.5 Использование функций дистанционного управления АБП	14
4. Персонализация с помощью внешнего программного обеспечения	16
5. Техобслуживание	17
5.1 Поиск и устранение неисправностей	17
Поиск и устранения неисправностей АБП, оборудованного модулем HotSwap MBP	17
5.2 Замена блока батарей	18
Напоминание о правилах по технике безопасности:	18
Демонтаж блока батарей	18
Установка нового блока батарей	19
5.3 Техобслуживание АБП, оборудованного блоком HotSwap MBP	19
5.4 Учебно-тренировочный центр	19
6. Приложения	20
6.1 Технические характеристики	20
6.2 Глоссарий	21

1. Презентация

1.1 Стандартные исполнения

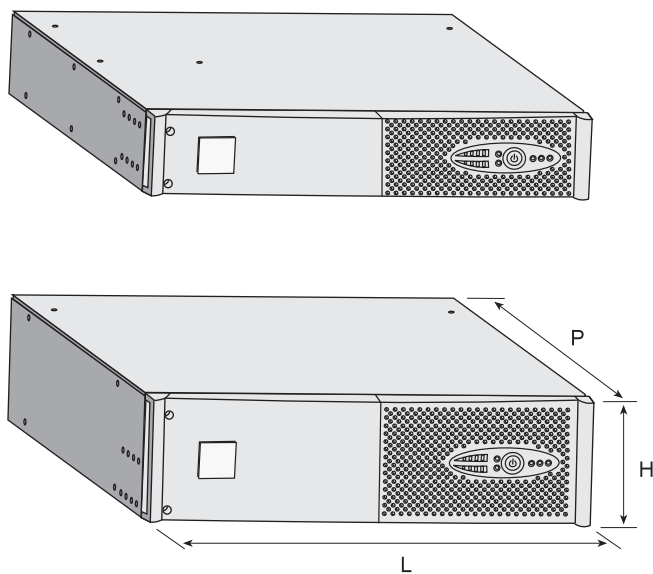
Вертикальное исполнение



Размеры в мм (шир. L x выс. Н x глуб. Р)	
S 1250 RT 2U S 1750 RT 2U 2000 RT 2U	440 x 86 x 509
S 2500 RT 2U S 3000 RT 2U	440 x 86 x 534
S 3000 RT 3U	440 x 131 x 484
S EXB 1250/1750 RT 2U	440 x 86 x 509
S EXB 2500/3000 RT 2U	440 x 86 x 634
S EXB 2500/3000 RT 3U	440 x 131 x 484

Масса в кг	
S 1250 RT 2U	24,3
S 1750 RT 2U	26,6
2000 RT 2U	25,7
S 2500 RT 2U	33,8
S 3000 RT 2U	33,8
S 3000 RT 3U	34,3
S EXB 1250/1750 RT 2U	30,4
S EXB 2500/3000 RT 2U	41,5
S EXB 2500/3000 RT 3U	41,7

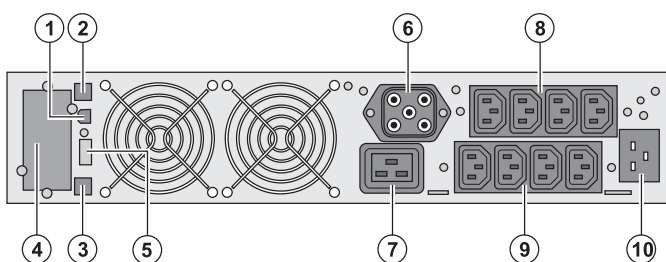
Исполнение для установки в стойку



1. Общая информация

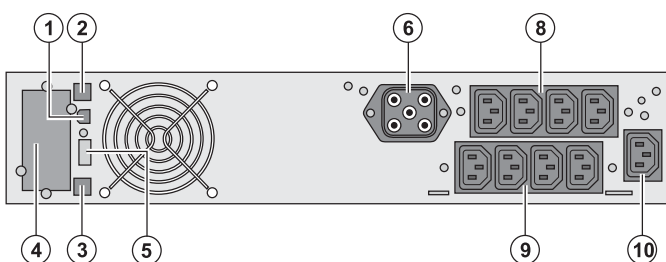
1.2 Задние панели

Evolution S 2500 / S 3000



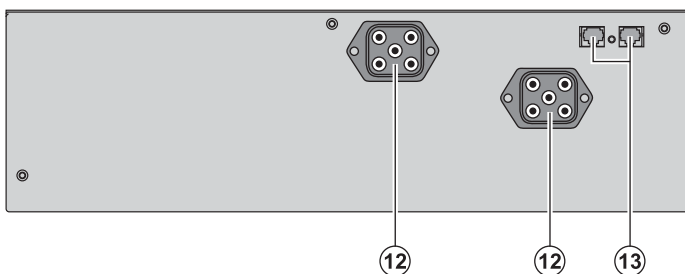
- (1) Порт связи USB
- (2) Порт связи RS-232
- (3) Разъем для автоматического распознавания дополнительного блока батарей
- (4) Паз для факультативной платы связи
- (5) Разъем для подсоединения дистанционного пульта включения/выключения или аварийного останова
- (6) Разъем для подсоединения дополнительного блока батарей (кроме АБП Evolution 2000)
- (7) Разъем 16 А для подсоединения нагрузки
- (8) 2 группы по 2 программируемых разъема для подсоединения нагрузки
- (9) Группа из 4 разъемов для подсоединения нагрузки
- (10) Разъем для соединения с сетью электропитания

Evolution S 1250 / S 1750 / S 2000



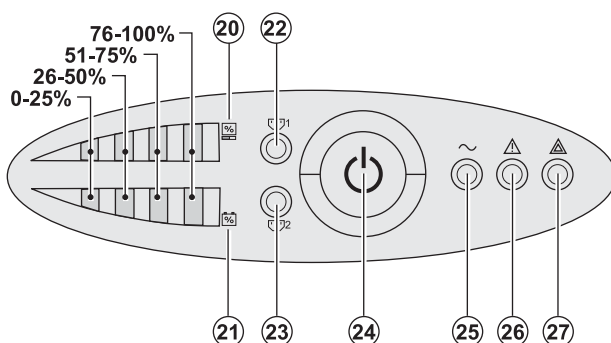
- (1) Порт связи USB
- (2) Порт связи RS-232
- (3) Разъем для автоматического распознавания дополнительного блока батарей
- (4) Паз для факультативной платы связи
- (5) Разъем для подсоединения дистанционного пульта включения/выключения или аварийного останова
- (6) Разъем для подсоединения дополнительного блока батарей (кроме АБП Evolution 2000)
- (7) Разъем 16 А для подсоединения нагрузки
- (8) 2 группы по 2 программируемых разъема для подсоединения нагрузки
- (9) Группа из 4 разъемов для подсоединения нагрузки
- (10) Разъем для соединения с сетью электропитания

Evolution S EXB (факультативный блок аккумуляторных батарей)



- (12) Разъемы для подсоединения блоков батарей (к АБП или к другим блокам батарей)
- (13) Разъемы для автоматического распознавания блоков батарей

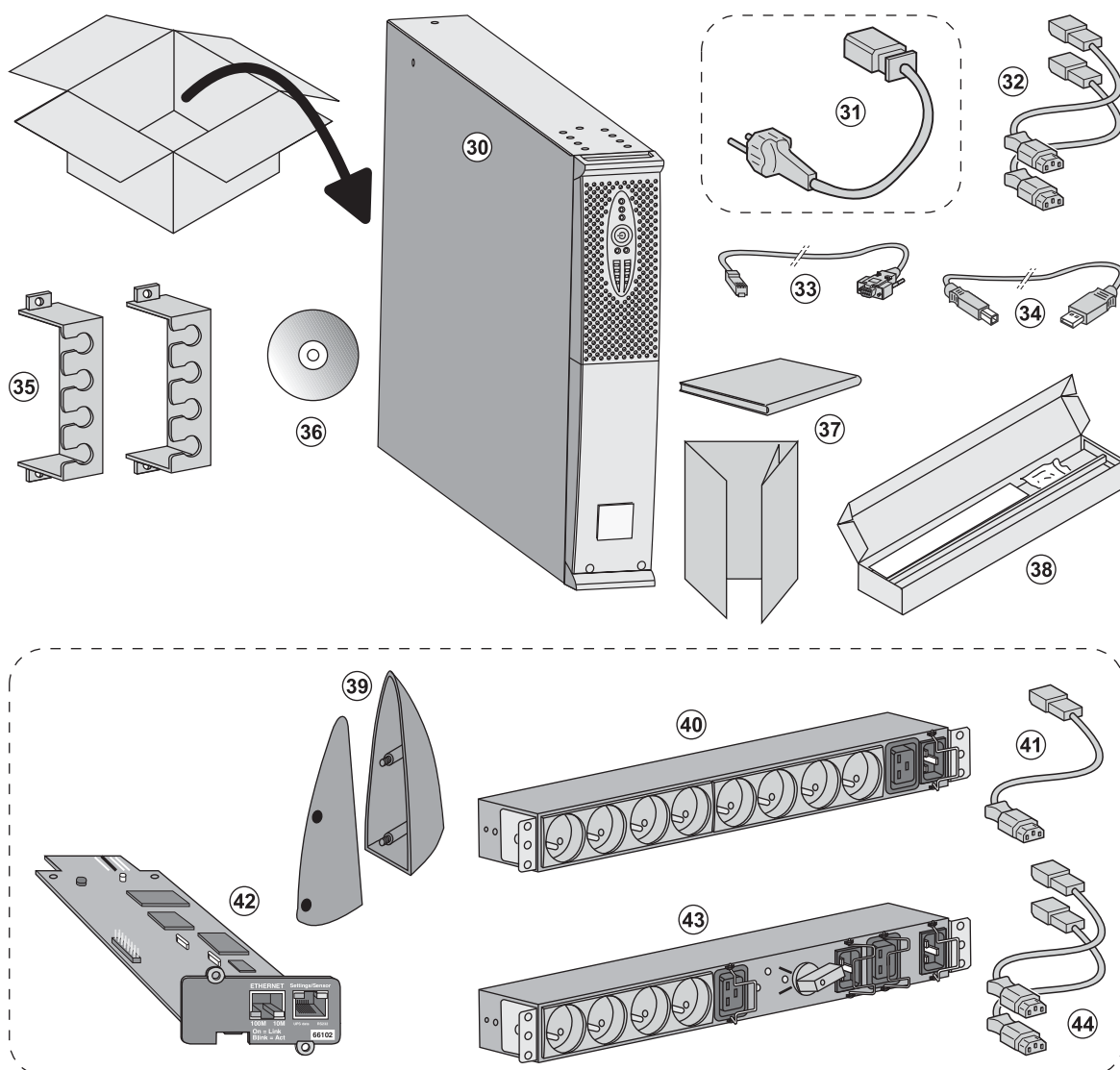
1.3 Панель визуализации и управления



- (20) Столбчатый индикатор уровня потребляемой мощности на выходе
- (21) Столбчатый индикатор уровня зарядки батареи
- (22) Программируемые разъемы 1-й группы запитанные
- (23) Программируемые разъемы 2-й группы запитанные
- (24) Кнопка с подсветкой включения/выключения (ON/OFF) выходных разъемов
- (25) Световой индикатор защищенного оборудования
- (26) Световой индикатор работы в пониженном режиме
- (27) Световой индикатор незащищенного оборудования

2. Установка

2.1 Распаковка и проверка комплектации



(30) АБП Evolution.

(31) Шнур для соединения с сетью электропитания (только модели **Evolution S 2500** и **S 3000**)

(32) 2 шнура для подсоединения оборудования

(33) Кабель связи RS-232

(34) Кабель связи USB

(35) 2 системы фиксации шнуров питания оборудования

(36) Компакт-диск **Solution-Pack**

(37) Документация.

(38) Набор для монтажа в стойку 19"

Элементы, поставляемые в зависимости от варианта или факультативно:

(39) 2 ножки для удержания в вертикальном положении (только вариант 2U модель RT)

(40) Модуль **FlexPDU** (факультативный)

(41) Шнур для соединения блока **FlexPDU** с АБП

(42) Плата связи **NMC** (факультативная, в стандартном варианте на моделях Netpack)

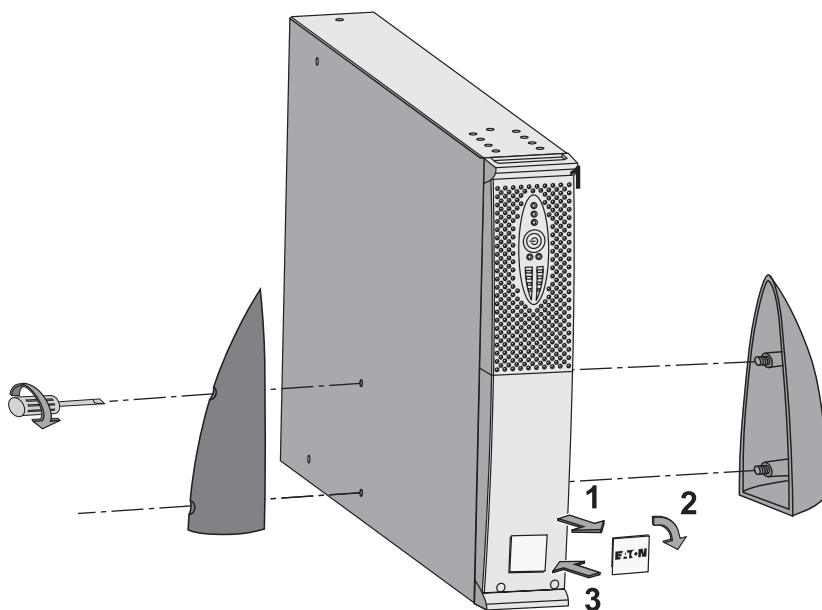
(43) Блок **HotSwap MBP** (факультативный)

(44) Шнуры для соединения блока **HotSwap MBP** с АБП



Элементы упаковки должны утилизироваться в соответствии с действующими нормативными правилами, касающимися отходов. На каждом элементе имеется графический символ утилизации для облегчения сортировки.

2.2 Установка в вертикальном положении



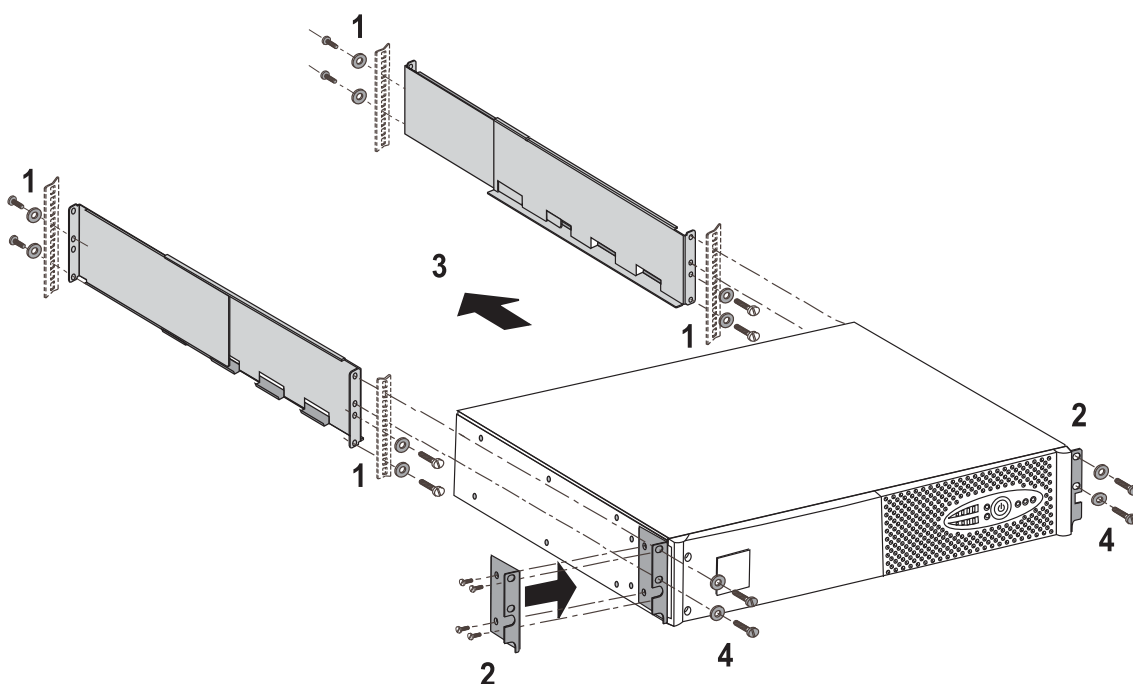
Примечание. Ножки для удержания в вертикальном положении используются только на моделях RT 2U.

2.3 Установка в стойку

Рекомендуется прежде всего установить блок аккумуляторной батареи, а затем установить над ним АБП.



Для установки блока на рельсы выполнить пункты с 1 по 4.



Рельсы и необходимые крепежные изделия поставляются компанией EATON.

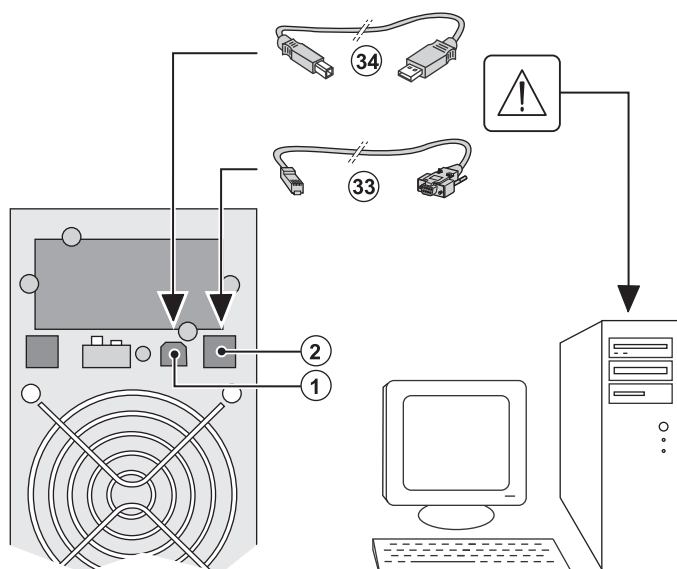
2. Установка

2.4 Порты связи

Соединение порта связи RS-232 или USB (факультативный)



Порты связи RS-232 и USB не могут работать одновременно.

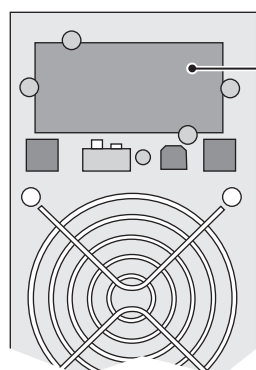


1 - Подсоединить кабель связи RS-232 (33) или USB (34) к последовательному порту или порту USB компьютера.

2 - Соединить другой конец кабеля связи (33) или (34) с портом связи USB (1) или RS-232 (2) АБП.

После установки программного обеспечения компании EATON для административного управления, персонализации или обеспечения безопасности АБП может взаимодействовать с компьютером.

Установка плат связи (по спецзаказу, в стандартном варианте для вариантов Netpack)

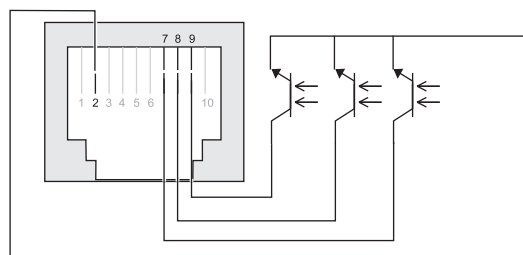


4 Паз с ограниченным доступом для платы связи

Для установки платы связи не обязательно выключать АБП:

- 1 - Снять с АБП крышку (4), которая крепится винтами.
- 2 - Вставить плату связи в предусмотренный для нее паз.
- 3 - Закрепить плату винтами.

Распределение выводов порта связи (факультативного)



- ▶ Выводы 1, 2, 3, 5, 6: не используются
- ▶ Вывод 4: общий провод пользователя
- ▶ Вывод 7: низкий уровень заряда батареи
- ▶ Вывод 8: работа от батареи
- ▶ Вывод 9: АБП работает, оборудование получает питание

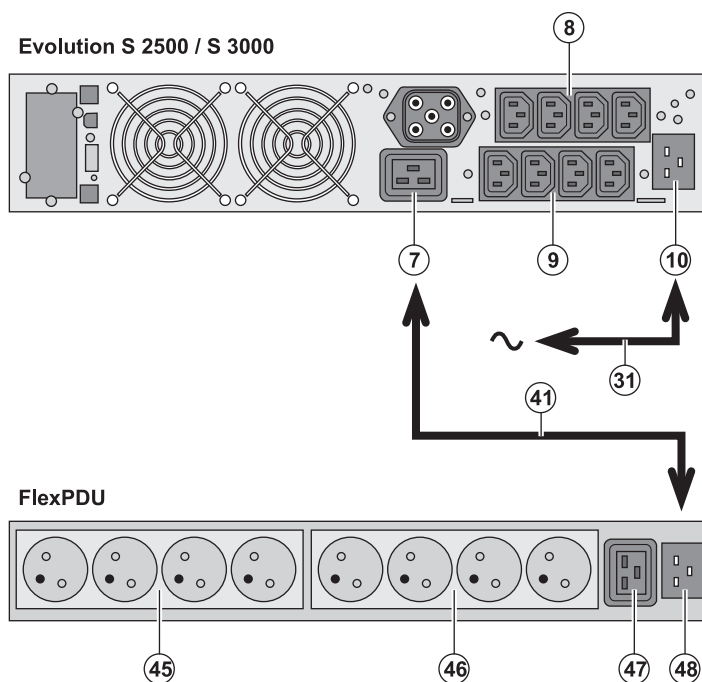
п.о.: замыкающий контакт

Когда сигнал находится в активном состоянии, контакт между общим выводом 4 и выводом соответствующего сигнала замкнут.

Характеристики контактов (оптроны)

- ▶ Напряжение: 48 В пост. тока макс.
- ▶ Ток: 25 мА макс.
- ▶ Мощность: 1,2 Вт

2.5 Соединения с блоком FlexPDU (Power Distribution Unit, т. е. Блок распределения питания) (по спецзаказу)



1 - **Evolution S 2500 / S 3000**: соединить входной разъем АБП (10) с сетью электропитания с помощью поставляемого шнура питания (31).

Evolution S 1250 / S 1750 / 2000: использовать шнур питания оборудования, которое должно быть защищено.

2 - **Evolution S 2500 / S 3000**: соединить входной разъем питания блока **FlexPDU** (48) с выходным разъемом (7) АБП с помощью поставляемого шнура (41).

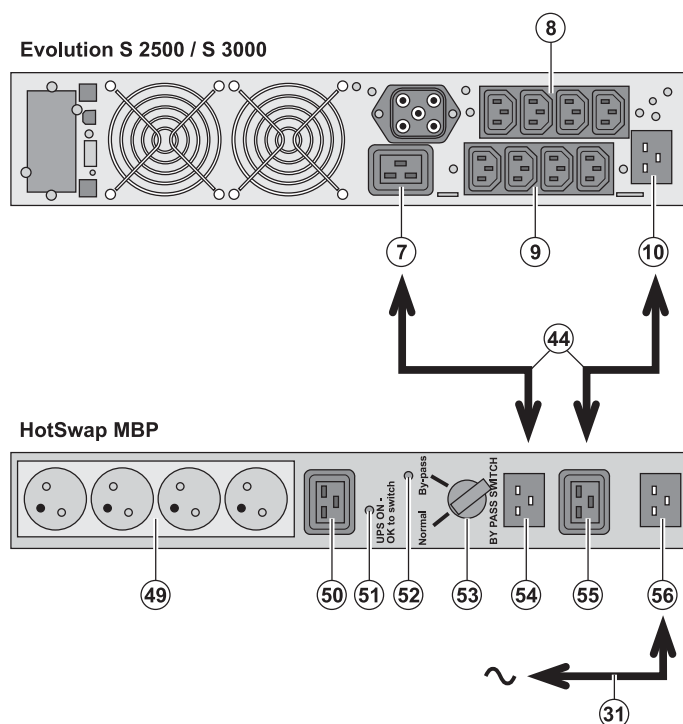
Evolution S 1250 / S 1750 / 2000: соединить входной разъем питания блока **FlexPDU** (48) с одним из выходных разъемом (9). Этот кабель и эти разъемы имеют красную маркировку.

3 - Соединить оборудование с разъемами (45), (46) и (47) блока **FlexPDU**. Эти разъемы могут быть различного типа, в зависимости от варианта блока **FlexPDU**.

4 - Зафиксировать кабели в нужном положении с помощью металлических фланцев разъемов.

2.6 Соединения с блоком HotSwap MBP (по спецзаказу)

Блок **HotSwap MBP** обеспечивает техобслуживание и, при необходимости, замену АБП таким образом, чтобы это не повлияло на электропитание соединенного с ним оборудования (функция **HotSwap**).



1 - Соединить входной разъем (56) блока **HotSwap MBP** с сетью электропитания с помощью поставляемого шнура (31).

2 - Соединить входной разъем питания АБП (10) с разъемом «UPS Input» (Вход АБП) (55) блока **HotSwap MBP** с помощью поставляемого шнура (44). Эти кабели и эти разъемы имеют синюю маркировку.

3 - **Evolution S 2500 / S 3000**: соединить выходной разъем АБП (7) с разъемом «UPS Output» (Выход АБП) (54) блока **HotSwap MBP** с помощью поставляемого шнура (44).

Evolution S 1250 / S 1750 / 2000: соединить один из выходных разъемов АБП (9) с разъемом «UPS Output» (Выход АБП) (54) блока **HotSwap MBP**. Эти кабели и эти разъемы имеют красную маркировку.

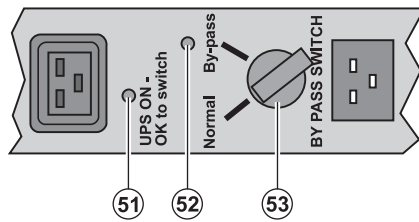
4 - Соединить оборудование с выходными разъемами (49) и (50) блока **HotSwap MBP**. В зависимости от варианта блока **HotSwap MBP** эти разъемы могут быть различного типа.

Внимание! Не использовать выходные разъемы АБП (8) и (9) для питания оборудования, т. к. в этом случае поворот переключателя (53) блока **HotSwap MBP** вызовет отключение питания этого оборудования.



2. Установка

Работа блока HotSwap MBP



Блок **HotSwap MBP** имеет поворотный переключатель (53) на 2 положения:
Normal (Нормальное): оборудование получает питание от АБП.
By-pass (Байпас): оборудование получает питание напрямую от сети.

Пуск в действие АБП с блоком HotSwap MBP

- 1 - Убедиться, что АБП правильно соединен с блоком **HotSwap MBP**.
 - 2 - Установить переключатель (53) в положение «Normal» (Нормальное).
 - 3 - Включить АБП, нажав на кнопку включения/выключения (24) на передней панели АБП. Оборудование будет получать питание от АБП.
- На блоке **HotSwap MBP** загорается световой индикатор (51) «UPS ON – OK to switch» (АБП Вкл. – готов к переключению).

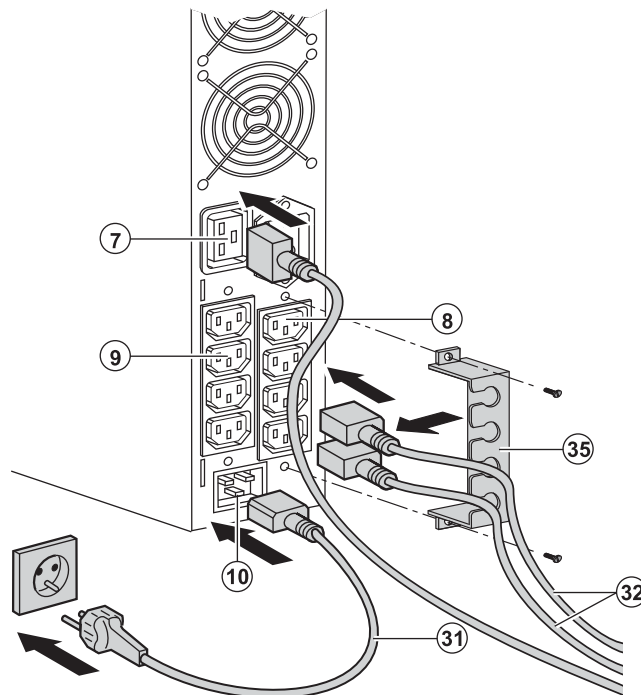
Тест блока HotSwap MBP

- 1 - Установить переключатель (53) в положение «By-pass» и убедиться, что оборудование остается запитанным.
- 2 - вновь установить переключатель (53) в положение «Normal».

2.7 Соединение АБП без блока FlexPDU или HotSwap MBP



Убедиться, что данные на паспортной табличке с задней стороны АБП соответствуют характеристикам сети электропитания, а также мощности, фактически потребляемой каждой нагрузкой.



1 - **Evolution S 1250 / S 1750 / 2000**: соединить входной разъем АБП (10) с сетью с помощью шнура питания оборудования, которое должно быть защищено.

Evolution S 2500 / S 3000: соединить поставляемый шнур питания (31) (250 В – 16 А) с разъемом (10), а затем со штепсельной розеткой сети.

2 - Подсоединить оборудование к АБП с помощью шнуров (32). Рекомендуется подсоединять приоритетное оборудование к 4 разъемам (9), а неприоритетное – к 4 разъемам (8), отключение которых может программироваться парами (группы 1 и 2).

В случае моделей **Evolution S 2500 / S 3000** соединять более мощное оборудование с разъемом (7), обеспечивающим ток 16 А.

Чтобы иметь возможность запрограммировать отключение разъемов (8) в течение автономной работы батареи и тем самым увеличить продолжительность ее автономной работы, необходимо иметь доступ к программному обеспечению связи EATON.

3 - Закрепить соединения с помощью системы фиксации кабелей (35).

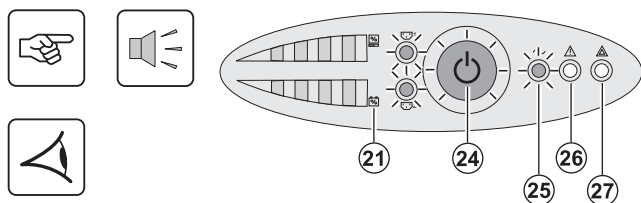


Примечание. Аппарат перезаряжает свою батарею, как только подключается к сети электропитания, даже без нажатия на кнопку (24).

После первого включения необходимо как минимум 8 часов, чтобы батарея полностью зарядилась.



3.1 Пуск в действие и работа в нормальном режиме



Нажать на кнопку (24) и удерживать ее приблизительно 1 секунду.

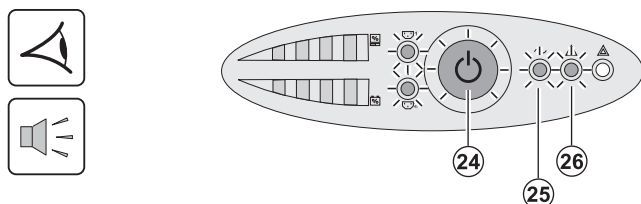
- ▶ Зуммер издает короткий звуковой сигнал, и все световые индикаторы одновременно загораются.
- ▶ Если имеется напряжение сети электропитания: подсветка кнопки (24) и световой индикатор (25) горят, значит, оборудование получает питание от сети. Если условия позволяют, АБП выполняет тест батареи, что сигнализируется световыми индикаторами (21) и зуммером.
- ▶ Если напряжение сети электропитания отсутствует: подсветка кнопки (24), световые индикаторы (25) и (26) горят, что означает, что оборудование получает питание от АБП, который работает от батареи.

Подсоединенное оборудование защищено АБП.

Если горит световой индикатор (27), это означает наличие неисправности (см. главу «Неисправности»).

3.2 Работа от аккумуляторной батареи

Переход на батарею

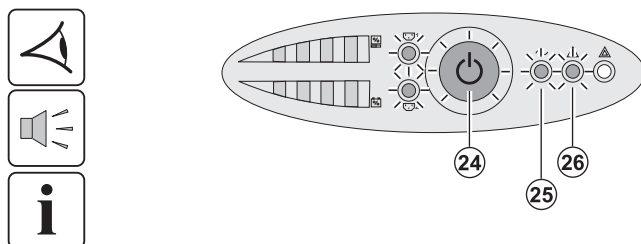


▶ Когда исчезает напряжение сети, подсоединенное оборудование продолжает получать питание от АБП. Энергия берется от аккумуляторной батареи.

- ▶ Подсветка кнопки (24) и световые индикаторы (25) и (26) горят.
- ▶ Каждые 10 секунд дается короткий аварийный звуковой сигнал.

Подсоединенное к АБП оборудование получает питание от аккумуляторной батареи.

Устанавливаемый порог сигнала конца автономной работы батареи



- ▶ Подсветка кнопки (24) и световые индикаторы (25) и (26) горят.
- ▶ Каждые 3 секунды дается короткий аварийный звуковой сигнал.

Остается незначительное время автономной работы батареи. Закрывать все прикладные программы соединенного с АБП оборудования, т. к. автоматическое отключение АБП неизбежно.

3. Эксплуатация

Конец автономной работы батареи



- ▶ Все световые индикаторы гаснут.
- ▶ Звуковой аварийный сигнал отсутствует.

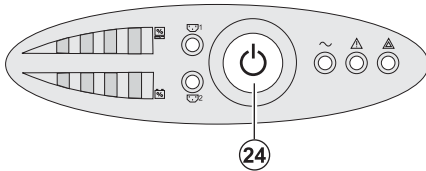


АБП полностью отключен.

3.3 Восстановление напряжения сети

После исчезновения напряжения сети АБП автоматически перезапускается при его восстановлении (если только эта функция не была деактивирована при персонализации АБП), и оборудование вновь получает питание.

3.4 Отключение АБП



Нажать на кнопку **(24)** и удерживать ее более 2 секунд.

Соединенное с АБП оборудование больше не получает питания.

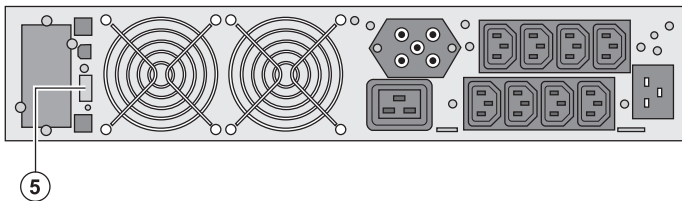
3.5 Использование функций дистанционного управления АБП

АБП **Evolution** имеет две функции дистанционного управления на выбор.

▶ **RPO (Remote Power Off, т. е. Дистанционное выключение питания)**: это функция дистанционного выключения АБП, которая позволяет выключать все оборудование, соединенное с АБП, с помощью внешних контактов. Перезапуск АБП требует ручного вмешательства.

▶ **ROO (Remote ON/OFF, т. е. Дистанционное ВКЛ./ВЫКЛ.)**: это функция дистанционного включения/выключения АБП с помощью внешней кнопки **(24)**.

Эти функции обеспечиваются размыканием контакта, который включается между соответствующими выводами разъема **(5)** на задней панели АБП (см. иллюстрации ниже).

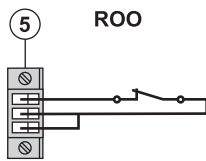


Подсоединение и тест пультов дистанционного управления



- 1 - Убедиться, что АБП выключен и сеть электропитания отсоединена.
- 2 - Снять разъем **(5)**, отвинтив винты.
- 3 - Подсоединить герконовый контакт размыкающего типа с развязкой (60 В пост. тока/30 В пер. тока макс., 20 мА макс., сечение кабеля 0,75 мм²) между двумя выводами разъема **(5)** – см. иллюстрацию.

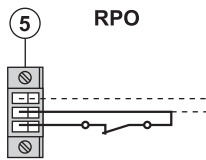
3. Эксплуатация



Контакт разомкнут: выключение АБП

Контакт замкнут: включение АБП (АБП соединен с сетью, и напряжение сети имеется)

Примечание. Команда местного включения/выключения с помощью кнопки **(24)** остается приоритетной по отношению к дистанционной команде.



Контакт разомкнут: выключение АБП, световой индикатор **(26)** загорается.

Чтобы вернуться к нормальной работе, деактивировать внешний контакт дистанционного выключения и перезапустить АБП кнопкой **(24)**.

4 - Воткнуть разъем **(5)** в его гнездо на задней панели АБП.

5 - Подсоединить и перезапустить АБП согласно вышеописанным процедурам.

6 - Для проверки этой функции активировать внешний контакт дистанционного выключения.



Внимание! Этот разъем должен быть соединен исключительно с цепями уровня TBTS (Très Basse Tension de Sécurité, т. е. Очень низкое безопасное напряжение).

4. Персонализация с помощью внешнего программного обеспечения



- ▶ Вставить в считывающее устройство компакт-диск **Solution-Pac**.
- ▶ На первом экране навигатора выбрать «Solution Point à Point» (Двухточечное решение) и установить программное обеспечение **Personal Solution-Pac** в соответствии с инструкциями на экране.
- ▶ Затем выбрать «Configuration» (Конфигурация), «Configuration avancée» (Улучшенная конфигурация) и «Paramètres onduleur» (Параметры АБП).

Следует отметить, что версии Linux/Unix/MacOS программного обеспечения **Personal Solution-Pac** не предусматривают этой возможности. Можно изменить следующие параметры настройки (подробные комментарии имеются в программном обеспечении **Personal Solution-Pac**):

Персонализация главного выхода

Функция	Заводская установка	Другой выбор
Выходное напряжение при работе от батареи	230 В пер. тока	200/208/220/240 В пер. тока
Порог предупредительного сигнала перегрузки	105%	30/50/70%

Персонализация пороговых значений напряжения

Функция	Заводская установка	Другой выбор
Верхний предел перехода на батарею	294 В пер. тока	от 271 до 294 В пер. тока
Нижний предел перехода на батарею	160 В пер. тока	от 160 до 180 В пер. тока
Порог включения режима «fadeг» (понижающий)	265 В пер. тока	от 244 до 265 В пер. тока
Порог включения режима «booster» (вольтодобавочный)	184 В пер. тока	от 184 до 207 В пер. тока
Максимальный диапазон входного напряжения	Деактивирован	Активирован ⁽¹⁾

(1) Предельное значение низкого напряжения для перехода на батарею: 150 В

Персонализация чувствительности АБП

Функция	Заводская установка	Другой выбор
Уровень чувствительности АБП	Нормальный	Высокий или низкий

Персонализация условий включения/выключения АБП

Функция	Заводская установка	Другой выбор
Автоматический пуск	Активирован	Деактивирован
Пуск от батареи	Активирован	Деактивирован
Форсированное выключение	Активировано	Деактивировано
Режим энергосбережения	Деактивирован	Активирован
Программное включение/выключение АБП	Активировано	Деактивировано
Уровень зарядки батареи перед перезапуском	0%	от 0 до 100%

Персонализация батареи

Функция	Заводская установка	Другой выбор
Периодичность теста батареи	Еженедельный	Без теста / Ежедневный / Ежемесячный
Предупредительный сигнал конца автономной работы	20%	от 0 до 100%
Защита от глубокого разряда	Активирована	Деактивирована
Звуковой аварийно-предупредительный сигнал	Активирован	Деактивирован
Расширение батареи (только модели Evolution S)	Автоматическое обнаружение числа блоков батарей	Для специальных батарей, от 25 до 81 А.ч.

5.1 Поиск и устранение неисправностей

	Признак неисправности	Возможная причина	Средство устранения
1	При пуске АБП с помощью кнопки (24) все световые индикаторы загораются один раз, и зуммер издает короткий сигнал, после чего световой индикатор (26) остается зажженным.	Срабатывание контакта дистанционного выключения (RPO) вызвало отключение АБП и препятствует его перезапуску.	Переключить контакт в нормальное положение и нажать на кнопку (24) для перезапуска.
2	Подсветка кнопки (24) и световые индикаторы (25) и (26) горят, а все световые индикаторы столбиковой диаграммы (20) мигают.	Коэффициент нагрузки превышает уровень перегрузки, установленный для АБП, или его мощность.	Проверить мощность, потребляемую подсоединенным оборудованием, и отсоединить неприоритетное оборудование. Проверить уставку уровня перегрузки.
3	Подсветка кнопки (24) и световой индикатор (27) горят, а все световые индикаторы столбиковой диаграммы (20) мигают.	Достигнут критический уровень перегрузки на выходе АБП. В случае исчезновения напряжения сети оборудование не получит питания от батареи.	Проверить мощность, потребляемую подсоединенным оборудованием, и отсоединить неприоритетное оборудование.
4	Световой индикатор (27) горит, а все световые индикаторы столбиковой диаграммы (21) мигают.	При автоматическом тесте была обнаружена неисправность батареи.	Заменить элементы батареи (см. § 5.2 «Замена блока батареи»).
5	Световой индикатор (27) горит, и зуммер издает постоянный сигнал.	АБП имеет внутреннюю ошибку, и все оборудование перестает получать питание.	Связаться с отделом послепродажного обслуживания.

Поиск и устранения неисправностей АБП, оборудованного модулем HotSwap MBP



	Признак неисправности	Возможная причина	Средство устранения
6	Подсоединенное оборудование не получает питания, когда поворотный переключатель (49) блока HotSwap MBP находится в положении «Bypass».	<ul style="list-style-type: none"> ▶ Оборудование подсоединено к выходу АБП вместо блока HotSwap MBP. ▶ Шнур сети электропитания соединен со входом АБП вместо блока HotSwap MBP. 	Проверить кабельные соединения между АБП и блоком HotSwap MBP (см. § 2.6).
7	Подсоединенное оборудование не получает питания, когда поворотный переключатель (49) блока HotSwap MBP находится в положении «Normal».	<ul style="list-style-type: none"> ▶ АБП выключен. ▶ Неверное соединение АБП и блока HotSwap MBP. 	<ul style="list-style-type: none"> ▶ Запустить АБП. ▶ Проверить кабельные соединения между АБП и блоком HotSwap MBP (см. § 2.6).
8	Подсоединенное оборудование не получает питания в случае исчезновения напряжения сети.	<ul style="list-style-type: none"> ▶ Поворотный переключатель (49) блока HotSwap MBP находится в положении «Bypass». ▶ АБП и блок HotSwap MBP соединены друг с другом неверно. 	<ul style="list-style-type: none"> ▶ Установить поворотный переключатель (49) блока HotSwap MBP в положение «Normal». ▶ Проверить кабельные соединения между АБП и блоком HotSwap MBP (см. § 2.6).

В случае неисправности, вызвавшей выключение АБП, нажать на кнопку включения/выключения (24), чтобы квитировать неисправность.

5. Техобслуживание

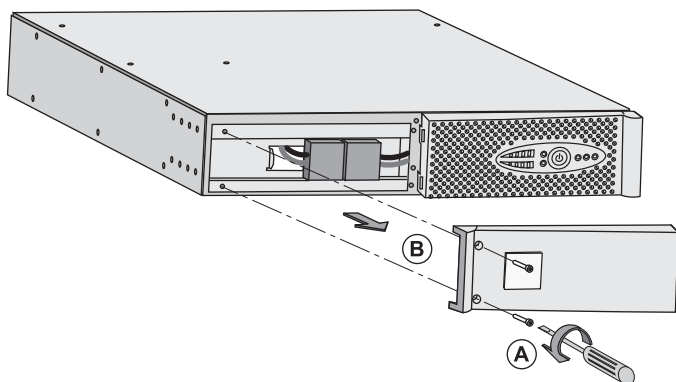
5.2 Замена блока батарей

Напоминание о правилах по технике безопасности:

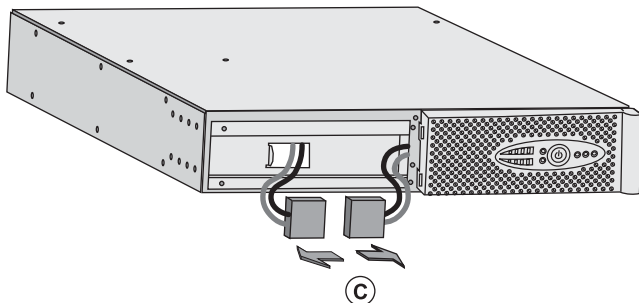
Аккумуляторная батарея представляет риск поражения электрическим током и имеет высокий ток короткого замыкания. При любой работе на элементах аккумуляторной батареи должны приниматься следующие меры предосторожности:

- ▶ Снять с рук часы, перстни, обручальные кольца, браслеты и любые другие металлические предметы.
- ▶ Использовать инструмент с изолированной рукояткой.

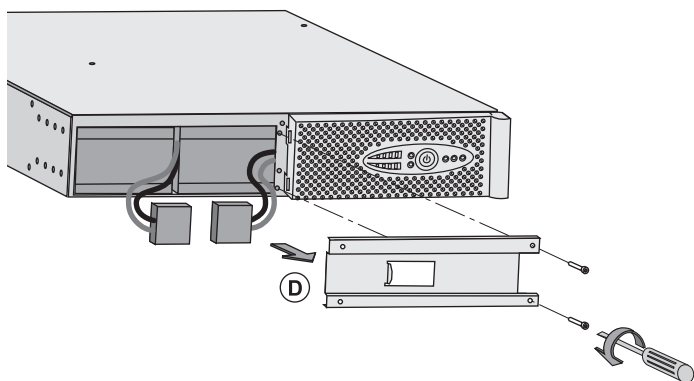
Демонтаж блока батарей



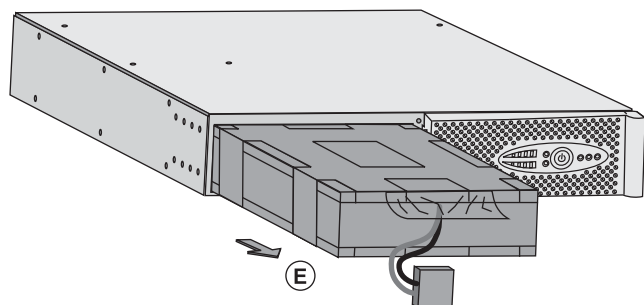
A - Отсоединить левую половину передней панели, отвинтив 2 винта.
B - Снять эту половину панели.



C - Отсоединить блок батарей, разъединив 2 разъема (запрещается тянуть за кабели).



D - Снять защитную металлическую крышку батареи, отвинтив 2 винта.



E - Вынуть блок батарей, потянув за пластмассовый язычок, и заменить блок.

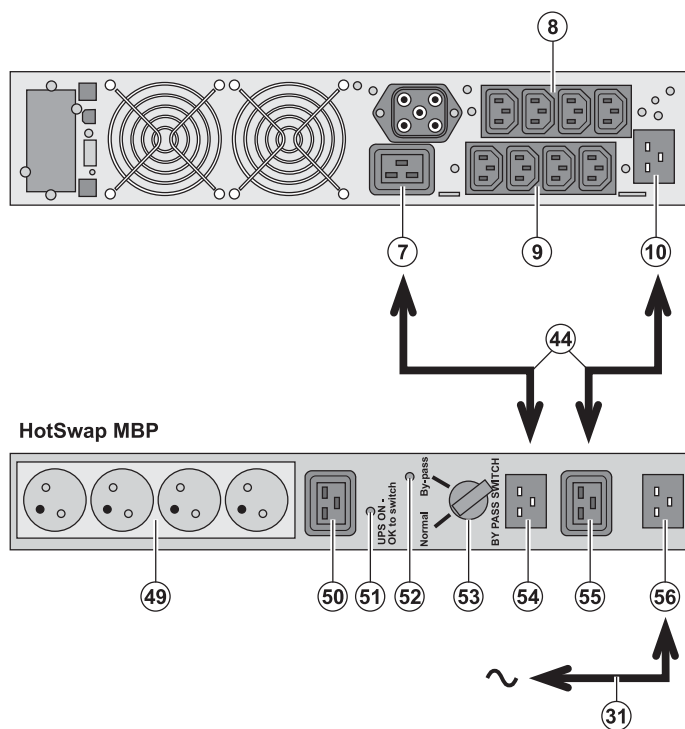
Установка нового блока батарей

Выполнить вышеописанные операции в обратном порядке.



- ▶ Для обеспечения безопасности и того же уровня рабочих характеристик использовать только гальванические элементы поставки компании EATON.
- ▶ При соединении надежно вставить друг в друга штыревую и гнездную части разъема.

5.3 Техобслуживание АБП, оборудованного блоком HotSwap MBP



Блок **HotSwap MBP** обеспечивает техобслуживание и, при необходимости, замену АБП таким образом, чтобы это не повлияло на электропитание соединенного с ним оборудования (функция **HotSwap**).

Техобслуживание:

- 1 - Установить переключатель (**53**) в положение «By-pass»: красный световой индикатор блока **HotSwap MBP** загорается, указывая, что оборудование получает питание прямо от электрической сети.
- 2 - Выключить АБП, нажав на кнопку включения/выключения (**24**) на передней панели АБП: световой индикатор (**51**) «UPS ON – OK to switch» гаснет, после чего АБП может быть отсоединен и заменен.

Возврат к нормальной работе

- 1 - Убедиться, что АБП правильно соединен с блоком **HotSwap MBP**.
- 2 - Включить АБП, нажав на кнопку включения/выключения (**24**) на передней панели АБП: световой индикатор (**51**) «UPS ON – OK to switch» блока **HotSwap MBP** загорается (если нет, блок **HotSwap MBP** соединен с АБП неправильно).
- 3 - Установить переключатель (**53**) в положение «Normal»: красный световой индикатор блока **HotSwap MBP** гаснет.

5.4 Учебно-тренировочный центр

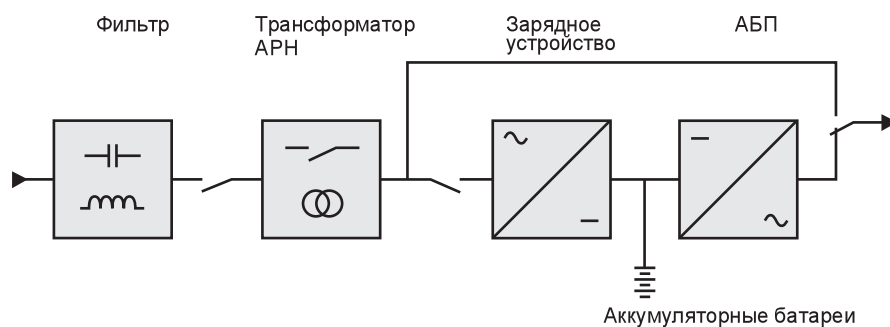


Для более подробного ознакомления с работой АБП компании EATON и с техобслуживанием первого уровня мы предлагаем комплексную программу профессионально-технического обучения на английском и французском языках.

For further information, please visit our website: www.eaton.com

6. Приложения

6.1 Технические характеристики



	Evolution S 1250	Evolution S 1750	Evolution S 2000	Evolution S 2500	Evolution S 3000
Выходная мощность	1250 В.А/1150 Вт	1750 В.А/1600 Вт	2000 В.А/1600 Вт	2500 В.А/2250 Вт	3000 В.А/2700 Вт
Сеть электропитания <ul style="list-style-type: none"> ▶ Номинальное входное напряжение ▶ Диапазон входного напряжения ▶ Диапазон частоты на входе 	однофазное 230 В от 160 В до 294 В ⁽¹⁾ от 47 Гц до 70 Гц (сеть 50 Гц), от 56,5 Гц до 70 Гц (сеть 60 Гц) ⁽²⁾				
Выход для потребителя при работе от батареи <ul style="list-style-type: none"> ▶ Напряжение ▶ Частота 	230 В (+ 6/- 10%) ⁽³⁾ 50/60 Гц ± 0,1%				
Аккумуляторная батарея (свинцово-кислотная, герметичная, без техобслуживания) <ul style="list-style-type: none"> ▶ Стандартный вариант ▶ Возможность расширения (до 4 блоков EXB) 	4 x 12 В 7,2 А.ч	4 x 12 В - 9 А.ч		6 x 12 В 7,2 А.ч	6 x 12 В 9 А.ч
	Evolution S EXB 1250/1750 ⁽⁴⁾		Нет	Evolution EXB S 2500/3000 ⁽⁵⁾	
Условия окружающей среды <ul style="list-style-type: none"> ▶ Температура при работе ▶ Температура при хранении ▶ Относительная влажность ▶ Уровень шума 	от 0°C до 40°C от - 25°C до 40°C от 20% до 90% (без конденсации)				
	< 45 дБА			< 50 дБА	

(1) Верхний и нижний пороговые значения могут регулироваться программным обеспечением **Personal Solution-Pac**.

(2) До 40 Гц в режиме низкой чувствительности (может программироваться программным обеспечением **Personal Solution-Pac**).

(3) Может выбираться из следующих значений: 200 В (пониженный режим с выходной мощностью на 10% ниже) / 208 В / 220 В / 230 В / 240 В

(4) Батарея **Evolution S EXB 1250/1750**: 2 цепочки по 4 x 12 В / 9 А.ч.

(5) Батарея **Evolution S EXB 2500/3000**: 2 цепочки по 6 x 12 В / 9 А.ч.

6. Приложения

6.2 Глоссарий

АБП	Аппарат бесперебойного питания.
Байпас пер. тока	Обходная линия сети электропитания, управляемая от АБП и обеспечивающая прямое питание оборудования от сети в случае перегрузки или нарушения работы аппарата бесперебойного питания.
Глубокий разряд	Разряд аккумуляторной батареи ниже допустимого предела, вызывающий необратимые повреждения батареи.
Запуск от батареи	Позволяет осуществлять включение оборудования, соединенного с АБП, при отсутствии напряжения сети электропитания. АБП при этом работает только от батареи.
Коэффициент нагрузки	Отношение мощности, потребляемой соединенным с АБП оборудованием, к максимальной мощности, которую может обеспечить АБП.
Нормальная линия пер. тока	Нормальная линия питания АБП от электросети.
Оборудование	Аппараты или устройства, соединенные с выходом АБП.
Персонализация	Программирование некоторых параметров со значениями, отличными от стандартной конфигурации на выходе с завода-изготовителя. Некоторые функции АБП могут быть изменены программным обеспечением Personal Solution-Pac с целью наилучшего удовлетворения потребностей пользователя.
Порог предупредительного сигнала конца автономной работы батареи	Предельное значение уровня напряжения батареи, позволяющее обнаружить близость конца срока ее автономной работы и принять необходимые меры, касающиеся близкого отключения питания оборудования.
Программируемые разъемы	Разъемы, которые могут получать команды для автоматической разгрузки, дистанционного останова и последовательного запуска (персонализация с помощью программного обеспечения Personal Solution-Pac).
Программное включение/выключение АБП	Функция, разрешающая или запрещающая программному обеспечению защиты систем информатики запускать последовательности включения/выключения АБП.
Продолжительность автономной работы	Промежуток времени, в течение которого оборудование получает питание от АБП, работающего от аккумуляторной батареи.
Режим «booster» (вольтодобавочный)	Режим автоматической работы АБП, позволяющий увеличить напряжение от сети электропитания в случае его снижения, до значения, лежащего выше уровня, заданного при персонализации, без разрядки батареи.
Режим «fader» (понижающий)	Режим автоматической работы АБП, позволяющий снизить напряжение от сети электропитания в случае его значительного увеличения, до значения, лежащего ниже величины, заданной при персонализации, без разрядки батареи.
Тест батареи	Внутренний тест АБП, позволяющий проверить состояние аккумуляторной батареи.
FlexPDU	Блок выходных разъемов АБП для установки в раму стойки. Имеются блоки различного типа, соответствующие различным типам разъемов.
HotSwap MBP	Блок ручного обхода АБП с целью техобслуживания. Имеются блоки различного типа, соответствующие различным типам разъемов.

