



ИБП Eaton 9355M 10 kVA - Eaton 9155 Marine and 9355 Marine UPS 8-15 kVA - Листовка

Постоянная ссылка на страницу: <https://eaton-power.ru/catalog/eaton-9355-marine/eaton-9355m-10-kva/>

# Eaton 9155M and 9355M UPS

8 - 15 kVA



#### Advanced vessel or rig power protection for:

- Navigation systems
- Communication systems
- Ship automation
- Computer systems
- Integrated bridge

**EATON**

Powering Business Worldwide

#### Double conversion UPS

##### Qualified design for marine and offshore environment

- DNV type approved UPS
- BV type approved UPS
- ABS design assessed
- Compact design for saving space
- Easy to install, mounting rails can be bolted or welded to the deck/bulk head
- IP22 protection class
- Vibration absorbers under and at the back of the cabinet
- Maintenance from the front

##### Premium power performance

- Double conversion provides the highest level of protection available by isolating the output power from all input anomalies.
- Active power factor correction (PFC) provides 0,99 input power factor and less than 4,5% ITHD, thus eliminating interference with other critical equipment in the same network and enhancing compatibility with generators.
- The UPS is optimized for protecting modern 0,9 p.f. rated IT equipment without the need to oversize.

##### True reliability

- Patented Powerware HotSync® technology makes it possible to parallel up to four UPSs to increase availability or add capacity. The technology enables load sharing without any communication line, thus eliminating single point of failure.
- ABM® technology charges batteries only when necessary, preventing batteries corrosion and prolonging batteries service life by up to 50%.
- Internal automatic static bypass switch
- Internal mechanical bypass switch

##### Extensive configurability

- Configurable to frequency converter operation (50 → 60Hz and 60 → 50Hz)
- A multilingual graphical LCD display makes possible to monitor the UPS status easily.
- Wide software and connectivity options provide monitoring, management and shutdown capabilities over network.

##### Cost savings and sustainability

- Small footprint saves valuable space in ship and rig installations.
- Possibility for internal transformer or batteries eliminate the need for costly and space-consuming external cabinets.
- A single technical platform used in Eaton's UPS products guarantee easy upgrades and similarity in service, thus lowering total cost of ownership.
- A range of service agreement options can be easily customized for customers' needs and budget.
- Eaton uses sustainable materials and highly efficient manufacturing technology, thus generating dramatic savings in carbon footprint as compared to competitive UPS systems.

# Eaton 9155M/9355M UPS 8-15 kVA

## TECHNICAL SPECIFICATIONS

### UPS output power rating (0,9 p.f.)

|     |     |    |      |      |
|-----|-----|----|------|------|
| kVA | 8   | 10 | 12   | 15   |
| kW  | 7,2 | 9  | 10,8 | 13,5 |

### General

|  |                                |
|--|--------------------------------|
| Efficiency in double conversion mode (full load) | 92% (without transformer)      |
| Efficiency in double conversion mode (half load) | 90% (without transformer)      |
| Distributed paralleling with Hot Sync technology | 4                              |
| Field upgradeable                                | yes                            |
| Inverter/rectifier topology                      | transformer-free IGBT with PWM |
| Audible noise                                    | <50 dB                         |
| Colour   | RAL 7035                       |

### Input

|                                       |   |
|---------------------------------------|---|
| Nominal voltage rating (configurable) | 380, 400, 415 V 50/60 Hz  |
| With internal transformer             | (9155): e.g. 230, 400, 440, 480, 690V   |
| With external transformer             | (9355): e.g. 230, 400, 440, 480, 690V   |
| Input voltage range                   | Low -20% at 100% load/-50% at 50% load without battery discharge; High +10% /max +20% |
| Input frequency range                 | 45-65 Hz  |
| Input power factor                    | 0,99  |
| Input ITHD                            | less than 4,5%  |
| Soft start capability                 | Yes   |
| Internal backfeed protection          | Yes   |

### Output

|                                       |                                       |
|---------------------------------------|---------------------------------------|
| Nominal voltage rating (configurable) | 380, 400, 415 V 50/60 Hz              |
| With external transformer             | (9155): e.g. 230, 400, 440, 480, 690V |
| With internal transformer             | (9355): e.g. 230, 400, 440, 480, 690V |

|                             |   |
|-----------------------------|---|
| Output UTHD                 | <3% (100% linear load); <5% (reference non linear load) |
| Output power factor         | 0,9 (e.g. 9 kW at 10 kVA)                               |
| Permitted load power factor | 0,7 lagging - 0,8 leading                               |

### Battery

|                                     |                                       |
|-------------------------------------|---------------------------------------|
| Type                                | Maintenance free VRLA batteries, NiCd |
| Charging method                     | ABM technology or Float               |
| Temperature compensation            | Optional                              |
| Battery nominal voltage (lead-acid) | 384 V (32x12 V, 192 cells)            |
| Charging current / Model            | Default 3 A<br>*Max 30 A              |

\*May be limited by maximum UPS input current rating

### Accessories

Isolation transformer, long-life batteries, external battery cabinets, UPS Center (input, bypass, distribution), X-Slot connectivity (Web/SNMP, ModBus/Jbus, Relay, Hot Sync, ViewUPS-X remote display), Hot Sync parallel tie cabinet, integrated manual bypass, external maintenance bypass switch

### Communications

|                      |                      |
|----------------------|----------------------|
| X-Slot               | 2 communication bays |
| Serial ports         | 1 available          |
| Relay inputs/outputs | 2/1 programmable     |

### Compliance with standards

|                                     |   |
|-------------------------------------|---|
| Safety                              | IEC 62040-1, IEC 60950-1                            |
| EMC                                 | IEC 62040-2, IEC 60945                              |
| Performance                         | IEC 62040-3   |
| Approvals                           | CE, DNV Type Approval, BV Type Approval and ABS PDA |
| Other classification survey reports | On request  |

### Stand-alone UPS with 1-phase input

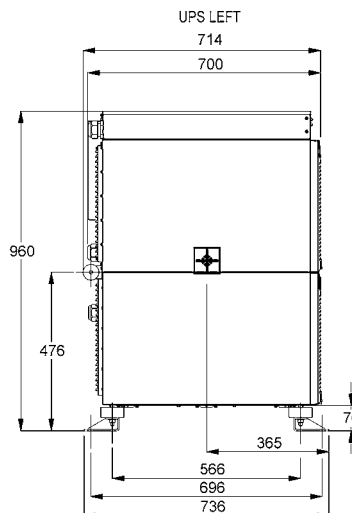
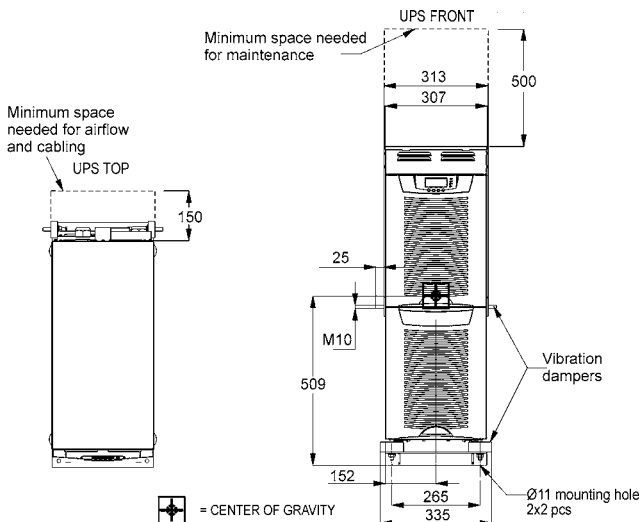
| Description  | Rating         | Dimensions (HxWxD)    | Weight with input transformer (net/gross) |
|--------------|----------------|-----------------------|---|
| 9155-8-ST-M  | 8 kVA / 7.2 kW | 960x313x714 (+150 mm) | 170/190 kg                                |
| 9155-10-ST-M | 10 kVA / 9 kW  | 960x313x714 (+150 mm) | 170/190 kg                                |

### Stand-alone UPS with 3-phase input

| Description  | Rating           | Dimensions (HxWxD)    | Weight with input transformer (net/gross) |
|--------------|------------------|-----------------------|---|
| 9155-8-NT-M  | 8 kVA / 7.2 kW   | 960x313x714 (+150 mm) | 170/190 kg                                |
| 9155-10-NT-M | 10 kVA / 9 kW    | 960x313x714 (+150 mm) | 170/190 kg                                |
| 9155-12-NT-M | 12 kVA / 10.8 kW | 960x313x714 (+150 mm) | 170/190 kg                                |
| 9155-15-NT-M | 15 kVA / 13.5 kW | 960x313x714 (+150 mm) | 170/190 kg                                |

### External battery cabinets

| Description       | Rating    | Back-up           | Dimensions (HxWxD)     | Weight (net/gross) |
|-------------------|-----------|-------------------|------------------------|--------------------|
| 9X55-BAT-M-64x7Ah | 2x32x7 Ah | See runtime spec. | 880x347x718 (+150 mm)  | 217/237 kg         |
| 9X55-BAT-M-96x7Ah | 3x32x7 Ah | See runtime spec. | 1278x347x718 (+150 mm) | 323/348 kg         |



TYPE APPROVED PRODUCT