



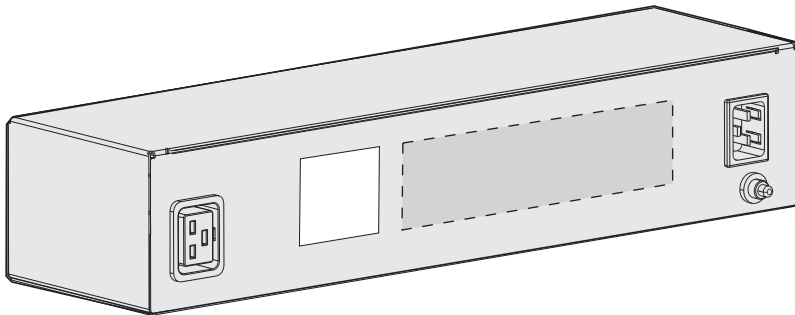
ИБП Eaton EX 3000 2U Rack/Tower Netpack - Eaton EX - Морской фильтр 3000 ВА - Установка и рук

Постоянная ссылка на страницу: <https://eaton-power.ru/catalog/eaton-ex/eaton-ex-3000-rt2u-netpack/>

Marine Filter

3000 VA

Installation and user
manual



Powering Business Worldwide

Powering Business Worldwide



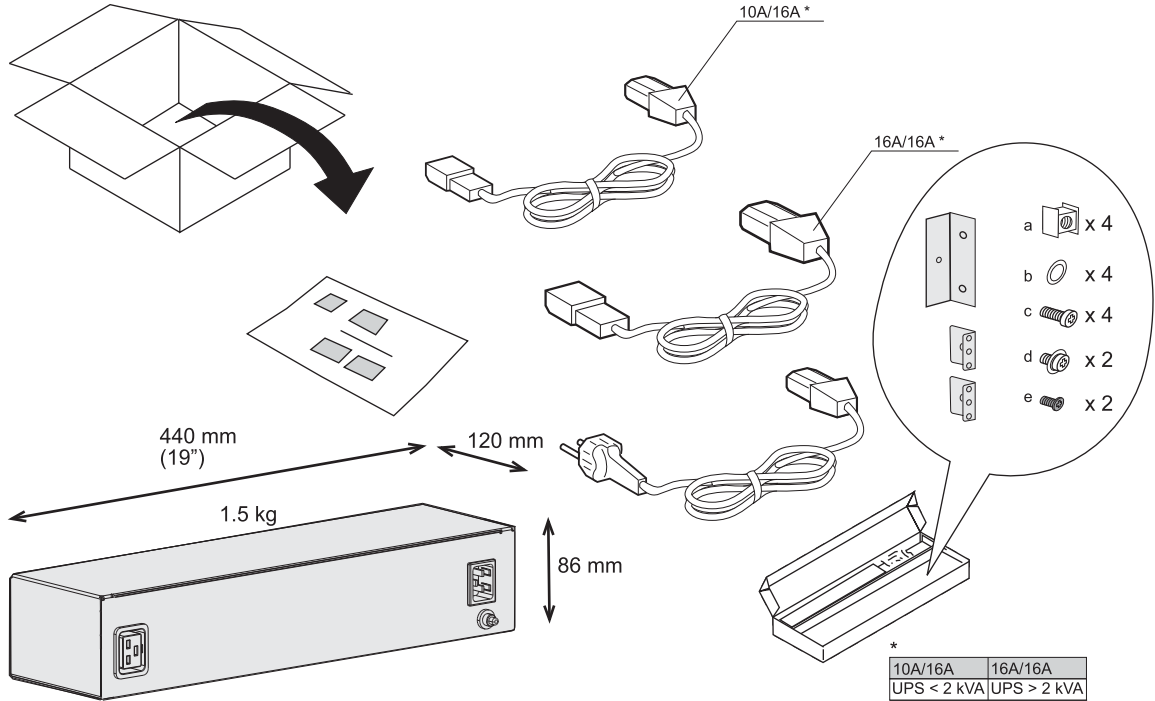
34008410/AD

www.eaton.com

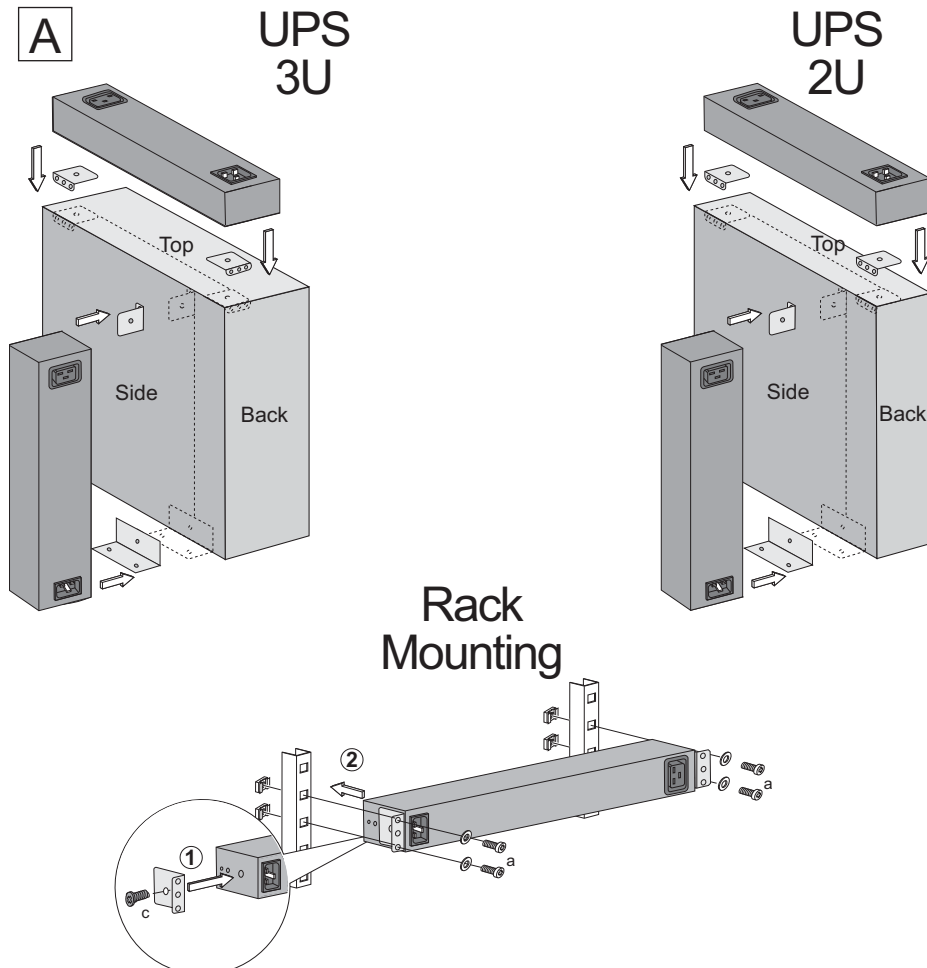
Introduction

This product filters the low frequency noises produced by a UPS from 10 Hz to 150 KHz.

Packaging



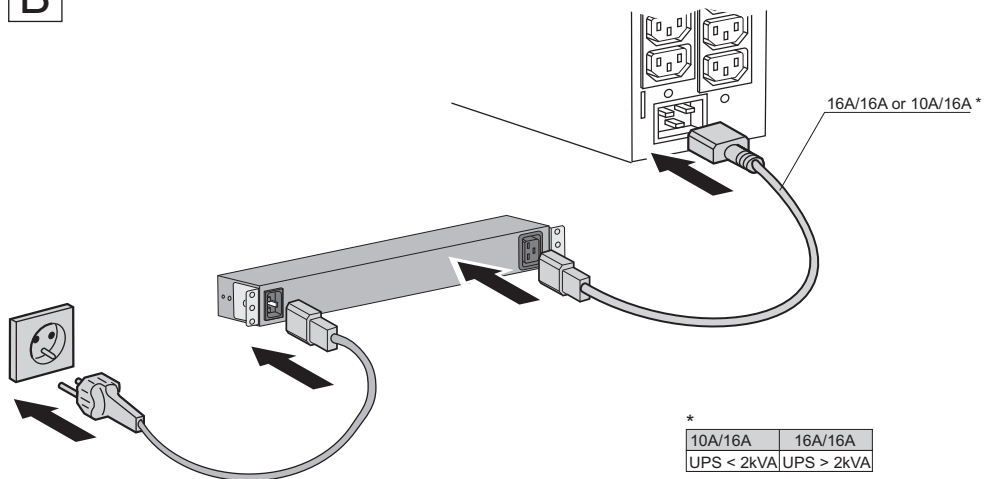
Installation



Installation

The socket-outlet shall be installed near the equipment and shall be easily accessible.

B



Important safety instruction:

Dangerous voltage levels are present within the filter. It should be opened exclusively by qualified service personnel.

Technical specifications

| | Marine Filter 3000 VA |
|-------------------------------|-----------------------------------------------|
| Power rating | 3000 VA (Can be used with UPS up to 3 kVA) |
| Voltage | Single phase 220-240 V |
| Alternative current | 16A max |
| Frequency | 50/60 Hz |
| Inrush current | 288A crest/68 μs |
| Dimensions (HxLxD) | 86 mm x 440 mm (19") x 120 mm |
| Standards | |
| Safety standards | CEI 60950, CEI/EN 62040-1-1 & CEI 60945 |
| EMC standards | CEI 62040-2 & CEI 60945 |
| Environment | |
| ▶ Operating temperature range | 5°C to 55°C |
| ▶ Relative humidity | 20% to 90% (non-condensing) |

