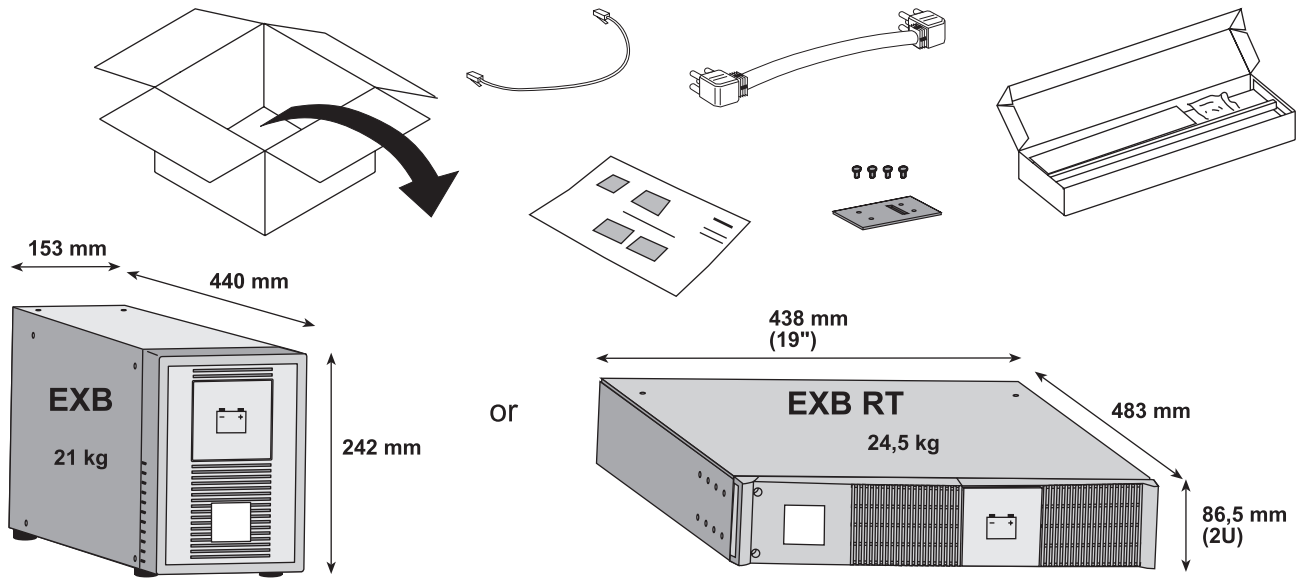




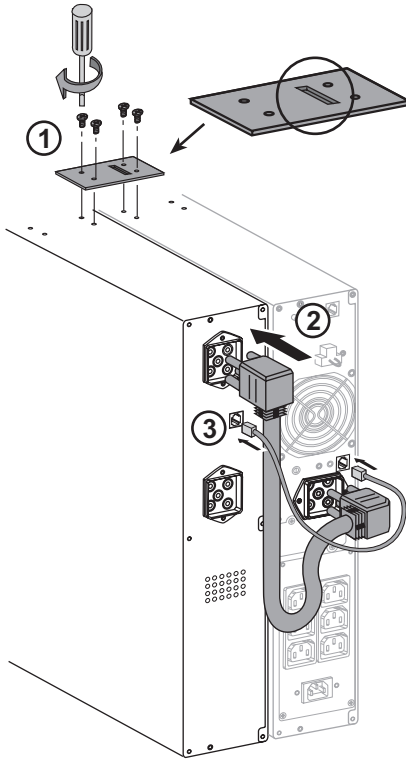
ИБП Eaton EX 1500VA Tower - Внешние батарейные модули Eaton EX - 700,1000,1500 - Руководств

Постоянная ссылка на страницу: <https://eaton-power.ru/catalog/eaton-ex/eaton-ex-1500va-tower/>

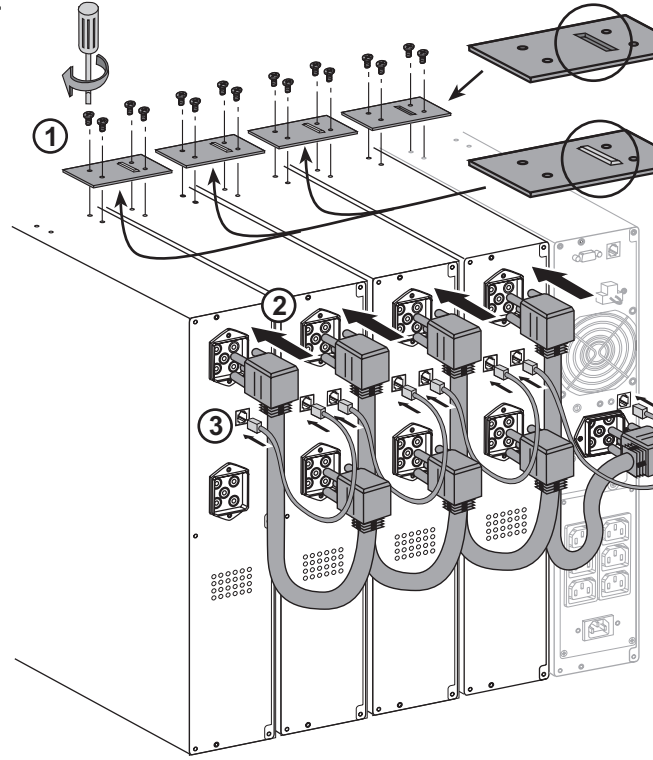


The EXB models EX EXB 1000/1500 and EX EXB RT2U 1000/1500 can be used together with the UPS Pulsar series models EX 1000, EX 1000 RT2U, EX 1500 and EX 1500 RT2U.

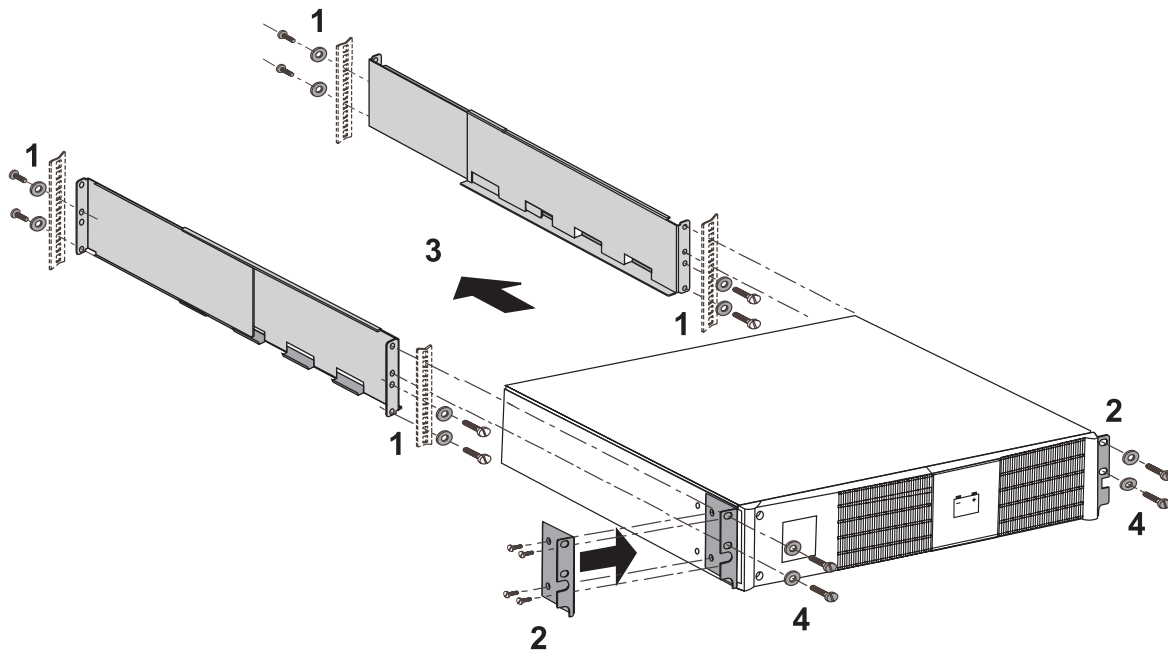
1 x EXB RT



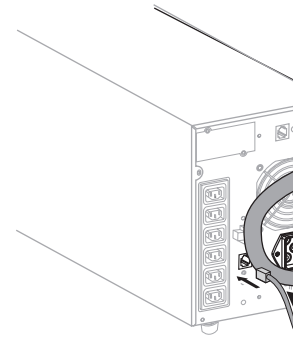
4 x EXB RT



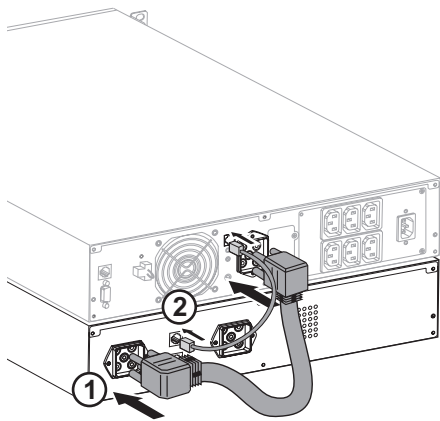
The EXB models EX EXB 100
with UPS Pulsar series mod



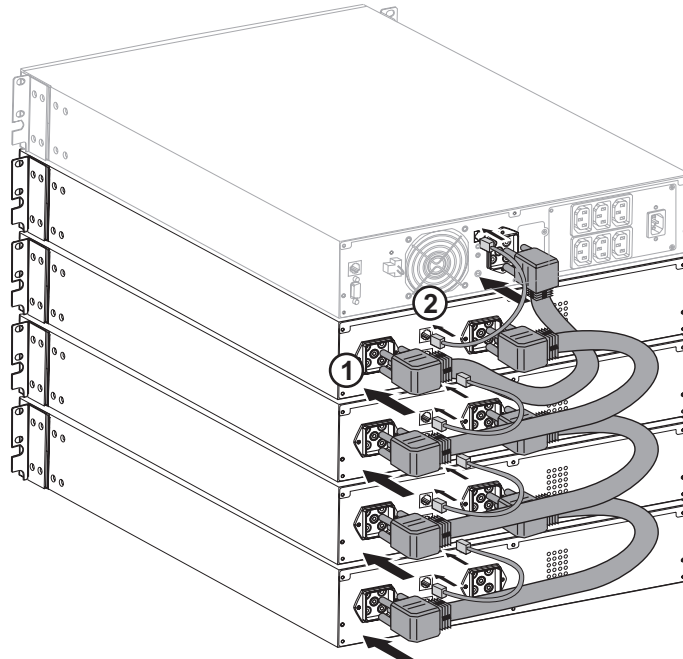
1 x EXB



1 x EXB RT



4 x EXB RT



4 x EXB

