



ИБП Eaton EX 700VA Tower - Оборудование Eaton EX 2200 RT 2U, 2200 RT 3U, 3000 RT 2U, 3000 RT 3U

Постоянная ссылка на страницу: <https://eaton-power.ru/catalog/eaton-ex/eaton-ex-700va-tower/>

EX

2200 RT 2U

2200 RT 3U

3000 RT 2U

3000 RT 3U

3000 RT 3U XL

EXB RT 3U



Installation and user manual

English

Français

Deutsch

Italiano

Español

Nederlands

Русский

Pulsar Series

EATON

Powering Business Worldwide

EX
2200 RT 2U
2200 RT 3U
3000 RT 2U
3000 RT 3U
3000 RT 3U XL
EXB RT 3U

**Installation and user
manual**



Pulsar Series

Thank you for selecting an EATON product to protect your electrical equipment.

The **EX** range has been designed with the utmost care.

We recommend that you take the time to read this manual to take full advantage of the many features of your **UPS (Uninterruptible Power System)**.

Before installing **EX**, please read the booklet on the required safety instructions. Then follow the indications in this manual.

To discover the entire range of EATON products and the options available for the **EX** range, we invite you to visit our web site at www.eaton.com or contact your EATON representative.

Environmental protection

EATON has implemented an environmental-protection policy.

Products are developed according to an eco-design approach.

Substances


This product does not contain CFCs, HCFCs or asbestos.

Packing

To improve waste treatment and facilitate recycling, separate the various packing components.

- ▶ The cardboard we use comprises over 50% of recycled cardboard.
- ▶ Sacks and bags are made of polyethylene.
- ▶ Packing materials are recyclable and bear the appropriate identification symbol



Material	Abbreviation	Symbol number	
Polyethylene terephthalate	PET	01	
High-density polyethylene	HDPE	02	
Polyvinyl chloride	PVC	03	
Low-density polyethylene	LDPE	04	
Polypropylene	PP	05	
Polystyrene	PS	06	

Follow all local regulations for the disposal of packing materials.

End of life

EATON will process products at the end of their service life in compliance with local regulations.

EATON works with companies in charge of collecting and eliminating our products at the end of their service life.

Product

The product is made up of recyclable materials.

Dismantling and destruction must take place in compliance with all local regulations concerning waste.

At the end of its service life, the product must be transported to a processing centre for electrical and electronic waste.

Battery

The product contains lead-acid batteries that must be processed according to applicable local regulations concerning batteries.

The battery may be removed to comply with regulations and in view of correct disposal.

Introduction

Pictograms



Important instructions that must always be followed.



Information, advice, help.



Visual indication.



Action.



Audio signal.

In the illustrations on the following pages, the symbols below are used:



LED off



LED on



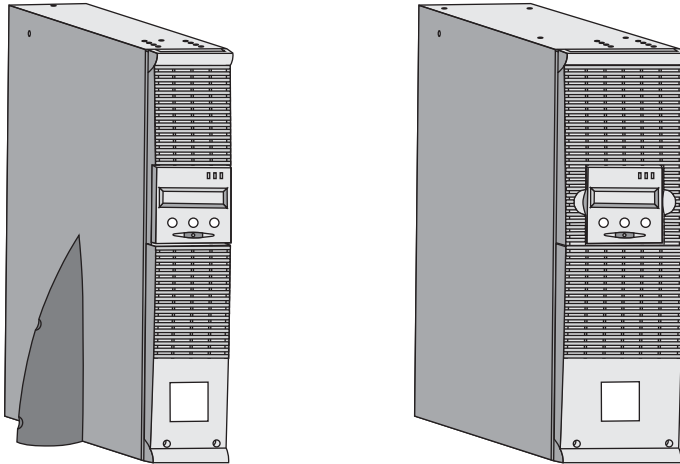
LED flashing

1. Presentation	
1.1 Standard positions	6
Tower position.....	6
Rack position.....	6
1.2 Rear panels	7
EX 2200 / 3000	7
EX EXB (optional battery module)	7
1.3 Control panel	7
2. Installation	
2.1 Unpacking and contents check	8
2.2 Installation in tower position	9
2.3 Installation in rack position	9
2.4 Communication ports	10
Connection of RS232 or USB communication port (optional)	10
Installation of the communication cards (optional)	10
2.5 Connection with a FlexPDU (Power Distribution Unit) module	11
2.6 Connection with a HotSwap MBP module	11
HotSwap MBP-module operation	12
2.7 UPS connection without a FlexPDU or HotSwap MBP module	12
3. Operation	
3.1 Start-up and normal operation	13
3.2 Operation on battery power	13
3.3 Return of AC input power	14
3.4 UPS shutdown	14
3.5 Using the UPS remote control functions	14
4. Access to measurements and personalisation data	
4.1 Display menus arrangement	16
4.2 Access to measurements	16
4.3 Personalisation using the control panel	16
4.4 Personalisation using external software	17
5. Maintenance	
5.1 Troubleshooting	18
Troubleshooting a UPS equipped with the HotSwap MBP module	19
5.2 Battery-module replacement	19
Safety recommendations.....	19
Battery-module removal.....	19
Mounting the new battery module	20
5.3 Maintenance on a UPS equipped with the HotSwap MBP module	20
5.4 Training centre	21
6. Appendices	
6.1 Technical specifications	22
6.2 Glossary	23

1. Presentation

1.1 Standard positions

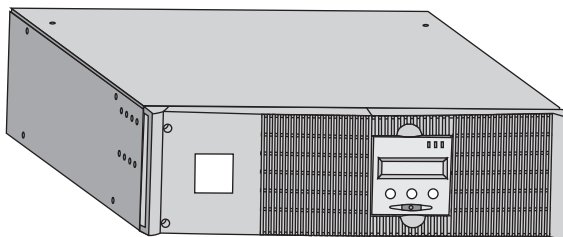
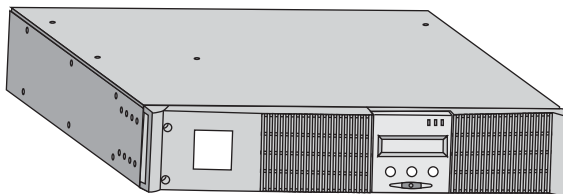
Tower position



Dimensions (H x W x D) in mm	
EX 2200 RT 2U	440 x 86 x 640
EX 2200 RT 3U	440 x 131 x 490
EX 3000 RT 2U	440 x 86 x 640
EX 3000 RT 3U	440 x 131 x 490
EX 3000 RT 3U XL	440 x 131 x 490
EX EXB RT 3U	440 x 131 x 490

Weights in kg	
EX 2200 RT 2U	31
EX 2200 RT 3U	30
EX 3000 RT 2U	31
EX 3000 RT 3U	30
EX 3000 RT 3U XL	17
EX EXB RT 3U	42

Rack position



1. Presentation

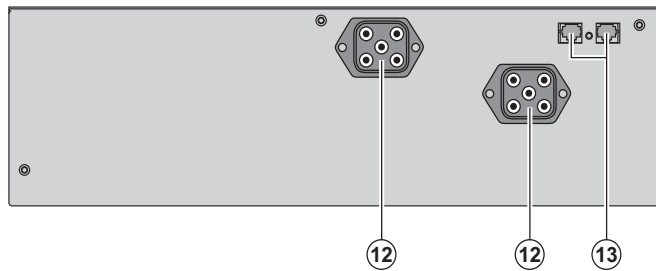
1.2 Rear panels

EX 2200 / 3000 / 3000 XL



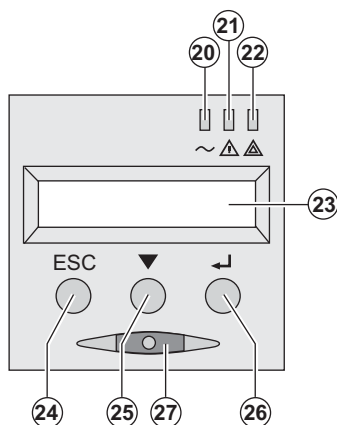
- (1) USB communication port
- (2) RS232 communication port
- (3) Connector for automatic recognition of an additional battery module
- (4) Slot for optional communication card
- (5) Connector for remote ON/OFF and RPO (Remote Power Off) control
- (6) Connector for additional battery module
- (7) 16 A outlet for connection of equipment
- (8) Two groups of 2 programmable outlets for connection of equipment
- (9) Groups of 4 outlets for connection of equipment
- (10) Socket for connection to AC-power source
- (11) LED (SWF) indicating distribution system phase/neutral reversal

EX EXB (optional battery module)



- (12) Connectors for battery modules (to the UPS or to the other battery modules)
- (13) Connectors for automatic recognition of battery modules

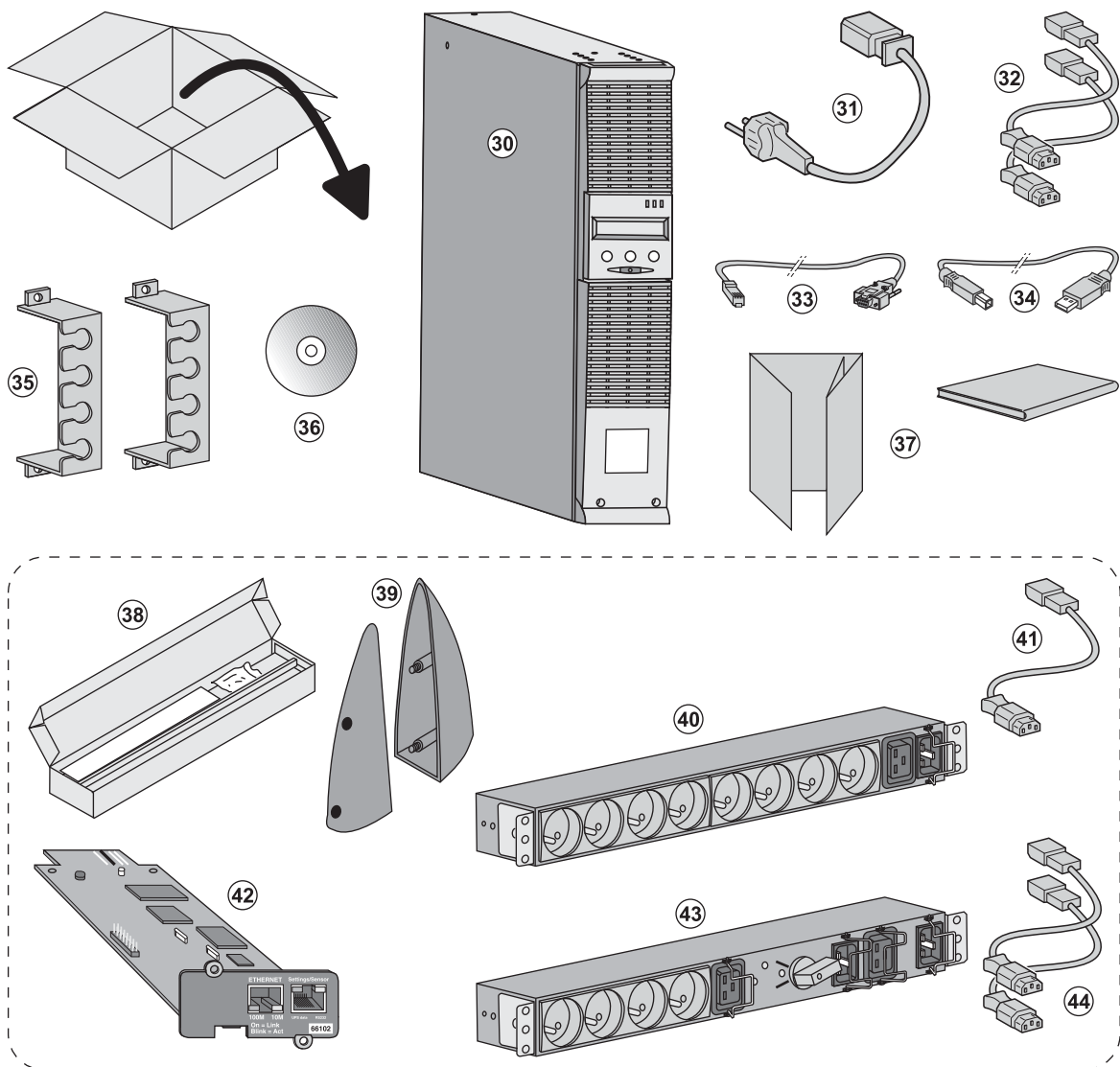
1.3 Control panel



- (20) Load protected LED
- (21) Downgraded operation LED
- (22) Load not protected LED
- (23) Alphanumeric display
- (24) Escape (cancel) button
- (25) Scroll button
- (26) Enter (confirm) button
- (27) ON/OFF button for UPS and outlets

2. Installation

2.1 Unpacking and contents check



(30) EX 2200 / 3000 / 3000 XL UPS

(31) connection cable to AC-power source

(32) 2 connection cables for the protected equipment

(33) RS232 communication cable

(34) USB communication cable

(35) 2 systems to secure power plugs

(36) Solution-Pac CD-ROM

(37) Documentation

Elements supplied depending on the version or optional

(38) Mounting kit for 19-inch bays

(39) 2 supports for the upright position (2U version only)

(40) FlexPDU module (optional)

(41) connection cable between FlexPDU module and UPS

(42) NMC communication card (optional)

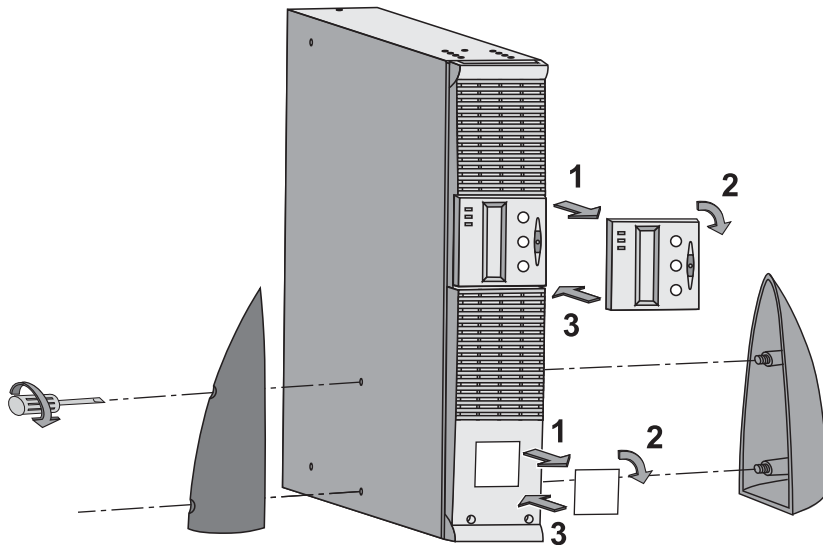
(43) HotSwap MBP module (optional)

(44) connection cables between HotSwap MBP module and UPS



Packing materials must be disposed of in compliance with all local regulations concerning waste. Recycling symbols are printed on the packing materials to facilitate sorting.

2.2 Installation in tower position



2.3 Installation in rack position

It is advised to first install the battery module, then the power module above.



Follow steps 1 to 4 for module mounting on the rails.



The rails and necessary hardware are supplied by EATON.

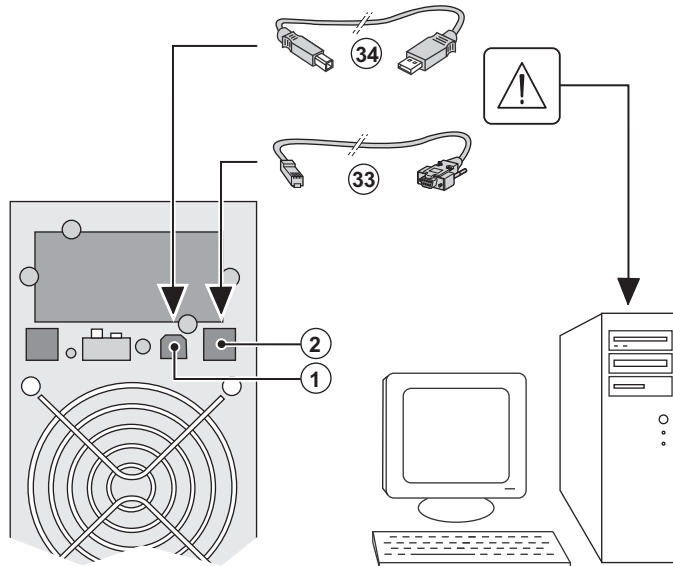
2. Installation

2.4 Communication ports

Connection of RS232 or USB communication port (optional)



The RS232 and USB communication ports cannot operate simultaneously.

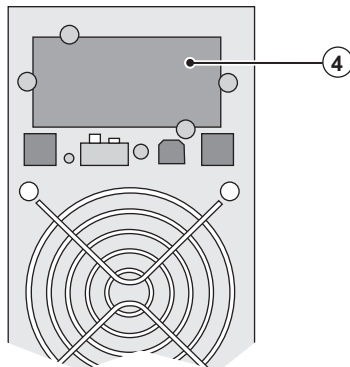


1 - Connect the RS232 (33) or USB (34) communication cable to the serial or USB port on the computer equipment.

2 - Connect the other end of the communication cable (33) or (34) to the USB (1) or RS232 (2) communication port on the UPS.

The UPS can now communicate with EATON power management software.

Installation of the communication cards (optional)



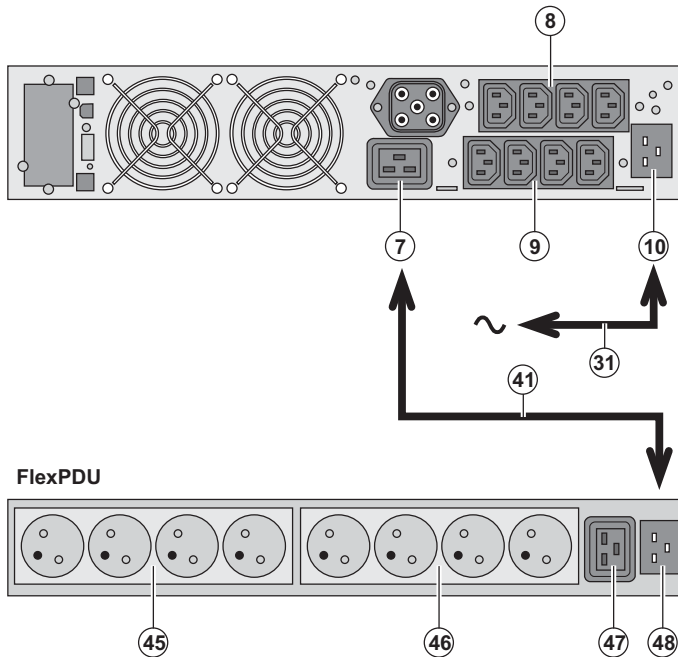
Communication card slot (restricted access)

It is not necessary to shutdown the UPS before installing a communication card.

- 1 - Remove the UPS cover (4) secured by screws.
- 2 - Insert the communication card in the slot.
- 3 - Put the UPS cover back in place using the screws.

2. Installation

2.5 Connections with a FlexPDU (Power Distribution Unit) module (optional)



1 - Connect the UPS socket (10) to the AC-power source using the cable (31) supplied.

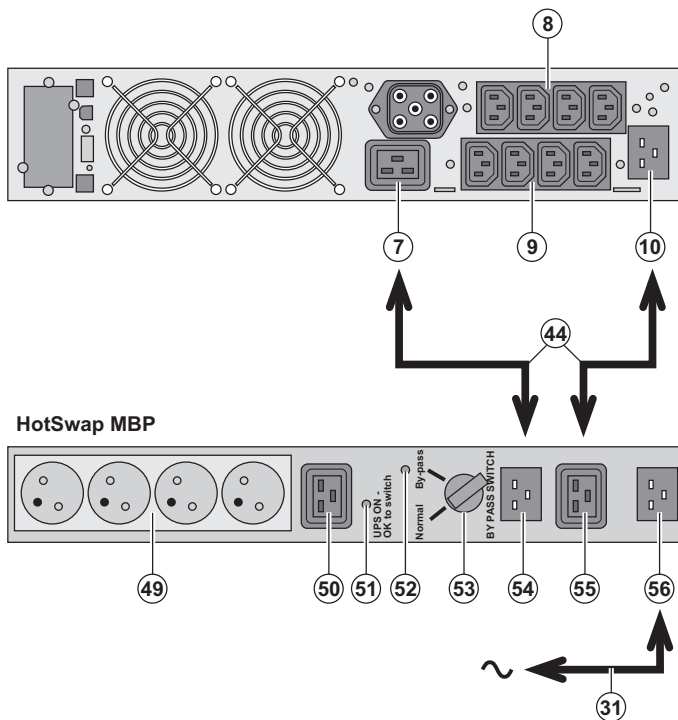
2 - Connect the input socket on the FlexPDU module (48) to the UPS outlet (7) using the cable (41) supplied. The cable and the connectors are marked in red.

3 - Connect the equipment to the outlets (45), (46) and (47) on the FlexPDU module. These outlets differ, depending on the version of the FlexPDU module.

4 - Fit the connection securing system that prevents the plugs from being pulled out accidentally.

2.6 Connections with a HotSwap MBP module (optional)

The **HotSwap MBP** module makes it possible to service or even replace the UPS without affecting the connected loads (**HotSwap** function).



1 - Connect the input socket (56) on the HotSwap MBP module to the AC-power source using the cable (31) supplied.

2 - Connect the UPS input socket (10) to the "UPS Input" (55) on the HotSwap MBP module, using the cable (44) supplied. These cables and the connectors are marked blue.

3 - Connect the UPS outlet (7) to the "UPS Output" (54) on the HotSwap MBP module, using the cable (44) supplied. These cables and the connectors are marked red.

4 - Connect the equipment to the outlets (49) and (50) on the HotSwap MBP module. These outlets differ, depending on the version of the HotSwap MBP module.

Caution. Do not use UPS outlets (8) and (9) to supply equipment because use of switch (53) on the HotSwap MBP module would cut supply to the equipment. It is advised not to remove the protective film from outlets (8) and (9).



2. Installation

HotSwap MBP-module operation



The **HotSwap MBP** module has a rotary switch (53) with two positions:
Normal - the load is supplied by the UPS,
Bypass - the load is supplied directly by the AC-power source.

UPS start-up with the HotSwap MBP module

- 1 - Check that the UPS is correctly connected to the **HotSwap MBP** module.
 - 2 - Set switch (53) to the Normal position.
 - 3 - Start the UPS by pressing the ON/OFF button (27) on the UPS control panel.
- The load is supplied by the UPS.
LED (51) "UPS ON - OK to switch" on the **HotSwap MBP** module goes ON.

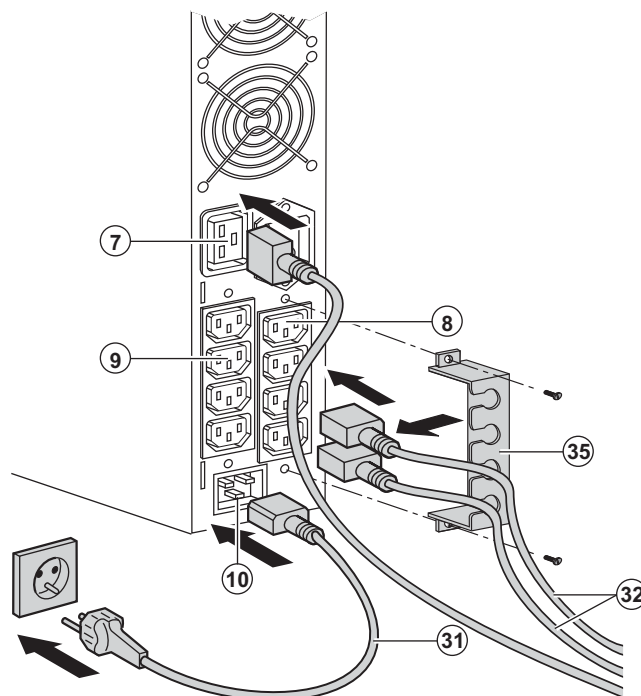
HotSwap MBP-module test

- 1 - Set switch (53) to the Bypass position and check that the load is still supplied.
- 2 - Set switch (53) back to the Normal position.

2.7 UPS connection without a FlexPDU or HotSwap MBP module



Check that the indications on the name plate located on the back of the UPS correspond to the AC-power source and the true electrical consumption of the total load.



- 1 - Connect the supplied cable (31) (250 V - 16 A) to the socket (10), then to the AC-power source.
 - 2 - Connect the loads to the UPS using the cables (32).
- It is preferable to connect the priority loads to the four outlets marked (9) and the non-priority loads to the four outlets marked (8) that can be programmed in pairs (1 and 2). Connect any high-power devices to the 16 A outlet (7).

To program shutdown of outlets (8) during operation on battery power and thus optimise the available backup time, the EATON communication software is required.

- 3 - Fit the connection securing system (35) that prevents the plugs from being pulled out accidentally.



Note. The UPS charges the battery as soon as it is connected to the AC-power source, even if button (27) is not pressed.

Once the UPS is connected to the AC-power source, eight hours of charging are required before the battery can supply the rated backup time.



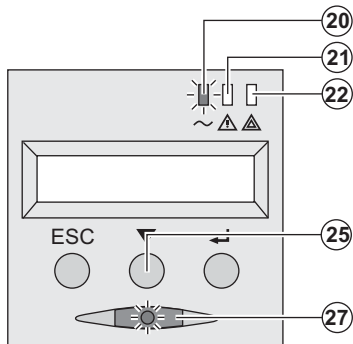
EX 3000 XL: at least one additional EXB battery module must be connected to the UPS because it does not have internal batteries.

Refer to EXB battery module installation manual (doc n° 34008167) for further information about connections.

3.1 Start-up and normal operation



For the initial start, AC input power must be present to detect any wiring errors. Subsequently, the UPS can start even if AC input power is not present.



Press button (27) for approximately 1 second.

- ▶ The buzzer beeps once and all the LEDs go ON simultaneously.
- ▶ The buzzer then beeps twice during the self-test, then button (27) remains ON, indicating that the load outputs are supplied.

The connected devices are protected by the UPS.

- ▶ LED (20) is ON.

If LED (22) is ON, a fault has occurred (see the "Troubleshooting" section).

- ▶ During normal operation, the scroll button (25) may be used to read UPS measurements (voltage on normal and bypass AC inputs, operating mode, battery capacity and UPS serial number).



UPS personalisation

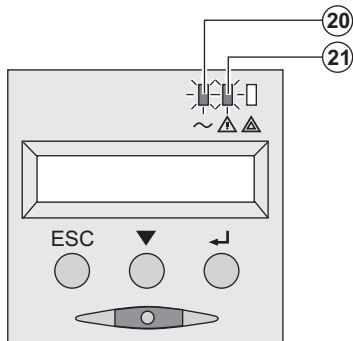


If UPS personalisation is desired, it is advised to enter the personalisation mode at this time.

This mode may be entered using the buttons on the control panel or the **Personal Solution-Pac** software (Windows) included on the **Solution-Pac** CD-ROM provided by EATON.

3.2 Operation on battery power

Transfer to battery power



- ▶ The connected devices continue to be supplied by the UPS when AC input power is no longer available. The necessary energy is provided by the battery.

- ▶ LEDs (20) and (21) go ON.

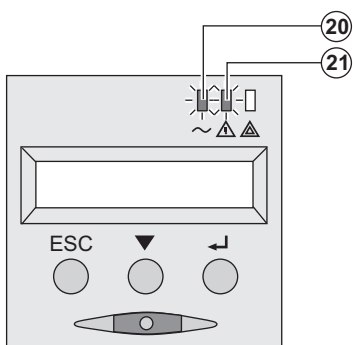
- ▶ The audio alarm beeps every ten seconds.

The connected devices are supplied by the battery.

The display indicates the remaining backup time.



Low-battery warning



- ▶ LEDs (20) and (21) go ON.

- ▶ The audio alarm beeps every three seconds.

The remaining battery power is low.

Shut down all applications on the connected equipment because automatic UPS shutdown is imminent.



3. Operation

End of battery backup time



- ▶ All the LEDs go OFF.
- ▶ The audio alarms stops.

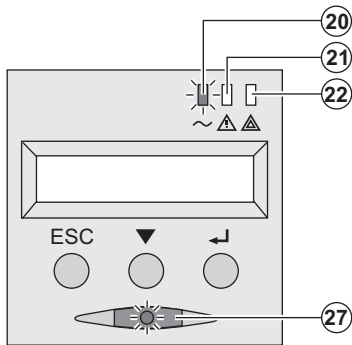


The UPS is completely shut down.

3.3 Return of AC input power

Following an outage, the UPS restarts automatically when AC input power returns (unless the restart function was disabled via UPS personalisation) and the load is again supplied.

3.4 UPS shutdown



Press button (27) for approximately 2 seconds.

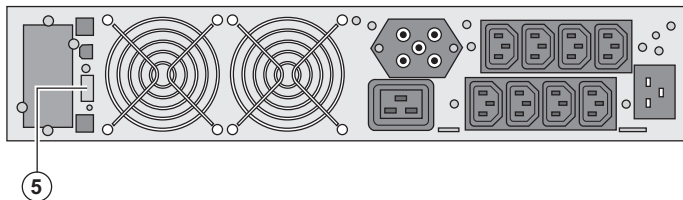
The devices connected to the UPS are no longer supplied.

3.5 Using the UPS remote control functions

EX offers a choice between two remote control functions.

- ▶ **RPO: Remote Power Off** allows a remote contact to be used to disconnect all the equipment connected to the UPS. Restarting the UPS requires manual intervention.
- ▶ **ROO: Remote ON/OFF** allows remote action of button (27) to shut down the UPS.

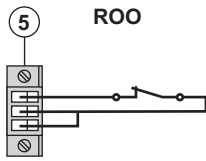
These functions are obtained by opening a contact connected between the appropriate pins of connector (5) on the rear panel of the UPS (see diagram on figures below).



Remote control connection and test

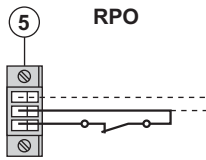


- 1 - Check that the UPS is off and disconnected from the AC input source.
- 2 - Remove connector (5) after unscrewing the screws.
- 3 - Connect a normally closed volt-free contact (60 Vdc / 30 Vac max, 20 mA max, 0.75 mm² cable cross section) between the two pins of connector (5), see diagram.



Contact open: shut down of UPS
Contact closed: start-up of UPS (UPS connected to the network and network energized)

Note: local On/Off control via button (27) has priority over the remote control order.



Contact open: shut down of UPS
To return to normal operation, deactivate the external remote shut down contact and restart the UPS using button (27).

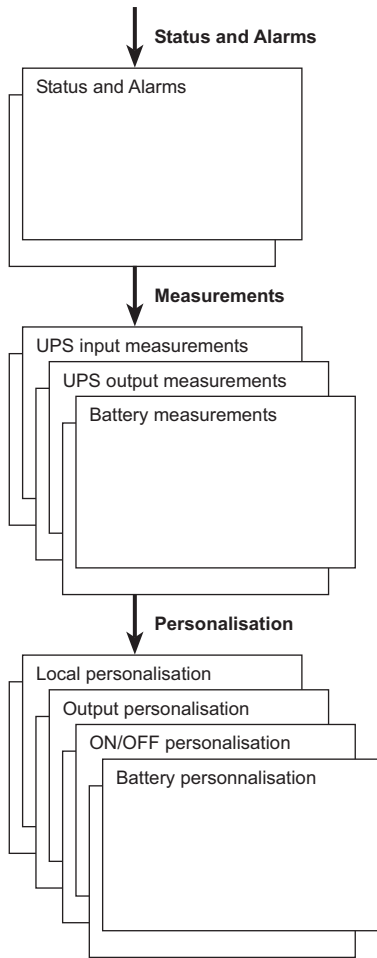
- 4 - Plug connector (5) into the back of the UPS.
- 5 - Connect and restart the UPS according to the previously described procedures.
- 6 - Activate the external remote shut down contact to test the function.



Warning: this connector must only be connected to SELV (Safety Extra Low Voltage) circuits

4. Access to measurements and personalisation data

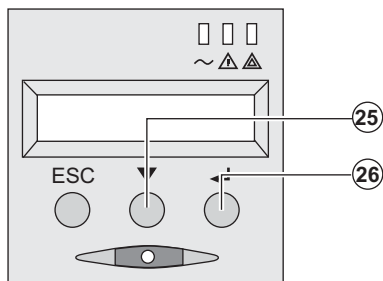
4.1 Display menus arrangement



4.2 Access to measurements

Press the scroll button **(25)** to access any status conditions and alarms, then the measurements for voltage, current, frequency, power output and battery backup time.

4.3 Personalisation using the control panel



- ▶ Press the scroll button **(25)** several times until the personalisation menu is reached.
- ▶ Press the Enter button **(26)** to access the different possibilities.
- ▶ Finally, confirm the selection by pressing the Enter button **(26)** again.

Local personalisation

Function	Factory setting	Other available settings
Language	English	French, Spanish, German, Italian, Dutch
Audio alarm	Enabled	Disabled

4. Access to measurements and personalisation data

Output personalisation

Function	Factory setting	Other available settings	Comments
Output voltage ⁽¹⁾	230 Volts AC	200/208/220/240 Volts AC	
Frequency converter ⁽¹⁾	Disabled	Enabled	The connected devices are never transferred to the bypass.
Output frequency ⁽¹⁾	Automatic selection	50 or 60 Hz	User selectable only if the frequency-converter function is enabled.
Transfer to the bypass AC input ⁽¹⁾	Bypass AC power must be within tolerances	Bypass AC power may be outside tolerances	
Overload level ⁽¹⁾	102%	50 / 70%	Alarm if threshold is overrun.

(1) These parameters may be modified only when the **UPS** is OFF.

Detailed comments are available in the **Personal Solution-Pac** software.

ON/OFF personalisation

Function	Factory setting	Other available settings	Comments
Cold start	Enabled	Disabled	
Automatic restart	Enabled	Disabled	The UPS restarts automatically when AC input power returns.
Energy savings	Disabled	Enabled	When function enabled, battery shuts down when power drops to <5%.
Detection of phase/neutral inversion (SWF)	Disabled	Enabled	When function enabled, the UPS remains OFF if the system detects phase/neutral inversion.

Battery personalisation

Function	Factory setting	Other available settings	Comments
Battery test	Weekly test	No test / daily test / monthly test	
Selection of the backup time	Automatic detection of number of battery modules	65 to 400 Ah	
Battery protection against deep discharge	Enabled	Disabled	When function disabled, EATON warranty no longer applies.

4.4 Personalisation using external software



- ▶ Insert the **Solution-Pac** CD-ROM in the drive.
- ▶ On the first navigation screen, select "Point to Point solution" and follow the instructions on how to install the **Personal Solution-Pac** software.
- ▶ Then select "Settings", "Advanced settings" and "UPS settings".

Note that the Linux/Unix/macOS versions of the **Personal Solution-Pac** software do not offer this possibility.

5. Maintenance

5.1 Troubleshooting



If LED (21) or (22) is ON, a fault or an alarm has occurred.
Use the escape button (24) to stop the audio alarm.

	Indication	Diagnostic	Correction
1	The UPS does not start, the alphanumeric display indicates: COLD START NOK CHECK AC WIRING	The AC input power is not connected or is connected to the UPS output.	Check the UPS is correctly connected to the AC input power.
2	LED (22) is ON, the SWF LED (11) at the rear of the UPS is ON. The alphanumeric display indicates: SITE WIR. FAULT CHECK AC WIRING	Phase inversion on AC input power. The UPS does not start.	<ul style="list-style-type: none"> ▶ In an earthed-neutral system, to correct the wiring, disconnect and turn the AC-power outlet 180° (DIN-SCHUKO type) or call an electrician to modify the connections. ▶ For all other types of system, disable the detection function.
3	LED (22) is ON, the alphanumeric display indicates: NO BATTERY CHECK CONNECTION	The battery is incorrectly connected.	Check battery connections (see section 5.2, Battery-module replacement).
4	LED (22) is ON, the alphanumeric display indicates: BATTERY FAULT SERV REQUIRED	A fault is detected on the battery.	Replace the battery (see section 5.2, Battery-module replacement). Call the after-sales support department.
5	LED (21) is ON, the alphanumeric display indicates: OVERLOAD ALARM REDUCE LOAD	The load level exceeds the programmed overload level or UPS capacity.	Check the power drawn by the connected devices and disconnect any non-priority devices. Check the programmed overload level.
6	LED (22) is ON, the alphanumeric display indicates: LOAD UNPROTECTED OUTPUT OVERLOAD	The UPS is overloaded. Devices connected to the UPS are supplied directly by the AC input source via the By-pass.	Check the power drawn by the connected devices and disconnect any non-priority devices.
7	LED (22) is ON, the alphanumeric display indicates: REDUCE LOAD RESTART UPS	After repetitive overloads, the UPS is locked in the By-pass position. Devices connected to the UPS are supplied directly by the AC input source.	Check the power drawn by the connected devices and disconnect any non-priority devices. Shut down and restart the UPS to return to normal operation.
8	LED (22) is ON, the alphanumeric display indicates: OVERLOAD FAULT REDUCE LOAD	The UPS shut down automatically because of overload at the UPS output.	Check the power drawn by the connected devices and disconnect any non-priority devices.
9	LED (22) is ON, the alphanumeric display indicates: LOAD SHORT-CIRCU CHECK WIRING	The UPS has shut down automatically because of a short-circuit at the UPS output.	Check the installation at the UPS output (wiring, load equipment faults).
10	LED (22) is ON, the alphanumeric display indicates: INTERNAL FAULT SERV REQUIRED	A UPS internal fault has occurred. There are two possible situations: <ul style="list-style-type: none"> ▶ the load is still supplied, but directly with AC input power via the bypass, ▶ the load is no longer supplied. 	Call the after-sales support department.
11	The alphanumeric display indicates: REMOTE POWER OFF RPO	The Remote Power Off (RPO) contact has been activated to shut down the UPS.	Set the contact back to its the normal position, and press the ON/OFF button to restart.

Troubleshooting a UPS equipped with the HotSwap MBP module



	Indication	Diagnostic	Correction
12	The load is no longer supplied when the rotary switch (49) on the HotSwap MBP module is set to the Bypass position.	<ul style="list-style-type: none"> ▶ The protected devices are connected to the UPS output instead of to the HotSwap MBP module. ▶ The AC-power cord is connected to the UPS input instead of to the HotSwap MBP module. 	Check the wiring between the UPS and the HotSwap MBP module (see section 2.6).
13	The load is no longer supplied when the rotary switch (49) on the HotSwap MBP module is set to the Normal position.	<ul style="list-style-type: none"> ▶ The UPS is shut down. ▶ The wiring between the UPS and the HotSwap MBP module is not correct. 	<ul style="list-style-type: none"> ▶ Start the UPS. ▶ Check the wiring between the UPS and the HotSwap MBP module (see section 2.6).
14	The load is no longer supplied after AC-power fails.	<ul style="list-style-type: none"> ▶ The rotary switch (49) on the HotSwap MBP module is set to the Bypass position. ▶ The wiring between the UPS and the HotSwap MBP module is not correct. 	<ul style="list-style-type: none"> ▶ Set the rotary switch (49) on the HotSwap MBP module to the Normal position. ▶ Check the wiring between the UPS and the HotSwap MBP module (see section 2.6).

If a fault leads to UPS shutdown, press the ON/OFF button (27) to clear the fault.

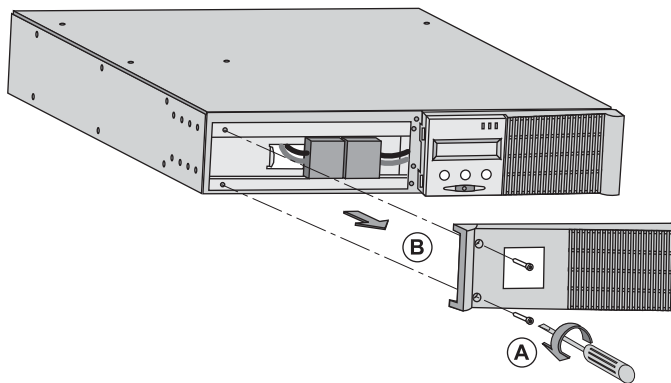
5.2 Battery-module replacement

Safety recommendations

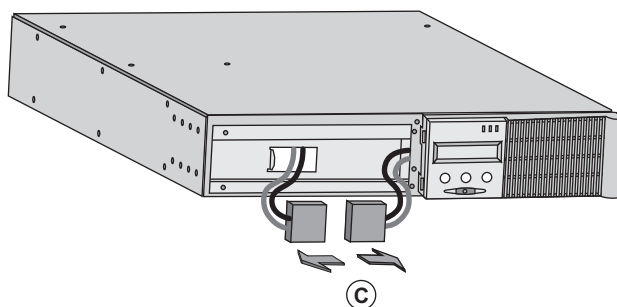
The battery can cause electrocution and high short-circuit currents. The following safety precautions are required before servicing the battery components:

- ▶ Remove watches, rings, bracelets and all other metal objects from the hands and arms,
- ▶ Use tools with an insulated handle.

Battery-module removal

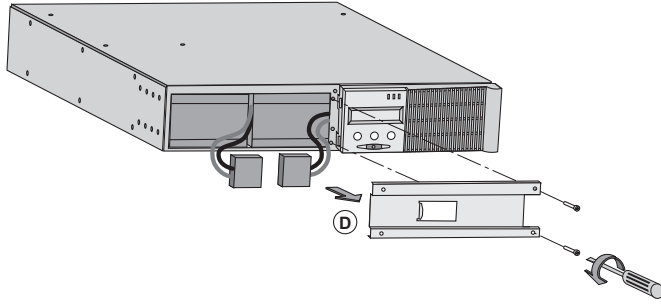


- A - Unscrew the left-hand side of the front panel (two screws).
- B - Remove the part.

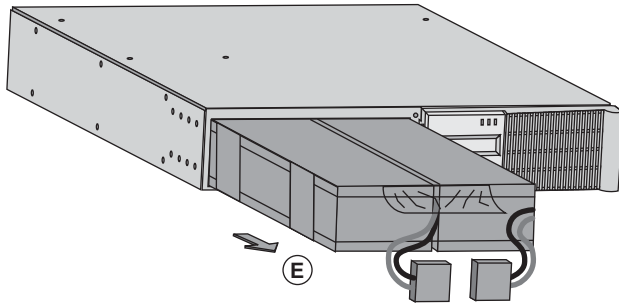


- C - Disconnect the battery block by separating the two connectors (never pull on the wires).

5. Maintenance



D - Remove the metal protection cover in front of the battery (two screws).



E - Pull the plastic tab to remove the battery block and replace it.

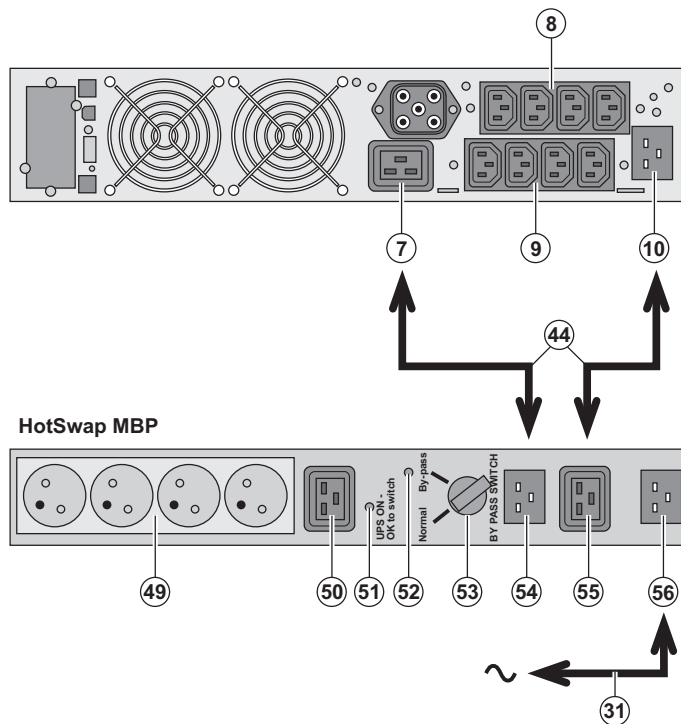
Mounting the new battery module

Carry out the above instructions in reverse order.



- ▶ To ensure safety and high performance, use only batteries supplied by EATON.
- ▶ Take care to firmly press together the two parts of the connector during remounting.

5.3 Maintenance on a UPS equipped with the HotSwap MBP module



The **HotSwap MBP** module makes it possible to service or even replace the UPS without affecting the connected loads (**HotSwap** function).

Maintenance:

- 1 - Set switch **(53)** to the Bypass position. The red LED on the **HotSwap MBP** module goes ON, indicating that the load is supplied directly with AC input power.
- 2 - Stop the UPS by pressing the ON/OFF button **(27)** on the UPS control panel. LED **(51)** "UPS ON - OK to switch" goes OFF, the UPS can now be disconnected and replaced.

Return to normal operation:

- 1 - Check that the UPS is correctly connected to the **HotSwap MBP** module.
- 2 - Start the UPS by pressing the ON/OFF button **(27)** on the UPS control panel. LED **(51)** "UPS ON - OK to switch" on the **HotSwap MBP** module goes ON (otherwise, there is a connection error between the **HotSwap MBP** module and the UPS).
- 3 - Set switch **(53)** to the Normal position. The red LED on the **HotSwap MBP** module goes OFF.

5.4 Training centre

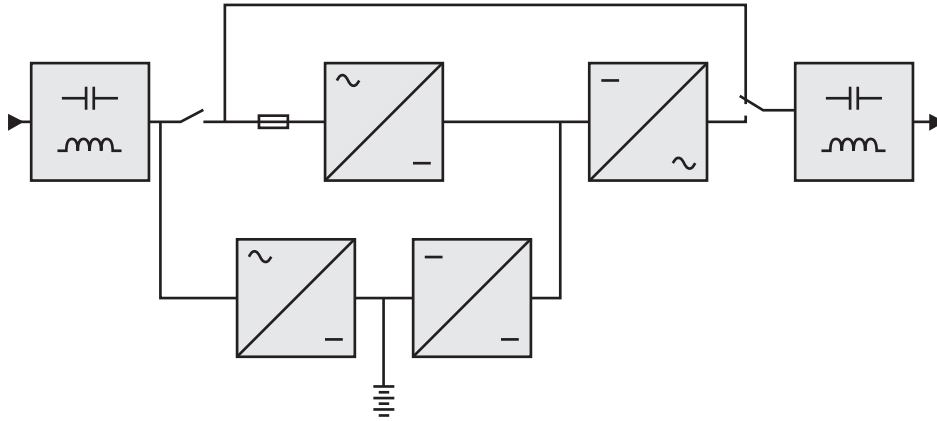


To fully master operation of your EATON product and carry out level 1 servicing, see our complete range of technical training courses, available in both French and English.

For further information, please visit our website: www.eaton.com

6. Appendices

6.1 Technical specifications



	EX 2200	EX 3000	EX 3000 XL	EX EXB
Output power	2200 VA ⁽¹⁾ / 1980 W	3000 VA ⁽²⁾ / 2700 W ⁽³⁾	3000 VA ⁽²⁾ / 2700 W ⁽³⁾	
Electrical supply network	Single phase 230 V 110 / 140 / 200 V to 284 V ⁽⁴⁾ 50/60 Hz (autoselection) > 0.95 < 2 mA			
Load output	Single phase 230 V ±3% ⁽⁵⁾ 50/60 Hz ±0,5% ⁽⁶⁾ < 4% for linear load, < 6% for nonlinear load 102% continuous, 105% 20s, > 130% 1.5s			
	9.6 A ⁽⁷⁾	13 A ⁽⁸⁾		
Battery	6 x 12V - 7 Ah, sealed lead acid, maintenance free	6 x 12V - 9 Ah, sealed lead acid, maintenance free	without internal battery	Two 6 x 12 V - 9 Ah strings, sealed lead acid, maintenance free
Environment	0°C to 40°C 20% to 90% (without condensation) -25°C to 40°C 1000 m			
	< 46 dBA		< 50 dBA	

(1) Depending on the output voltage selected: 200V / 208V / 220V / **230V** / 240V, the output power is 1980VA / 1980VA / 2200VA / **2200VA** / 2200VA.

(2) Depending on the output voltage selected: 200V / 208V / 220V / **230V** / 240V, the output power is 2700VA / 2700VA / 3000VA / **3000VA** / 3000VA.

(3) Standard output power is 2700 W, 2400 W with an **EXB** module.

(4) Values for 33% / 66% / 100% of UPS output.

(5) Programmable: 200V / 208V / 220V / **230V** / 240V using the **UPS Config** software.

(6) Frequency-converter mode is programmable using the **UPS Config** software.

(7) Depending on the output voltage selected: 200V / 208V / 220V / **230V** / 240V, the maximum output current is 9.9A / 9.5A / 10A / **9.6A** / 9.2A.

(8) Depending on the output voltage selected: 200V / 208V / 220V / **230V** / 240V, the output current is 13.5A / 13A / 13.6A / **13A** / 12.5A.

6.2 Glossary

Bypass AC input	Bypass line from the AC-power source, controlled by the UPS, used to directly supply the load if an overload or a malfunction occurs on the UPS.
Backup time	Time during which the load can be supplied by the UPS operating on battery power.
Battery test	Internal UPS test to check battery status.
Cold start	The devices connected to the UPS can be started even if AC input power is not available. The UPS operates on battery power alone.
Deep discharge	Battery discharge beyond the permissible limit, resulting in irreversible damage to the battery.
FlexPDU	Module with UPS outlets for installation in a bay. There are different modules with different types of outlets.
Frequency converter	Operating mode used to convert the AC-power frequency between the UPS input and output (50 Hz -> 60 Hz or 60 Hz -> 50 Hz).
HotSwap MBP	UPS manual-bypass module for maintenance. There are different modules with different types of outlets.
Load	Devices or equipment connected to the UPS output.
Low-battery warning	This is a battery-voltage level indicating that battery power is low and that the user must take action in light of the imminent break in the supply of power to the load.
Normal AC input	The AC-power line supplying the UPS under normal conditions.
Percent load	Ratio of the power effectively drawn by the load to the maximum output of the UPS.
Personalisation	It is possible to modify certain UPS parameters set in the factory. Certain UPS functions can also be modified by the Personal Solution-Pac software to better suit user needs.
Programmable outlets	These outlets can be automatically shut down during operation on battery power (shutdown time delays can be programmed with the Personal Solution Pac software). The UPS has two sets of two programmable outlets.
UPS	Uninterruptible Power System.
UPS ON/OFF controlled by software	This function enables or disables initiation of UPS ON/OFF control sequences by computer power management software.

EX

2200 RT 2U

2200 RT 3U

3000 RT 2U

3000 RT 3U

3000 RT 3U XL

EXB RT 3U

**Manuel d'installation et
d'utilisation**



Pulsar Series

EATON

Powering Business Worldwide

Nous vous remercions d'avoir choisi un produit EATON pour la sécurité de vos applications.

La gamme **EX** a été élaborée avec le plus grand soin.

Pour exploiter au mieux les performances de votre **ASI (Alimentation Sans Interruption)**, nous vous conseillons de prendre le temps de lire ce manuel.

Avant l'installation de **EX**, lire le livret qui présente les consignes de sécurité à respecter. Suivre ensuite les instructions du présent manuel.

Nous vous invitons à découvrir l'offre de EATON ainsi que les options de la gamme **EX** en visitant notre site **WEB** : www.eaton.com, ou en contactant votre représentant EATON.

Respect de l'environnement


La société EATON s'est engagée dans une politique de protection et de préservation de l'environnement. Nos produits sont développés selon une démarche d'éco-conception.


Substances

Ce produit ne contient ni de CFC, ni de HCFC, ni d'amiante.

Emballage

Pour améliorer le traitement des déchets et faciliter le recyclage, séparez les éléments de l'emballage.

- ▶ Le carton est composé de plus de 50% de carton recyclé.
- ▶ Les sacs et sachets sont en polyéthylène.
- ▶ Les matériaux constituant l'emballage sont recyclables et marqués du symbole d'identification .

Matériaux	Abbréviation	Numéro dans le symbole 
Polyéthylène Téréphthalate	PET	01
Polyéthylène Haute Densité	HDPE	02
Polyvinyle Chloride	PVC	03
Polyéthylène Basse Densité	LDPE	04
Polypropylène	PP	05
Polystyrène	PS	06

Suivre les réglementations locales en vigueur pour l'élimination de l'emballage.

Fin de vie

La société EATON s'est engagée à traiter les produits en fin de vie selon les réglementations locales.

EATON travaille avec des sociétés en charge de la collecte et de l'élimination de nos produits en fin de vie.

Produit

Le produit est composé de matériaux recyclables.

Son démantèlement et sa destruction doivent se faire en accord avec les réglementations locales en vigueur concernant les déchets.

Le produit en fin de vie doit être déposé dans un centre de traitement des déchets électriques et électroniques.

Batterie

Le produit contient des batteries au plomb qui doivent être traitées suivant les réglementations locales en vigueur concernant les batteries.

Pour suivre ces réglementations et éliminer la batterie de manière propre, il est possible de l'extraire du produit.

Introduction

Pictogrammes utilisés



Consignes à suivre impérativement.



Informations, conseils, aide.



Indication visuelle à observer.



Action à réaliser.



Signalisation sonore.

Les conventions adoptées pour représenter les voyants dans les illustrations sont les suivantes :



Voyant éteint.



Voyant allumé.



Voyant clignotant.

1. Présentation	
1.1 Positions standards	6
Position tour	6
Position rack	6
1.2 Facés arrières	7
EX 2200 / 3000	7
EX EXB (module batterie optionnel)	7
1.3 Panneau d'affichage et de commande	7
2. Installation	
2.1 Déballage et vérification du contenu	8
2.2 Installation en position tour	9
2.3 Installation en position rack	9
2.4 Ports de communication	10
Raccordement du port de communication RS232 ou USB (facultatif)	10
Installation des cartes de communication (option)	10
2.5 Raccordements avec un module FlexPDU (Power Distribution Unit)	11
2.6 Raccordements avec un module HotSwap MBP	11
Fonctionnement du module HotSwap MBP	12
2.7 Raccordements d'une ASI dépourvue de module FlexPDU ou HotSwap MBP	12
3. Utilisation	
3.1 Mise en service et fonctionnement normal	13
3.2 Fonctionnement sur batterie	13
3.3 Retour du réseau électrique	14
3.4 Arrêt de l'ASI	14
3.5 Utilisation des fonctions de commande à distance de l'ASI	14
4. Personnalisation et accès aux mesures	
4.1 Synoptique de l'afficheur	16
4.2 Accès aux mesures	16
4.3 Personnalisation par le panneau de commande	16
4.4 Personnalisation par logiciel externe	17
5. Maintenance	
5.1 Dépannage	18
Dépannage d'une ASI équipée d'un module HotSwap MBP	19
5.2 Remplacement du module batterie	19
Rappel sur les consignes de sécurité	19
Démontage du module batterie	19
Remontage du nouveau module batterie	20
5.3 Maintenance d'une ASI équipée d'un module HotSwap MBP	20
5.4 Centre de formation	21
6. Annexes	
6.1 Spécifications techniques	22
6.2 Glossaire	23

1. Présentation

1.1 Positions standards

Position tour

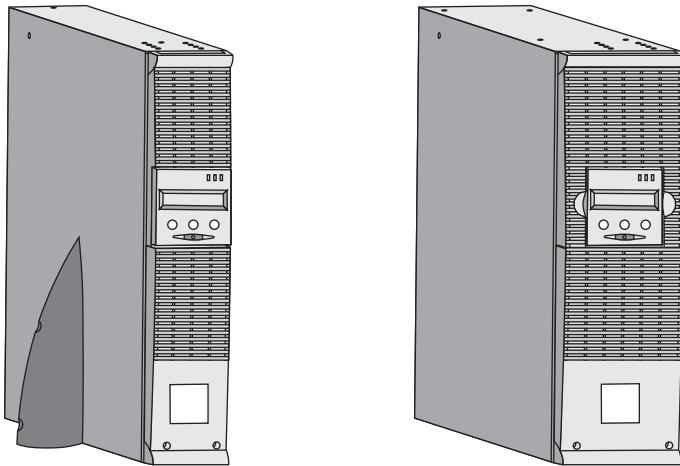
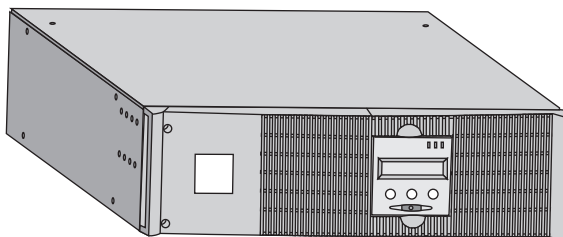
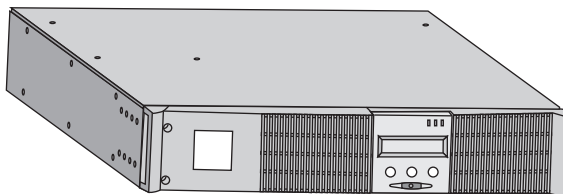


Tableau des dimensions (H x L x P) en mm	
EX 2200 RT 2U	440 x 86 x 640
EX 2200 RT 3U	440 x 131 x 490
EX 3000 RT 2U	440 x 86 x 640
EX 3000 RT 3U	440 x 131 x 490
EX 3000 RT 3U XL	440 x 131 x 490
EX EXB RT 3U	440 x 131 x 490

Tableau des masses en kg	
EX 2200 RT 2U	31
EX 2200 RT 3U	30
EX 3000 RT 2U	31
EX 3000 RT 3U	30
EX 3000 RT 3U XL	17
EX EXB RT 3U	42

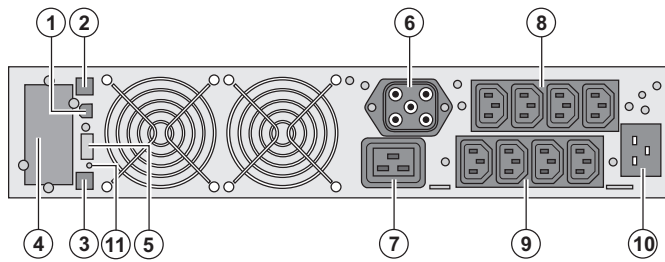
Position rack



1. Présentation

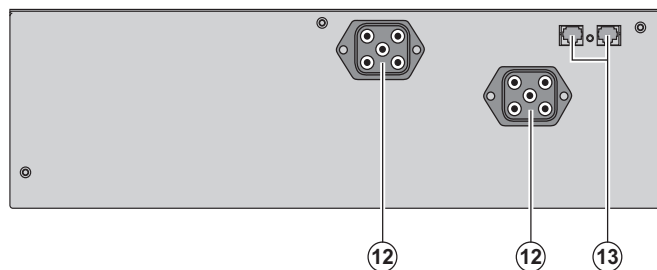
1.2 Faces arrières

EX 2200 / 3000 / 3000 XL



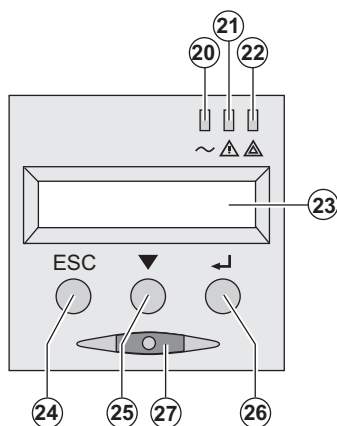
- (1) Port de communication USB
- (2) Port de communication RS232
- (3) Connecteur de reconnaissance automatique d'un module batterie supplémentaire
- (4) Emplacement pour carte de communication optionnelle.
- (5) Connecteur pour le raccordement d'une commande Marche/Arrêt distante et d'un arrêt d'urgence.
- (6) Connecteur pour le raccordement d'un module batterie supplémentaire
- (7) Prise 16A pour le raccordement des équipements
- (8) 2 groupes de 2 prises programmables pour le raccordement des équipements
- (9) Groupe de 4 prises pour le raccordement des équipements
- (10) Prise pour le raccordement au réseau électrique d'alimentation
- (11) Voyant de signalisation d'inversion phase/neutre du réseau électrique (SWF)

EX EXB (module batterie optionnel)



- (12) Connecteurs pour le raccordement des modules batterie (vers l'ASI ou vers les autres modules batterie)
- (13) Connecteurs de reconnaissance automatique des modules batterie

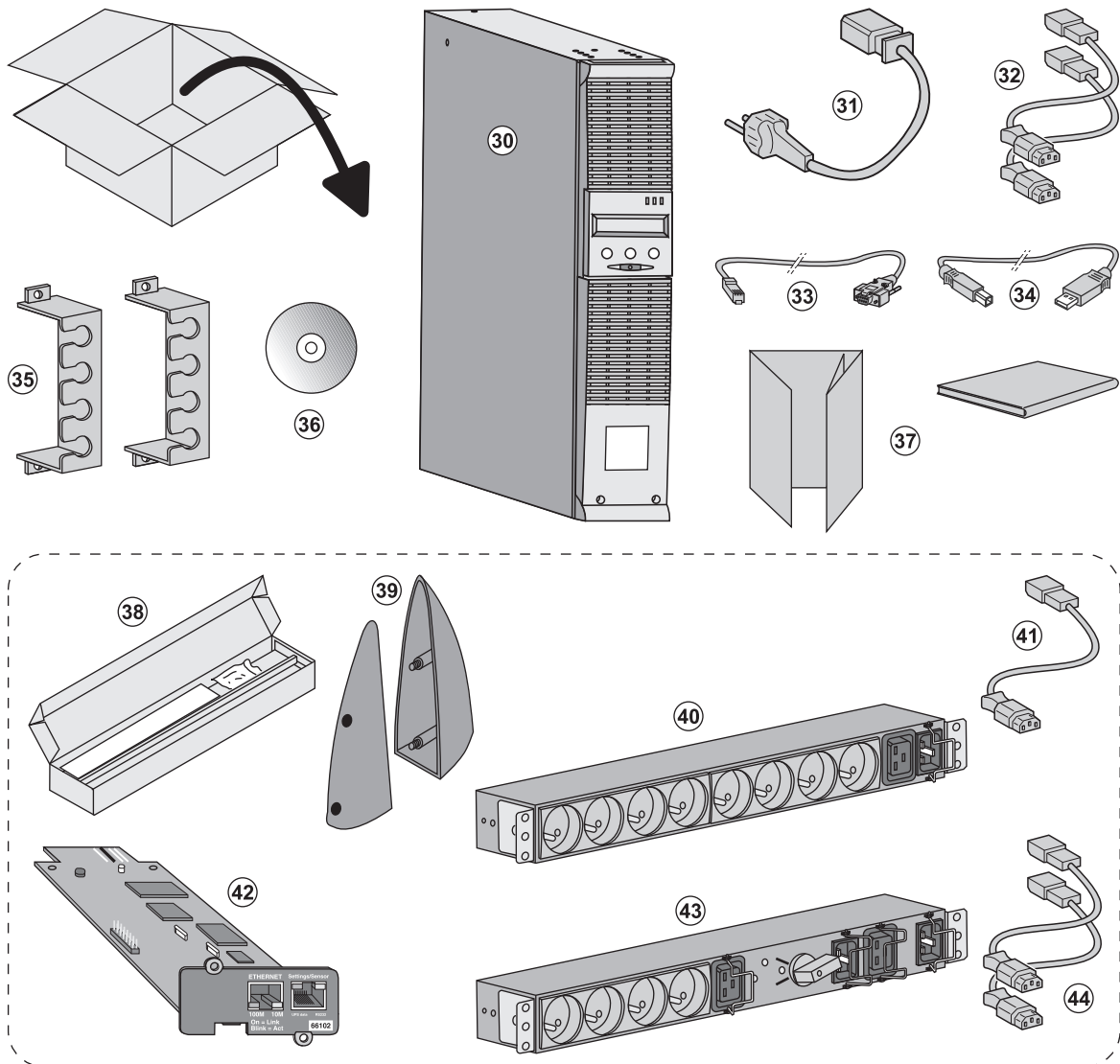
1.3 Panneau d'affichage et de commande



- (20) Voyant équipements protégés
- (21) Voyant de fonctionnement dégradé
- (22) Voyant équipements non protégés
- (23) Affichage alphanumérique
- (24) Bouton d'abandon, de retour
- (25) Bouton de défilement
- (26) Bouton de validation
- (27) Bouton de commande Marche/Arrêt (ON/OFF) de l'ASI et des prises de sortie

2. Installation

2.1 Déballage et vérification du contenu



(30) ASI EX 2200 / 3000 / 3000 XL.

(31) cordon de raccordement au réseau électrique.

(32) 2 cordons pour raccorder les équipements.

(33) Câble de communication RS232.

(34) Câble de communication USB.

(35) 2 systèmes de verrouillage des cordons d'alimentation des équipements.

(36) CD-ROM **Solution-Pac**.

(37) Documentation.

Eléments fournis selon la version ou en option :

(38) Kit de montage en armoire 19 pouces.

(39) 2 Pieds de maintien en position verticale (version 2U seulement).

(40) Module **FlexPDU** (option).

(41) Cordon de raccordement du module **FlexPDU** avec l'ASI.

(42) Carte de communication **NMC** (option).

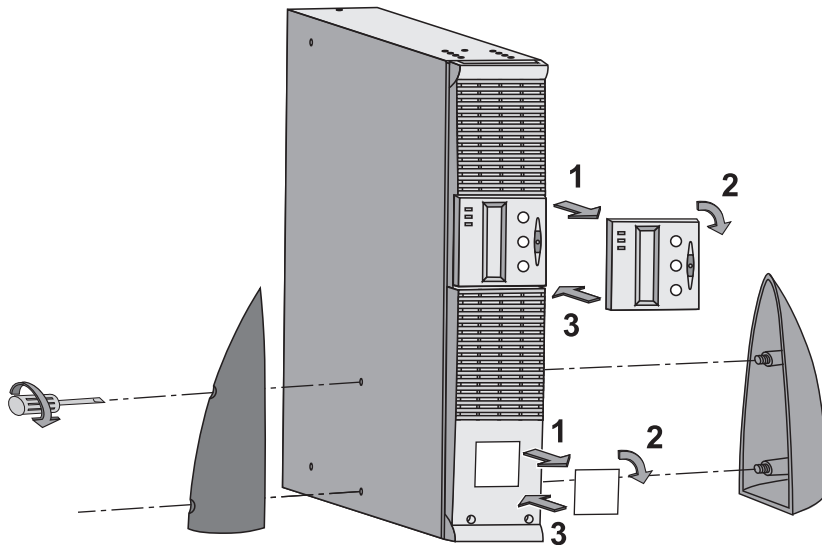
(43) Module **HotSwap MBP** (option).

(44) Cordons de raccordement du module **HotSwap MBP** avec l'ASI.



Les emballages doivent être éliminés conformément aux réglementations en vigueur concernant les déchets. Ils portent des symboles de recyclage pour faciliter le tri.

2.2 Installation en position tour

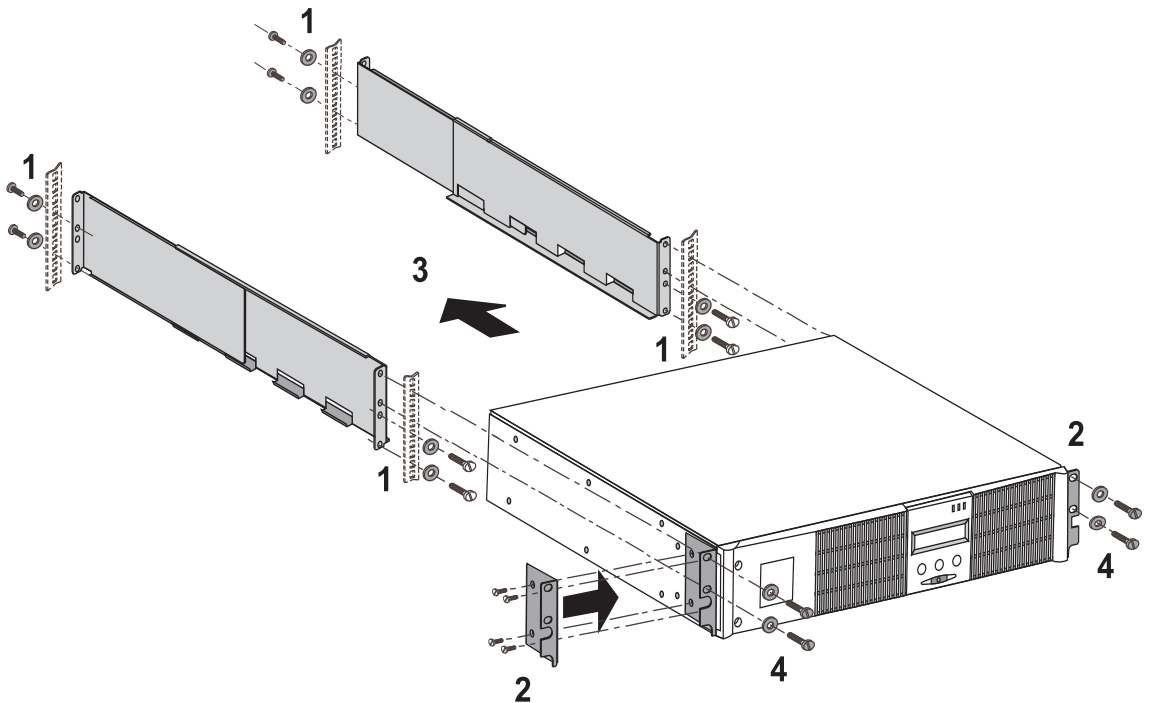


2.3 Installation en position rack

Il est recommandé de monter le module batterie en premier, puis de monter le module de puissance au-dessus.



Suivre les étapes 1 à 4 pour le montage du module sur ses rails.



Les rails et le nécessaire de montage sont fournis par EATON.

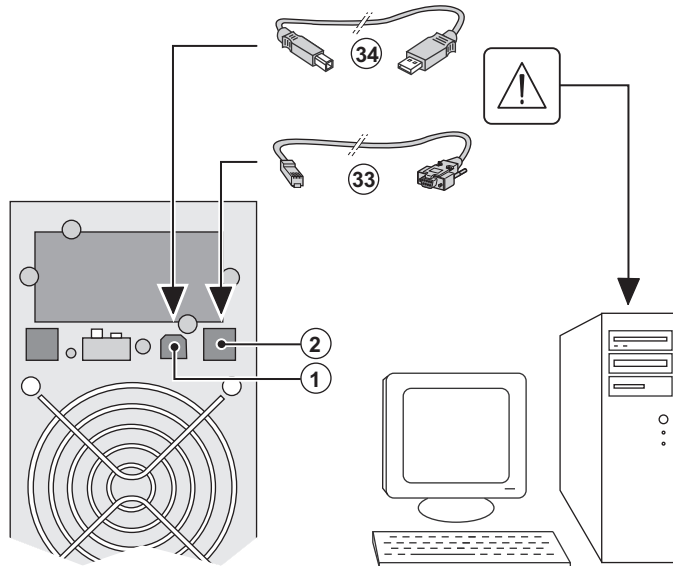
2. Installation

2.4 Ports de communication

Raccordement du port de communication RS232 ou USB (facultatif)



Le port de communication RS232 et le port de communication USB ne peuvent fonctionner simultanément.

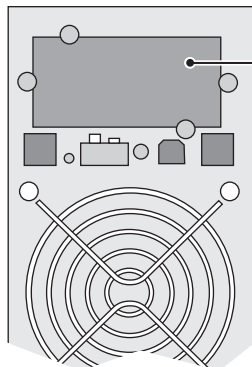


1 - Connecter le câble de communication RS 232 (33) ou USB (34) sur le port série ou USB de l'équipement informatique.

2 - Connecter l'autre extrémité du câble de communication (33) ou (34) sur le port de communication USB (1) ou RS232 (2) de l'ASI.

L'ASI peut désormais dialoguer avec un logiciel d'administration, de personnalisation ou de sécurité EATON.

Installation des cartes de communication (en option)



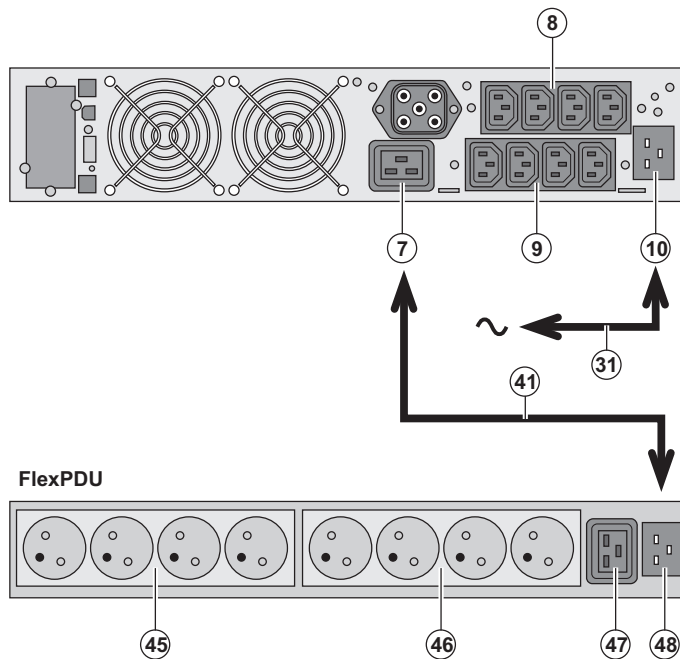
4 Emplacement, à accès restreint, de la carte de communication.

Il n'est pas nécessaire d'arrêter l'ASI pour installer la carte de communication :

- 1 - Oter le plastron (4) de l'ASI fixé par des vis.
- 2 - Insérer la carte de communication dans l'emplacement prévu.
- 3 - Fixer le plastron de la carte à l'aide des vis.

2. Installation

2.5 Raccordements avec un module FlexPDU (Power Distribution Unit) (Option)



1 - Relier la prise d'entrée (10) de l'ASI au réseau électrique à l'aide du cordon (31) fourni.

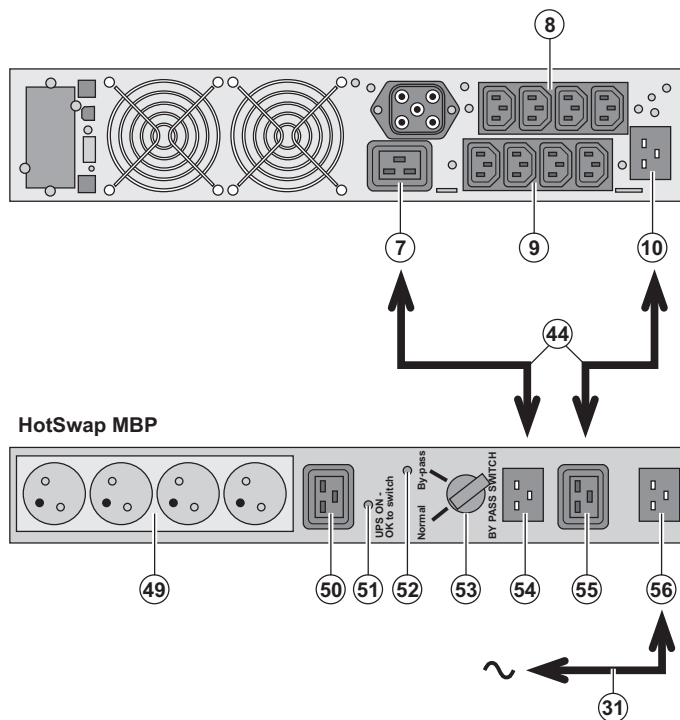
2 - Relier la prise d'entrée réseau électrique du module FlexPDU (48) à la prise de sortie (7) de l'ASI à l'aide du cordon (41) fourni. Ce câble et ces prises sont repérés en rouge.

3 - Connecter les équipements sur les prises (45), (46) et (47) du module FlexPDU. Ces prises sont de type différent selon la version du module FlexPDU.

4 - Verrouiller les câbles en position avec les brides métalliques des prises.

2.6 Raccordements avec un module HotSwap MBP (Option)

Le rôle du module HotSwap MBP est de permettre la maintenance et éventuellement le remplacement de l'ASI sans affecter l'alimentation électrique des équipements connectés (fonction HotSwap).



1 - Relier la prise d'entrée (56) du module HotSwap MBP au réseau électrique à l'aide du cordon (31) fourni.

2 - Relier la prise d'entrée réseau électrique de l'ASI (10) à la prise "UPS Input" (55) du module HotSwap MBP, à l'aide du cordon (44) fourni. Ces câbles et prises sont repérés en bleu.

3 - Relier la prise de sortie de l'ASI (7) à la prise "UPS Output" (54) du module HotSwap MBP, à l'aide du cordon (44) fourni. Ces câbles et prises sont repérés en rouge.

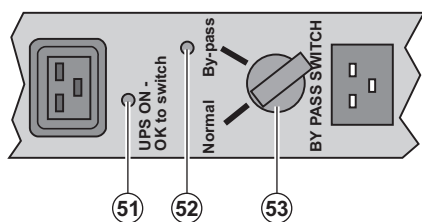
4 - Connecter les équipements sur les prises de sortie (49) et (50) du module HotSwap MBP. Ces prises sont de type différent selon la version du module HotSwap MBP.

Attention : ne pas utiliser les prises de sortie (8) et (9) de l'ASI pour alimenter les équipements, car dans ce cas la manoeuvre du commutateur (53) du module HotSwap MBP provoquera une coupure d'alimentation sur ces équipements. A cet effet nous conseillons de ne pas retirer le film protecteur des prises (8) et (9).



2. Installation

Fonctionnement du module HotSwap MBP



Le module **HotSwap MBP** utilise un commutateur rotatif (53) à 2 positions :

Normal : les équipements sont alimentés par l'ASI.

By-pass : les équipements sont alimentés par le réseau électrique.

Mise en service de l'ASI avec le module HotSwap MBP :

- 1 - Vérifier que l'ASI est raccordée correctement au module **HotSwap MBP**.
 - 2 - Placer le commutateur (53) en position Normal.
 - 3 - Mettre en marche l'ASI en appuyant sur le bouton Marche/Arrêt (27) sur la face avant de l'ASI.
- Les équipements sont alors alimentés par l'ASI.
Le voyant (51) "UPS ON - OK to switch" s'allume sur le module **HotSwap MBP**.

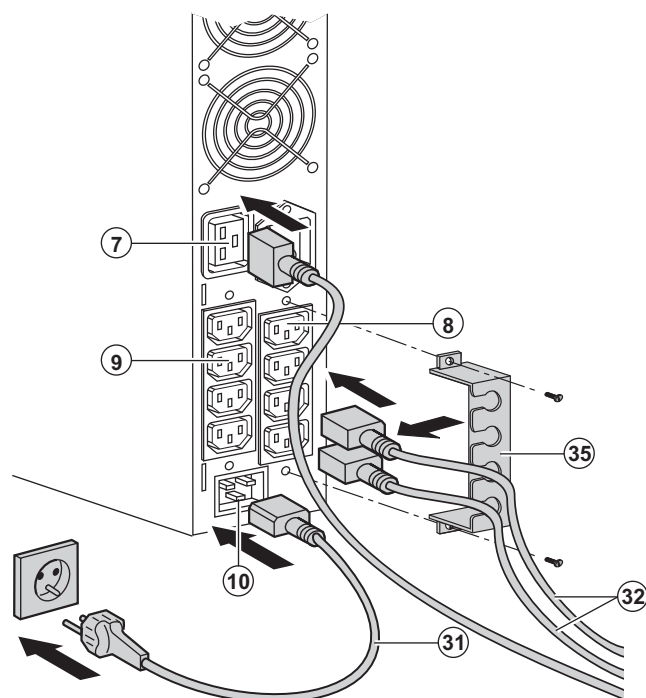
Test du module HotSwap MBP

- 1 - Placer le commutateur (53) en position By-pass et vérifier que les équipements sont alors toujours alimentés.
- 2 - Remettre le commutateur (53) en position Normal.

2.7 Raccordement d'une ASI dépourvue de module FlexPDU ou HotSwap MBP



Vérifier que les indications portées sur la plaque d'identification située à l'arrière de l'appareil correspondent au réseau électrique d'alimentation et à la consommation électrique réelle des équipements.



1 - Connecter le cordon d'alimentation (31) fourni (250V - 16A) sur la prise (10), puis sur la prise du réseau électrique d'alimentation.

2 - Raccorder les équipements à l'ASI à l'aide des cordons (32).

Connecter de préférence les équipements prioritaires sur les 4 prises (9) et les équipements non prioritaires sur les 4 prises (8) programmables par paire (1 et 2).

Connecter les équipements de plus forte puissance sur la prise (7) qui peut délivrer un courant de 16A.

Pour pouvoir programmer l'arrêt des prises (8) en cours d'autonomie batterie et optimiser ainsi la durée de cette autonomie, il est nécessaire d'avoir accès au logiciel de communication EATON.

3 - Verrouiller le raccordement en fixant le système de maintien des câbles (35).



Nota : l'appareil recharge sa batterie dès qu'il est raccordé au réseau électrique, même sans appuyer sur le bouton (27).

Après la première mise sous tension, il faudra au moins 8 heures pour que la batterie puisse fournir l'autonomie nominale.



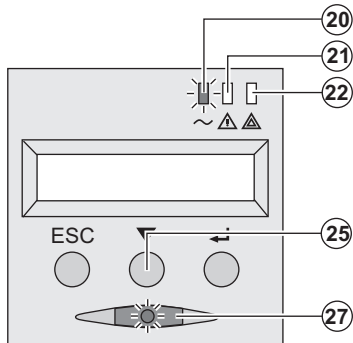
EX 3000 XL: il faut connecter au moins un module de batteries supplémentaire EXB à l'onduleur car ce dernier ne possède pas de batteries internes.

Voir le manuel d'installation des modules de batteries EXB (doc. n° 34008167) pour plus d'informations sur les connexions.

3.1 Mise en service et fonctionnement normal



Lors du premier démarrage, la présence du réseau électrique est indispensable pour détecter une éventuelle erreur de câblage. Par la suite, l'appareil pourra démarrer en absence du réseau électrique.



Appuyer sur le bouton (27) environ 1 seconde.

- ▶ Le buzzer émet un bip et tous les voyants s'allument simultanément.
- ▶ Le buzzer émet ensuite 2 bips pendant l'auto-test, puis le bouton (27) reste allumé, signalant l'alimentation des prises de sortie.

Les équipements connectés sont protégés par l'ASI.

- ▶ Le voyant (20) est allumé.
- Si le voyant (22) est allumé, un défaut est présent (voir chapitre "Anomalies").
- ▶ En mode de fonctionnement normal, le bouton de défilement (25) permet de lire les mesures effectuées sur l'ASI (tension des réseaux électriques AC Normal et AC By-pass, mode de fonctionnement, capacité de la batterie et numéro de série de l'ASI).



Personnalisation de l'ASI

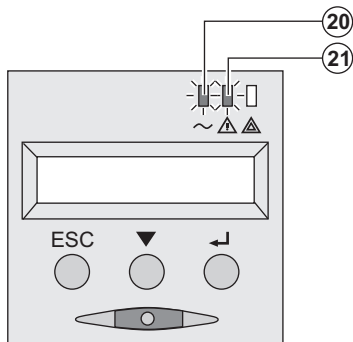


Si une personnalisation spécifique de l'ASI est envisagée, il est recommandé d'entrer dans le mode de personnalisation de l'ASI à cette étape.

Ce mode est accessible par les boutons du panneau de commande ou par le logiciel **Personal Solution-Pac** pour Windows inclu dans le CD-ROM **Solution-Pac** de EATON.

3.2 Fonctionnement sur batterie

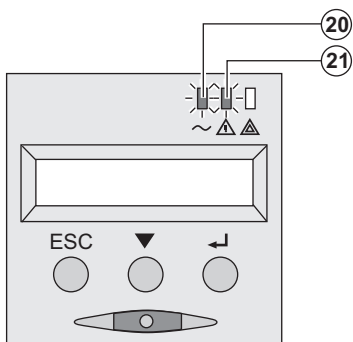
Passage sur batterie



- ▶ Les équipements connectés continuent à être alimentés par l'ASI quand le réseau électrique n'est plus disponible. L'énergie fournie provient de la batterie.
- ▶ Les voyants (20) et (21) sont allumés.
- ▶ L'alarme sonore émet un bip toutes les 10 secondes.

Les équipements connectés sont alimentés à partir de la batterie. L'afficheur indique l'autonomie batterie restante.

Seuil de préalarme de fin d'autonomie batterie



- ▶ Les voyants (20) et (21) sont allumés.
- ▶ L'alarme sonore émet un bip toutes les 3 secondes.

L'autonomie batterie restante est faible.

Fermer toutes les applications des équipements connectés car l'arrêt automatique de l'ASI est imminent.

3. Utilisation

Fin d'autonomie batterie



- ▶ Tous les voyants sont éteints.
- ▶ L'alarme sonore est silencieuse.

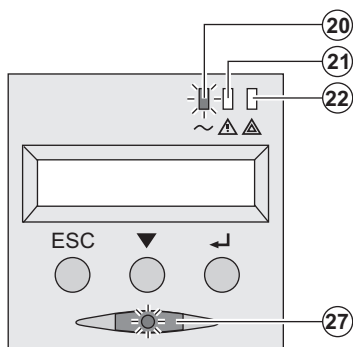


L'ASI est arrêtée complètement.

3.3 Retour du réseau électrique

Après la coupure, l'ASI redémarre automatiquement au retour du réseau électrique (à moins que cette fonction n'ait été désactivée via la personnalisation de l'ASI) et les équipements sont à nouveau alimentés.

3.4 Arrêt de l'ASI



Presser le bouton (27) plus de 2 secondes.

Les équipements connectés à l'ASI ne sont plus alimentés.

3.5 Utilisation des fonctions de commande à distance de l'ASI

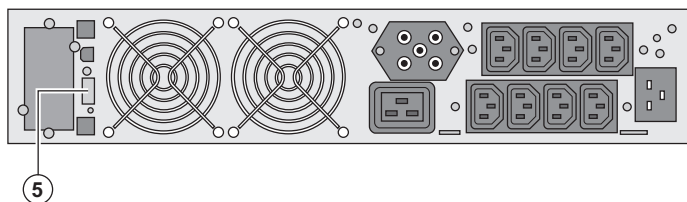
EX dispose au choix de deux dispositifs de commande à distance.

▶ **RPO** : c'est une fonction d'arrêt à distance de l'ASI (**Remote Power Off**) qui permet de mettre hors tension l'ensemble des équipements connectés à l'ASI par un contact utilisateur déporté.

Le redémarrage de l'ASI nécessite une intervention manuelle.

▶ **ROO** : c'est une fonction de marche/arrêt à distance de l'ASI (**Remote ON/OFF**) qui permet d'avoir l'action du bouton (27) déportée.

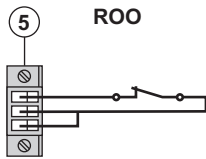
Ces fonctions sont obtenues par l'ouverture du contact que l'on raccorde entre les broches appropriées du connecteur (5) sur la face arrière de l'ASI (voir figures ci-après).



Raccordement et test des commandes à distance



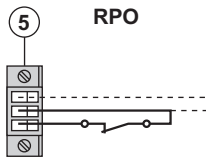
- 1 - Vérifier que l'ASI est en position arrêt et que le réseau électrique d'alimentation est déconnecté.
- 2 - Oter le connecteur (5) en dévissant les vis.
- 3 - Raccorder un contact sec isolé, de type normalement fermé (60 Vdc / 30 Vac max, 20 mA max, section de câble de 0,75 mm²) entre les deux broches du connecteur (5), voir figure.



Contact ouvert : arrêt de l'ASI

Contact fermé : mise en marche de l'ASI (ASI raccordée au réseau et réseau présent)

Nota : la commande Marche/Arrêt locale par le bouton (27) reste prioritaire par rapport à la commande à distance.



Contact ouvert : arrêt de l'ASI

Pour revenir en fonctionnement normal, désactiver le contact externe d'arrêt à distance et redémarrer l'ASI par le bouton (27).

4 - Embrocher le connecteur (5) à son emplacement sur la face arrière de l'ASI.

5 - Raccorder et redémarrer l'ASI selon les procédures décrites précédemment.

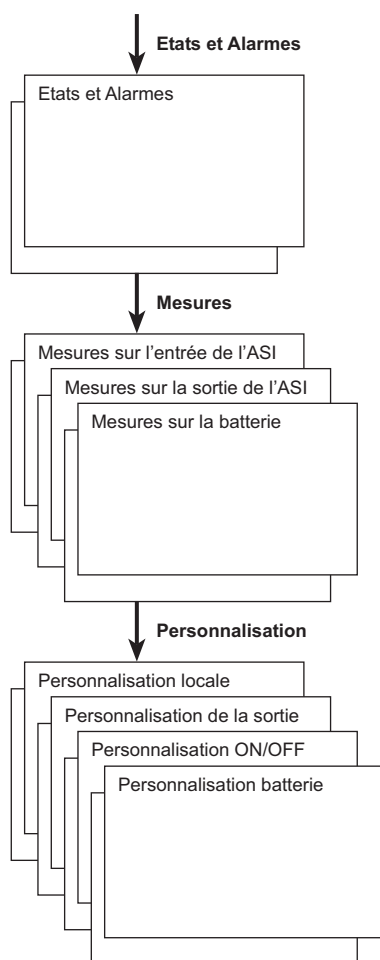
6 - Activer le contact externe d'arrêt à distance pour tester la fonction.



Attention : ce connecteur doit être exclusivement relié à des circuits de niveau TBTS (Très Basse Tension de Sécurité).

4. Accès aux mesures et personnalisation

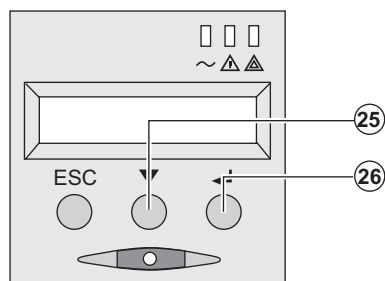
4.1 Synoptique de l'afficheur



4.2 Accès aux mesures

L'appui successif sur le bouton de défilement (25) permet d'accéder aux états et alarmes éventuelles, ainsi qu'aux mesures de tension, de courant, de fréquence, de puissance fournie, et d'autonomie batterie.

4.3 Personnalisation par le panneau de commande



- Presser successivement le bouton de défilement (25) pour accéder au menu de personnalisation.
- Le bouton de validation (26) permet d'accéder aux différents choix.
- Enfin, confirmer votre choix en pressant à nouveau le bouton de validation (26).

Personnalisation locale

Fonction	Personnalisation usine	Autres choix
Langage	Anglais	Français, Espagnol, Allemand, Italien, Néerlandais
Alarme sonore	Active	Inactive

4. Accès aux mesures et personnalisation

Personnalisation de la sortie

Fonction	Personnalisation usine	Autres choix	Commentaires
Tension de sortie ⁽¹⁾	230 Volts AC	200/208/220/240 Volts AC	
Convertisseur de fréquence ⁽¹⁾	Inactive	Active	Les équipements connectés ne sont jamais transférés sur By-pass
Fréquence de sortie ⁽¹⁾	Sélection automatique	50/60 Hz	Sélectionnable par l'utilisateur uniquement si la fonction convertisseur de fréquence est active
Transfert sur réseau électrique AC By-pass ⁽¹⁾	Si le réseau électrique AC By-pass est en tolérance	Si le réseau électrique AC By-pass est hors tolérance	
Niveau de surcharge ⁽¹⁾	102%	50 / 70%	Alarme en cas de dépassement de seuil

(1) Ces paramètres ne sont modifiables que si l'ASI est en position OFF.

Les commentaires détaillés sont disponibles dans le logiciel **Personal Solution-Pac**.

Personnalisation Marche/Arrêt (ON/OFF)

Fonction	Personnalisation usine	Autres choix	Commentaires
Démarrage sur batterie	Active	Inactive	
Redémarrage automatique	Active	Inactive	Redémarrage automatique de l'ASI au retour du réseau électrique
Economie d'énergie	Inactive	Active	Si fonction active : arrêt automatique de l'autonomie batterie sur niveau de puissance <5%
Détection d'inversion phase/neutre (SWF)	Inactive	Active	Si fonction active : l'ASI reste en position OFF si il y a détection d'inversion phase/neutre

Personnalisation batterie

Fonction	Personnalisation usine	Autres choix	Commentaires
Test de la batterie	Chaque semaine	Pas de test / journalier / mensuel	
Choix des autonomies batterie	Détection automatique du nombre de modules batterie	De 65 à 400 Ah	
Protection de la batterie contre les décharges profondes	Active	Inactive	Si fonction inactive : perte de la garantie EATON

4.4 Personnalisation par logiciel externe



- Insérer le CD ROM **Solution-Pac** dans votre lecteur.
 - Sur le premier écran du navigateur, sélectionner "Solution Point à Point" et suivre les instructions pour installer le logiciel **Personal Solution-Pac**.
 - Sélectionner ensuite "Configuration", puis "Configuration avancée" et "Paramètres onduleur".
- Noter que les versions Linux/Unix/macOS du logiciel **Personal Solution-Pac** n'incluent pas cette possibilité.

5. Maintenance

5.1 Dépannage



Si le voyant **(21)** ou **(22)** est allumé, il y a une anomalie de fonctionnement ou une alarme. Utiliser le bouton d'abandon **(24)** pour arrêter l'alarme sonore.

	Symptôme	Diagnostic	Remède
1	L'ASI ne démarre pas, l'afficheur alphanumérique indique : COLD START NOK CHECK AC WIRING	Le réseau électrique est absent ou raccordé à la sortie de l'ASI.	Vérifier que l'ASI est raccordée correctement au réseau électrique.
2	Le voyant (22) est allumé, et le voyant SWF (11) est allumé sur la face arrière de l'ASI. L'afficheur alphanumérique indique : INV PHASE/NEUTR CONTROLLER CONNEX	Inversion de phase du réseau d'alimentation. L'ASI reste à l'arrêt.	<ul style="list-style-type: none"> ► Pour les réseaux électriques de type neutre à la terre, pour corriger le câblage : débrancher et tourner la prise réseau de 180° (type DIN-SCHUKO), ou faire appel à un électricien pour modifier le raccordement. ► Pour tout autre type de réseau, désactiver la détection.
3	Le voyant (22) est allumé, l'afficheur alphanumérique indique : PAS DE BATTERIE CONTROLLER CONNEX	La batterie est mal raccordée.	Vérifier le raccordement de la batterie (voir §5.2, Remplacement du module batterie).
4	Le voyant (22) est allumé, l'afficheur alphanumérique indique : DEFAULT BATTERIE CONTACTER SAV	Un défaut a été constaté sur la batterie.	Procéder au remplacement de la batterie (voir §5.2, Remplacement du module batterie). Faire appel au service après vente.
5	Le voyant (21) est allumé, l'afficheur alphanumérique indique : ALARME SURCHARGE REDUIRE CHARGE	Le taux de charge dépasse le niveau de surcharge paramétré, ou dépasse la capacité de l'ASI.	Vérifier la puissance absorbée par les équipements raccordés et déconnecter les équipements non prioritaires. Vérifier le niveau de surcharge paramétré.
6	Le voyant (22) est allumé, l'afficheur alphanumérique indique : NON PROTEGE SURCHARGE SORTIE	L'ASI est en surcharge. Les équipements raccordés sont directement alimentés par le réseau électrique via le By-pass.	Vérifier la puissance absorbée par les équipements raccordés et déconnecter les équipements non prioritaires.
7	Le voyant (22) est allumé, l'afficheur alphanumérique indique : REDUIRE CHARGE REDEMARRER ASI	Suite à des surcharges répétitives, l'ASI est bloquée en position By-pass. Les équipements raccordés sont directement alimentés par le réseau électrique.	Vérifier la puissance absorbée par les équipements raccordés et déconnecter les équipements non prioritaires. Arrêter et redémarrer l'ASI pour revenir au fonctionnement normal.
8	Le voyant (22) est allumé, l'afficheur alphanumérique indique : DEFAULT SURCHARGE REDUIRE CHARGE	L'ASI s'est arrêtée automatiquement pour cause de surcharge importante.	Vérifier la puissance absorbée par les équipements raccordés et déconnecter les équipements non prioritaires.
9	Le voyant (22) est allumé, l'afficheur alphanumérique indique : COUR-CIRC CHARGE CONTROLLER CONNEX	L'ASI s'est arrêtée automatiquement pour cause de court-circuit en sortie de l'ASI.	Vérifier l'installation en sortie de l'ASI (câblage, équipement en défaut).
10	Le voyant (22) est allumé, l'afficheur alphanumérique indique : DEFAULT INTERNE CONTACTER SAV	L'ASI présente un défaut interne. Deux cas possibles : <ul style="list-style-type: none"> ► les équipements raccordés sont toujours alimentés, mais directement par le réseau électrique via le By-pass, ► les équipements raccordés ne sont plus alimentés. 	Faire appel au service après vente.
11	L'afficheur alphanumérique indique : ARRET A DISTANCE RPO	L'action du contact «Arrêt d'urgence» (RPO) a provoqué l'arrêt de l'ASI.	Remettre le contact en position normale, et appuyer sur le bouton ON/OFF pour redémarrer.

Dépannage d'une ASI équipée d'un module HotSwap MBP



	Symptôme	Diagnostic	Remède
12	Les équipements raccordés ne sont pas alimentés lorsque le commutateur rotatif (49) du module HotSwap MBP est en position By-pass.	<ul style="list-style-type: none"> ▶ Les équipements sont raccordés en sortie de l'ASI au lieu d'être raccordés sur le module HotSwap MBP. ▶ Le cordon du réseau électrique d'alimentation est raccordé en entrée de l'ASI au lieu d'être raccordé sur le module HotSwap MBP. 	Vérifier le câblage entre l'ASI et le module HotSwap MBP (voir §2.6).
13	Les équipements raccordés ne sont pas alimentés lorsque le commutateur rotatif (49) du module HotSwap MBP est en position Normal.	<ul style="list-style-type: none"> ▶ L'ASI est à l'arrêt. ▶ Le câblage n'est pas conforme entre l'ASI et le module HotSwap MBP. 	<ul style="list-style-type: none"> ▶ Démarrer l'ASI. ▶ Vérifier le câblage entre l'ASI et le module HotSwap MBP (voir §2.6).
14	Les équipements raccordés ne sont pas alimentés en cas de coupure du réseau électrique.	<ul style="list-style-type: none"> ▶ Le commutateur rotatif (49) du module HotSwap MBP est en position By-pass. ▶ Le câblage n'est pas conforme entre l'ASI et le module HotSwap MBP. 	<ul style="list-style-type: none"> ▶ Mettre le commutateur rotatif (49) du module HotSwap MBP en position Normal. ▶ Vérifier le câblage entre l'ASI et le module HotSwap MBP (voir §2.6).

En cas de défaut entraînant l'arrêt de l'ASI, appuyer sur le bouton Marche/Arrêt (27) pour acquiescer le défaut.

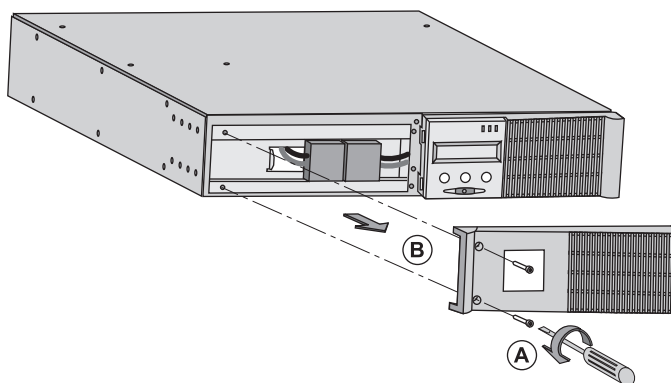
5.2 Remplacement du module batterie

Rappel sur les consignes de sécurité :

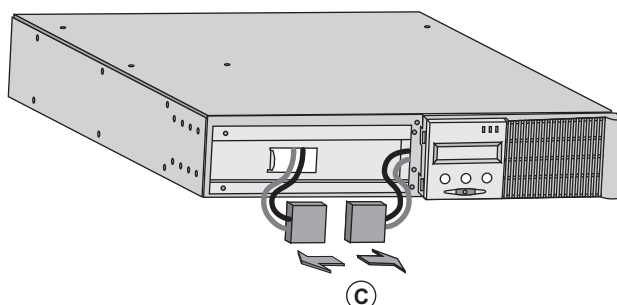
La batterie présente un risque d'électrocution et un courant de court-circuit élevé. Les précautions suivantes doivent être prises pour toute intervention sur les éléments batterie :

- ▶ Oter des mains montres, bagues, alliances, bracelets ou tout autre objet métallique,
- ▶ Utiliser des outils dont le manche est isolé.

Démontage du module batterie

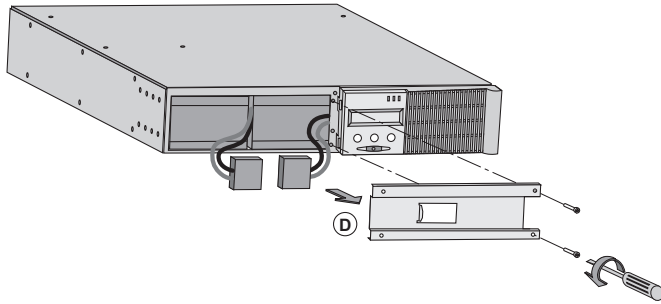


- A - Dévisser la partie gauche de la face avant fixée par 2 vis.
- B - Retirer cette partie.

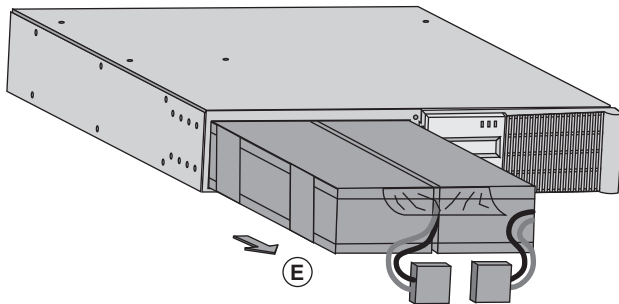


- C - Débrancher le bloc batterie en séparant les 2 connecteurs (ne jamais tirer sur les câbles).

5. Maintenance



D - Enlever le capot métallique de protection batterie fixé par 2 vis.



E - Extraire le bloc batterie en tirant sur la languette plastique et procéder à son remplacement.

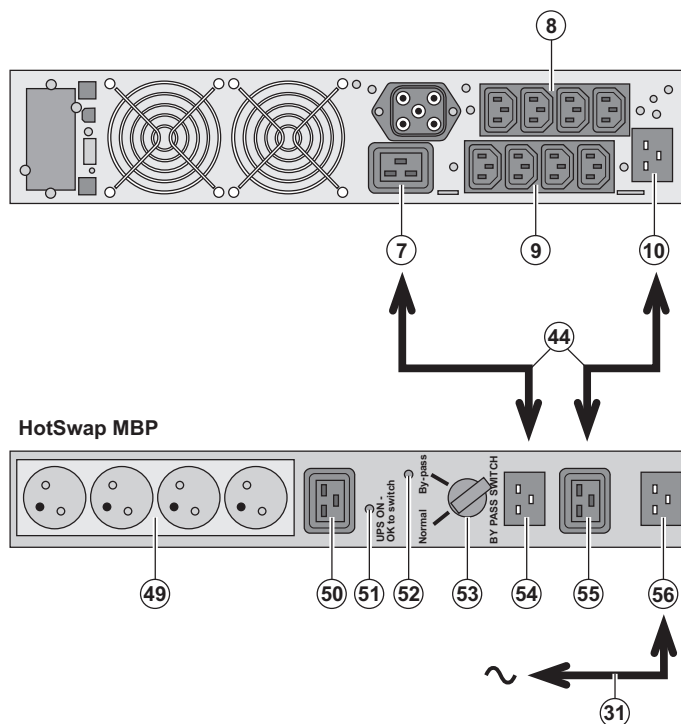
Remontage du nouveau module batterie

Réaliser les opérations décrites ci-dessus en sens inverse.



- Pour préserver la sécurité et le même niveau de performance, utiliser des éléments batterie fournis par EATON.
- Veillez à bien enfoncer les parties mâles et femelles du connecteur lors du raccordement.

5.3 Maintenance d'une ASI équipée d'un module HotSwap MBP



Le rôle du module **HotSwap MBP** est de permettre la maintenance et éventuellement le remplacement de l'ASI sans affecter l'alimentation électrique des équipements connectés (fonction **HotSwap**).

Maintenance :

- 1 - Placer le commutateur (53) en position By-pass : le voyant rouge du module **HotSwap MBP** s'allume pour indiquer que les équipements sont alimentés directement par le réseau électrique.
- 2 - Arrêter l'ASI en appuyant sur le bouton Marche/Arrêt (27) sur la face avant de l'ASI : le voyant (51) "UPS ON - OK to switch" s'éteint, l'ASI peut alors être déconnectée et remplacée.

Retour en fonctionnement normal :

- 1 - Vérifier que l'ASI est raccordée correctement au module **HotSwap MBP**.
- 2 - Mettre en marche l'ASI en appuyant sur le bouton Marche/Arrêt (27) sur la face avant de l'ASI : le voyant (51) "UPS ON - OK to switch" s'allume sur le module **HotSwap MBP** (sinon il y a erreur de raccordement du module **HotSwap MBP** avec l'ASI).
- 3 - Mettre le commutateur (53) en position Normal : le voyant rouge du module **HotSwap MBP** s'éteint.

5.4 Centre de formation

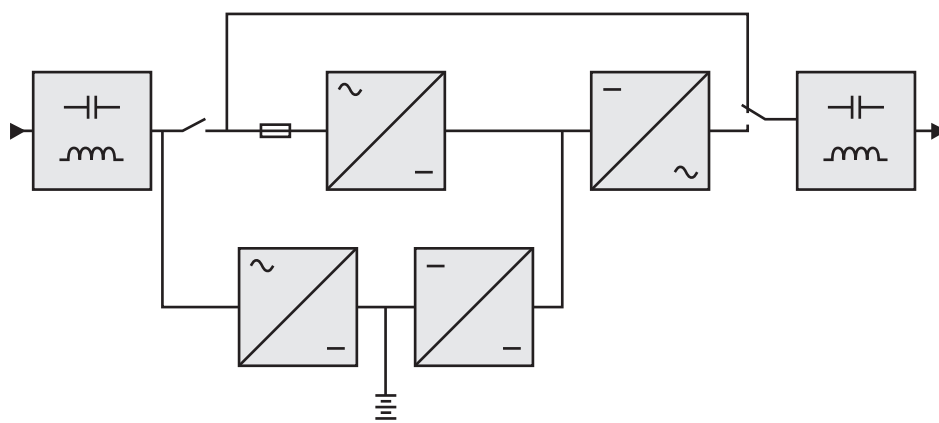


Pour maîtriser l'exploitation de votre appareil EATON et intervenir au premier niveau, nous mettons à votre disposition un programme complet de formations techniques en langues anglaise et française.

Pour plus d'informations, consulter notre site internet : www.eaton.com

6. Annexes

6.1 Spécifications techniques



	EX 2200	EX 3000	EX 3000 XL	EX EXB
Puissance de sortie	2200 VA ⁽¹⁾ / 1980 W	3000 VA ⁽²⁾ / 2700 W ⁽³⁾	3000 VA ⁽²⁾ / 2700 W ⁽³⁾	
Réseau électrique d'alimentation	<ul style="list-style-type: none"> ▸ Tension d'entrée nominale ▸ Plage de tension d'entrée ▸ Fréquence ▸ Facteur de puissance ▸ Courant de fuite 			
	Monophasée 230 V 110 / 140 / 200 V à 284 V ⁽⁴⁾ 50/60 Hz (auto-sélection) > 0,95 < 2 mA			
Sortie utilisation	<ul style="list-style-type: none"> ▸ Tension ▸ Fréquence ▸ Distorsion harmonique ▸ Capacité de surcharge ▸ Courant 			
	Monophasée 230 V ±3% ⁽⁵⁾ 50/60 Hz ±0,5% ⁽⁶⁾ < 4% sur charge linéaire, < 6% sur charge non linéaire 102% permanent, 105% 20s, > 130% 1,5s			
	9,6 A ⁽⁷⁾	13 A ⁽⁸⁾		
Batterie	6 x 12V - 7 Ah, au plomb, étanche, sans entretien	6 x 12V - 9 Ah, au plomb, étanche, sans entretien	sans batterie interne	2 chaînes de 6 x 12V - 9 Ah, au plomb, étanche, sans entretien
Environnement	<ul style="list-style-type: none"> ▸ Température de fonctionnement ▸ Humidité ▸ Température de stockage ▸ Altitude ▸ Niveau de bruit 			
	0°C à 40°C 20% à 90% (sans condensation) -25°C à 40°C 1000 m			
	< 46 dBA		< 50 dBA	

(1) Selon la tension de sortie sélectionnée parmi 200 V / 208 V / 220 V / **230 V** / 240 V, la puissance de sortie est de 1980 VA / 1980 VA / 2200 VA / **2200 VA** / 2200 VA.

(2) Selon la tension de sortie sélectionnée parmi 200 V / 208 V / 220 V / **230 V** / 240 V, la puissance de sortie est de 2700 VA / 2700 VA / 3000 VA / **3000 VA** / 3000 VA.

(3) Puissance de sortie de 2700 W en standard et de 2400 W avec un module **EXB**.

(4) Valeurs données à 33% / 66% / 100% de la puissance de l'ASI.

(5) Ajustable parmi 200 V / 208 V / 220 V / **230 V** / 240 V par le logiciel **UPS Config**.

(6) Mode convertisseur de fréquence programmable par le logiciel **UPS Config**.

(7) Selon la tension de sortie sélectionnée parmi 200 V / 208 V / 220 V / **230 V** / 240 V, le courant maximal de sortie est de 9,9 A / 9,5 A / 10 A / **9,6 A** / 9,2 A.

(8) Selon la tension de sortie sélectionnée parmi 200 V / 208 V / 220 V / **230 V** / 240 V, la puissance de sortie est de 13,5 A / 13 A / 13,6 A / **13 A** / 12,5 A.

6.2 Glossaire

AC By-pass	Voie dérivée du réseau électrique d'alimentation, commandée par l'ASI et permettant une alimentation directe des équipements par le réseau électrique en cas de surcharge ou de dysfonctionnement de l'onduleur.
AC Normal	Il s'agit du réseau électrique d'alimentation normal de l'ASI.
ASI	Alimentation Sans Interruption.
Autonomie	Temps pendant lequel les équipements sont alimentés par l'ASI fonctionnant sur batterie.
Convertisseur de fréquence	Fonction permettant de convertir la fréquence du réseau électrique entre l'entrée et la sortie de l'ASI (50 Hz -> 60 Hz ou 60 Hz -> 50 Hz).
Décharge profonde	Décharge de la batterie au delà de la limite permise occasionnant des dommages irréversibles sur la batterie.
Démarrage sur batterie	Permet la mise sous tension des équipements connectés à l'ASI en absence du réseau électrique d'alimentation. L'ASI fonctionne alors sur batterie uniquement.
Equipements	Appareils ou dispositifs raccordés en sortie de l'ASI.
FlexPDU	Module de prises de sortie ASI pour installation dans une baie. Il existe différents types de modules correspondant à différents type de prises.
HotSwap MBP	Module de dérivation manuelle de l'ASI en vue d'une maintenance. Il existe différents types de modules correspondant à différents type de prises.
Marche/Arrêt onduleur par logiciel	Permet d'autoriser ou d'interdire au logiciel de protection des systèmes informatiques le déclenchement de séquences Marche/Arrêt de l'ASI.
Personnalisation	Programmation de certains paramètres différente de la configuration standard de sortie usine. Certaines fonctions de l'ASI peuvent être modifiées par le logiciel Personal Solution-Pac afin de mieux satisfaire vos besoins.
Prises programmables	Prises pouvant être délestées automatiquement pendant l'autonomie batterie (temporisation d'ouverture programmable par le logiciel Personal Solution Pac). L'ASI comporte deux groupes de deux prises programmables.
Seuil de préalarme de fin d'autonomie batterie	Il s'agit d'un seuil du niveau de tension batterie permettant de détecter la fin prochaine de l'autonomie batterie et prendre alors les disposition imposées par la coupure prochaine de tension sur les équipements.
Taux de charge	Rapport de la puissance consommée par les équipements connectés à l'ASI sur la puissance maximale que peut fournir l'ASI.
Test de la batterie	Test interne à l'ASI permettant de vérifier l'état de la batterie.

EX

2200 RT 2U

2200 RT 3U

3000 RT 2U

3000 RT 3U

3000 RT 3U XL

EXB RT 3U

**Installations- und
Bedienungsanleitung**



Pulsar Series

EATON

Powering Business Worldwide

Wir danken Ihnen, dass Sie sich für ein Produkt von EATON zum Schutz Ihrer Anwendungen entschieden haben.

Die Baureihe **EX** wurde mit größter Sorgfalt entwickelt.

Um die Leistungen Ihrer **USV (Unterbrechungsfreien Stromversorgung)** optimal nutzen zu können, empfehlen wir Ihnen, sich ein wenig Zeit zu nehmen und die vorliegende Anleitung aufmerksam zu lesen.

Vor der Installation von **EX** sollten Sie sich mit den geltenden Sicherheitsvorschriften vertraut machen und anschließend die Hinweise der vorliegenden Anleitung befolgen.

Entdecken Sie das umfassende Angebot von EATON sowie weitere Optionen zur Baureihe **EX** auf unserer WEB-Site www.eaton.com bzw. www.eaton.com, oder wenden Sie sich persönlich an den Vertreter von EATON in Ihrer Nähe.

Umweltfreundlichkeit


Für EATON sind der Schutz und die Erhaltung der Umwelt wichtige Unternehmensziele. Alle unsere Produkte werden im Hinblick auf ihre Umweltverträglichkeit entwickelt.


Schadstoffe

Dieses Produkt enthält weder FKW- oder FCKW-Verbindungen noch Asbest.

Verpackung

Zur umweltgerechten Entsorgung und Wiederaufbereitung sollten die Verpackungsmaterialien nach einzelnen Stoffarten sortiert werden.

- ▶ Die verwendeten Kartonnagen bestehen zu 50% aus Recyclingpappe.
- ▶ Sämtliche Beutel bestehen aus Polyethylen.
- ▶ Alle verwendeten Materialien sind wiederverwertbar und mit dem Symbol  gekennzeichnet.

Material	Kurzbezeichnung	Kennziffer im Symbol 
Polyethylenterephthalat	PET	01
Polyethylen hoher Dichte	HDPE	02
Polyvinylchlorid	PVC	03
Polyethylen niedriger Dichte	LDPE	04
Polypropylen	PP	05
Polystyrol	PS	06

Verpackungsmaterial muss gemäß den gesetzlichen Bestimmungen entsorgt werden.

Recycling der USV nach Ablauf der Lebensdauer

EATON verpflichtet sich, sämtliche nach Ablauf der Lebensdauer rückgeführten Komponenten einer Wiederverwertung gemäß den gesetzlichen Bestimmungen zuzuführen (wenden Sie sich bitte an ihre örtliche EATON-Vertretung).

Zu diesem Zweck arbeitet EATON mit zugelassenen Entsorgungsunternehmen zusammen.

Produkt

Das Produkt besteht aus wiederverwertbaren Materialien

Ihre Entsorgung muss gemäß den geltenden gesetzlichen Bestimmungen erfolgen.

Nach Ablauf der Lebensdauer muss das Produkt in einer zugelassenen Annahmestelle für Elektronikschrott entsorgt werden.

Batterie

Das Produkt enthält Bleibatterien, die gemäß den geltenden gesetzlichen Bestimmungen entsorgt werden müssen. Zur Einhaltung dieser Vorschriften und ordnungsgemäßen Entsorgung der Batterien können diese aus der Anlage ausgebaut werden.

Allgemeines

Bedeutung der Piktogramme



Unbedingt zu befolgende Hinweise.



Informationen, Ratschläge, Hilfen.



Optische Anzeige.



Maßnahmen, Handlungen.



Akustischer Alarm.

In den Abbildungen der nachfolgenden Seiten sind die LED-Anzeigen mit folgenden Symbolen dargestellt:



LED AUS



LED AN



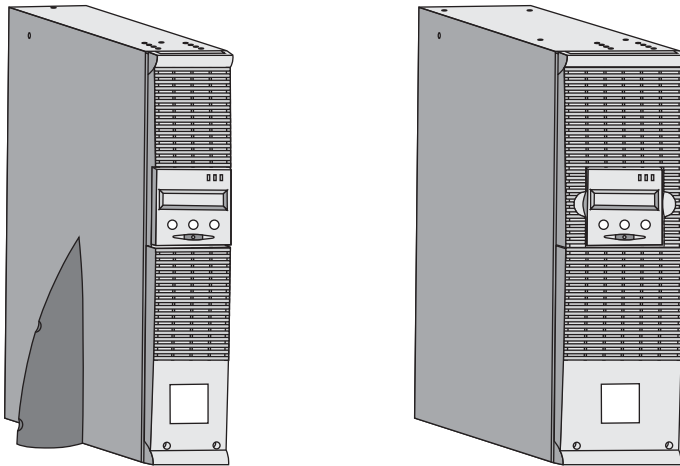
LED blinkt

1. Ansichten und Beschreibung	
1.1 Aufstellvarianten	6
Tower-Modell	6
Rack-Modell	6
1.2 Rückansicht	7
EX 2200 / 3000	7
EX EXB (Batterie-Erweiterungsmodul)	7
1.3 Bedien- und Anzeigefeld	7
2. Aufstellung und Installation	
2.1 Entfernen der Verpackung und Überprüfung des Lieferumfangs	8
2.2 Aufstellung des Tower-Modells	9
2.3 Einbau des Rack-Modells	9
2.4 Kommunikationsschnittstellen	10
Anschluss der RS232- bzw. der USB-Schnittstelle (wahlweise)	10
Einbau der optionalen Kommunikationskarten	10
2.5 USV-Anschluss mit optionalem FlexPDU-Installationsverteiler (Power Distribution Unit)	11
2.6 USV-Anschluss mit optionalem HotSwap MBP-Modul	11
Funktionsweise des HotSwap MBP-Moduls	12
2.7 USV-Anschluss ohne FlexPDU- oder HotSwap MBP-Modul	12
3. Betriebszustände	
3.1 Inbetriebnahme und Normalbetrieb	13
3.2 Batteriebetrieb	13
3.3 Rückkehr der Netzspannung	14
3.4 Abschaltung der USV	14
3.5 Verwendung der Fernbetätigungsfunktionen der USV	14
4. Kundenspezifische Anpassung und Abfrage der Messwerte	
4.1 Darstellungsmöglichkeiten des Displays	16
4.2 Abfrage der Messwerte	16
4.3 Kundenspezifische Anpassung über Bedienfeld	16
4.4 Kundenspezifische Anpassung über externe Software	17
5. Wartung und Service	
5.1 Fehlerbehebung	18
Betriebsstörungen bei einer USV mit HotSwap MBP-Modul	19
5.2 Austausch des Batteriemoduls	19
Sicherheitshinweise	19
Ausbau des Batteriemoduls	19
Einbau des neuen Batteriemoduls	20
5.3 Wartung einer USV mit HotSwap MBP-Modul	20
5.4 Trainingscenter	21
6. Anhang	
6.1 Technische Daten	22
6.2 Fachbegriffe	23

1. Ansichten und Beschreibung

1.1 Aufstellvarianten

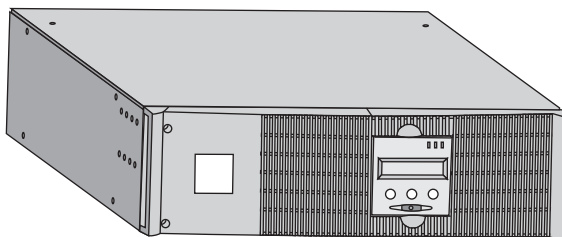
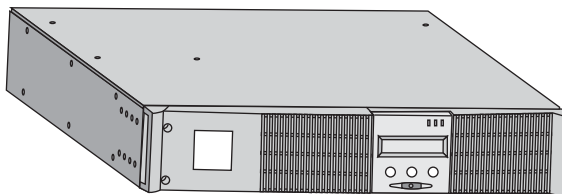
Tower-Modell



Abmessungen (H x B x T) in mm	
EX 2200 RT 2U	440 x 86 x 640
EX 2200 RT 3U	440 x 131 x 490
EX 3000 RT 2U	440 x 86 x 640
EX 3000 RT 3U	440 x 131 x 490
EX 3000 RT 3U XL	440 x 131 x 490
EX EXB RT 3U	440 x 131 x 490

Gewicht in kg	
EX 2200 RT 2U	31
EX 2200 RT 3U	30
EX 3000 RT 2U	31
EX 3000 RT 3U	30
EX 3000 RT 3U XL	17
EX EXB RT 3U	42

Rack-Modell



1. Ansichten und Beschreibung

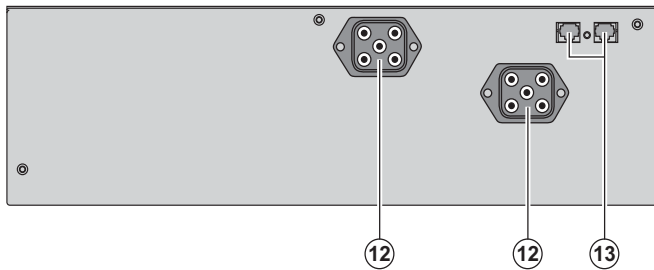
1.2 Rückansicht

EX 2200 / 3000 / 3000 XL



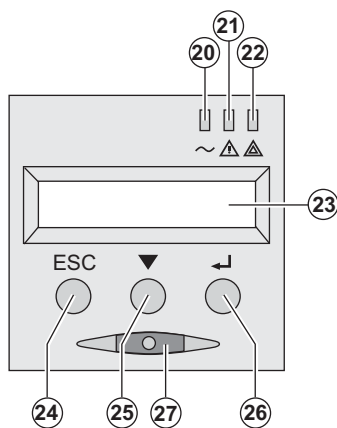
- (1) USB-Schnittstelle
- (2) RS232-Schnittstelle
- (3) Stecker zur automatischen Erkennung eines externen Batteriemoduls
- (4) Steckplatz für optionale Kommunikationskarte.
- (5) Steckverbinder für EIN/AUS-Fernbetätigung und NOT-AUS.
- (6) Steckverbinder zum Anschluss eines externen Batteriemoduls
- (7) 16A-Ausgangssteckdose
- (8) 2 Gruppen mit je 2 programmierbaren Ausgangssteckdosen
- (9) Gruppe mit 4 normalen Ausgangssteckdosen
- (10) Netzanschluss
- (11) LED-Anzeige für Überprüfung des korrekten Netzanschlusses Phase/N-Leiter (SWF)

EX EXB (Batterie-Erweiterungsmodul)



- (12) Steckverbinder zum Anschluss an USV oder weitere Batteriemodule
- (13) Stecker zur automatischen Erkennung des externen Batteriemoduls

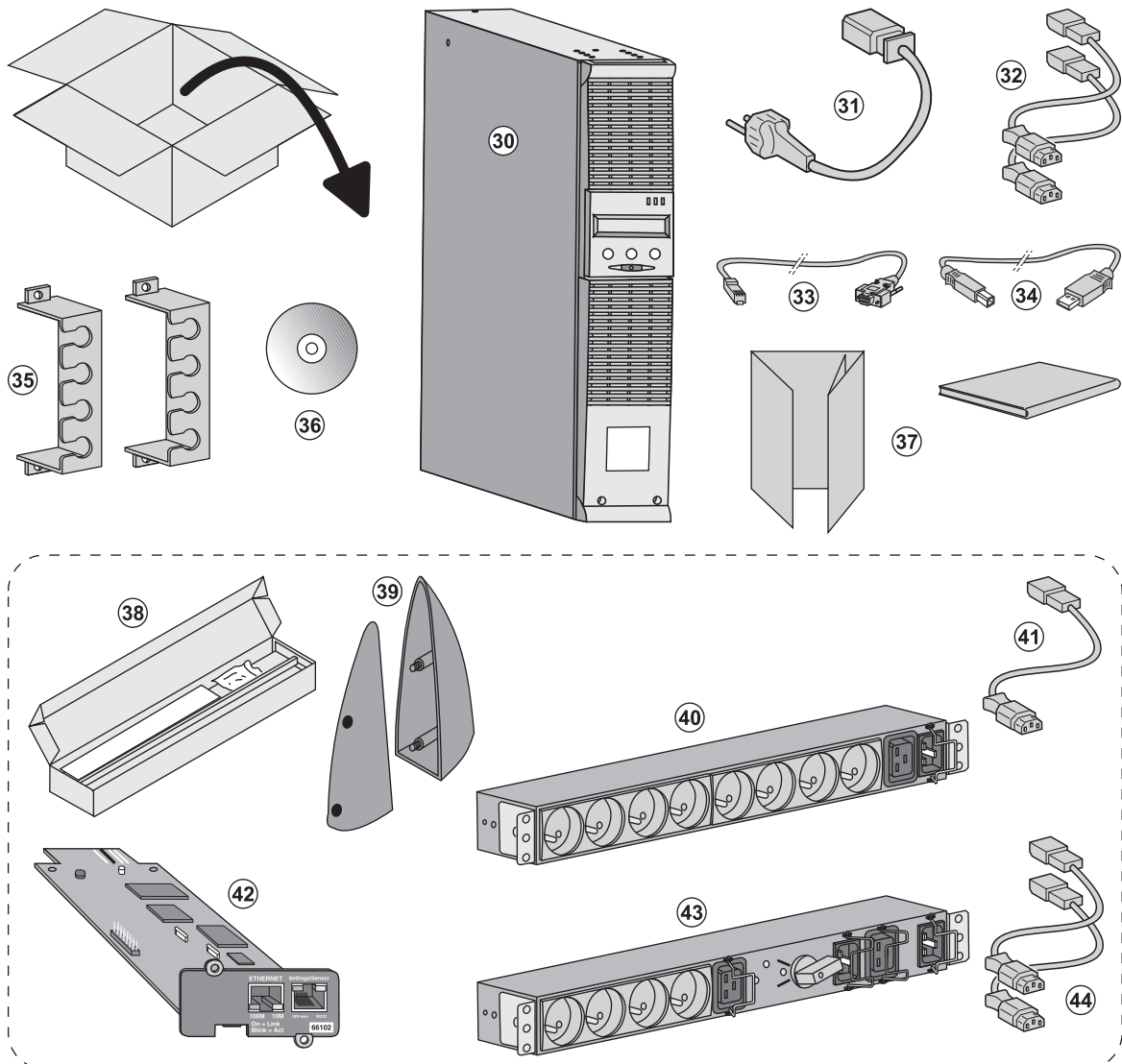
1.3 Bedien- und Anzeigefeld



- (20) LED "Verbraucher geschützt"
- (21) LED "Störbetrieb"
- (22) LED "Verbraucher nicht geschützt"
- (23) Alphanumerisches Display
- (24) Taste Funktionsabbruch, Rückkehr zum vorherigen Menüpunkt
- (25) Scroll-Taste
- (26) Bestätigungstaste
- (27) EIN/AUS-Taste für USV und Ausgangssteckdosen

2. Aufstellung und Installation

2.1 Entfernen der Verpackung und Überprüfung des Lieferumfangs



(30) USV EX 2200 / 3000 / 3000 XL.

(31) Netzkabel.

(32) 2 Verbraucherschnittstellenkabel.

(33) RS232-Kabel.

(34) USB-Kabel.

(35) 2 Verriegelungsabdeckungen für Verbraucherschnittstellenkabel.

(36) CD-ROM **Solution-Pac**.

(37) Dokumentation.

Lieferbestandteile je nach Version und Optionen

(38) Montagekit für Einbau in 19"-Schränke.

(39) 2 Stützfüße für Toweraufstellung (nur für Modelle RT 2U).

(40) **FlexPDU**-Modul (Option).

(41) Verbindungskabel **FlexPDU**-Modul/USV.

(42) **NMC**-Kommunikationskarte (Option).

(43) **HotSwap MBP**-Modul (Option).

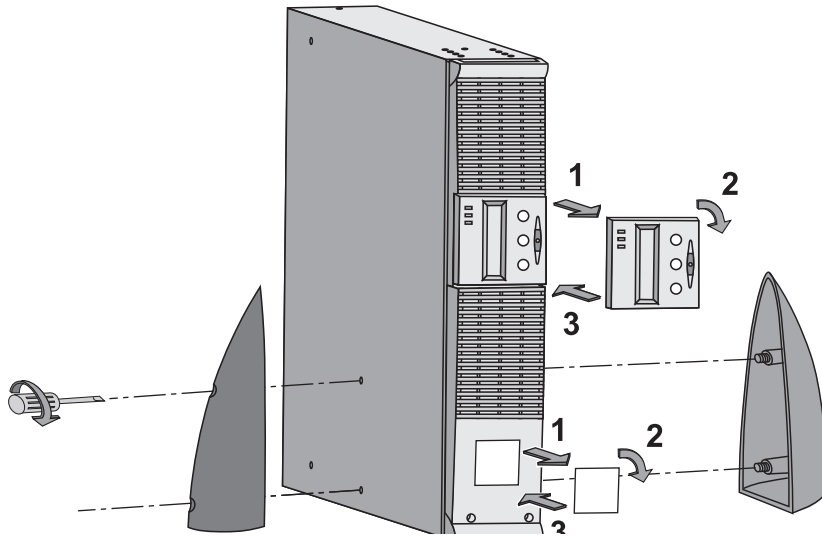
(44) Verbindungskabel **HotSwap MBP**- Modul/USV.



Verpackungen müssen entsprechend den geltenden gesetzlichen Bestimmungen entsorgt werden. Um die Sortierung zu erleichtern, sind die Verpackungsmaterialien mit entsprechenden Symbolen gekennzeichnet.

2. Aufstellung und Installation

2.2 Aufstellung des Tower-Modells



2.3 Einbau des Rack-Modells

Es sollte zunächst das Batteriemodul und anschließend das USV-Modul darüber montiert werden.



Zur Befestigung des Moduls auf den Teleskopschienen Schritte 1 bis 4 befolgen.



Die Teleskopschienen und das benötigte Montagezubehör werden von EATON geliefert.

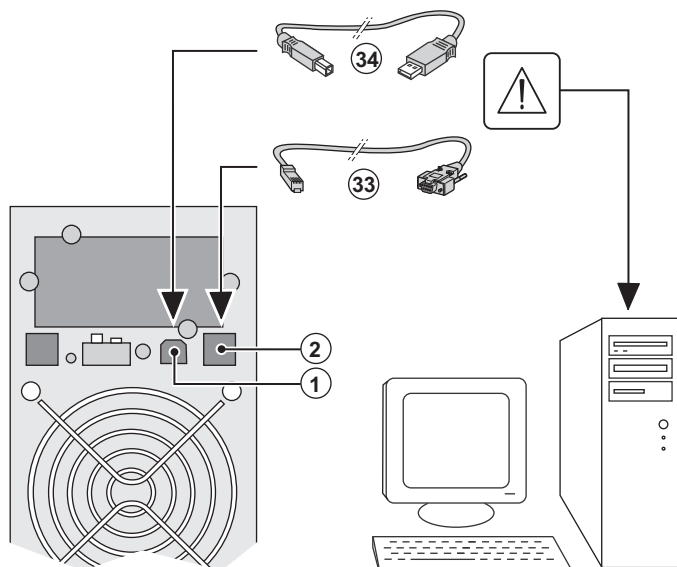
2. Aufstellung und Installation

2.4 Kommunikationsschnittstellen

Anschluss der RS232- bzw. der USB-Schnittstelle (wahlweise)



RS232- und USB-Schnittstelle können nicht gleichzeitig verwendet werden.

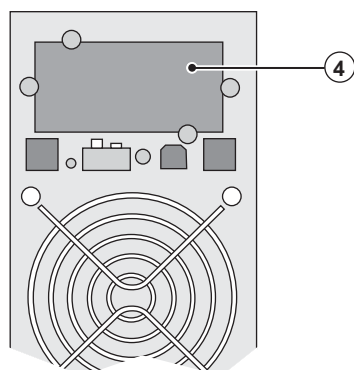


1 - Kabel (33) oder (34) an die RS232- bzw. USB-Schnittstelle des zu schützenden Rechnersystems anschließen.

2 - Das jeweils andere Ende des Kabels (34) oder (33) an die USB-Schnittstelle (1) bzw. den RS232-Port (2) der USV anschließen.

Die **USV** kann nun über verschiedene Softwarepakete von EATON mit dem angeschlossenen Rechnersystem kommunizieren (Überwachung, Konfiguration, Sicherheitsparameter).

Einbau der optionalen Kommunikationskarten



Steckplatz für Kommunikationskarte (beschränkter Zugang)

Die Kommunikationskarten können bei eingeschalteter USV installiert werden.

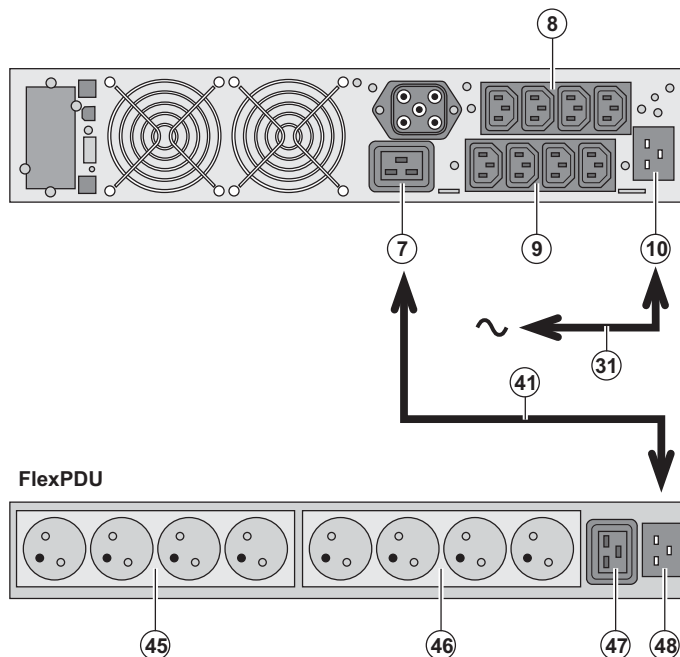
1 - Kartenfachabdeckung (4) an der USV-Rückseite abschrauben und herausnehmen.

2 - Kommunikationskarte in den entsprechenden Steckplatz einstecken.

3 - Abdeckung erneut anschrauben.

2. Aufstellung und Installation

2.5 USV-Anschluss mit optionalem FlexPDU-Installationsverteiler (Power Distribution Unit)



1 - Eingangssteckdose (10) der USV über das mitgelieferte Netzkabel (31) mit dem Versorgungsnetz verbinden.

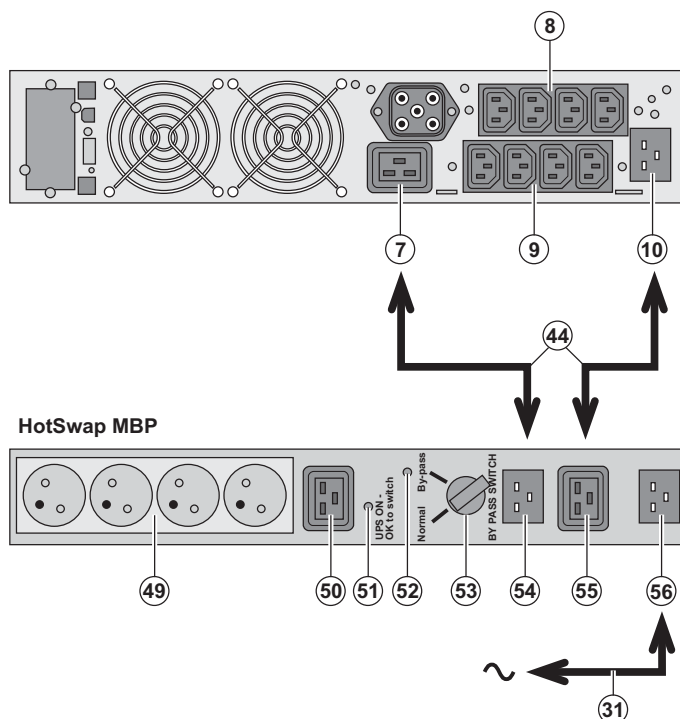
2 - Eingangssteckdose (48) des FlexPDU-Moduls über das mitgelieferte Kabel (41) mit der Ausgangssteckdose (7) der USV verbinden. Das Kabel und die genannten Steckdosen sind rot gekennzeichnet.

3 - Verbraucher an die Steckdosen (45), (46) und (47) des FlexPDU-Moduls anschließen. Die Steckdosen entsprechen je nach Ausführung des FlexPDU-Moduls unterschiedlichen Normen.

4 - Kabel mit Hilfe der Steckdosenabdeckungen sichern.

2.6 USV-Anschluss mit optionalem HotSwap MBP-Modul

Das **HotSwap MBP**-Modul ermöglicht die Wartung und ggf. den Austausch der USV, ohne die Spannungsversorgung der angeschlossenen Verbraucher unterbrechen zu müssen (**HotSwap**-Funktion).



1 - Eingangssteckdose (56) des HotSwap MBP-Moduls über das mitgelieferte Netzkabel (31) mit dem Versorgungsnetz verbinden.

2 - Eingangssteckdose (10) der USV über das mitgelieferte Kabel (44) mit der Steckdose "UPS Input" (55) des HotSwap MBP-Moduls verbinden. Diese Kabel und Steckdosen sind blau gekennzeichnet.

3 - Ausgangssteckdose (7) der USV über das mitgelieferte Kabel (44) mit der Steckdose "UPS Output" (54) des HotSwap MBP-Moduls verbinden. Diese Kabel und Steckdosen sind rot gekennzeichnet.

4 - Verbraucher an die Ausgangssteckdosen (49) und (50) des HotSwap MBP-Moduls anschließen. Die Steckdosen entsprechen je nach Ausführung des HotSwap MBP-Moduls unterschiedlichen Normen.

Achtung: Verbraucher nicht an die Ausgangssteckdosen (8) und (9) der USV anschließen, da sonst bei Betätigung des Schalters (53) die Versorgung der angeschlossenen Geräte unterbrochen wird. Aus Sicherheitsgründen sollte daher der Schutzfilm auf den Steckdosen (8) und (9) nicht entfernt werden.



2. Aufstellung und Installation

Funktionsweise des HotSwap MBP-Moduls



An der Rückseite des **HotSwap MBP-Moduls** befindet sich ein Drehschalter (53) mit 2 Schaltstellungen:

Stellung Normal:

Die Verbraucherversorgung erfolgt über die USV.

Stellung Bypass:

Die Verbraucherversorgung erfolgt aus dem Einspeisenetz.

Einschalten der USV bei Verwendung des HotSwap MBP-Moduls:

- 1 - Korrekten Anschluss der USV an das **HotSwap MBP-Modul** überprüfen.
 - 2 - Drehschalter (53) in die Stellung "Normal" bringen.
 - 3 - USV durch Betätigung der EIN/AUS-Taste (27) an der Frontseite des Geräts einschalten.
- Die Verbraucher werden über die USV versorgt.
Die LED (51) "UPS ON - OK to switch" am **HotSwap MBP-Modul** leuchtet auf.

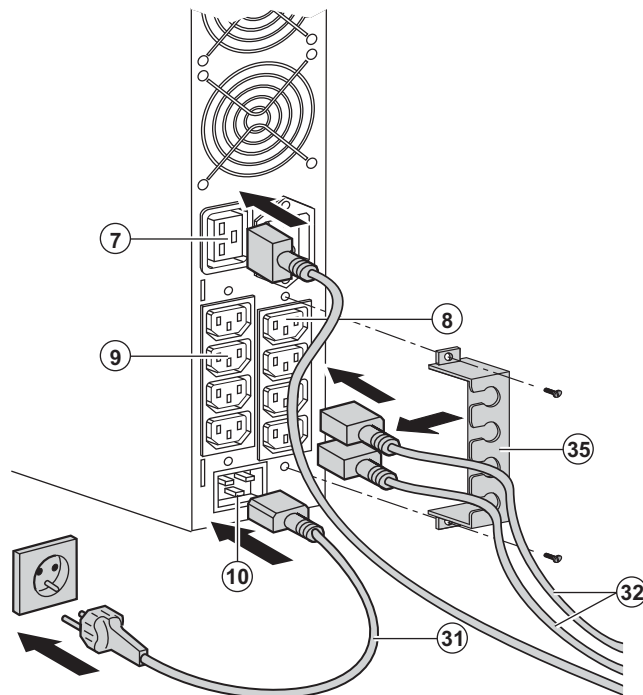
Funktionstest des HotSwap MBP-Moduls.

- 1 - Schalter (53) in die Stellung "By-pass" bringen und überprüfen, dass die Verbraucher weiter versorgt werden.
- 2 - Drehschalter (53) erneut in die Stellung "Normal" zurückstellen.

2.7 USV-Anschluss ohne FlexPDU- und oder HotSwap MBP-Modul



Kenndaten auf dem Typenschild (siehe Geräte-Rückseite) hinsichtlich Übereinstimmung mit den vorhandenen Netzparametern und der Leistungsaufnahme aller angeschlossenen Verbraucher überprüfen.



- 1 - Mitgeliefertes Netz Kabel (31) (250V - 16A) in die Gerätesteckdose (10) der USV und dann in die Netzsteckdose einstecken.
- 2 - Verbraucher mit Hilfe der Anschlusskabel (32) an die USV anschließen.

Verbraucher mit hoher Priorität vorzugsweise an die 4 Steckdosen (9) und weniger wichtige Verbraucher an die 4 paarweise programmierbaren Steckdosen (8) (Gruppe 1/Gruppe 2) anschließen. Verbraucher mit hoher Nennleistung an die 16A-Steckdose (7) anschließen.

Um den Abwurf der Steckdosen (8) im Batterietrieb zu programmieren und so die Nutzung der Autonomiezeit zu optimieren, wird die mitgelieferte USV-Software benötigt.

- 3 - Verriegelungsabdeckungen (35) für Verbraucher-Anschlusskabel anbringen.



Hinweis: Die Aufladung der Batterie beginnt sofort nach dem Netzanschluss der USV, selbst wenn die EIN/AUS-Taste (27) noch nicht betätigt wurde.

Nach dem erstmaligen Netzanschluss der USV benötigt das Gerät eine Ladezeit von mindestens 8 Stunden, um die volle Autonomiezeit der Batterie zur Verfügung zu stellen.



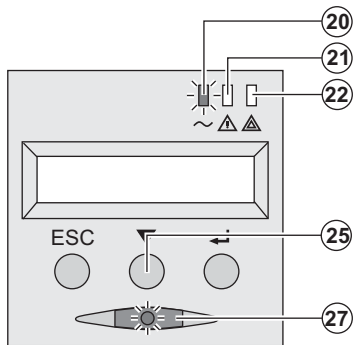
EX 3000 XL: Da die USV nicht über interne Batterien verfügt, mindestens ein zusätzliches EXB-Batterieminidul anschließen.

Für nähere Informationen zu den Anschlüssen siehe die Installationsanleitung des EXB-Batterieminiduls (Dok.-Nr. 34008167).

3.1 Inbetriebnahme und Normalbetrieb



Ber der erstmaligen Inbetriebnahme muss das elektrische Einspeisnetz vorhanden sein, damit mögliche Anschlussfehler erkannt werden können. Anschließend kann die USV auch ohne vorhandene Netzspannung gestartet werden.



Taste (27) etwa 1 Sekunde lang drücken.

- Der Summer ertönt kurz, und sämtliche LEDs leuchten gleichzeitig auf.

- Während des anschließenden Selbsttests ertönt der Summer zweimal. Die LED der Drucktaste (27) leuchtet kontinuierlich und zeigt an, dass die Ausgangssteckdosen versorgt werden.

Die angeschlossenen Verbraucher sind durch die USV geschützt.

- LED (20) leuchtet auf.

Wenn LED (22) aufleuchtet, liegt eine Störung vor (siehe Abschnitt "Betriebsstörungen").

- Im Normalbetrieb können mit der Scroll-Taste (25) verschiedene Messwerte und Kenndaten der USV abgerufen werden (Eingangsspannung von Netz 1 [Gleichrichter] und Netz 2 [Bypass], Betriebsart, Batteriekapazität und Seriennummer der USV).



Kundenspezifische Anpassung der USV

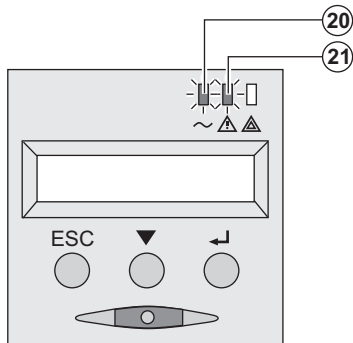


Ist eine kundenspezifische Anpassung der USV vorgesehen, sollte sie in an dieser Stelle durch Aufruf des entsprechenden Konfigurationsmenüs durchgeführt werden.

Die Anpassung erfolgt über das Bedien- und Anzeigefeld oder über die USV-Software **Personal Solution-Pac** für Windows, die sich auf der mitgelieferten CD-ROM **Solution-Pac** befindet.

3.2 Batteriebetrieb

Umschaltung auf Batteriebetrieb



- Bei einem Netzausfall werden die angeschlossenen Verbraucher aus der Batterie weiter versorgt.

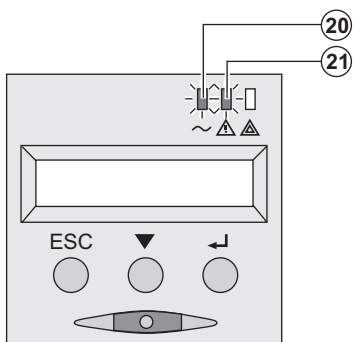
- Die LEDs (20) und (21) leuchten auf.

- Der Summer ertönt alle 10 Sekunden.

Die angeschlossenen Verbraucher werden über die Batterie versorgt.

Das Display zeigt die verbleibende Autonomiezeit an.

Voralarm "Ende der Autonomiezeit"



- Die LEDs (20) und (21) leuchten auf.

- Der Summer ertönt alle 3 Sekunden.

Die verbleibende Autonomiezeit ist gering.

Schließen Sie alle Anwendungen, da die Abschaltung der USV kurz bevorsteht.

3. Betriebszustände

Abschaltung am Ende der Autonomiezeit



- ▶ Alle LEDs sind aus.
- ▶ Der Summer gibt keinen Ton ab.



Die USV ist vollständig abgeschaltet.

3.3 Rückkehr der Netzspannung

Bei Netzzurückkehr nach einer Abschaltung erfolgt ein automatischer Neustart der USV, sofern die Funktion nicht durch kundenspezifische Anpassung deaktiviert wurde.

3.4 Abschaltung der USV



Taste (27) mehr als 2 Sekunden gedrückt halten.

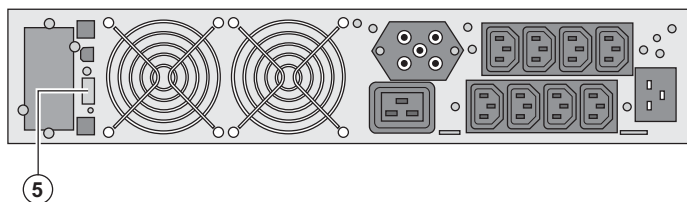
Die an die USV angeschlossenen Systeme werden nicht mehr versorgt.

3.5 Verwendung der Fernbetätigungsfunktionen der USV

EX arbeitet wahlweise mit zwei Fernbetätigungsvorrichtungen.

- ▶ **RPO**: Fernabschaltung der USV (**R**emote **P**ower **O**ff), mit der alle an die USV angeschlossenen Verbraucher durch eine dezentrale Betätigung des Anwenders abgeschaltet werden können. Das erneute Einschalten der USV muss manuell erfolgen.
- ▶ **ROO**: Fernbedientes Ein-/Ausschalten der USV (**R**emote **O**N/**O**FF). Diese Funktion ermöglicht eine Betätigung der dezentralen Taste (27).

Die Nutzung dieser Funktionen erfolgt über einen Kontakt, der an zwei entsprechende Klemmen des Steckverbinders (5) auf der USV-Rückseite angeschlossen wird (siehe nachstehende Abbildung).

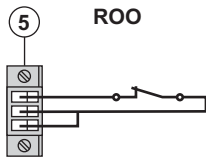


Anschluss und Test der Fernbetätigungen



- 1 - Prüfen, dass die USV abgeschaltet ist und dass sie nicht an das Stromnetz angeschlossen ist.
- 2 - Die Schrauben lösen und den Steckverbinder (5) abnehmen.
- 3 - Einen isolierten Trockenkontakt vom Typ 'normal geschlossen' (max. 60 Vdc/ 30 Vac, max. 20 mA, Kabelquerschnitt 0,75 mm²) zwischen den beiden Pins des Steckverbinders (5) anschließen (siehe Abbildung).

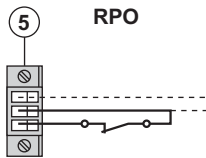
3. Betriebszustände



Kontakt offen: Abschaltung der USV

Kontakt geschlossen: Einschaltung der USV (wenn die USV an das Stromnetz angeschlossen ist und das Stromnetz Strom führt).

Anmerkung: Das lokale Ein/Aus durch die Taste **(27)** hat Vorrang vor der Fernbetätigung.



Kontakt offen: Abschaltung der USV

Für die Rückkehr in Normalbetrieb den externen Fernabschaltungskontakt deaktivieren und die USV mit der Taste **(27)** wieder einschalten.

4 - Den Steckverbinder **(5)** in seinen Steckplatz an der RückPage der USV einstecken.

5 - Die USV gemäß den weiter oben beschriebenen Verfahren anschließen und wieder starten.

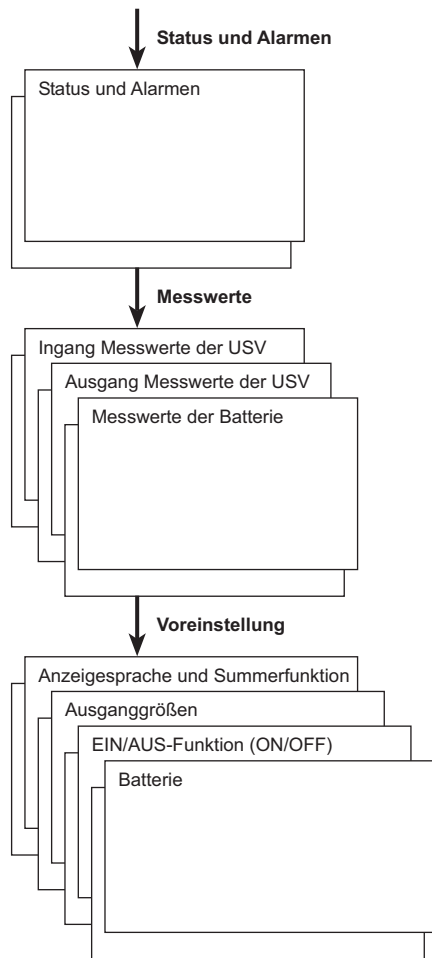
6 - Den externen Fernabschaltungskontakt aktivieren, um die Funktion zu testen.



Achtung: Dieser Steckverbinder darf ausschließlich an SELV-Stromkreise (Schutzkleinspannung) angeschlossen werden.

4. Kundenspezifische Anpassung und Abfrage der Messwerte

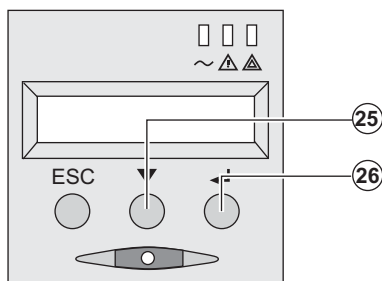
4.1 Darstellungsmöglichkeiten des Displays



4.2 Abfrage der Messwerte

Durch wiederholte Betätigung der Scroll-Taste (25) können ggf. anstehende Alarme sowie die Messwerte für Spannung, Strom, Frequenz, Ausgangsleistung und Autonomiezeit der Batterie aufgerufen werden.

4.3 Kundenspezifische Anpassung über Bedienfeld



- ▶ Scroll-Taste mehrmals drücken (25) um in das Menü zur kundenspezifischen Anpassung zu gelangen.
- ▶ Mit Hilfe der Betätigungstaste (26) können die einzelnen Funktionen ausgewählt werden.
- ▶ Durch erneutes Drücken der Betätigungstaste (26) können die ausgewählten Einstellungen abgespeichert werden.

Anzeigesprache und Summerfunktion

Funktion	Werksseitige Voreinstellung	Verfügbare Einstellungen
Sprache	Englisch	Französisch, Spanisch, Deutsch, Italienisch, Niederländisch
Summer	Aktiv	Inaktiv

4. Kundenspezifische Anpassung und Abfrage der Messwerte

Ausgangsgrößen

Funktion	Werkseitige Voreinstellung	Verfügbare Einstellungen	Anmerkung
Ausgangsspannung ⁽¹⁾	230 Volt AC	200/208/220/240 Volt AC	
Frequenzwandler ⁽¹⁾	Inaktiv	Aktiv	Umschaltung der angeschlossenen Verbraucher auf den NRE-Zweig (Bypass) nicht zulässig.
Ausgangsfrequenz ⁽¹⁾	Automatische Auswahl	50/60 Hz	Auswahl durch den Anwender nur bei aktivierter Frequenzwandlerfunktion.
Umschaltung auf Netz 2 (Bypass) ⁽¹⁾	wenn Netz 2 innerhalb der zulässigen Toleranzen	wenn Netz 2 außerhalb der zulässigen Toleranzen	
Überlastvermögen ⁽¹⁾	102%	50 / 70%	Alarm bei Überschreitung des Grenzwerts

(1) Diese Einstellungen können nur bei ausgeschalteter **USV** verändert werden.

Eine genauere Beschreibung der Einstellungen steht unter der USV-Software **Personal Solution-Pac** zur Verfügung.

EIN/AUS-Funktion (ON/OFF)

Funktion	Werkseitige Voreinstellung	Verfügbare Einstellungen	Anmerkung
USV-Start im Batteriebetrieb	Aktiv	Inaktiv	
Automatischer Neustart	Aktiv	Inaktiv	Automatischer Neustart bei Rückkehr des Netzes
Energiesparfunktion	Inaktiv	Aktiv	Bei Aktivierung dieser Funktion erfolgt die automatische Abschaltung im Batteriebetrieb bei einem Auslastungsgrad von <5%
Erkennung des korrekten Netzanschlusses Phase/ N-Leiter (SWF)	Inaktiv	Aktiv	Bei Aktivierung dieser Funktion bleibt die USV ausgeschaltet (Stellung OFF), wenn ein falscher Netzanschluss erkannt wird.

Batterie

Funktion	Werkseitige Voreinstellung	Verfügbare Einstellungen	Anmerkungen
Batterietest	einmal pro Woche	Kein Test / täglich / einmal pro Monat	
Autonomiezeit (Batteriekapazität)	Automatische Erfassung der vorhandenen Batteriemodule	65 bis 400 Ah	
Schutz gegen Tiefentladung	Aktiv	Inaktiv	Bei Aktivierung dieser Funktion Verlust der EATON-Garantie

4.4 Kundenspezifische Anpassung über externe Software



► CD ROM **Solution-Pac** in das Laufwerk des Rechners einlegen.

► Auf der ersten Seite des Auswahlmenüs "Solution Schritt für Schritt" auswählen und Anweisungen befolgen, um die Software **Personal Solution-Pac** zu installieren.

► Anschließend "Konfiguration" und danach "Erweiterte Konfiguration" und "USV-Einstellungen" auswählen.

Achtung: In der Linux/Unix/MacOS-Version der Software **Personal Solution-Pac** steht diese Auswahloption nicht zur Verfügung.

5. Wartung und Service

5.1 Fehlerbehebung



Bei Aufleuchten der LED (21) oder (22) liegt eine Betriebsstörung oder ein Alarmzustand vor.
Zur Abschaltung des Summers Taste (24) drücken.

	Fehleranzeige	Fehlerursache	Fehlerbehebung
1	Die USV geht nicht an, Das alphanumerische Display zeigt folgende Meldung: COLD START NOK CHECK AC WIRING	Es ist entweder keine Netzspannung vorhanden oder sie ist an den Ausgang der USV angeschlossen.	Prüfen Sie, ob die USV ordnungsgemäß an das Stromnetz angeschlossen ist.
2	LED (22) leuchtet auf und LED (11) (SWF-Funktion) an der USV-Rückseite leuchtet auf. Das alphanumerische Display zeigt folgende Meldung: ANSCHLUSS FALSCH UEBERPRUEFEN	Fehlerhafter Anschluss von Phase und Neutralleiter des Eingangsnetzes. Die USV lässt sich nicht einschalten.	<ul style="list-style-type: none"> ▶Bei TT-Netzen (Sternpunkt geerdet) Netzanschluss korrigieren. Hierzu DIN-Schukostecker abziehen und um 180° drehen oder Umstellung durch Wartungs-personal vornehmen lassen. ▶Bei allen anderen Netzformen SWF-Funktion deaktivieren.
3	LED (22) leuchtet auf. Das alphanumerische Display zeigt folgende Meldung: KEINE BATTERIE PRUEFE ANSCHLUSS	Die Batterie ist falsch angeschlossen.	Batterieanschluss überprüfen (siehe Abschnitt 5.2: "Austausch des Batteriemoduls").
4	LED (22) leuchtet auf. Das alphanumerische Display zeigt folgende Meldung: BATTERIEFEHLER SERV NOTWENDIG	Es wurde eine Batteriestörung festgestellt.	Batterie austauschen (siehe Abschnitt 5.2: "Austausch des Batteriemoduls"). Kundendienst verständigen.
5	LED (21) leuchtet auf. Das alphanumerische Display zeigt folgende Meldung: UEBERLASTMELDUNG LAST REDUZIEREN	Der Auslastungsgrad übersteigt das eingestellte Überlastvermögen oder die Ausgangsleistung der USV.	Leistungsaufnahme der angeschlossenen Systeme überprüfen und weniger wichtige Verbraucher abschalten. Eingestelltes Überlastvermögen prüfen.
6	LED (22) leuchtet auf. Das alphanumerische Display zeigt folgende Meldung: LAST UNGESICHERT UEBERLAST	Die USV ist überlastet. Die angeschlossenen Verbraucher werden über den Bypass direkt vom Netz gespeist.	Leistungsaufnahme der angeschlossenen Systeme überprüfen und weniger wichtige Verbraucher abschalten.
7	LED (22) leuchtet auf. Das alphanumerische Display zeigt folgende Meldung: LAST REDUZIEREN USV NEU STARTEN	Infolge wiederholt aufgetretener Überlast ist die USV in der Bypassposition blockiert. Die angeschlossenen Verbraucher werden direkt vom Netz gespeist.	Leistungsaufnahme der angeschlossenen Systeme überprüfen und weniger wichtige Verbraucher abschalten. Schalten Sie die USV ab und wieder ein, um in den normalen Betrieb zurückzukehren.
8	LED (22) leuchtet auf. Das alphanumerische Display zeigt folgende Meldung: FEHLER UEBERLAST LAST REDUZIEREN	Die USV wurde wegen einer unzulässigen Überlast abgeschaltet.	Leistungsaufnahme der angeschlossenen Systeme überprüfen und weniger wichtige Verbraucher abschalten.
9	LED (22) leuchtet auf. Das alphanumerische Display zeigt folgende Meldung: VERBRAUCHER KURZSCHLUSS	Die USV wurde aufgrund eines Kurzschlusses im Ausgangskreis abgeschaltet.	Verbraucherkreise überprüfen (Anschlüsse, Gerätefehler).
10	LED (22) leuchtet auf. Das alphanumerische Display zeigt folgende Meldung: INTERNER FEHLER SERV NOTWENDIG	Es liegt eine interne Betriebsstörung der USV vor. Diese kann zwei Betriebszustände zur Folge haben: <ul style="list-style-type: none"> ▶Die angeschlossenen Verbraucher werden über den NRE-Zweig direkt aus Netz 2 (Bypass) weiter versorgt; ▶ Die angeschlossenen Verbraucher werden nicht mehr versorgt. 	Kundendienst verständigen.
11	Das alphanumerische Display zeigt folgende Meldung: FERNABSCHALTUNG RPO	Die Betätigung des Schaltkontakts "Not-Ausschaltung" (RPO) hat eine Abschaltung der USV bewirkt.	Setzen Sie den Schaltkontakt wieder in seine normale Position und drücken Sie die Taste ON/OFF, um die USV wiedereinzuschalten.

Betriebsstörungen bei einer USV mit HotSwap MBP-Modul



	Fehleranzeige	Fehlerursache	Fehlerbehebung
12	Die angeschlossenen Verbraucher werden nicht versorgt, wenn der Drehschalter (49) des HotSwap MBP-Moduls in der Stellung "By-pass" steht.	<ul style="list-style-type: none"> Die Verbraucher sind an den Ausgang der USV anstatt an das HotSwap MBP-Modul angeschlossen.. Das Netzkabel ist an den USV-Eingang anstatt an das HotSwap MBP-Modul angeschlossen. 	Anschlussverbindungen zwischen USV und HotSwap MBP-Modul überprüfen (siehe Abschnitt 2.6).
13	Die angeschlossenen Verbraucher werden nicht versorgt, wenn der Drehschalter (49) des HotSwap MBP-Moduls in der Stellung "Normal" steht.	<ul style="list-style-type: none"> Die USV ist ausgeschaltet. Die Anschlussverbindungen zwischen USV und HotSwap MBP-Modul sind fehlerhaft. 	<ul style="list-style-type: none"> USV einschalten. Anschlussverbindungen zwischen USV und HotSwap MBP-Modul überprüfen (siehe Abschnitt 2.6).
14	Die angeschlossenen Verbraucher werden bei Netzausfall nicht weiter versorgt.	<ul style="list-style-type: none"> Der Drehschalter (49) des HotSwap MBP-Moduls steht in Stellung "By-pass". Die Anschlussverbindungen zwischen USV und HotSwap MBP-Modul sind fehlerhaft. 	<ul style="list-style-type: none"> Drehschalter (49) des HotSwap MBP-Moduls in Stellung "Normal" bringen. Anschlussverbindungen zwischen USV und HotSwap MBP-Modul überprüfen (siehe Abschnitt 2.6).

Bei Störungen mit Abschaltung der USV nach Behebung des Fehlers erneut EIN/AUS-Taste (27) betätigen.

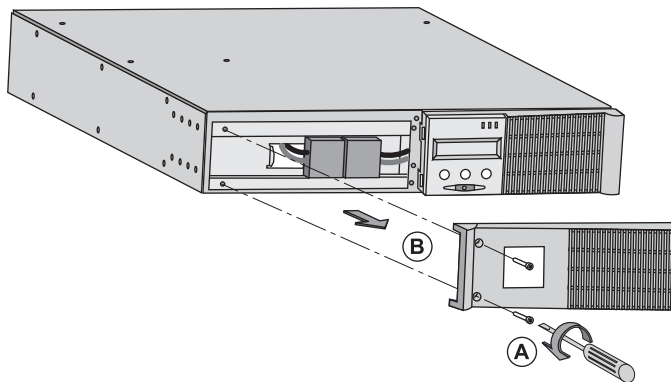
5.2 Austausch des Batteriemoduls

Sicherheitsmaßnahmen:

Die Batterie hat einen hohen Kurzschlußstrom und kann Stromschläge verursachen. Bei jeder Handhabung der Batterien sind daher folgende Sicherheitsmaßnahmen einzuhalten:

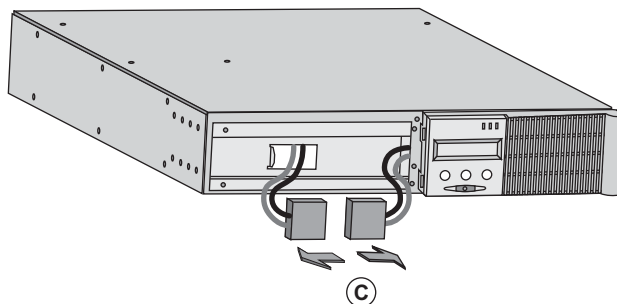
- Armbanduhren, Ringe, Armreifen und sonstige an Händen oder Armen getragene Metallgegenstände abnehmen.
- Werkzeuge mit Isoliergriff verwenden.

Ausbau des Batteriemoduls



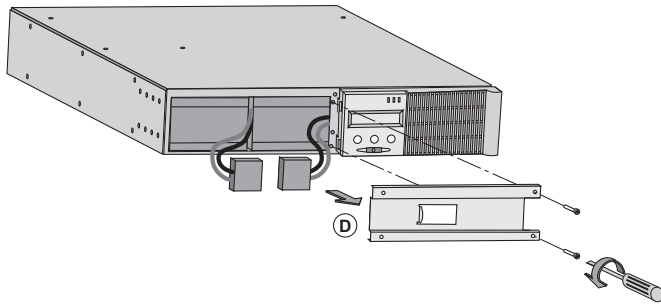
A - Linken Teil des Frontblechs lösen (2 Schrauben).

B - Blech abnehmen.

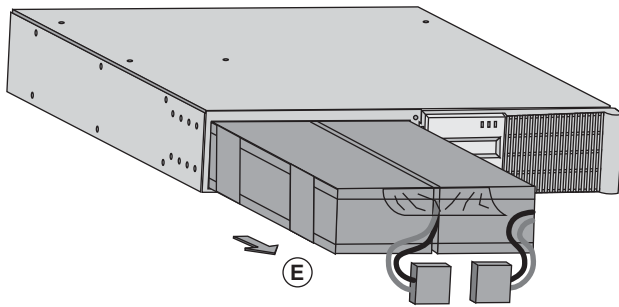


C - Batteriemodul durch Lösen der 2 Steckverbinder abklemmen (nicht an den Kabeln ziehen!)

5. Wartung und Service



D - Batterie-Schutzabdeckung entfernen (Schrauben).



E - Batteriemodul durch Greifen der Kunststoffflasche herausziehen und durch neues ersetzen.

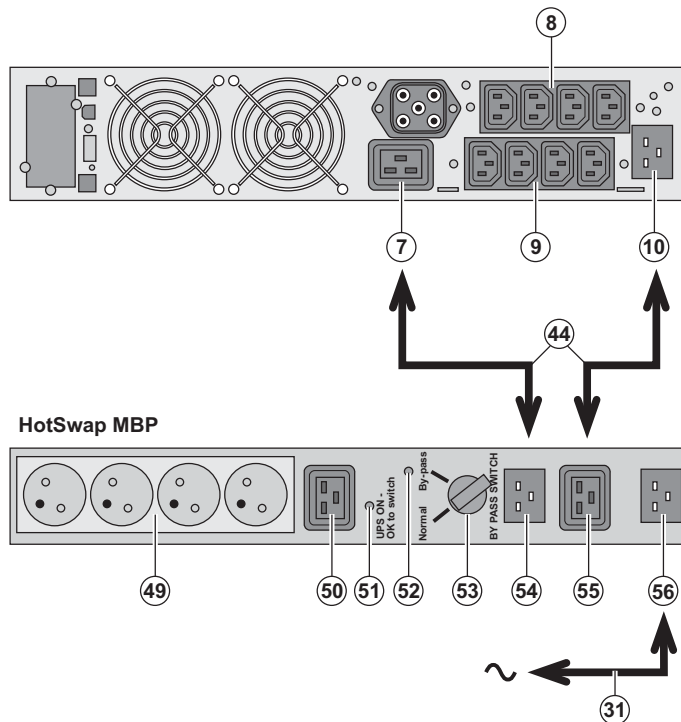
Einbau des neuen Batteriemoduls

Die oben beschriebenen Handgriffe in umgekehrter Reihenfolge ausführen.



- ▶ Zur Gewährleistung der Sicherheit und des Betriebsverhaltens dürfen nur Austauschmodule verwendet werden, die mit den eingebauten Batterien baugleich sind.
- ▶ Es ist sicherzustellen, dass der Batteriestecker vollständig in die zugehörige Buchse des Steckverbinders eingesteckt ist.

5.3 Wartung und Service bei USV-Anlagen mit HotSwap MBP-Modul



Das **HotSwap MBP**-Modul ermöglicht die Wartung und ggf. den Austausch der USV, ohne die Spannungsversorgung der angeschlossenen Verbraucher unterbrechen zu müssen (**HotSwap**-Funktion).

Wartung:

- 1 - Drehschalter (**53**) in die Stellung "By-pass" bringen. Die rote LED des **HotSwap MBP**-Moduls leuchtet auf und zeigt an, dass die angeschlossenen Verbraucher direkt aus dem Netz versorgt werden.
- 2 - USV durch Betätigung der EIN/AUS-Taste (**27**) an der Frontseite des Geräts ausschalten. Die LED (**51**) "UPS ON - OK to switch" erlischt; anschließend kann die USV abgeklemmt und ausgetauscht werden.

Rückkehr in Normalbetrieb:

- 1 - Korrekten Anschluss der USV an das **HotSwap MBP**-Modul überprüfen.
- 2 - USV durch Betätigung der EIN/AUS-Taste (**27**) an der Frontseite des Geräts einschalten. Die LED (**51**) "UPS ON - OK to switch" am **HotSwap MBP**-Modul leuchtet auf (andernfalls liegt ein Anschlussfehler zwischen USV und **HotSwap MBP**-Modul vor).
- 3 - Drehschalter (**53**) in die Stellung "Normal" bringen; die rote LED am **HotSwap MBP**-Modul erlischt.

5.4 Trainingscenter

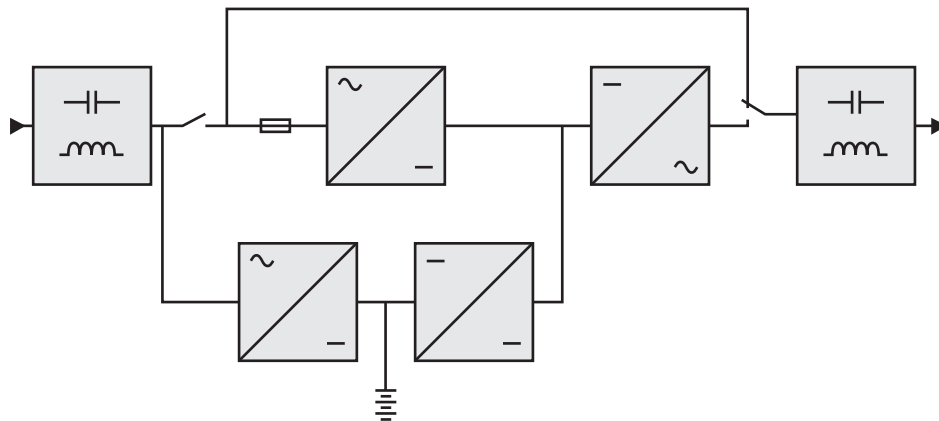


Um Ihnen eine optimale Betriebsführung Ihrer Anlage sowie eine kompetente Fehleranalyse und -behebung zu ermöglichen, bietet EATON umfangreiche Kundenschulungen in englischer und französischer Sprache an.

For further information, please visit our website: www.eaton.com

6. Anhang

6.1 Technische Daten



	EX 2200	EX 3000	EX 3000 XL	EX EXB
Ausgangsleistung	2200 VA ⁽¹⁾ / 1980 W	3000 VA ⁽²⁾ / 2700 W ⁽³⁾	3000 VA ⁽²⁾ / 2700 W ⁽³⁾	
Einspeisernetz	Einphasennetz 230 V 110 / 140 / 200 V bis 284 V ⁽⁴⁾ 50/60 Hz (automatische Einstellung) > 0,95 < 2 mA			
USV-Ausgang	Einphasennetz 230 V ±3% ⁽⁵⁾ 50/60 Hz ±0,5% ⁽⁶⁾ < 4% bei linearer Last, < 6% bei nichtlinearer Last 102% unbegrenzt, 105% 20s, > 130% 1,5s			
▶ Strom	9,6 A ⁽⁷⁾	13 A ⁽⁸⁾		
Batterie	6 x 12V - 7 Ah, verschlossene, wartungsfreie Bleibatterien	6 x 12V - 9 Ah, verschlossene, wartungsfreie Bleibatterien	ohne interne Batterie	2 Gruppen mit 6 x 12 V - 9 Ah, verschlossene wartungsfreie Bleibatterien
Umgebungsbedingungen	0°C bis 40°C 20% bis 90% (ohne Kondensation) -25°C bis 40°C 1000 m			
▶ Geräuschpegel	< 46 dBA		< 50 dBA	

(1) Entsprechend der gewählten Ausgangsspannung 200 V / 208 V / 220 V / **230 V** / 240 V beträgt die Ausgangsleistung 1980 VA / 1980 VA / 2200 VA / **2200 VA** / 2200 VA.

(2) Entsprechend der gewählten Ausgangsspannung 200 V / 208 V / 220 V / **230 V** / 240 V beträgt die Ausgangsleistung 2700 VA / 2700 VA / 3000 VA / **3000 VA** / 3000 VA.

(3) Ausgangsleistung 2700 W als Standard, 2400 W mit **EXB**-Modul.

(4) Werte für 33, 66 und 100% USV-Ausgangsleistung.

(5) Einstellbar auf 200 V / 208 V / 220 V / **230 V** / 240 V mit Hilfe der Software **UPS Config**.

(6) Frequenzwandlerbetrieb, einstellbar über Software **UPS Config**.

(7) Entsprechend der gewählten Ausgangsspannung 200 V / 208 V / 220 V / **230 V** / 240 V beträgt der maximale Ausgangsstrom 9,9 A / 9,5 A / 10 A / **9,6 A** / 9,2 A.

(8) Entsprechend der gewählten Ausgangsspannung 200 V / 208 V / 220 V / **230 V** / 240 V beträgt die Ausgangsleistung 13,5 A / 13 A / 13,6 A / **13 A** / 12,5 A.

6.2 Fachbegriffe

Auslastungsgrad	Verhältnis der durch die angeschlossenen Verbraucher aufgenommenen Leistung zur verfügbaren USV-Leistung.
Autonomiezeit	Zur Versorgung der Verbraucher nutzbare Batteriekapazität.
Batterietest	Interne Überprüfung der Batterie zur Feststellung ihres Betriebszustands.
FlexPDU-Modul	Mit der USV verbundener Installationsverteiler zur Montage in einem Baugruppenträger. Es gibt mehrere Ausführungen des Verteilers mit unterschiedlichen Normsteckdosen.
Frequenzwandler	Betriebsart der USV zur Anpassung von Eingangs- und Ausgangsfrequenz (50 Hz -> 60 Hz bzw. 60 Hz -> 50 Hz).
HotSwap MBP-Modul	Modul zur manuellen Umgehung der USV zu Wartungszwecken. Es gibt mehrere Ausführungen des HotSwap MBP -Moduls mit unterschiedlichen Normsteckdosen.
Kundenspezifische Anpassung	Programmierung bestimmter Kenndaten durch Änderung der werksseitigen Voreinstellungen. Einige Einstellungen können über die USV-Software Personal Solution-Pac von EATON vorgenommen werden.
Netz 2 (Bypass)	Ersatzeinspeisung, die eine Umgehung des Wechselrichters durch Umschaltung auf den NRE-Zweig im Überlastfall sowie eine Freischaltung bei Wartung oder Störung der USV erlaubt.
Netz 1 (Gleichrichter)	Normales Einspeisenetz der USV.
Programmierbare Steckdosen	Steckdosen, die bei Batteriebetrieb automatisch abgeworfen werden können (Abwurfverzögerung über Software Personal Solution Pac). Die programmierbaren Steckdosen sind zu jeweils zwei Gruppen zusammengefasst.
Start im Batteriebetrieb	Betriebsart, die ein Einschalten der an die USV angeschlossenen Verbraucher bei fehlender Netzeinspeisung erlaubt (USV arbeitet im Batteriebetrieb)
Tiefentladung	Entladung der Batterie unter einen zulässigen Grenzwert, die eine dauerhafte Schädigung der Batterie zur Folge hat.
USV	Unterbrechungsfreie Stromversorgung.
USV-Start/Stop über Software	Aktivierung/Deaktivierung von Start/Stop-Bedingungen für die USV über die USV-Managementsoftware der angeschlossenen Rechnersysteme.
Verbraucher	An die USV angeschlossene Geräte und Verbraucher.
Voralarm "Ende der Autonomiezeit"	Grenzwert der Batteriespannung, der das bevorstehende Ende der Autonomiezeit anzeigt, so dass entsprechende Maßnahmen auf Verbraucherseite getroffen werden können.

EX

2200 RT 2U

2200 RT 3U

3000 RT 2U

3000 RT 3U

3000 RT 3U XL

EXB RT 3U

**Manuale di installazione
e di utilizzazione**



Pulsar Series

EATON

Powering Business Worldwide

Grazie per aver scelto un prodotto EATON per la sicurezza delle vostre applicazioni.

La gamma **EX** è stata elaborata con la più grande cura.

Per sfruttare nel modo migliore le performance del vostro **ASI (Alimentazione Senza Interruzione)**, vi consigliamo di leggere attentamente questo manuale.

Prima di installare **EX**, leggere attentamente il libretto contenente le norme di sicurezza da rispettare. Leggere quindi le istruzioni del presente manuale.

Vi invitiamo a scoprire l'offerta della EATON, come pure le opzioni della gamma **EX** visitando il nostro sito **WEB**: www.eaton.com o contattando il vostro rappresentante EATON.

Tutela dell'ambiente

La società EATON si è impegnata in una politica di protezione e preservazione dell'ambiente.


I nostri prodotti sono sviluppati secondo un metodo di concezione che tiene conto del problema ecologico.


Sostanze

Questo prodotto non contiene né CFC, né HCFC, né amianto.

Imballaggio

Per migliorare il trattamento dei rifiuti e facilitarne il riciclaggio, separare gli elementi dell'imballo.

- ▶ Il cartone è composto da più di un 50% di cartone riciclato.
- ▶ I sacchetti e i sacchi sono in polietilene.
- ▶ I materiali che costituiscono l'imballo sono riciclabili e sono marcati con simbolo di identificazione .

Materiali	Abbreviazione	Numero nel simbolo 
Polietilene teraftalato	PET	01
Polietilene ad alta densità	HDPE	02
Cloruro di polivinile	PVC	03
Polietilene a bassa densità	LDPE	04
Polipropilene	PP	05
Polistirene	PS	06

Per l'eliminazione dell'imballo, seguire le regolamentazioni locali in vigore.

Fine della vita utile

La società EATON si è impegnata a trattare i prodotti in fin di vita secondo le regolamentazioni locali.

La società EATON lavora con società che si incaricano della raccolta e dell'eliminazione dei nostri prodotti in fin di vita.

Prodotto

Il prodotto è composto da materiali riciclabili.

Lo smantellamento e la distruzione dei prodotti devono avvenire nel rispetto della regolamentazione locale in vigore per i rifiuti.

I prodotti in fin di vita devono essere depositati in un centro per il trattamento dei rifiuti elettrici ed elettronici.

Batteria

Il prodotto contiene delle batterie al piombo che devono essere trattate secondo le regolamentazioni locali in vigore per le batterie.

Introduzione

Pittogrammi utilizzati



Istruzioni da seguire tassativamente.



Informazioni, consigli, guida.



Indicazione visiva da osservare.



Azione da eseguire.



Segnalazione acustica.

Le convenzioni adottate per rappresentare le spie all'interno delle illustrazioni sono le seguenti:



Spia spenta.



Spia accesa.



Spia lampeggiante.

1. Presentazione	
1.1 Posizioni standard	6
Posizione tower.....	6
Posizione slot.....	6
1.2 Vista posteriore	7
EX 2200 / 3000.....	7
EX EXB (modulo batteria opzionale).....	7
1.3 Pannello di visualizzazione e di comando	7
2. Installazione	
2.1 Apertura dell'imballaggio e verifica del contenuto	8
2.2 Installazione nella posizione tower	9
2.3 Installazione nella posizione slot	9
2.4 Porte di comunicazione	10
Raccordo della porta di comunicazione RS232 o USB (facoltativa).....	10
Installazione delle schede di comunicazione (opzione).....	10
2.5 Raccordi con un modulo FlexPDU (Power Distribution Unit)	11
2.6 Raccordi con un modulo HotSwap MBP	11
Funzionamento del modulo HotSwap MBP.....	12
2.7 Raccordo di un ASI privo di modulo FlexPDU o HotSwap MBP	12
3. Utilizzo	
3.1 Messa in servizio e funzionamento normale	13
3.2 Funzionamento su batteria	13
3.3 Ritorno della rete elettrica	14
3.4 Arresto dell'ASI	14
3.5 Utilizzo delle funzioni di controllo remoto dell'ASI	14
4. Personalizzazione e accesso alle misure	
4.1 Sinottico del display	16
4.2 Accesso alle misure	16
4.3 Personalizzazione tramite il pannello di comando	16
4.4 Personalizzazione tramite software esterno	17
5. Manutenzione	
5.1 Riparazione dei guasti	18
Anomalie su un ASI dotato di modulo HotSwap MBP.....	19
5.2 Sostituzione del modulo batteria	19
Richiamo sulle istruzioni di sicurezza.....	19
Smontaggio del modulo batteria.....	19
Rimontaggio del nuovo modulo batteria.....	20
5.3 Manutenzione di un ASI dotato di modulo HotSwap MBP	20
5.4 Centro di formazione	21
6. Allegati	
6.1 Specifiche tecniche	22
6.2 Glossario	23

1. Presentazione

1.1 Posizioni standard

Posizione tower

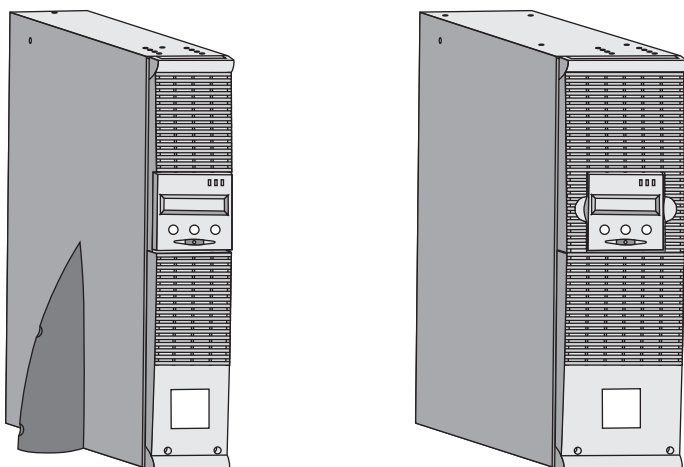
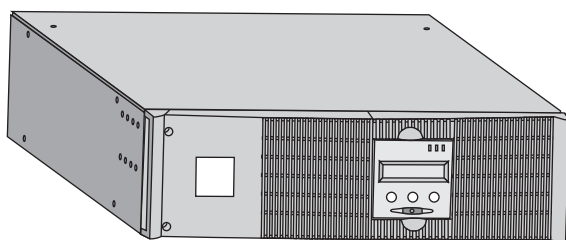
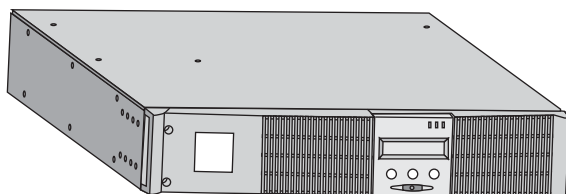


Tabella delle dimensioni (A x L x P) in mm	
EX 2200 RT 2U	440 x 86 x 640
EX 2200 RT 3U	440 x 131 x 490
EX 3000 RT 2U	440 x 86 x 640
EX 3000 RT 3U	440 x 131 x 490
EX 3000 RT 3U XL	440 x 131 x 490
EX EXB RT 3U	440 x 131 x 490

Tabella delle masse in kg	
EX 2200 RT 2U	31
EX 2200 RT 3U	30
EX 3000 RT 2U	31
EX 3000 RT 3U	30
EX 3000 RT 3U XL	17
EX EXB RT 3U	42

Posizione slot



1. Presentazione

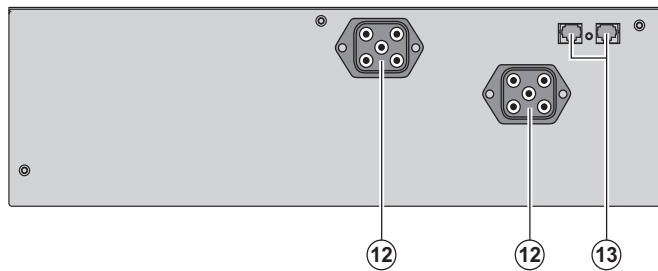
1.2 Vista posteriore

EX 2200 / 3000 / 3000 XL



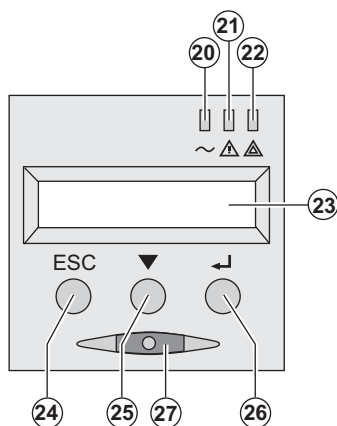
- (1) Porta di comunicazione USB
- (2) Porta di comunicazione RS232
- (3) Connettore di riconoscimento automatico di un modulo batteria supplementare
- (4) Sede per una scheda di comunicazione opzionale.
- (5) Connettore per il raccordo di un comando Avvio/Arresto a distanza e di un arresto di emergenza.
- (6) Connettore per il raccordo di un modulo batteria supplementare
- (7) Presa 16A per il raccordo diretto degli impianti
- (8) 2 gruppi di 2 prese programmabili per il raccordo diretto degli impianti
- (9) Gruppo di 4 prese per il raccordo diretto degli impianti
- (10) Presa per il raccordo alla rete elettrica di alimentazione
- (11) Spia di segnalazione di inversione fase/neutro della rete elettrica (SWF)

EX EXB (modulo batteria opzionale)



- (12) Connettori per il raccordo dei moduli batteria (verso l'ASI o verso gli altri moduli batteria)
- (13) Connettori di riconoscimento automatico dei moduli batteria

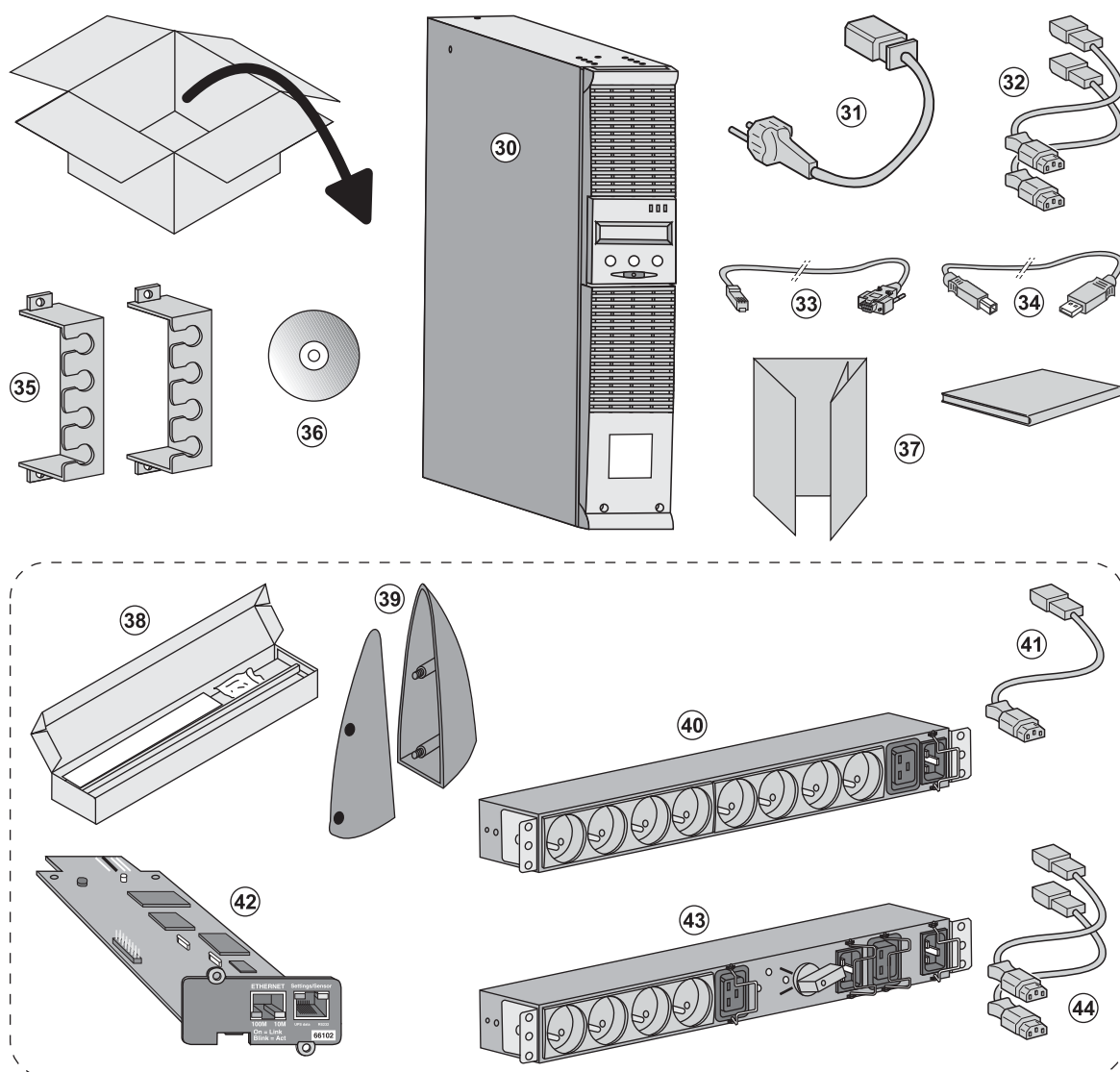
1.3 Pannello di visualizzazione e di comando



- (20) Spia impianti protetti
- (21) Spia di funzionamento deteriorato
- (22) Spia impianti non protetti
- (23) Display alfanumerico
- (24) Pulsante di uscita/ritorno
- (25) Pulsante di scorrimento
- (26) Pulsante di convalida
- (27) Pulsante di comando Avvio/Arresto (ON/OFF) dell'ASI e delle prese di uscita

2. Installazione

2.1 Apertura dell'imbballaggio e verifica del contenuto



(30) ASI EX 2200 / 3000 / 3000 XL.

(31) cavo di raccordo alla rete elettrica.

(32) 2 cavi per collegare gli impianti.

(33) Cavo di comunicazione RS232.

(34) Cavo di comunicazione USB.

(35) 2 sistemi di fissaggio dei cavi di alimentazione degli impianti.

(36) CD-ROM **Solution-Pac**.

(37) Documentazione.

Componenti forniti solo in alcune versioni o come opzione:

(38) Kit di montaggio all'interno di un armadio rack 19 pollici.

(39) 2 piedini di sostegno in posizione verticale (solo versione 2U).

(40) Modulo **FlexPDU** (opzione).

(41) cavo di raccordo del modulo **FlexPDU** all'ASI.

(42) Scheda di comunicazione **NMC** (opzione).

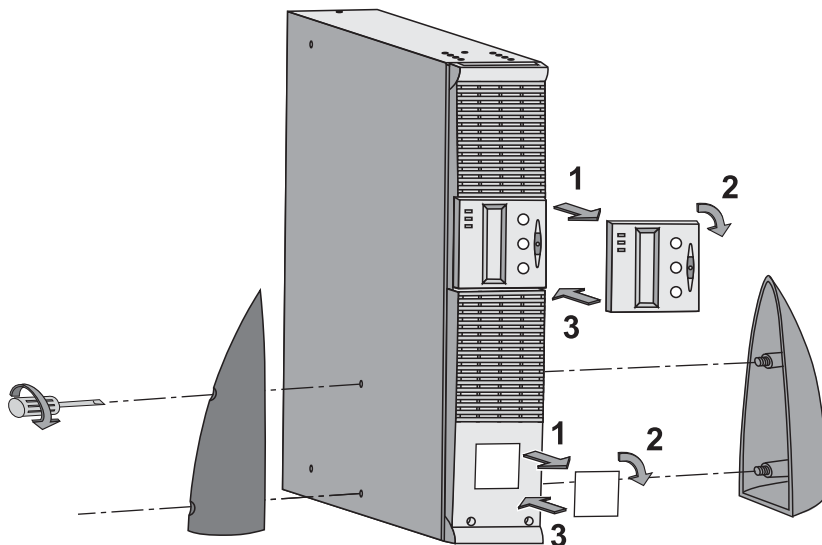
(43) Modulo **HotSwap MBP** (opzione).

(44) cavi di raccordo del modulo **HotSwap MBP** all'ASI.



Gli imballi devono essere eliminati nel rispetto della regolamentazione in vigore per i rifiuti. Per facilitare il trattamento differenziato, i vari materiali recano appositi simboli di riciclaggio.

2.2 Installazione nella posizione tower

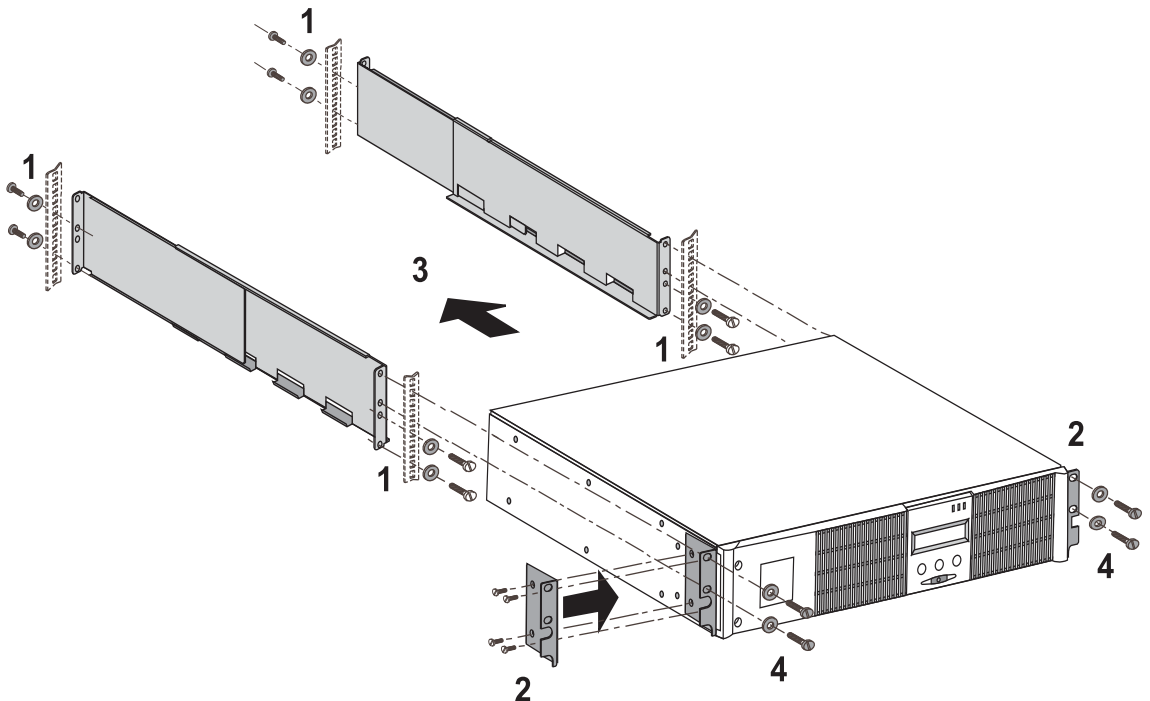


2.3 Installazione nella posizione slot

Si raccomanda di montare inizialmente il modulo batteria, quindi di montare sopra questo il modulo di potenza.



Per il montaggio del modulo sulle guide, seguire i passaggi da 1 a 4.



Le guide e il materiale necessario per il montaggio sono forniti da EATON.

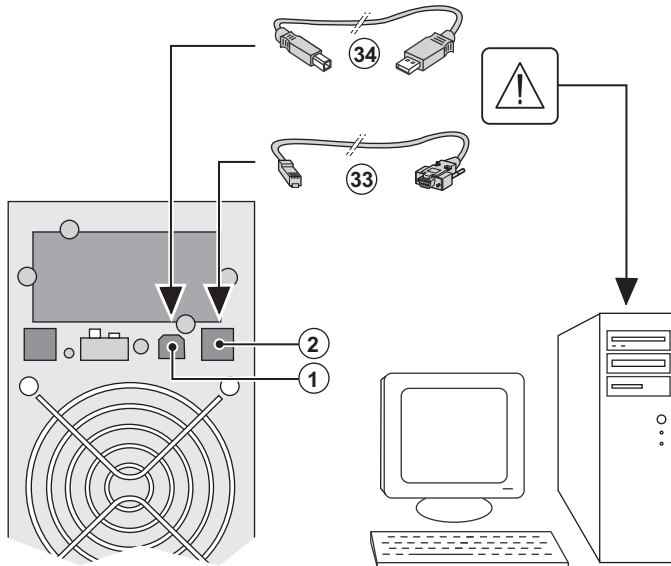
2. Installazione

2.4 Porte di comunicazione

Raccordo della porta di comunicazione RS232 o USB (facoltativa)



La porta di comunicazione RS232 e la porta di comunicazione USB non possono funzionare contemporaneamente.



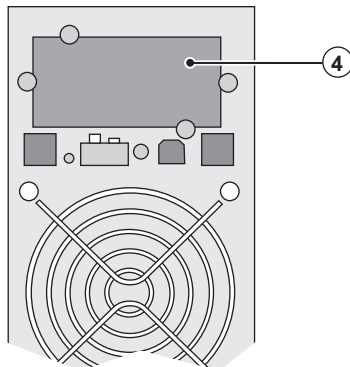
1 - Collegare il cavo di comunicazione RS 232 **(33)** o USB **(34)** alla porta seriale o USB dell'apparecchiatura informatica.

2 - Collegare l'altra estremità del cavo di comunicazione **(33)** o **(34)** alla porta di comunicazione USB **(1)** o RS232 **(2)** dell'ASI.

L'ASI è ora in grado di dialogare con un software di amministrazione, di configurazione o di sicurezza EATON.



Installazione delle schede di comunicazione (opzione)



Posizione della scheda di comunicazione (accesso ristretto)

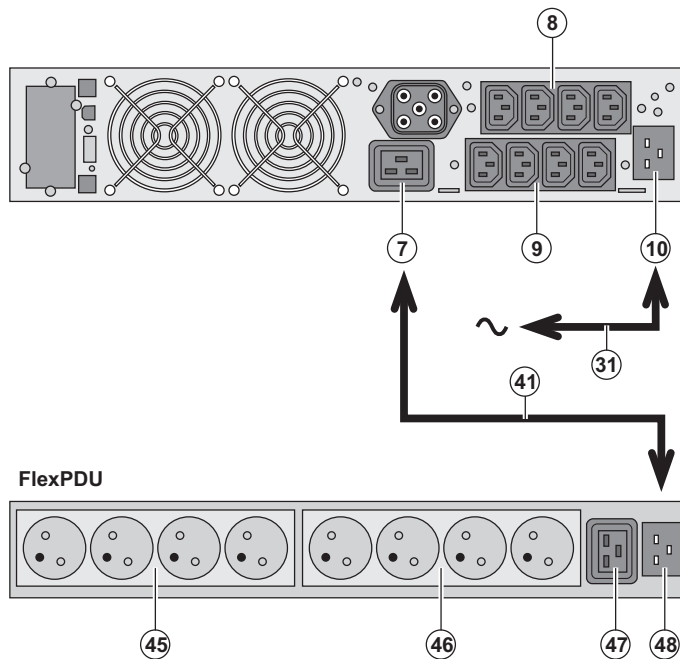


Non è necessario arrestare il funzionamento dell'ASI per installare una scheda di comunicazione:

- 1 - Rimuovere la piastra di copertura **(4)** dell'ASI fissata tramite viti.
- 2 - Inserire la scheda di comunicazione all'interno dell'apposito alloggiamento.
- 3 - Fissare la piastra della scheda con le apposite viti.

2. Installazione

2.5 Raccordi con un modulo FlexPDU (Power Distribution Unit) (Opzione)



1 - Collegare la presa d'entrata (10) dell'ASI alla rete elettrica mediante il cavo (31) fornito.

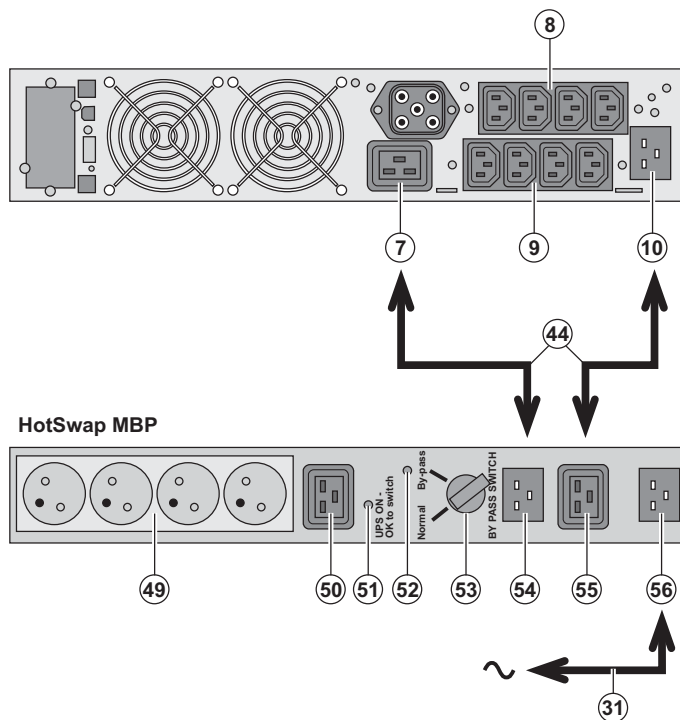
2 - Collegare la presa d'entrata della rete elettrica del modulo **FlexPDU** (48) alla presa di uscita (7) dell'ASI mediante il cavo (41) fornito. Questo cavo e queste prese sono contrassegnati in colore rosso.

3 - Collegare gli impianti alle prese (45), (46) e (47) del modulo **FlexPDU**. Queste prese variano a seconda della versione del modulo **FlexPDU**.

4 - Bloccare i cavi in posizione con le flange metalliche delle prese.

2.6 Raccordi con un modulo HotSwap MBP (Opzione)

La funzione del modulo **HotSwap MBP** è quella di consentire la manutenzione ed eventualmente la sostituzione dell'ASI senza interferire sull'alimentazione elettrica delle apparecchiature collegate (funzione **HotSwap**).



1 - Collegare la presa d'entrata (56) del modulo **HotSwap MBP** alla rete elettrica mediante il cavo (31) fornito.

2 - Collegare la presa d'entrata della rete elettrica dell'ASI (10) alla presa "UPS Input" (55) del modulo **HotSwap MBP**, mediante il cavo (44) fornito. Questi cavi e queste prese sono contrassegnati in colore blu.

3 - Collegare la presa di uscita dell'ASI (7) alla presa "UPS Output" (54) del modulo **HotSwap MBP**, mediante il cavo (44) fornito. Questi cavi e queste prese sono contrassegnati in colore rosso.

4 - Collegare gli impianti alle prese di uscita (49) e (50) del modulo **HotSwap MBP**. Queste prese variano a seconda della versione del modulo **HotSwap MBP**.

Attenzione: non utilizzare le prese di uscita (8) e (9) dell'ASI per alimentare gli impianti, perché in tal caso l'azionamento del commutatore (53) del modulo HotSwap MBP provocherebbe una interruzione dell'alimentazione di tali impianti. A tale proposito, consigliamo di non rimuovere la pellicola di protezione delle prese (8) e (9).



2. Installazione

Funzionamento del modulo HotSwap MBP



Il modulo **HotSwap MBP** utilizza un commutatore rotativo (53) a 2 posizioni:

Normale: gli impianti sono alimentati dall'ASI.

By-pass: gli impianti sono alimentati dalla rete elettrica.

Attivazione dell'ASI con il modulo HotSwap MBP:

- 1 - Verificare che l'ASI sia collegato correttamente al modulo **HotSwap MBP**.
- 2 - Portare il commutatore (53) in posizione Normale.
- 3 - Avviare l'ASI premendo il pulsante Avvio/Arresto (27) sulla parte anteriore dell'ASI.

Gli impianti sono ora alimentati dall'ASI.

La spia (51) "UPS ON - OK to switch" si accende sul modulo **HotSwap MBP**.

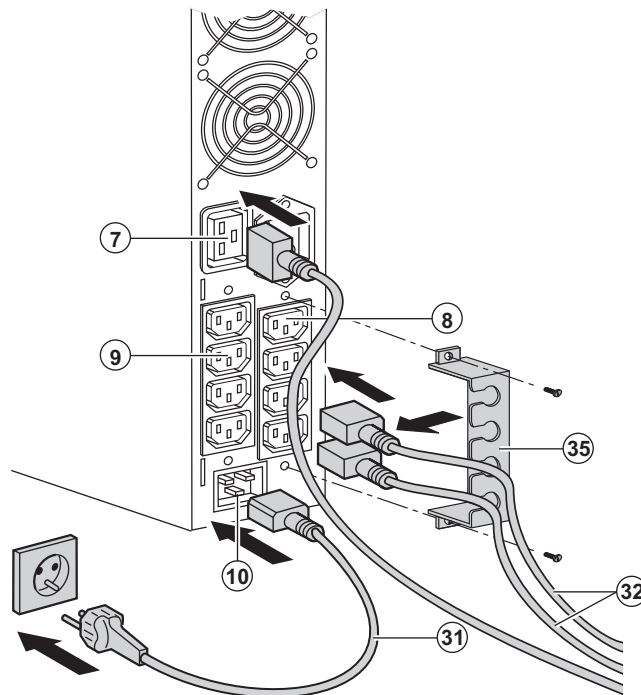
Test del modulo HotSwap MBP

- 1 - Portare il commutatore (53) in posizione By-pass e verificare che gli impianti continuino ad essere alimentati.
- 2 - Riportare il commutatore (53) in posizione Normale.

2.7 Raccordo di un ASI privo di modulo FlexPDU o HotSwap MBP



Verificare che le indicazioni riportate sulla targhetta di identificazione situata nella parte posteriore dell'apparecchio corrispondano alla rete elettrica di alimentazione ed ai consumi elettrici reali degli impianti.



- 1 - Collegare il cavo di alimentazione (31) fornito (250V - 16A) alla presa (10), poi alla presa della rete elettrica di alimentazione.
- 2 - Collegare gli impianti all'ASI per mezzo dei cavi (32).

Collegare preferibilmente gli impianti prioritari alle 4 prese (9) e gli impianti non prioritari alle 4 prese (8) programmabili a coppia (1 e 2).

Collegare gli impianti di maggior potenza alla presa (7) che può erogare una corrente da 16A.

Per poter programmare l'arresto delle prese (8) in fase di autonomia della batteria ed ottimizzare così la durata di tale autonomia, è necessario utilizzare il software di comunicazione EATON.

- 3 - Chiudere il raccordo fissando il sistema di mantenimento dei cavi (35).



Nota: l'apparecchio ricarica la batteria dal momento in cui è collegato alla rete elettrica, anche senza premere il pulsante (27).

Dopo la prima messa sotto tensione, è necessario attendere almeno 8 ore affinché la batteria possa fornire l'autonomia nominale.



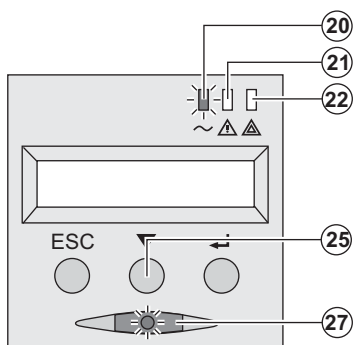
EX 3000 XL: all'UPS deve essere collegato almeno un modulo batteria supplementare EXB, poiché non sono presenti batterie interne.

Per ulteriori informazioni sulle connessioni, si rimanda al manuale di installazione del modulo batteria EXB (doc. n° 34008167)

3.1 Messa in servizio e funzionamento normale



Durante il primo avviamento, la presenza della rete elettrica è indispensabile per rilevare un eventuale errore di cablaggio. In seguito, l'apparecchio potrà essere avviato anche in assenza della rete elettrica.



Premere il pulsante (27) per 1 secondo circa.

► Il cicalino emette un bip e tutte le spie si accendono contemporaneamente.

► Il cicalino emette in seguito 2 bip durante l'autotest, poi il pulsante (27) rimane acceso per segnalare l'alimentazione delle prese di uscita.

Gli impianti collegati sono protetti dall'ASI.

► La spia (20) è accesa.

Se la spia (22) è accesa, si è verificato un guasto (vedere capitolo "Anomalie").

► Con il funzionamento in modalità normale, il pulsante di scorrimento (25) permette di leggere le misure effettuate sull'ASI (tensione delle reti elettriche AC Normale e AC By-pass, modalità di funzionamento, capacità della batteria e numero di serie dell'ASI).



Personalizzazione dell'ASI

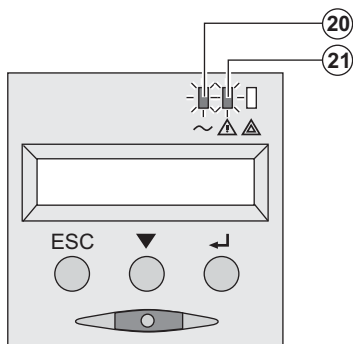


Se si ritiene di dover effettuare una personalizzazione specifica dell'ASI, si raccomanda di entrare in modalità di personalizzazione dell'ASI in questo passaggio.

Questa modalità è accessibile agendo sui pulsanti del pannello di comando o tramite il software **Personal Solution-Pac** per Windows incluso nel CD-ROM **Solution-Pac** di Eaton.

3.2 Funzionamento su batteria

Passaggio su batteria



► Quando la rete elettrica non è più disponibile, gli impianti collegati all'ASI continuano ad essere alimentati. L'energia fornita proviene dalla batteria.

► Le spie (20) e (21) sono accese.

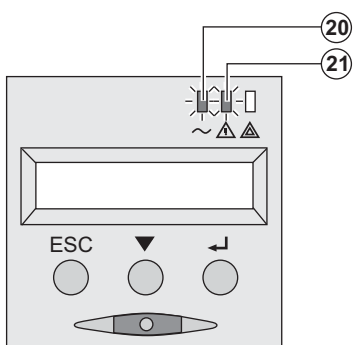
► L'allarme acustico emette un bip ogni 10 secondi.

Gli impianti collegati sono alimentati tramite la batteria.

Il display indica l'autonomia rimanente della batteria.



Soglia di preallarme per fine autonomia della batteria



► Le spie (20) e (21) sono accese.

► L'allarme acustico emette un bip ogni 3 secondi.

L'autonomia rimanente della batteria è in esaurimento.

Chiudere tutte le applicazioni degli impianti collegati poiché l'arresto automatico dell'ASI è imminente.



3. Utilizzo

Fine dell'autonomia della batteria



- ▶ Tutte le spie sono spente.
- ▶ L'allarme acustico non emette alcun bip.



L'ASI è completamente all'arresto.

3.3 Ritorno della rete elettrica

Dopo l'interruzione, l'ASI si riavvia automaticamente al ritorno della rete elettrica (a meno che questa funzione non sia stata disattivata tramite la personalizzazione dell'ASI) e gli impianti sono nuovamente alimentati.

3.4 Arresto dell'ASI



Tenere premuto il pulsante (27) per almeno 2 secondi.

Gli impianti collegati all'ASI non sono più alimentati.

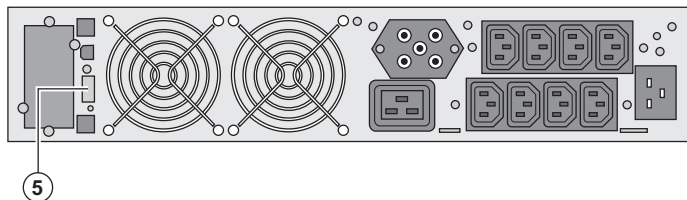
3.5 Utilizzo delle funzioni di controllo remoto dell'ASI

EX dispone, a scelta, di due dispositivi di controllo remoto.

▶ **RPO**: si tratta di una funzione di arresto remoto dell'ASI (**Remote Power Off**) che consente di mettere fuori tensione l'insieme delle apparecchiature collegate all'ASI mediante un contatto di utenza remoto. Il riavvio dell'ASI richiede un intervento manuale.

▶ **ROO**: si tratta di una funzione di On/Off remoto dell'ASI (**Remote ON/OFF**) che consente di controllare l'azione del pulsante (27) a livello remoto.

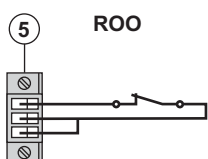
Queste funzioni si ottengono tramite l'apertura del contatto che si raccorda tra i pin del connettore appropriati (5) sul lato posteriore dell'ASI (cfr. figure di seguito).



Collegamento e test dei comandi remoti

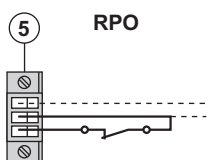


- 1 - Verificare che l'ASI sia in posizione di arresto e che la rete elettrica di alimentazione sia scollegata.
- 2 - Rimuovere il connettore (5) svitando le viti.
- 3 - Collegare un contatto secco isolato, di tipo normalmente chiuso (60 Vdc / 30 Vac max, 20 mA max, sezione del cavo pari a 0,75 mm²) tra i due pin del connettore (5), cfr. figura.



Contatto aperto: arresto dell'ASI.
Contatto chiuso: accensione dell'ASI (ASI collegato alla rete e rete presente).

Nota: il comando On/Off locale tramite il pulsante (27) rimane prioritario rispetto al comando remoto.



Contatto aperto: arresto dell'ASI.

Per ritornare in modalità di funzionamento normale, disattivare il contatto esterno di arresto remoto e riavviare l'ASI tramite il pulsante (27).

4 – Inserire il connettore (5) nel suo alloggiamento sul lato posteriore dell'ASI.

5 – Collegare e riavviare l'ASI secondo le procedure descritte in precedenza.

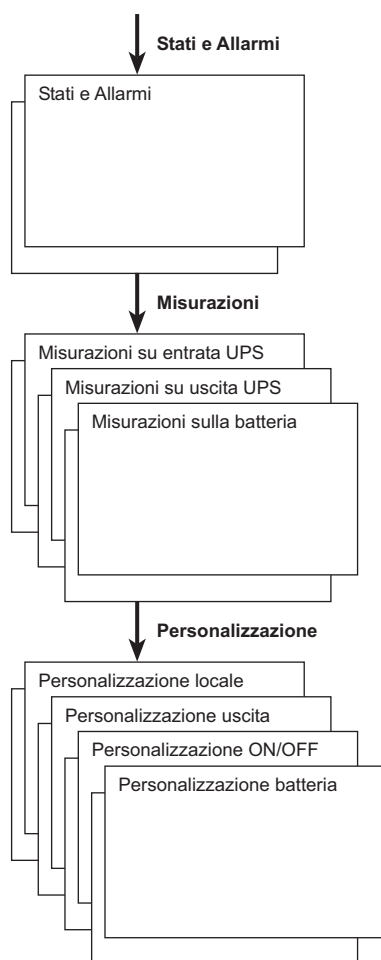
6 – Attivare il contatto esterno di arresto remoto per testare la funzione.



Attenzione: questo connettore deve essere esclusivamente collegato a circuiti di livello TBTS (Tensione di sicurezza molto bassa)

4. Accesso alle misure e personalizzazione

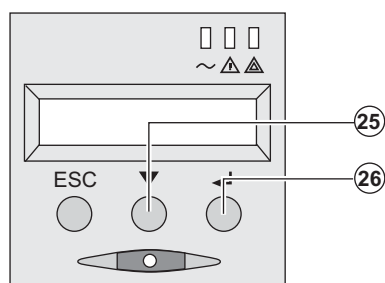
4.1 Sinottico del display



4.2 Accesso alle misure

Premendo ripetutamente il pulsante di scorrimento (25) è possibile accedere alle indicazioni di stato e agli eventuali allarmi, nonché alle misure di tensione, corrente, frequenza, potenza erogata e autonomia della batteria.

4.3 Personalizzazione tramite il pannello di comando



- Premere ripetutamente il pulsante di scorrimento (25) per accedere al menu di personalizzazione.
- Il pulsante di convalida (26) permette di accedere alle diverse impostazioni.
- Infine, confermare l'impostazione effettuata premendo nuovamente il pulsante di convalida (26).

Personalizzazione locale

Funzione	Configurazione di fabbrica	Altre impostazioni
Lingua	Inglese	Francese, Spagnolo, Tedesco, Italiano, Olandese
Allarme acustico	Attivo	Disattivo

4. Accesso alle misure e personalizzazione

Personalizzazione dell'uscita

Funzione	Configurazione di fabbrica	Altre impostazioni	Commenti
Tensione di uscita ⁽¹⁾	230 Volt AC	200/208/220/240 Volt AC	
Convertitore di frequenza ⁽¹⁾	Disattivo	Attivo	Gli impianti collegati non vengono mai trasferiti sulla via By-pass
Frequenza di uscita ⁽¹⁾	Selezione automatica	50/60 Hz	Selezionabile dall'utente unicamente se la funzione del convertitore di frequenza è attiva
Trasferimento sulla rete elettrica AC By-pass ⁽¹⁾	Se la rete elettrica AC By-pass rientra nella tolleranza	Se la rete elettrica AC By-pass è fuori tolleranza	
Livello di sovraccarico ⁽¹⁾	102%	50 / 70%	Allarme in caso di superamento della soglia

(1) Questi parametri possono essere modificati unicamente quando l'ASI è in posizione OFF. I commenti dettagliati sono disponibili nel software **Personal Solution-Pac**.

Personalizzazione Avvio/Arresto (ON/OFF)

Funzione	Configurazione di fabbrica	Altre impostazioni	Commenti
Avviamento su batteria	Attivo	Disattivo	
Riavviamento automatico	Attivo	Disattivo	Riavviamento automatico dell'ASI al ritorno della rete elettrica
Risparmio energetico	Disattivo	Attivo	Se la funzione è attiva: arresto automatico dell'autonomia della batteria al livello di potenza <5%
Rilevazione di inversione fase/neutro (SWF)	Disattivo	Attivo	Se la funzione è attiva: in caso di rilevazione di inversione fase/neutro, l'ASI rimane in posizione OFF

Personalizzazione batteria

Funzione	Configurazione di fabbrica	Altre impostazioni	Commenti
Test della batteria	Tutte le settimane	Nessun test / giornaliero / mensile	
Impostazione dell'autonomia batteria	Rilevazione automatica del numero di moduli batteria	Da 65 a 400 Ah	
Protezione della batteria dalle scariche profonde	Attivo	Disattivo	Se la funzione è disattiva: perdita della garanzia EATON

4.4 Personalizzazione tramite software esterno



- Inserire il CD ROM **Solution-Pac** nell'apposito lettore.
 - Nella prima schermata del programma che appare, selezionare "Soluzione Punto a Punto" e seguire le istruzioni visualizzate per installare il software **Personal Solution-Pac**.
 - Selezionare quindi "Configurazione", "Configurazione avanzata" e "Parametri UPS".
- Tenere presente che le versioni Linux/Unix/MacOS del software **Personal Solution-Pac** non prevedono questa possibilità.

5. Manutenzione

5.1 Riparazione dei guasti



Se la spia (21) o (22) è accesa, si è verificata una anomalia di funzionamento o è scattato un allarme. Utilizzare il pulsante di uscita/ritorno (24) per arrestare l'allarme acustico.

	Sintomo	Diagnostica	Rimedio
1	L'ASI non si avvia, il display alfanumerica indica: COLD START NOK CHECK AC WIRING	Le rete elettrica è assente oppure è collegata all'uscita dell'ASI.	Verificare che l'ASI sia correttamente collegato alla rete elettrica.
2	La spia (22) è accesa e la spia SWF (11) è accesa sulla parte posteriore dell'ASI. Il display alfanumerico indica: INV FASE/NEUTRO VERIF. COLLEG.	Inversione di fase della rete di alimentazione. L'ASI rimane all'arresto.	<ul style="list-style-type: none"> ► Per le reti elettriche del tipo neutro alla massa, per correggere il cablaggio: scollegare e ruotare la presa di rete di 180° (tipo DIN-SCHUKO) oppure rivolgersi a un elettricista per modificare il raccordo. ► Per qualsiasi altro tipo di rete, disattivare la rilevazione.
3	La spia (22) è accesa, il display alfanumerica indica: NO BATTERIA VERIFICA COLLEGA	La batteria non è raccordata correttamente.	Verificare il raccordo della batteria (vedere §5.2, Sostituzione del modulo batteria).
4	La spia (22) è accesa, il display alfanumerica indica: GUASTO BATTERIE CHIAMA SERVICE	È stato rilevato un guasto alla batteria.	Procedere alla sostituzione della batteria (vedere §5.2, Sostituzione del modulo batteria). Rivolgersi al servizio post vendita.
5	La spia (21) è accesa, il display alfanumerica indica: SOVRACCARICO RIDURRE CARICO	Il tasso di carico supera il livello di sovraccarico configurato o supera la capacità dell'ASI.	Verificare la potenza assorbita dagli impianti e scollegare gli impianti non prioritari. Verificare il livello di sovraccarico configurato.
6	La spia (22) è accesa, il display alfanumerica indica: NON PROTETTO SOVRACC. USCITA	L'ASI è in sovraccarico. Gli impianti collegati sono alimentati direttamente dalla rete elettrica attraverso il by-pass.	Verificare la potenza assorbita dagli impianti e scollegare gli impianti non prioritari.
7	La spia (22) è accesa, il display alfanumerica indica: RIDURRE CARICO RIPARTENZA UPS	In seguito a sovraccarichi ripetuti, l'ASI è bloccato in posizione by-pass. Gli impianti collegati sono alimentati direttamente dalla rete elettrica.	Verificare la potenza assorbita dagli impianti e scollegare gli impianti non prioritari. Arrestare e riavviare l'ASI per ritornare al funzionamento normale.
8	La spia (22) è accesa, il display alfanumerica indica: DIF SOVRACCARICO RIDURRE CARICO	L'ASI si è arrestato automaticamente a causa di un grave sovraccarico.	Verificare la potenza assorbita dagli impianti e scollegare gli impianti non prioritari.
9	La spia (22) è accesa, il display alfanumerica indica: C.C. CARICABATT VERIFICA COLLEGA	L'ASI si è arrestato automaticamente a causa di un cortocircuito in uscita dall'ASI.	Verificare l'impianto in uscita dall'ASI (cablaggio, guasto a una apparecchiatura).
10	La spia (22) è accesa, il display alfanumerica indica: GUASTO INTERNO CHIAMA SERVICE	L'ASI presenta un guasto interno. Due casi possibili: <ul style="list-style-type: none"> ► gli impianti collegati continuano ad essere alimentati, ma direttamente dalla rete elettrica tramite il By-pass, ► gli impianti collegati non sono più alimentati. 	Rivolgersi al servizio post vendita.
11	Il display alfanumerica indica: REMOTE POWER OFF RPO	L'azione sul contatto "Arresto d'emergenza" (RPO) ha provocato l'arresto dell'ASI.	Riportare il contatto in posizione normale e premere il pulsante ON/OFF per riavviare l'ASI.

Anomalie su un ASI dotato di modulo HotSwap MBP



	Sintomo	Diagnostica	Rimedio
12	Gli impianti collegati non sono alimentati quando il commutatore rotativo (49) del modulo HotSwap MBP si trova in posizione By-pass.	<ul style="list-style-type: none"> ▶ Gli impianti sono collegati in uscita dall'ASI anziché essere collegati al modulo HotSwap MBP. ▶ Il cavo della rete elettrica di alimentazione è collegato in entrata dell'ASI anziché essere collegato al modulo HotSwap MBP. 	Verificare il cablaggio tra l'ASI e il modulo HotSwap MBP (vedere §2.6).
13	Gli impianti collegati non sono alimentati quando il commutatore rotativo (49) del modulo HotSwap MBP si trova in posizione Normale.	<ul style="list-style-type: none"> ▶ L'ASI è all'arresto. ▶ Il cablaggio tra l'ASI e il modulo HotSwap MBP non è corretto. 	<ul style="list-style-type: none"> ▶ Avviare l'ASI. ▶ Verificare il cablaggio tra l'ASI e il modulo HotSwap MBP (vedere §2.6).
14	Gli impianti collegati non vengono alimentati in caso di interruzione della rete elettrica.	<ul style="list-style-type: none"> ▶ Il commutatore rotativo (49) del modulo HotSwap MBP si trova in posizione By-pass. ▶ Il cablaggio tra l'ASI e il modulo HotSwap MBP non è corretto. 	<ul style="list-style-type: none"> ▶ Portare il commutatore rotativo (49) del modulo HotSwap MBP in posizione Normale. ▶ Verificare il cablaggio tra l'ASI e il modulo HotSwap MBP (vedere §2.6).

In caso di guasto tale da comportare l'arresto dell'ASI, premere il pulsante Avvio/Arresto (27) per uscire dallo stato di guasto.

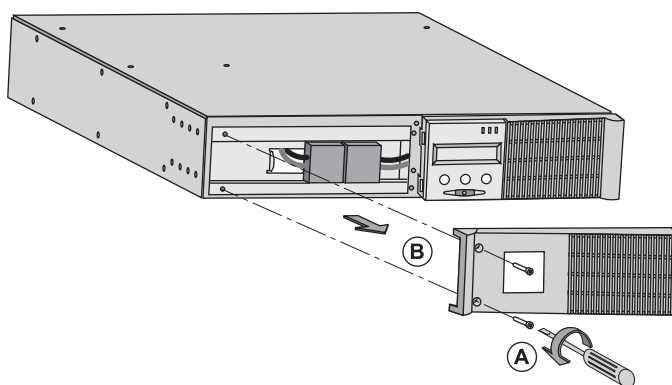
5.2 Sostituzione del modulo batteria

Richiamo sulle istruzioni di sicurezza:

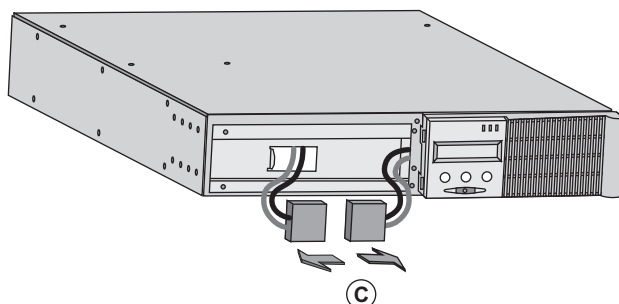
La batteria presenta un rischio di elettrocuzione ed una corrente di cortocircuito elevata. Per qualsiasi intervento sugli elementi della batteria, occorre prendere le seguenti precauzioni:

- ▶ Togliere orologi, anelli, fedi, braccialetti o qualsiasi altro oggetto metallico,
- ▶ Utilizzare utensili con impugnatura isolata.

Smontaggio del modulo batteria

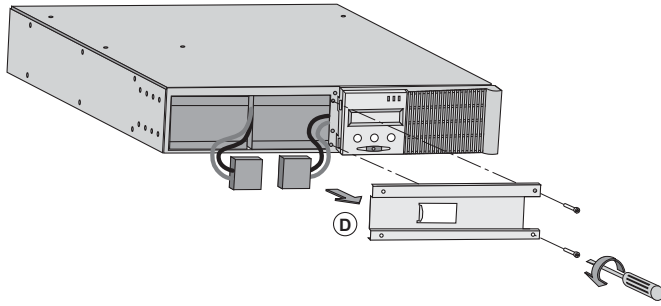


- A** - Svitare la sezione sinistra della parte anteriore fissata da 2 viti.
- B** - Rimuovere questa sezione.

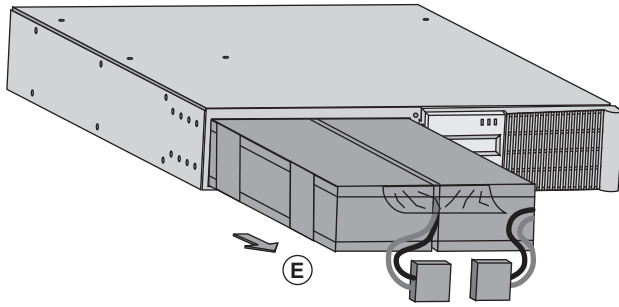


- C** - Scollegare il gruppo batteria separando i 2 connettori (evitando rigorosamente di tirare i cavi).

5. Manutenzione



D - Rimuovere il coperchio metallico di protezione della batteria fissato da 2 viti.



E - Estrarre il gruppo batteria tirando sulla linguetta di plastica e procedere alla sostituzione.

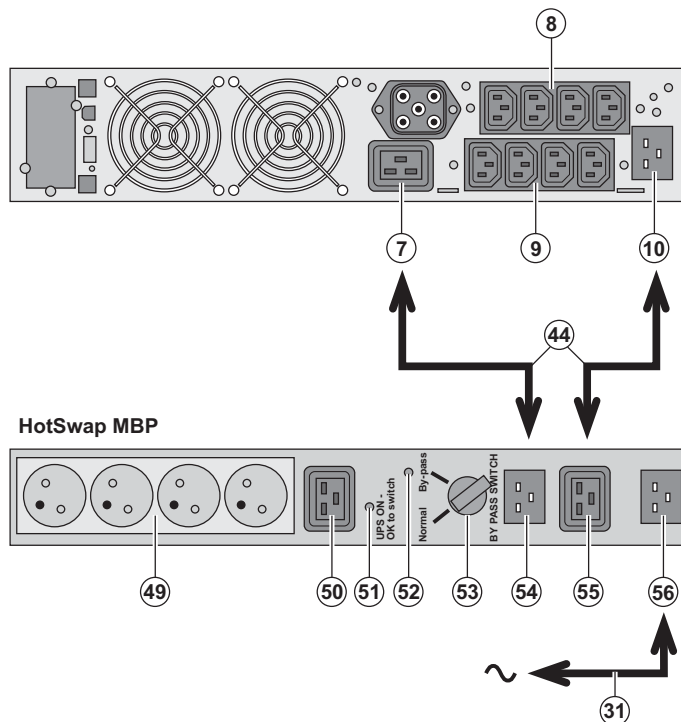
Rimontaggio del nuovo modulo batteria

Ripetere le operazioni sopra descritte in senso inverso.



- Per preservare la sicurezza e lo stesso livello di performance, utilizzare elementi batteria forniti da EATON.
- Fare attenzione ad inserire correttamente i componenti maschio e femmina del connettore durante il raccordo.

5.3 Manutenzione di un ASI dotato di modulo HotSwap MBP



La funzione del modulo **HotSwap MBP** è quella di consentire la manutenzione ed eventualmente la sostituzione dell'ASI senza interferire sull'alimentazione elettrica delle apparecchiature collegate (funzione **HotSwap**).

Manutenzione:

- 1 - Portare il commutatore (53) in posizione By-pass: la spia rossa del modulo **HotSwap MBP** si accende per segnalare che gli impianti sono alimentati direttamente dalla rete elettrica.
- 2 - Arrestare l'ASI premendo il pulsante Avvio/Arresto (27) sulla parte anteriore dell'ASI: la spia (51) "UPS ON - OK to switch" si spegne e a questo punto l'ASI può essere scollegato e sostituito.

Ritorno al funzionamento normale:

- 1 - Verificare che l'ASI sia collegato correttamente al modulo **HotSwap MBP**.
- 2 - Avviare l'ASI premendo il pulsante Avvio/Arresto (27) sulla parte anteriore dell'ASI: la spia (51) "UPS ON - OK to switch" si accende sul modulo **HotSwap MBP** (in caso contrario si è verificato un errore di raccordo del modulo **HotSwap MBP** all'ASI).
- 3 - Portare il commutatore (53) in posizione Normale: la spia rossa del modulo **HotSwap MBP** si spegne.

5.4 Centro di formazione

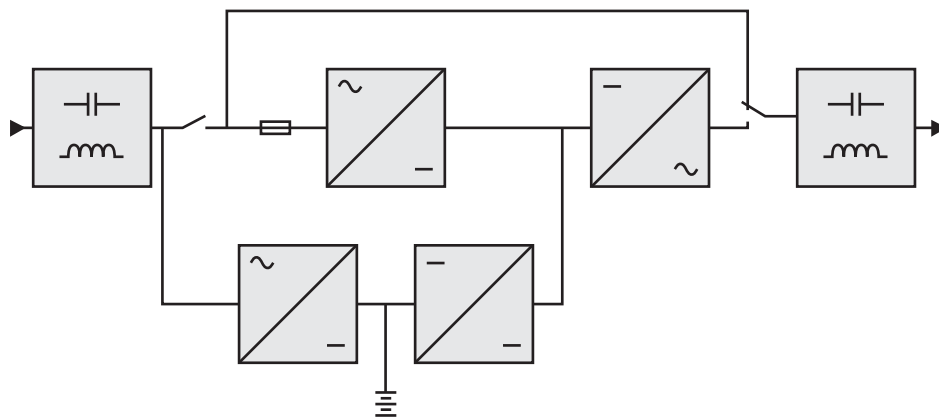


Per tenere sotto controllo l'impianto EATON ed intervenire al primo livello, viene da noi messo a disposizione dei clienti un programma completo di formazione tecnica in lingua inglese e in lingua francese.

For further information, please visit our website: www.eaton.com

6. Allegati

6.1 Specifiche tecniche



	EX 2200	EX 3000	EX 3000 XL	EX EXB
Potenza di uscita	2200 VA ⁽¹⁾ / 1980 W	3000 VA ⁽²⁾ / 2700 W ⁽³⁾	3000 VA ⁽²⁾ / 2700 W ⁽³⁾	
Rete elettrica di alimentazione <ul style="list-style-type: none"> ▶ Tensione in ingresso nominale ▶ Campo di tensione in ingresso ▶ Frequenza ▶ Fattore di potenza ▶ Corrente di fuga 	Monofase 230 V 110 / 140 / 200 V a 284 V ⁽⁴⁾ 50/60 Hz (selezione automatica) > 0,95 < 2 mA			
Uscita utenza <ul style="list-style-type: none"> ▶ Tensione ▶ Frequenza ▶ Distorsione armonica ▶ Capacità di sovraccarico 	Monofase 230 V ±3% ⁽⁵⁾ 50/60 Hz ±0,5% ⁽⁶⁾ < 4% su carico lineare, < 6% su carico non lineare 102% permanente, 105% 20s, > 130% 1,5s			
▶ Corrente	9,6 A ⁽⁷⁾	13 A ⁽⁸⁾		
Batteria	6 x 12V - 7 Ah, al piombo, a tenuta ermetica, senza manutenzione	6 x 12V - 9 Ah, al piombo, a tenuta ermetica, senza manutenzione	Senza batteria interna	2 catene da 6 x 12 V - 9 Ah, al piombo, a tenuta ermetica, senza manutenzione
Ambiente <ul style="list-style-type: none"> ▶ Temperatura di funzionamento ▶ Umidità ▶ Temperatura di stoccaggio ▶ Altitudine 	0°C a 40°C 20% à 90% (senza condensazione) -25°C a 40°C 1000 m			
▶ Soglia di rumore	< 46 dBA		< 50 dBA	

(1) In base alla tensione in uscita selezionata tra 200 V / 208 V / 220 V / **230 V** / 240 V, la potenza in uscita è di 1980 VA / 1980 VA / 2200 VA / **2200 VA** / 2200 VA.

(2) In base alla tensione in uscita selezionata tra 200 V / 208 V / 220 V / **230 V** / 240 V, la potenza in uscita è di 2700 VA / 2700 VA / 3000 VA / **3000 VA** / 3000 VA.

(3) Potenza di uscita da 2700 W in versione standard e da 2400 W con un modulo **EXB**.

(4) Valori forniti al 33% / 66% / 100% della potenza dell'ASI.

(5) Regolabile tra 200 V / 208 V / 220 V / 230 V / 240 V con il software UPS Config.

(6) Modalità convertitore di frequenza programmabile mediante il software **UPS Config**.

(7) In base alla tensione in uscita selezionata tra 200 V / 208 V / 220 V / **230 V** / 240 V, la corrente massima in uscita è di 9,9 A / 9,5 A / 10 A / **9,6 A** / 9,2 A.

(8) In base alla tensione in uscita selezionata tra 200 V / 208 V / 220 V / **230 V** / 240 V, la potenza in uscita è di 13,5 A / 13 A / 13,6 A / **13 A** / 12,5 A.

6.2 Glossario

AC By-pass	Via derivata dalla rete elettrica di alimentazione, comandata dall'ASI per consentire l'alimentazione diretta degli impianti mediante la rete elettrica in caso di sovraccarico o di malfunzionamento dell'ASI.
AC Normale	Si tratta della normale rete elettrica di alimentazione dell'ASI.
ASI	Alimentazione Senza Interruzione
Autonomia	Periodo di tempo durante il quale gli impianti vengono alimentati dall'ASI funzionante su batteria.
Avviamento su batteria	Rende possibile la messa sotto tensione degli impianti collegati all'ASI in caso di assenza della rete elettrica di alimentazione. In tal caso l'ASI funziona unicamente su batteria.
Avvio/Arresto ASI mediante software	Permette di autorizzare o impedire al software di protezione dei sistemi informatici l'attivazione delle sequenze di Avvio/Arresto dell'ASI.
Convertitore di frequenza	Funzione che permette di convertire la frequenza della rete elettrica tra l'entrata e l'uscita dell'ASI (50 Hz -> 60 Hz o 60 Hz -> 50 Hz).
FlexPDU	Modulo di prese di uscita ASI per l'installazione a pannello. Esistono diverse tipologie di moduli, a seconda dei diversi tipi di prese.
HotSwap MBP	Modulo di derivazione manuale dell'ASI per consentirne la manutenzione. Esistono diverse tipologie di moduli, a seconda dei diversi tipi di prese.
Impianti	Apparecchi o dispositivi raccordati in uscita dall'ASI.
Percentuale di caricamento	Rapporto tra la potenza assorbita dagli impianti collegati all'ASI e la potenza massima erogabile dall'ASI.
Personalizzazione	Programmazione di alcuni parametri diversa dalla configurazione standard di fabbrica. Alcune funzioni dell'ASI possono essere modificate mediante il software Personal Solution-Pac al fine di soddisfare meglio le necessità dell'utente.
Prese programmabili	Prese che possono essere disinserite automaticamente durante l'autonomia della batteria (temporizzazione di apertura programmabile mediante il software Personal Solution Pac). L'ASI è dotato di 2 gruppi di 2 prese programmabili.
Scarica profonda	Livello di scarica della batteria oltre il minimo consentito, tale da provocare danni irreversibili alla batteria.
Soglia di preallarme per fine autonomia della batteria	Si tratta di un valore minimo del livello di tensione della batteria che permette di rilevare la fine imminente dell'autonomia della batteria ed assumere pertanto le disposizioni previste in caso di interruzione di corrente agli impianti.
Test della batteria	Test interno dell'ASI che permette di verificare lo stato della batteria.

EX

2200 RT 2U

2200 RT 3U

3000 RT 2U

3000 RT 3U

3000 RT 3U XL

EXB RT 3U

Manual de instalación y
empleo



Pulsar Series

Les agradecemos que hayan optado por un producto EATON para la seguridad de sus aplicaciones.

La gama **Pulsar EX** ha sido elaborada con el mayor esmero.

Para explotar al máximo las altas prestaciones de su **SAI (Sistema de Alimentación Ininterrumpida)**, les aconsejamos que se tomen el tiempo necesario para leer este manual.

Antes de la instalación de **Pulsar EX**, leerse el cuaderno con las instrucciones de seguridad a seguir. Seguir, a continuación, las instrucciones del presente manual.

Les invitamos a que descubran la oferta de EATON así como las opciones de la gama **Pulsar EX** visitando nuestro sitio WEB: www.eaton.com, o poniéndose en contacto con su representante EATON.

Respeto medioambiental

La sociedad EATON se ha comprometido en aplicar una política de protección y preservación del medio ambiente. Nuestros productos han sido desarrollados siguiendo una estrategia de ecodiseño.

Sustancias

Este producto no contiene ni CFC, ni HCFC, ni amianto.

Embalaje

Para mejorar el tratamiento de los vertidos y facilitar el reciclaje, separen los elementos del embalaje.

- ▶ La caja de cartón está hecha con más de un 50% de cartón reciclado.
- ▶ Las bolsas y las bolsitas son de polietileno.
- ▶ Los materiales que forman el embalaje son reciclables y están marcados con el símbolo de identificación



Materiales	Abreviatura	Número en el símbolo
Polietileno Teraftalate	PET	01
Polietileno de Alta Densidad	HDPE	02
Polivinilo de Cloruro	PVC	03
Polietileno de Baja Densidad	LDPE	04
Polipropileno	PP	05
Poliestireno	PS	06

Cumplir con las normativas locales vigentes para la eliminación del embalaje.

Final de vida útil

La sociedad EATON se ha comprometido en tratar los productos al final de su vida útil de acuerdo con lo dispuesto en las normativas locales.

EATON trabaja con empresas encargadas de la recogida y eliminación de nuestros productos al final de su vida útil.

Producto

El producto está hecho con materiales reciclables.

Su desmantelamiento y destrucción tendrán que realizarse conforme a lo dispuesto en las normativas locales vigentes relativas a los vertidos.

El producto, al final de su vida útil, tendrá que ser depositado en un centro de tratamiento de vertidos eléctricos y electrónicos.

Batería

El producto contiene baterías de plomo que tendrán que ser tratadas conforme a lo dispuesto en las normativas locales vigentes relativas a las baterías.

Para cumplir lo dispuesto en esas normativas y eliminar la batería limpiamente, se puede extraer la misma del producto.

Introducción

Pictogramas utilizados



Instrucciones a seguir obligatoriamente



Informaciones, consejos, ayuda.



Indicación visual de obligatoria observancia



Operación a realizar.



Señalización acústica.

Los símbolos convencionales adoptados para representar los indicadores luminosos en las ilustraciones son los siguientes:



Indicador luminoso apagado.



Indicador luminoso encendido.



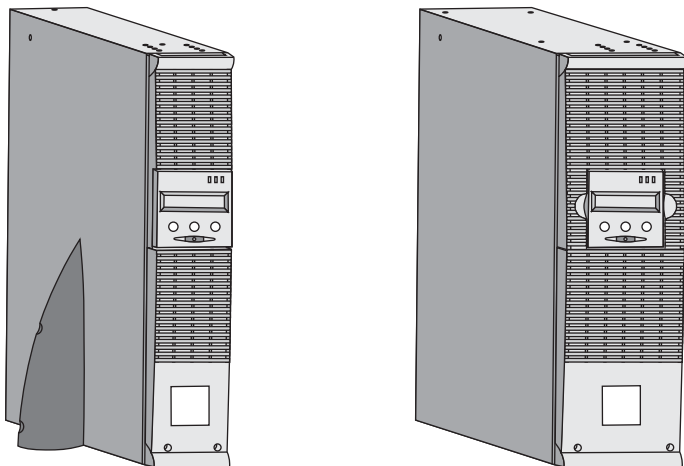
Indicador luminoso parpadeando.

1. Presentación	
1.1 Posiciones estándar	6
Posición torre	6
Posición rack	6
1.2 Caras traseras	7
Pulsar EX 2200 / 3000	7
Pulsar EX EXB (módulo batería opcional)	7
1.3 Panel de visualización y de mando	7
2. Instalación	
2.1 Desembalaje y comprobación del contenido	8
2.2 Instalación en posición de torre	9
2.3 Instalación en posición de rack	9
2.4 Puertos de comunicación	10
Conexión del puerto de comunicación RS232 o USB (facultativo)	10
Instalación de las tarjetas de comunicación (opcional)	10
2.5 Conexiones a un módulo FlexPDU (Power Distribution Unit)	11
2.6 Conexiones a un módulo HotSwap MBP	11
Funcionamiento del módulo HotSwap	12
2.7 Conexiones de un SAI sin módulo FlexPDU o HotSwap MBP	12
3. Utilización	
3.1 Puesta en servicio y en funcionamiento normal	13
3.2 Funcionamiento con batería	13
3.3 Vuelta de la corriente eléctrica	14
3.4 Parada del SAI	14
3.5 Utilización de las funciones de mando a distancia del SAI	14
4. Personalización y acceso a las medidas	
4.1 Descripción sinóptica del visualizador	16
4.2 Acceso a las medidas	16
4.3 Personalización mediante el panel de mando	16
4.4 Personalización mediante el software externo	17
5. Mantenimiento	
5.1 Solución de averías	18
Anomalías en un SAI equipado con un módulo HotSwap MBP	19
5.2 Sustitución del módulo de la batería	19
Recordatorio de las instrucciones de seguridad	19
Desmontaje del módulo de batería	19
Montaje del nuevo módulo de batería	20
5.3 Mantenimiento de un SAI equipado con un módulo HotSwap MBP	20
5.4 Centro de formación	21
6. Anexos	
6.1 Especificaciones técnicas	22
6.2 Glosario	23

1. Presentación

1.1 Posiciones estándar

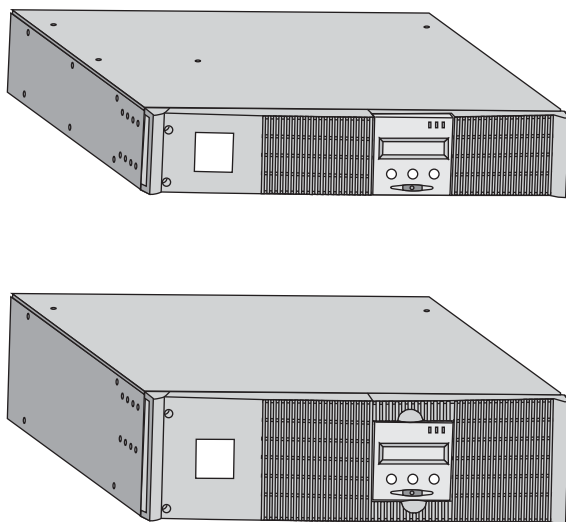
Posición de torre



Cuadro de dimensiones (A x L x P) en mm	
Pulsar EX 2200 RT 2U	440 x 86 x 640
Pulsar EX 2200 RT 3U	440 x 131 x 490
Pulsar EX 3000 RT 2U	440 x 86 x 640
Pulsar EX 3000 RT 3U	440 x 131 x 490
Pulsar EX 3000 RT 3U XL	440 x 131 x 490
Pulsar EX EXB RT 3U	440 x 131 x 490

Cuadro de masas en kg.	
Pulsar EX 2200 RT 2U	31
Pulsar EX 2200 RT 3U	30
Pulsar EX 3000 RT 2U	31
Pulsar EX 3000 RT 3U	30
Pulsar EX 3000 RT 3U XL	17
Pulsar EX EXB RT 3U	42

Posición de rack



1. Presentación

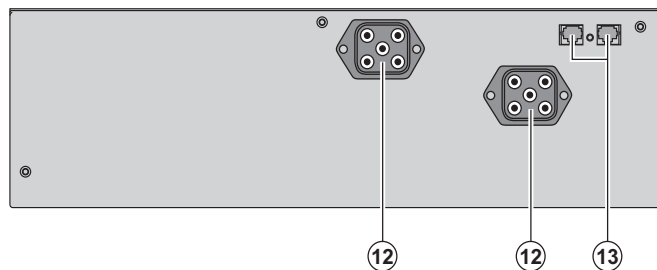
1.2 Caras traseras

Pulsar EX 2200 / 3000 / 3000 XL



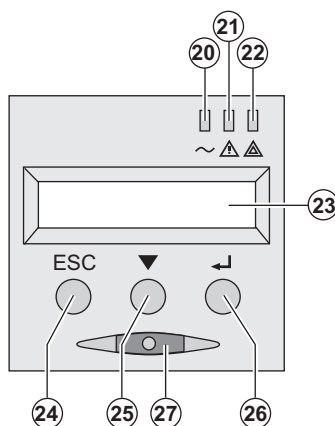
- (1) Puerto de comunicación USB
- (2) Puerto de comunicación RS232
- (3) Conector de reconocimiento automático de un módulo de batería adicional
- (4) Emplazamiento para tarjeta de comunicación opcional.
- (5) Conector para la conexión de un mando a distancia de Marcha/Parada y de una parada de emergencia.
- (6) Conector para la conexión de un módulo de batería adicional
- (7) Toma 16A para la conexión de los equipos
- (8) 2 grupos de 2 tomas programables para la conexión de los equipos
- (9) Grupo de 4 tomas para la conexión de los equipos
- (10) Toma para la conexión a la red eléctrica de alimentación
- (11) Indicador luminoso de señalización de inversión fase/neutro de la red eléctrica (SWF)

Pulsar EX EXB (módulo de batería opcional)



- (12) Conectores para la conexión de los módulos de batería (hacia el SAI o hacia los otros módulos de batería)
- (13) Conectores de reconocimiento automático de los módulos de batería

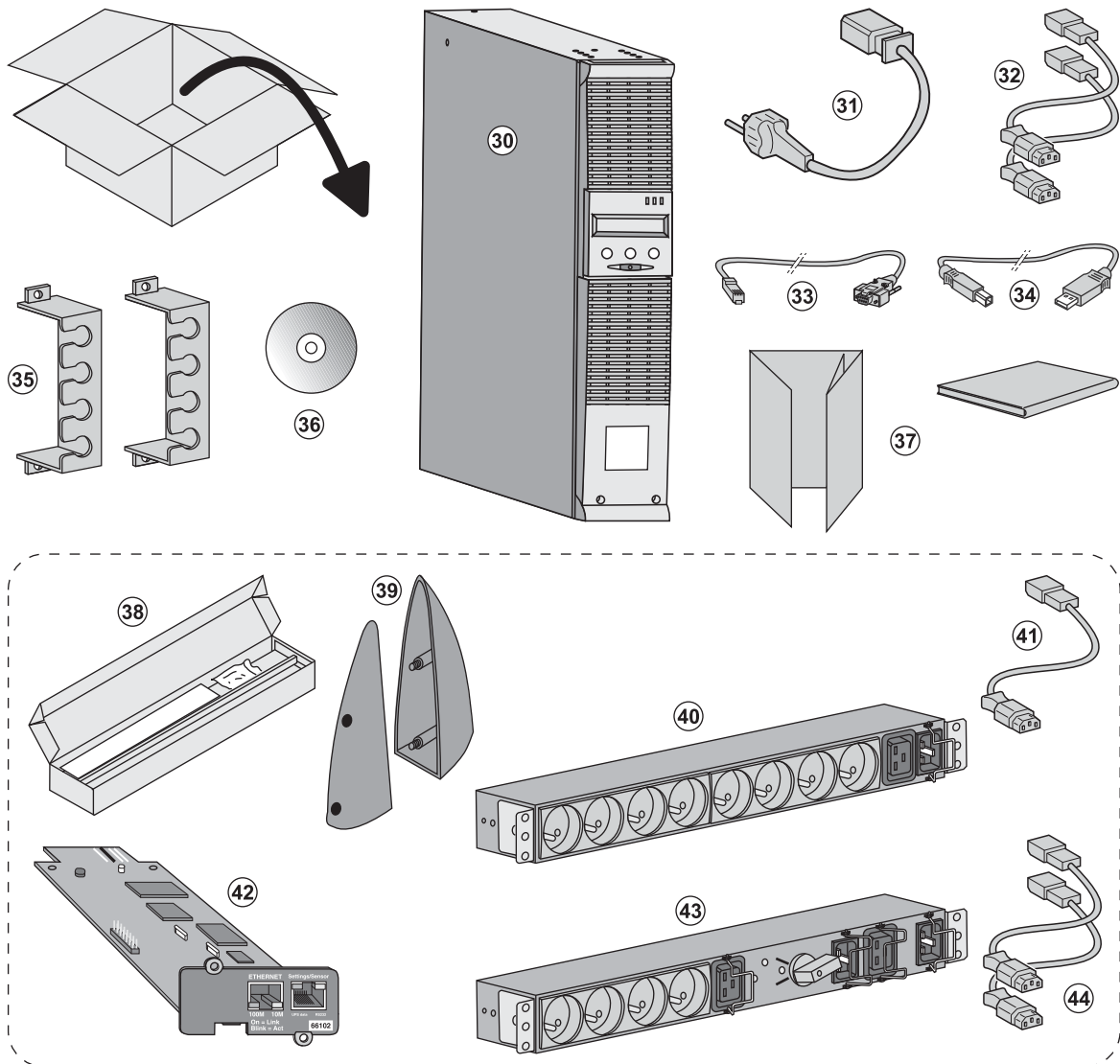
1.3 Panel de visualización y de mando



- (20) Indicador luminoso equipos protegidos
- (21) Indicador luminoso de funcionamiento degradado
- (22) Indicador luminoso equipos no protegidos
- (23) Pantalla de visualización alfanumérica
- (24) Botón de salir y de volver atrás
- (25) Botón de desplazamiento
- (26) Botón de validación
- (27) Botón de control Marcha/Parada (ON/OFF) del SAI y de las tomas de salida

2. Instalación

2.1 Desembalaje y comprobación del contenido



(30) SAI Pulsar EX 2200 / 3000 / 3000 XL.

(31) cordón de conexión a la red eléctrica.

(32) 2 cordones para conectar los equipos.

(33) Cable de comunicación RS232.

(34) Cable de comunicación USB.

(35) 2 sistemas de fijación de los cordones de alimentación de los equipos.

(36) CD-ROM **Solution-Pac**.

(37) Documentación.

Elementos suministrados según la versión u opcionalmente:

(38) Kit de montaje en armario de 19 pulgadas.

(39) 2 Pies de mantenimiento en posición vertical (versión 2U únicamente).

(40) Módulo **FlexPDU** (opcional).

(41) cordón de conexión del módulo **FlexPDU** al SAI.

(42) Tarjeta de comunicación **NMC** (opcional).

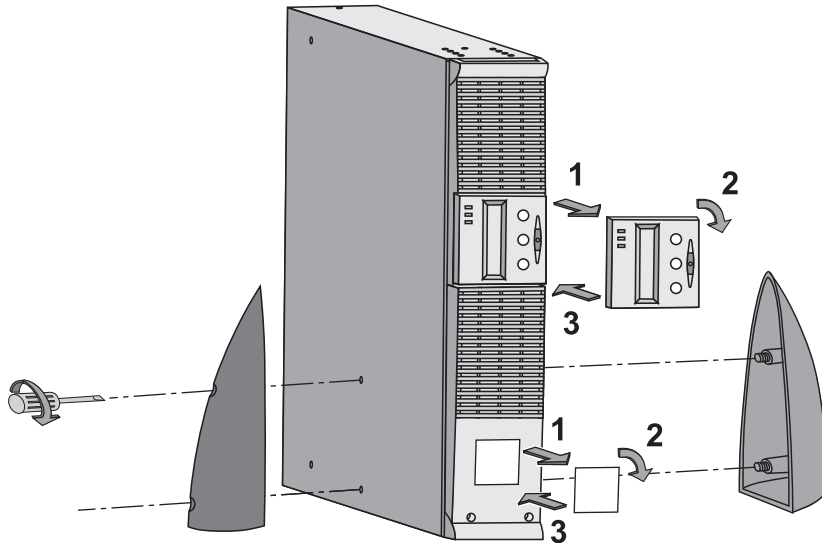
(43) Módulo **HotSwap MBP** (opcional).

(44) cordones de conexión del módulo **HotSwap MBP** al SAI.



Los embalajes tendrán que ser eliminados de conformidad con las normativas vigentes en materia de residuos. Llevan símbolos de reciclado para facilitar la clasificación.

2.2 Instalación en posición de torre



2.3 Instalación en posición de rack

Se recomienda montar el módulo de batería en primer lugar, luego montar el módulo de potencia encima.



Seguir las etapas 1 a 4 para el montaje del módulo sobre sus rieles.



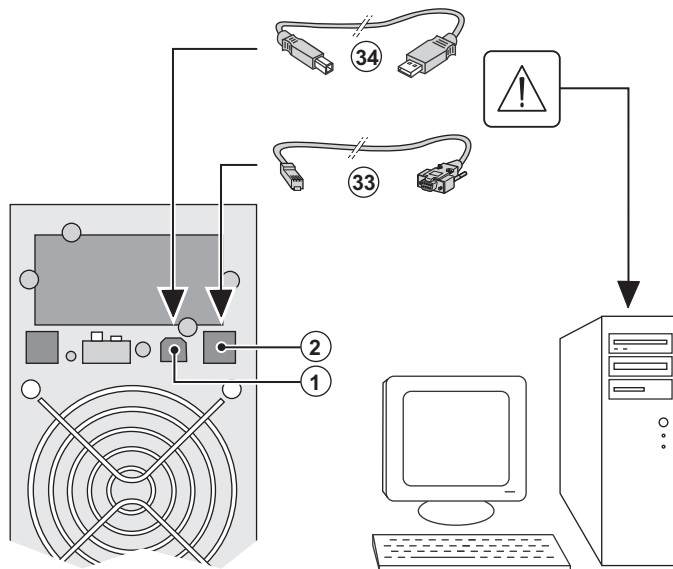
Los rieles y el material necesario para el montaje son suministrados por EATON.

2. Instalación

2.4 Puertos de comunicación

Conexión del puerto de comunicación RS232 o USB (facultativo)

 El puerto de comunicación RS232 y el puerto de comunicación USB no pueden funcionar de forma simultánea.

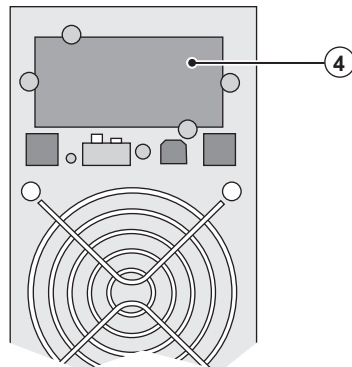


1 - Conectar el cable de comunicación RS 232 **(33)** o USB **(34)** al puerto serie o USB del equipo informático.

2 - Conectar la otra extremidad del cable de comunicación **(33)** o **(34)** al puerto de comunicación USB **(1)** o RS232 **(2)** del SAI.

El **SAI** ya podrá dialogar con un software de administración, de personalización o de seguridad EATON.

Instalación de las tarjetas de comunicación (opcionales)

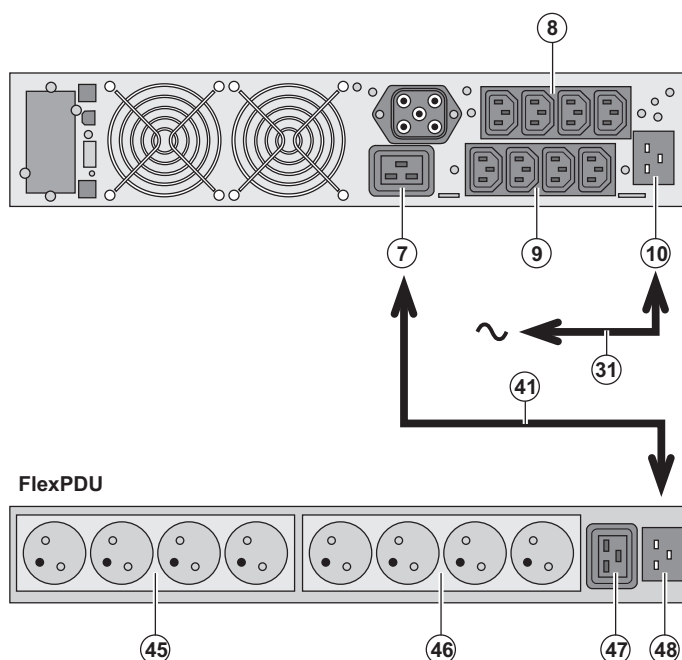


Ubicación de la tarjeta de comunicación (acceso restringido)

No será necesario parar el SAI para instalar la tarjeta de comunicación:

- 1 - Quitar la placa protectora **(4)** del SAI fijada con tornillos.
- 2 - Insertar la tarjeta de comunicación en el emplazamiento previsto.
- 3 - Fijar la placa protectora de la tarjeta con los tornillos.

2.5 Conexión al módulo FlexPDU (Power Distribution Unit) (Opcional)



1 - Conectar la toma de entrada (10) del SAI a la red eléctrica por medio del cordón (31) suministrado.

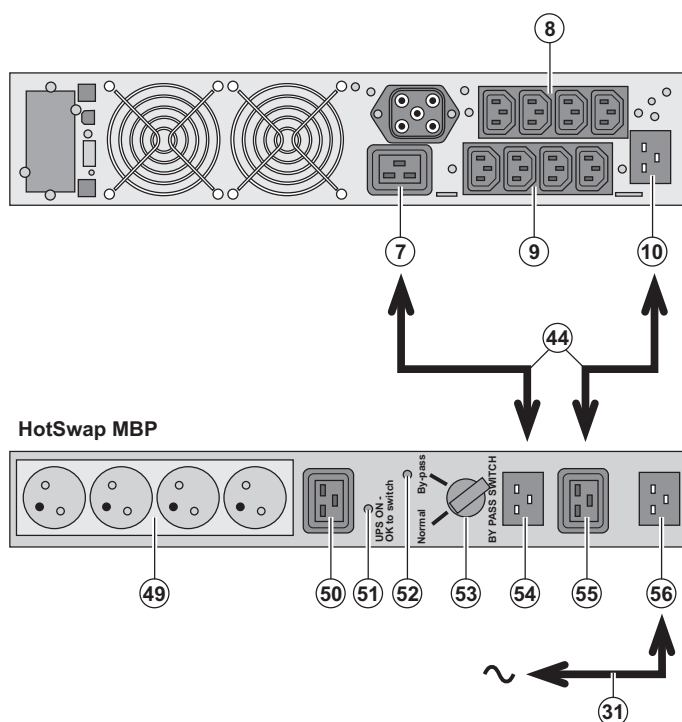
2 - Conectar la toma de entrada de red eléctrica del módulo FlexPDU (48) a la toma de salida (7) del SAI por medio del cordón (41) suministrado. Este cable y estas tomas están marcadas de color rojo.

3 - Conectar los equipos a las tomas (45), (46) et (47) del módulo FlexPDU. Estas tomas son de tipo diferente según la versión del módulo FlexPDU.

4 - Fijar los cables en su posición con las bridas metálicas de las tomas.

2.6 Conexiones a un módulo HotSwap MBP (Opcional)

La función del módulo HotSwap MBP es permitir el mantenimiento y, eventualmente, la sustitución del SAI sin que ello afecte a la alimentación eléctrica de los equipos conectados (función HotSwap).



1 - Conectar la toma de entrada (56) del módulo HotSwap MBP a la red eléctrica por medio del cordón (31) suministrado.

2 - Conectar la toma de entrada de red eléctrica del SAI (10) a la toma "UPS Input" (55) del módulo HotSwap MBP, por medio del cordón (44) suministrado. Estos cables y estas tomas están marcadas de color azul.

3 - Conectar la toma de salida del SAI (7) a la toma "UPS Output" (54) del módulo HotSwap MBP, por medio del cordón (44) suministrado. Estos cables y estas tomas están marcadas de color rojo.

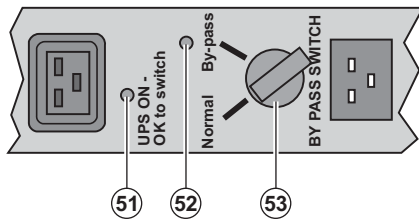
4 - Conectar los equipos a las tomas de salida (49) y (50) del módulo HotSwap MBP. Estas tomas son de tipo diferente según la versión del módulo HotSwap MBP.

Atención: no utilizar las tomas de salida (8) y (9) del SAI para alimentar los equipos ya que en ese caso la maniobra del conmutador (53) del módulo HotSwap MBP provocaría un corte en la alimentación de estos equipos. A este respecto, aconsejamos no retirar la película protectora de las tomas (8) y (9).



2. Instalación

Funcionamiento del módulo HotSwap MBP



El módulo **HotSwap MBP** utiliza un conmutador rotativo (53) de 2 posiciones:

Normal: los equipos están siendo alimentados por el SAI.

Bypass: los equipos están siendo alimentados por la red eléctrica.

Puesta en servicio del SAI con el módulo HotSwap MBP:

- 1 - Comprobar que el SAI esté correctamente conectado al módulo **HotSwap MBP**.
 - 2 - Colocar el conmutador (53) en posición Normal.
 - 3 - Poner en marcha el SAI pulsando el botón Marcha/Parada (27) en la cara delantera del SAI.
- Los equipos están siendo alimentados ya por el SAI.
El indicador luminoso (51) "UPS ON - OK to switch" se enciende en el módulo **HotSwap MBP**.

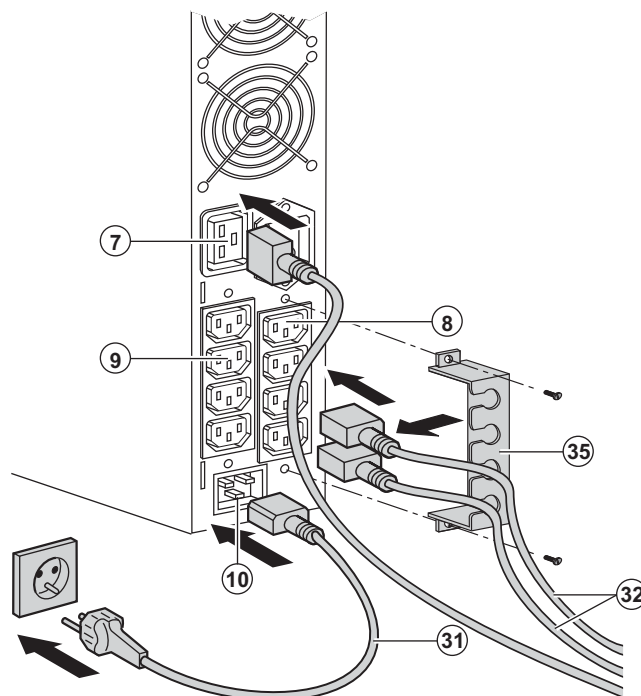
Test del módulo HotSwap MBP

- 1 - Colocar el conmutador (53) en posición Bypass y comprobar que los equipos sigan estando alimentados.
- 2 - Volver a poner el conmutador (53) en posición Normal.

2.7 Conexión de un SAI sin módulo FlexPDU o HotSwap MBP



Comprobar que las indicaciones señaladas en la placa de identificación situada en la parte trasera del aparato correspondan a la red eléctrica de alimentación y al consumo eléctrico real de los equipos.



- 1 - Conectar el cordón de alimentación (31) suministrado (250V - 16A) a la toma (10), luego a la toma de la red eléctrica de alimentación.
- 2 - Conectar los equipos al SAI por medio de los cordones (32).

Conectar, preferentemente, los equipos prioritarios a las 4 tomas (9) y los equipos no prioritarios a las 4 tomas (8) programables por pares (1 y 2). Conectar los equipos de mayor potencia a la toma (7) que puede suministrar una corriente 16A.

Para poder programar la desconexión de las tomas (8) mientras la batería funciona en modo autónomo y optimizar así la duración de esa autonomía, será necesario tener acceso al software de comunicación Eaton.

- 3 - Sujetar los cables de conexión fijando el sistema de mantenimiento de los cables (35).



Nota: el aparato recarga su batería al ser conectado a la red eléctrica, incluso sin pulsar el botón (27).

Tras la primera puesta en tensión, se necesitarán al menos 8 horas para que la batería pueda suministrar la autonomía nominal.



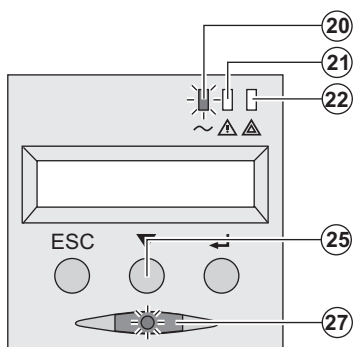
EX 3000 XL: debe conectarse, al menos, un módulo de batería de EXB adicional al UPS ya que no tiene baterías internas.

Consulte el manual de instalación del módulo de batería de EXB (nº de doc. 34008167) para obtener más información acerca de las conexiones.

3.1 Puesta en servicio y en funcionamiento normal



En el momento del primer arranque, la presencia de la corriente eléctrica es imprescindible para detectar un eventual error de cableado. Después, el aparato podrá arrancar estando ausente la corriente eléctrica.



Pulsar el botón (27) durante aproximadamente 1 segundo.

- ▶ El buzzer o zumbador emite un bip y todos los indicadores luminosos se encienden simultáneamente.
- ▶ A continuación, el buzzer emite 2 bips durante el autotest y el botón (27) sigue encendido, indicando la alimentación de las tomas de salida.

Los equipos conectados están siendo protegidos por el SAI.

- ▶ El indicador luminoso (20) está encendido.
- ▶ Si el indicador luminoso (22) está encendido, es que existe un fallo (ver capítulo "Anomalías").
- ▶ En modo de funcionamiento normal, el botón de desplazamiento (25) permite leer las medidas realizadas en el SAI (tensión de las redes eléctricas AC Normal y AC Bypass, modo de funcionamiento, capacidad de la batería y número de serie del SAI).



Personalización del SAI

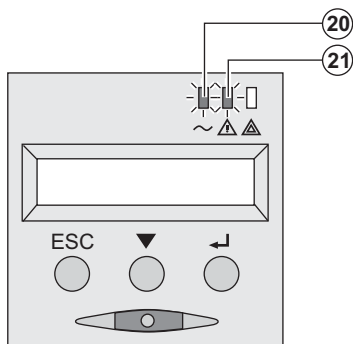


Si se tiene previsto proceder a una personalización específica del SAI, se recomienda entrar en el modo de personalización del SAI al llegar a esta fase.

Este modo es accesible a través de los botones del panel de mando o con el software **Personal Solution-Pac** para Windows incluido en el CD-ROM **Solution-Pac** de EATON.

3.2 Funcionamiento con batería

Cambio a batería



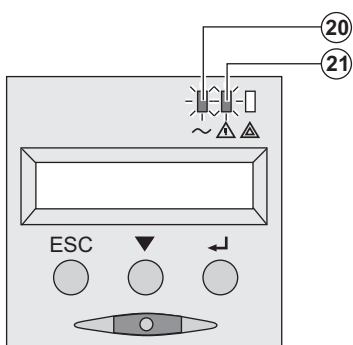
- ▶ Los equipos conectados siguen siendo alimentados por el SAI cuando la red eléctrica ya no está disponible. La energía suministrada procede de la batería.
- ▶ Los indicadores luminosos (20) y (21) están encendidos.
- ▶ La alarma acústica emite un bip cada 10 segundos.

Los equipos conectados están siendo alimentados a partir de la batería.

El visualizador indica la autonomía restante de la batería.



Umbral de prealarma de final de autonomía de la batería



- ▶ Los indicadores luminosos (20) y (21) están encendidos.
- ▶ La alarma acústica emite un bip cada 3 segundos.

La autonomía restante de la batería está a bajo nivel. Cerrar todas las aplicaciones de los equipos conectados ya que la parada automática del SAI es inminente.



3. Utilización

Final de autonomía de la batería



- ▶ Todos los indicadores luminosos están apagados.
- ▶ La alarma acústica está en silencio.



El SAI está completamente parado.

3.3 Vuelta de la corriente eléctrica

Tras el corte, el SAI vuelve a arrancar automáticamente cuando vuelve la corriente eléctrica (a menos que esta función haya sido desactivada mediante la personalización del SAI) y los equipos vuelven a recibir alimentación.

3.4 Parada del SAI



Presionar el botón (27) durante más de 2 segundos.

Los equipos conectados al SAI ya no están siendo alimentados.

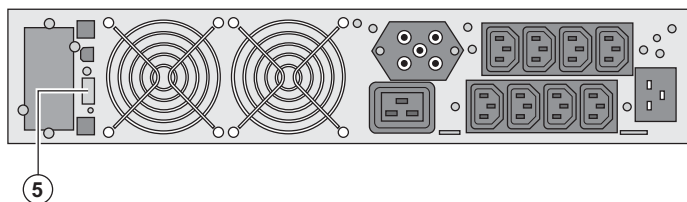
3.5 Utilización de las funciones de mando a distancia del SAI

Pulsar EX dispone de dos dispositivos de mando a distancia a elegir.

▶ **RPO**: es una función de parada a distancia del SAI (**Remote Power Off**) que permite dejar sin tensión todos los equipos conectados al SAI a través de un contacto remoto de usuario. El re arranque del SAI requiere una intervención manual.

▶ **ROO**: es una función de marcha/parada a distancia del SAI (**Remote ON/OFF**) que permite accionar el botón (27) de forma remota.

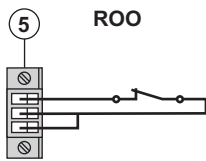
Estas funciones se obtienen abriendo el contacto que se conecta entre las patillas adecuadas del conector (5) a la cara trasera del SAI (ver figuras siguientes).



Conexión y test de los mandos a distancia



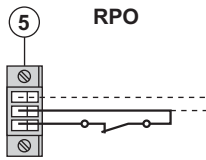
- 1 - Verificar que el SAI está en posición de parada y que la red eléctrica de alimentación está desconectada.
- 2 - Retirar el conector (5) desatornillando los tornillos.
- 3 - Conectar un contacto seco aislado, del tipo normalmente cerrado (60 Vdc / 30 Vac máx, 20 mA máx, sección de cable de 0,75 mm²) entre ambas patillas del conector (5), ver figura.



Contacto abierto: parada del SAI

Contacto cerrado: puesta en marcha del SAI (SAI conectado a la red y red presente)

Nota: el mando Marcha/Parada local con el botón (27) sigue siendo prioritario respecto del mando a distancia.



Contacto abierto: parada del SAI

Para volver a funcionamiento normal, desactivar el contacto externo de parada a distancia y volver a arrancar el SAI con el botón (27).

4 - Enganchar el conector (5) en su emplazamiento en la cara trasera del SAI.

5 - Conectar y volver a arrancar el SAI según los procedimientos descritos anteriormente.

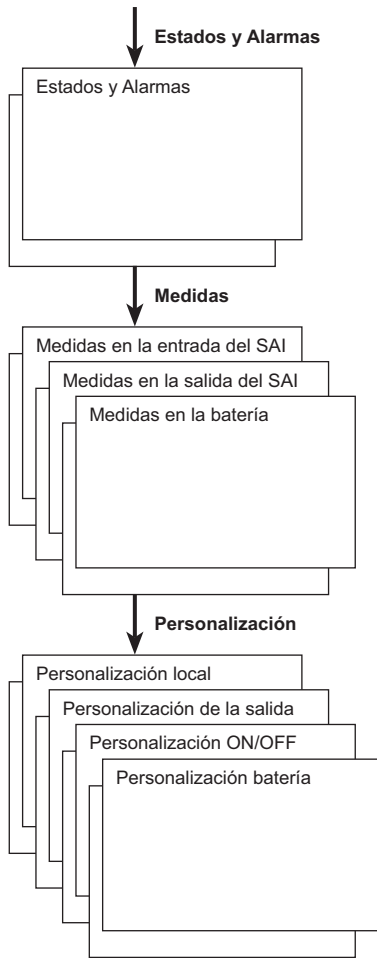
6 - Activar el contacto externo de parada a distancia para testar la función.



Atención: este conector debe ser exclusivamente conectado a circuitos de nivel TBTS (Muy Baja Tensión de Seguridad)

4. Acceso a las medidas y personalización

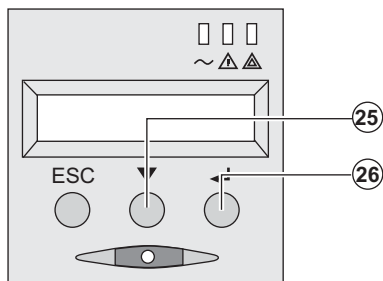
4.1 Descripción sinóptica del visualizador



4.2 Acceso a las medidas

Pulsando sucesivamente el botón de desplazamiento **(25)** se accede a los estados y alarmas eventuales, así como a las medidas de tensión, corriente, frecuencia, potencia suministrada y autonomía de la batería.

4.3 Personalización con el panel de mando



- ▶ Presionar sucesivamente el botón de desplazamiento **(25)** para acceder al menú de personalización.
- ▶ El botón de validación **(26)** permite acceder a las diferentes opciones a elegir.
- ▶ Por último, confirmar la opción elegida presionando de nuevo el botón de validación **(26)**.

Personalización local

Función	Personalización de fábrica	Otras opciones a elegir
Idioma	Inglés	Francés, Español, Alemán, Italiano, Neerlandés
Alarma acústica	Activa	Inactiva

4. Acceso a las medidas y personalización

Personalización de la salida

Función	Personalización de fábrica	Otras opciones a elegir	Comentarios
Tensión de salida ⁽¹⁾	230 Voltios AC	200/208/220/240 Voltios AC	
Convertidor de frecuencia ⁽¹⁾	Inactiva	Activa	Los equipos conectados nunca son transferidos a la vía Bypass
Frecuencia de salida ⁽¹⁾	Selección automática	50/60 Hz	Seleccionable por el usuario solamente si la función de convertidor de frecuencia está activa
Transferencia a red eléctrica AC By-pass ⁽¹⁾	Si la red eléctrica AC By-pass está dentro de tolerancia	Si la red eléctrica AC By-pass está fuera de tolerancia	
Nivel de sobrecarga ⁽¹⁾	102%	50 / 70%	Alarma en caso de sobrepasarse el umbral

(1) Estos parámetros únicamente son modificables cuando el **SAI** está en posición OFF.
Los comentarios detallados están disponibles en el software **Personal Solution-Pac**.

Personalización Marcha/Parada (ON/OFF)

Función	Personalización de fábrica	Otras opciones a elegir	Comentarios
Arranque con batería	Activa	Inactiva	
Rearranque automático	Activa	Inactiva	Rearranque automático del SAI a la vuelta de la corriente eléctrica
Ahorro de energía	Inactiva	Activa	Si función activa: parada automática de la autonomía de la batería al llegar a un nivel de potencia de un <5%
Detección de inversión fase/neutro (SWF)	Inactiva	Activa	Si función activa: el SAI sigue en posición OFF en caso de detección de inversión fase/neutro

Personalización de la batería

Función	Personalización de fábrica	Otras opciones a elegir	Comentarios
Test de la batería	Cada semana	Ningún test / diario / mensual	
Elección de las autonomías de la batería	Detección automática del número de módulos de batería	De 65 a 400 Ah	
Protección de la batería contra las descargas profundas	Activa	Inactiva	Si función inactiva: pérdida de la garantía de EATON

4.4 Personalización mediante software externo



- ▶ Insertar el CD ROM **Solution-Pac** en su lector.
- ▶ En la primera pantalla del navegador, seleccionar "Solución Punto a Punto" y seguir las instrucciones para instalar el software **Personal Solution-Pac**.
- ▶ A continuación, seleccionar "Configuración" y, luego, "Configuración avanzada" y "Parámetros ondulator". Tener en cuenta que las versiones Linux/Unix/MacOS del software **Personal Solution-Pac** no incluyen esta posibilidad.

5. Mantenimiento

5.1 Solución de averías



Si el indicador luminoso (21) o (22) está encendido, es que existe una anomalía de funcionamiento o una alarma. Utilizar el botón de salir y de volver atrás (24) para parar la alarma acústica.

	Síntoma	Diagnóstico	Corrección
1	El SAI no arranca, la pantalla de visualización alfanumérica indica: COLD START NOK CHECK AC WIRING	La red eléctrica está ausente o conectada a la salida del SAI.	Verificar que el SAI está conectado correctamente a la red eléctrica.
2	El indicador luminoso (22) está encendido, y el indicador luminoso SWF (11) está encendido en la cara trasera del SAI. La pantalla de visualización alfanumérica indica: INV FASE/NEUTRO VERIF CONEXION	Inversión de fase de la red de alimentación El SAI sigue parado.	<ul style="list-style-type: none"> ▶ En las redes eléctricas de tipo neutro a tierra, para corregir el cableado: desenchufar y girar la toma de red 180° (tipo DIN-SCHUKO), o llamar a un electricista para modificar la conexión. ▶ Para cualquier otro tipo de red, desactivar la detección.
3	El indicador luminoso (22) está encendido, la pantalla de visualización alfanumérica indica: SIN BATERIA CONTROL CONEXION	La batería está conectada de forma incorrecta.	Comprobar la conexión de la batería (ver §5.2, Sustitución del módulo de batería).
4	El indicador luminoso (22) está encendido, la pantalla de visualización alfanumérica indica: DEF BATERIA CONTACTAR SAT	Se ha comprobado un fallo en la batería.	Proceder a la sustitución de la batería (ver §5.2, Sustitución del módulo de batería). Ponerse en contacto con el servicio postventa.
5	El indicador luminoso (21) está encendido, la pantalla de visualización alfanumérica indica: SOBRECARG SALIDA REDUCIR CARGA	La tasa de carga supera el nivel de sobrecarga configurado, o supera la capacidad del SAI.	Comprobar la potencia absorbida por los equipos conectados y desconectar los equipos que no sean prioritarios. Verificar el nivel de sobrecarga configurado.
6	El indicador luminoso (22) está encendido, la pantalla de visualización alfanumérica indica: CARGA NO PROTEG SOBRECARG SALIDA	El SAI está en sobrecarga. Los equipos conectados están directamente alimentados por la red eléctrica vía el By-pass.	Comprobar la potencia absorbida por los equipos conectados y desconectar los equipos que no sean prioritarios.
7	El indicador luminoso (22) está encendido, la pantalla de visualización alfanumérica indica: REDUCIR CARGA REARRANQ. SAI	Después de sobrecargas repetitivas, el SAI está bloqueado en posición By-pass. Los equipos conectados están directamente alimentados por la red eléctrica.	Comprobar la potencia absorbida por los equipos conectados y desconectar los equipos que no sean prioritarios. Parar y reiniciar el SAI para volver al funcionamiento normal.
8	El indicador luminoso (22) está encendido, la pantalla de visualización alfanumérica indica: DEF SOBRECARGA REDUCIR CARGA	El SAI se ha parado automáticamente a causa de sobrecarga importante.	Comprobar la potencia absorbida por los equipos conectados y desconectar los equipos que no sean prioritarios.
9	El indicador luminoso (22) está encendido, la pantalla de visualización alfanumérica indica: CORTCIRCUIT CARG CONTROL CONEXION	El SAI se ha parado automáticamente a causa de cortocircuito en la salida del SAI.	Comprobar la instalación de salida del SAI (cableado, equipo con fallo).
10	El indicador luminoso (22) está encendido, la pantalla de visualización alfanumérica indica: DEF INTERNO CONTACTAR SAT	El SAI tiene un fallo interno. Dos casos posibles: <ul style="list-style-type: none"> ▶ los equipos conectados siguen estando alimentados, pero directamente por la red eléctrica a través del Bypass, ▶ los equipos conectados ya no están siendo alimentados. 	Ponerse en contacto con el servicio postventa.
11	La pantalla de visualización alfanumérica indica: PARO A DISTANCIA RPO	La acción del contacto "Paro de emergencia" (RPO) ha provocado la parada del SAI.	Volver a colocar el contacto en posición normal, y pulsar el botón ON/OFF para reiniciar.

Anomalías en un SAI equipado con un módulo HotSwap MBP



	Síntoma	Diagnóstico	Corrección
12	Los equipos conectados no están siendo alimentados cuando el conmutador rotativo (49) del módulo HotSwap MBP está en posición Bypass.	<ul style="list-style-type: none"> Los equipos están conectados en la salida del SAI en lugar de estar conectados al módulo HotSwap MBP. El cordón de la red eléctrica de alimentación está conectado en la entrada del SAI en lugar de estar conectado al módulo HotSwap MBP. 	Comprobar el cableado entre el SAI y el módulo HotSwap MBP (ver §2.6).
13	Los equipos conectados no están siendo alimentados cuando el conmutador rotativo (49) del módulo HotSwap MBP está en posición Normal.	<ul style="list-style-type: none"> El SAI está parado. El cableado no es conforme entre el SAI y el módulo HotSwap MBP. 	<ul style="list-style-type: none"> Arrancar el SAI. Comprobar el cableado entre el SAI y el módulo HotSwap MBP (ver §2.6).
14	Los equipos conectados no reciben alimentación en caso de corte de la corriente eléctrica.	<ul style="list-style-type: none"> El conmutador rotativo (49) del módulo HotSwap MBP está en posición Bypass. El cableado no es conforme entre el SAI y el módulo HotSwap MBP. 	<ul style="list-style-type: none"> Poner el conmutador rotativo (49) del módulo HotSwap MBP en posición Normal. Comprobar el cableado entre el SAI y el módulo HotSwap MBP (ver §2.6).

En caso de fallo que provoque la parada del SAI, pulsar el botón Marcha/Parada (27) para solventar el fallo.

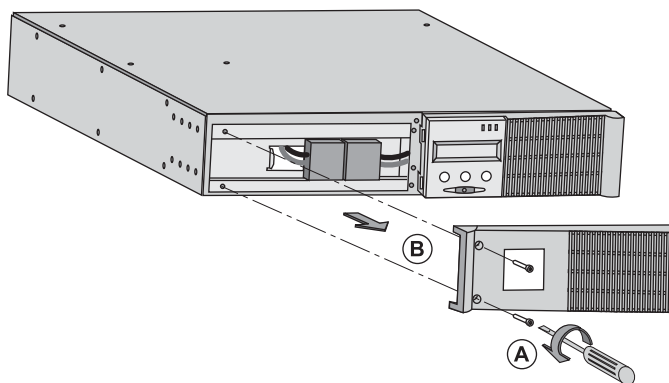
5.2 Sustitución del módulo de batería

Recordatorio de las instrucciones de seguridad:

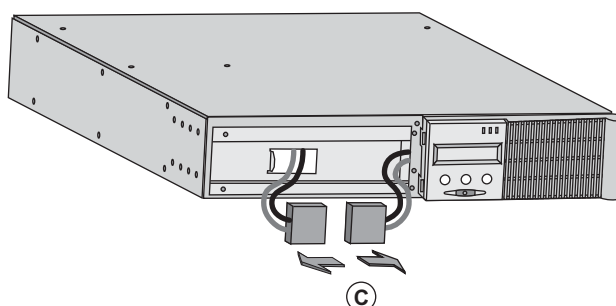
La batería presenta un riesgo de electrocución y una corriente de cortocircuito elevada. Se tendrán que tomar las precauciones siguientes para cualquier intervención en los elementos de la batería:

- ▶ Quitarse de las manos relojes, anillos, alianzas, pulseras o cualquier otro objeto metálico,
- ▶ Utilizar herramientas cuyo mango esté aislado.

Desmontaje del módulo de batería

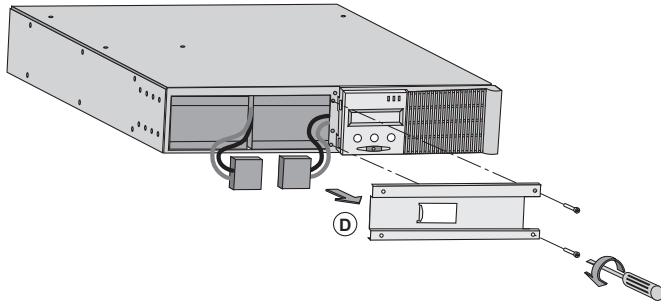


- A - Desatornillar la parte izquierda de la cara delantera fijada con 2 tornillos.
- B - Retirar esa parte.

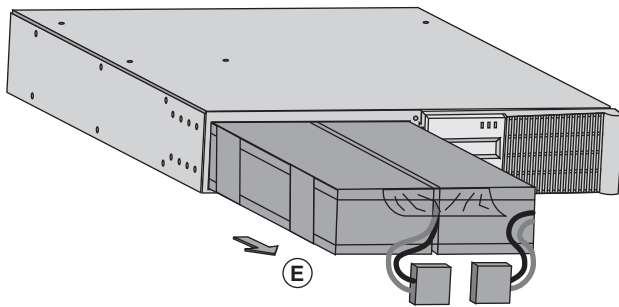


- C - Desconectar el bloque de batería separando los 2 conectores (no tirar nunca de los cables).

5. Mantenimiento



D - Quitar la cubierta metálica de protección de la batería fijada con 2 tornillos.



E - Extraer el bloque de la batería tirando de la lengüeta de plástico y proceder a su sustitución.

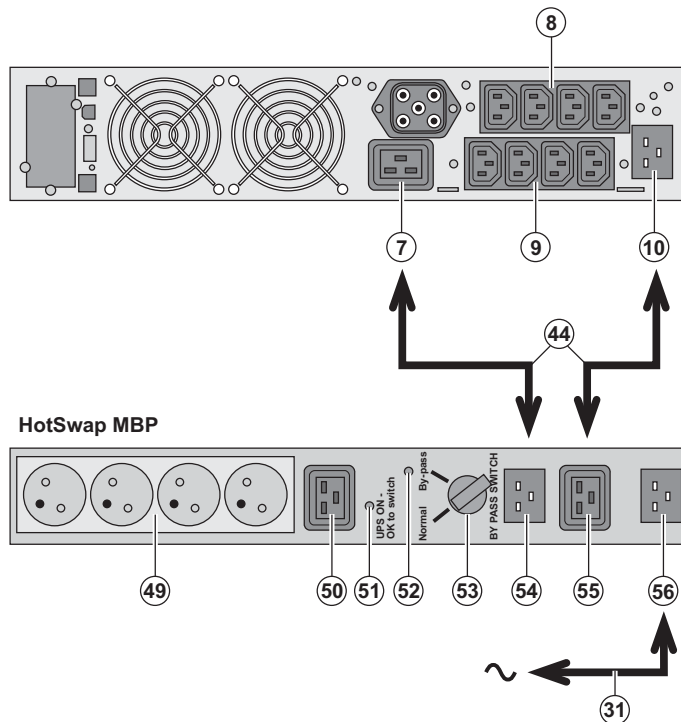
Montaje del nuevo módulo de batería

Realizar las operaciones descritas más arriba en sentido inverso.



- ▶ Para preservar la seguridad y el mismo nivel de prestaciones, utilizar elementos de batería suministrados por EATON.
- ▶ Procuren acoplar bien hasta el fondo las partes machos y hembras del conector cuando realicen la conexión.

5.3 Mantenimiento de un SAI equipado con un módulo HotSwap MBP



La función del módulo **HotSwap MBP** es permitir el mantenimiento y, eventualmente, la sustitución del SAI sin que ello afecte a la alimentación eléctrica de los equipos conectados (función **HotSwap**).

Mantenimiento:

1 - Colocar el conmutador (**53**) en posición Bypass: el indicador luminoso rojo del módulo **HotSwap MBP** se enciende para indicar que los equipos están siendo alimentados directamente por la red eléctrica.

2 - Parar el SAI pulsando el botón Marcha/Parada (**27**) en la cara delantera del SAI: El indicador luminoso (**51**) "UPS ON - OK to switch" se apaga, ya se puede desconectar el SAI y sustituirlo.

Vuelta a funcionamiento normal:

1 - Comprobar que el SAI esté correctamente conectado al módulo **HotSwap MBP**.

2 - Poner en marcha el SAI pulsando el botón Marcha/Parada (**27**) en la cara delantera del SAI: el indicador luminoso (**51**) "UPS ON - OK to switch" se enciende en el módulo **HotSwap MBP** (en caso contrario, hay un error en la conexión entre el módulo **HotSwap MBP** y el SAI).

3 - Poner el conmutador (**53**) en posición Normal: el indicador luminoso rojo del módulo **HotSwap MBP** se apaga.

5.4 Centro de formación

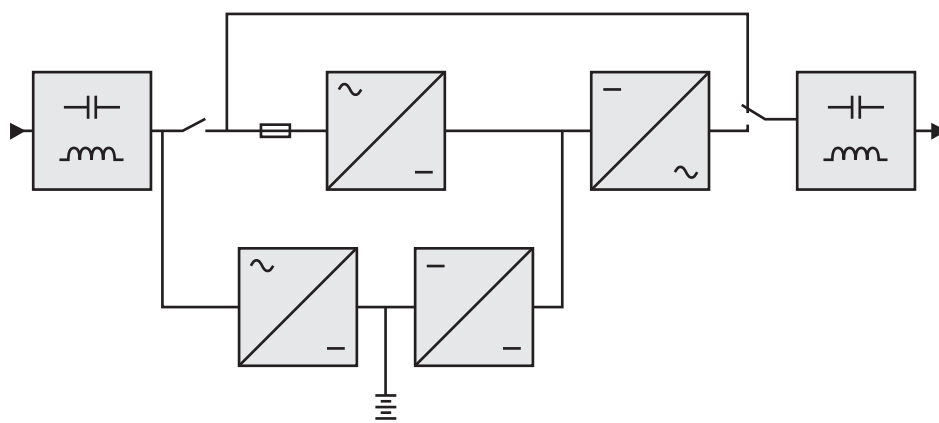


Para adquirir dominio en la explotación de su aparato EATON e intervenir a primer nivel, ponemos a su disposición un programa completo de formaciones técnicas en inglés y en francés.

For further information, please visit our website: www.eaton.com

6. Anexos

6.1 Especificaciones técnicas



	Pulsar EX 2200	Pulsar EX 3000	Pulsar EX 3000 XL	Pulsar EX EXB
Potencia de salida	2200 VA ⁽¹⁾ / 1980 W	3000 VA ⁽²⁾ / 2700 W ⁽³⁾	3000 VA ⁽²⁾ / 2700 W ⁽³⁾	
Red eléctrica de alimentación	<ul style="list-style-type: none"> ▶ Tensión de entrada nominal ▶ Intervalo de tensión de entrada ▶ Frecuencia ▶ Factor de potencia ▶ Corriente de fuga 			
	Monofásica 230 V 110 / 140 / 200 V a 284 V ⁽⁴⁾ 50/60 Hz (autoselección) > 0,95 < 2 mA			
Salida utilización	<ul style="list-style-type: none"> ▶ Tensión ▶ Frecuencia ▶ Distorsión armónica ▶ Capacidad de sobrecarga 			
	Monofásica 230 V $\pm 3\%$ ⁽⁵⁾ 50/60 Hz $\pm 0,5\%$ ⁽⁶⁾ < 4% con carga lineal, < 6% con carga no lineal 102% permanente, 105% 20s, > 130% 1,5s			
▶ Corriente	9,6 A ⁽⁷⁾	13 A ⁽⁸⁾		
Batería	6 x 12V - 7 Ah, de plomo hermético sin mantenimiento	6 x 12V - 9 Ah, de plomo hermético sin mantenimiento	Sin batería interna	2 cadenas de 6 x 12 V - 9 Ah, de plomo hermético, sin mantenimiento
Environnement	<ul style="list-style-type: none"> ▶ Temperatura de funcionamiento ▶ Humedad ▶ Temperatura de almacenamiento ▶ Altitud 			
	0°C a 40°C 20% a 90% (sin condensación) -25°C a 40°C 1000 m			
▶ Nivel acústico	< 46 dBA		< 50 dBA	

(1) Según la tensión de salida seleccionada entre 200 V / 208 V / 220 V / **230 V** / 240 V, la potencia de salida es de 1980 VA / 1980 VA / 2200 VA / **2200 VA** / 2200 VA.

(2) Según la tensión de salida seleccionada entre 200 V / 208 V / 220 V / **230 V** / 240 V, la potencia de salida es de 2700 VA / 2700 VA / 3000 VA / **3000 VA** / 3000 VA.

(3) Potencia de salida de 2700 W en estándar y de 2400 W con un módulo **EXB**.

(4) Valores dados a un 33% / 66% / 100% de la potencia del SAI.

(5) Ajustable entre 200 V / 208 V / 220 V / 230 V / 240 V por el software UPS Config.

(6) Modo convertidor de frecuencia programable mediante el software **UPS Config**.

(7) Según la tensión de salida seleccionada entre 200 V / 208 V / 220 V / **230 V** / 240 V, la corriente máxima de salida es de 9,9 A / 9,5 A / 10 A / **9,6 A** / 9,2 A.

(8) Según la tensión de salida seleccionada entre 200 V / 208 V / 220 V / **230 V** / 240 V, la potencia de salida es de 13,5 A / 13 A / 13,6 A / **13 A** / 12,5 A.

6.2 Glosario

AC By-pass	Vía derivada de la red eléctrica de alimentación, controlada por el SAI y que permite una alimentación directa de los equipos a través de la red eléctrica en caso de sobrecarga o de fallo en el funcionamiento del ondulator.
AC Normal	Se trata de la red eléctrica de alimentación normal del SAI.
Arranque con batería	Permite la puesta en tensión de los equipos conectados al SAI en ausencia de corriente eléctrica de alimentación. El SAI funciona entonces solamente con la batería.
Autonomía	Tiempo durante el cual los equipos son alimentados por el SAI funcionando con batería.
Convertidor de frecuencia	Función que permite convertir la frecuencia de la red eléctrica entre la entrada y la salida del SAI (50 Hz -> 60 Hz ó 60 Hz -> 50 Hz).
Descarga profunda	Descarga de la batería superior al límite permitido y que provoca daños irreversibles en la batería.
Equipos	Aparatos o dispositivos conectados en la salida del SAI.
FlexPDU	Módulo de tomas de salida del SAI para instalación en un bastidor. Existen diferentes tipos de módulos correspondientes a diferentes tipos de tomas.
HotSwap MBP	Módulo de derivación manual del SAI con vistas al mantenimiento. Existen diferentes tipos de módulos correspondientes a diferentes tipos de tomas.
Índice de carga	Relación entre la potencia consumida por los equipos conectados al SAI y la potencia máxima que puede suministrar el SAI.
Marcha/Parada del ondulator mediante software	Permite autorizar o prohibir al software de protección de los sistemas informáticos la activación de secuencias de Marcha/Parada del SAI.
Personalización	Programación de determinados parámetros diferente de la configuración estándar de salida de fábrica. Determinadas funciones del SAI pueden ser modificadas con el software Personal Solution-Pac para satisfacer mejor sus necesidades.
SAI	Alimentación Ininterrumpida.
Tomas programables	Tomas que pueden quedar desconectadas automáticamente durante la autonomía de la batería (temporización de apertura programable con el software Personal Solution Pac). El SAI lleva dos grupos de dos tomas programables.
Umbral de prealarma de final de autonomía de la batería	Se trata de un umbral del nivel de tensión de la batería que permite detectar la proximidad del final de autonomía de la batería y tomar entonces las medidas que impone el corte próximo de tensión en los equipos.
Test de la batería	Test interno del SAI que permite comprobar el estado de la batería.

EX

2200 RT 2U

2200 RT 3U

3000 RT 2U

3000 RT 3U

3000 RT 3U XL

EXB RT 3U

**Installatie- en
gebruikershandleiding**



Pulsar Series

EATON

Powering Business Worldwide

Hartelijk dank dat u een van de producten van EATON hebt gekozen voor de beveiliging van uw apparatuur.

De **EX**-lijn is met de grootst mogelijke zorg ontwikkeld.

Voor een optimaal gebruik van uw **UPS (Uninterruptible Power Supply - ononderbroken stroomvoorziening)** adviseren wij u om de tijd te nemen en deze handleiding goed te lezen.

Lees voor het plaatsen van de **EX** dit boekje goed door. U vindt er belangrijke veiligheidsvoorschriften. Volg daarna de aanwijzingen uit deze handleiding op.

Maak kennis met het leveringsprogramma van EATON en met de opties van de **EX**-lijn en surf naar onze website: www.eaton.com, of neem contact op met uw vertegenwoordiger van EATON.

Zorg voor het milieu

Het beleid van EATON is gericht op bescherming en behoud van het milieu.


Onze producten worden milieuvriendelijk ontworpen.


Stoffen

Dit toestel bevat geen CFC's, HCFC's of asbest.

Verpakking

Om afval beter te verwerken en recycling te bevorderen moeten de onderdelen van de verpakking gescheiden worden verwerkt.

- ▶ De doos bestaat voor meer dan 50% uit gerecycled karton.
- ▶ Zakken en zakjes zijn gemaakt van polyethyleen.
- ▶ Het verpakkingsmateriaal is geschikt voor recycling en voorzien van het -symbool.

Materiaal	Afkorting	Nummer in het  -symbool
Polyethyleen tereftalaat	PET	01
Hoge-dichtheid polyethyleen	HDPE	02
Polyvinylchloride	PVC	03
Lage-dichtheid polyethyleen	LDPE	04
Polypropyleen	PP	05
Polystyreen	PS	06

Houd u aan de ter plaatse geldende voorschriften voor het verwerken van de verpakking.

Einde levensduur

EATON streeft ernaar om afgedankte producten te verwerken volgens de ter plaatse geldende wettelijke voorschriften.

EATON werkt samen met bedrijven die onze afgedankte producten inzamelen en verwerken.

Product

Het product is vervaardigd van recyclebare materialen.

Ontmanteling en vernietiging moeten plaatsvinden volgens de ter plaatse geldende voorschriften voor de verwerking van afval.

Afgedankte producten moeten worden aangeboden bij een centrum voor verwerking van elektrisch en elektronisch afval.

Accu

Het toestel bevat loodaccu's die moeten worden verwerkt volgens de ter plaatse geldende voorschriften voor accu's.

Om aan deze voorschriften te voldoen en de accu op milieuvriendelijke wijze te verwerken, kan hij uit het toestel worden verwijderd.

Inleiding

Gebruikte pictogrammen



Volg deze aanwijzingen altijd op.



Informatie, tips, hulp.



Handel volgens de zichtbare aanduiding.



Voer de aangegeven handeling uit.



Geluidssignaal.

In deze handleiding wordt het branden van lampjes in de illustraties als volgt aangegeven:



Lampje uit.



Lampje aan.



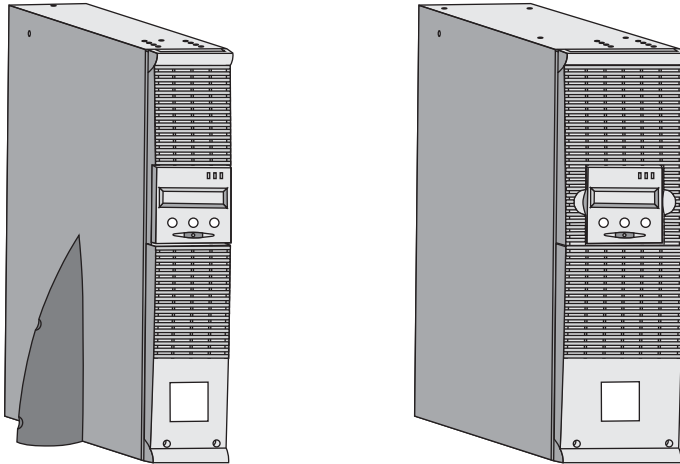
Knipperend lampje.

1. Beschrijving	
1.1 Standaardopstellingen	6
Tower-opstelling	6
Rack-opstelling	6
1.2 Achterkant	7
EX 2200 / 3000	7
EX EXB (optionele accumodule).....	7
1.3 Bedieningspaneel	7
2. Installatie	
2.1 Uitpakken en controle van de inhoud	8
2.2 Plaatsing in tower-opstelling	9
2.3 Plaatsen in rack-opstelling	9
2.4 Communicatiepoorten	10
Aansluiten van de RS232- of USB-communicatiepoort (facultatief)	10
Installatie van communicatiekaarten (optie).....	10
2.5 Aansluiting op een FlexPDU-module (Power Distribution Unit - elektrische verdeeldoos)	11
2.6 Aansluiting op een HotSwap MBP-module	11
Werking van de HotSwap MBP-module.....	12
2.7 Aansluiten van een UPS zonder FlexPDU- of HotSwap MBP-module	12
3. Gebruik	
3.1 Ingebruikname en normaal bedrijf	13
3.2 Accubedrijf	13
3.3 Terugkeer van het elektriciteitsnet	14
3.4 Uitschakelen van de UPS	14
3.5 Gebruik van de remote bedieningsfuncties van de UPS	14
4. Instellingen en toegang tot metingen	
4.1 Overzicht van de display	16
4.2 Toegang tot metingen	16
4.3 Instellingen via bedieningspaneel	16
4.4 Instellingen met externe software	17
5. Onderhoud	
5.1 Problemen oplossen	18
Storingen bij een UPS met HotSwap MBP-module	19
5.2 Vervangen van de accumodule	19
Veiligheidsvoorschriften	19
Demonteren van de accumodule	19
Plaatsen van de nieuwe accumodule	20
5.3 Onderhoud van een UPS met een HotSwap MBP-module	20
5.4 Trainingscentrum	21
6. Bijlagen	
6.1 Technische gegevens	22
6.2 Definities	23

1. Beschrijving

1.1 Standaardopstellingen

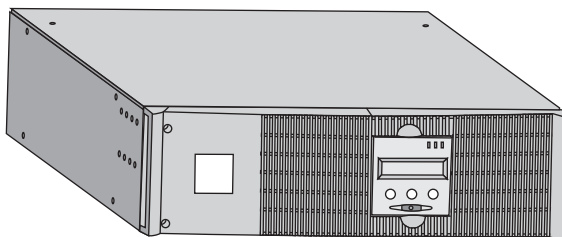
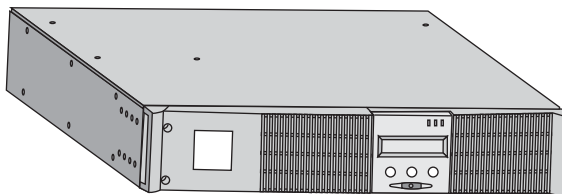
Tower-opstelling



Overzicht afmetingen (H x B x D) in mm	
EX 2200 RT 2U	440 x 86 x 640
EX 2200 RT 3U	440 x 131 x 490
EX 3000 RT 2U	440 x 86 x 640
EX 3000 RT 3U	440 x 131 x 490
EX 3000 RT 3U XL	440 x 131 x 490
EX EXB RT 3U	440 x 131 x 490

Overzicht gewichten in kg	
EX 2200 RT 2U	31
EX 2200 RT 3U	30
EX 3000 RT 2U	31
EX 3000 RT 3U	30
EX 3000 RT 3U XL	17
EX EXB RT 3U	42

Rack-opstelling



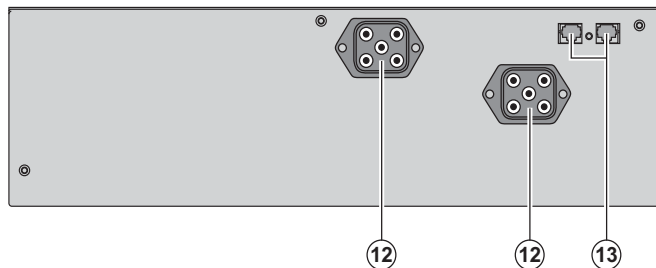
1.2 Achterkant

EX 2200 / 3000 / 3000 XL



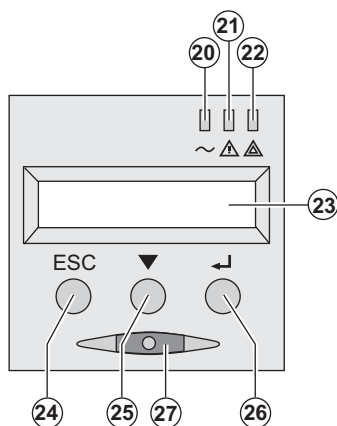
- (1) USB-communicatiepoort
- (2) RS232-communicatiepoort
- (3) Connector voor automatische herkenning van een extra accumodule
- (4) Plaats voor optionele communicatiekaart.
- (5) Connector voor aansluiting van een Remote On/Off en een noodstop.
- (6) Connector voor aansluiting van een extra accumodule
- (7) 16A-contactdoos voor het aansluiten van apparatuur
- (8) 2 groepen van 2 instelbare contactdozen voor het aansluiten van apparatuur
- (9) Groep van 4 contactdozen voor het aansluiten van beveiligde apparatuur
- (10) Aansluiting voor het elektrische voedingsnet
- (11) Waarschuwinglampje voor fase-omkering/nulleider van het elektrische net (SWF)

EX EXB (optionele accumodule)



- (12) Connectoren voor het aansluiten van de accumodules (op de UPS of de andere accumodules)
- (13) Connectoren voor automatische herkenning van accumodules

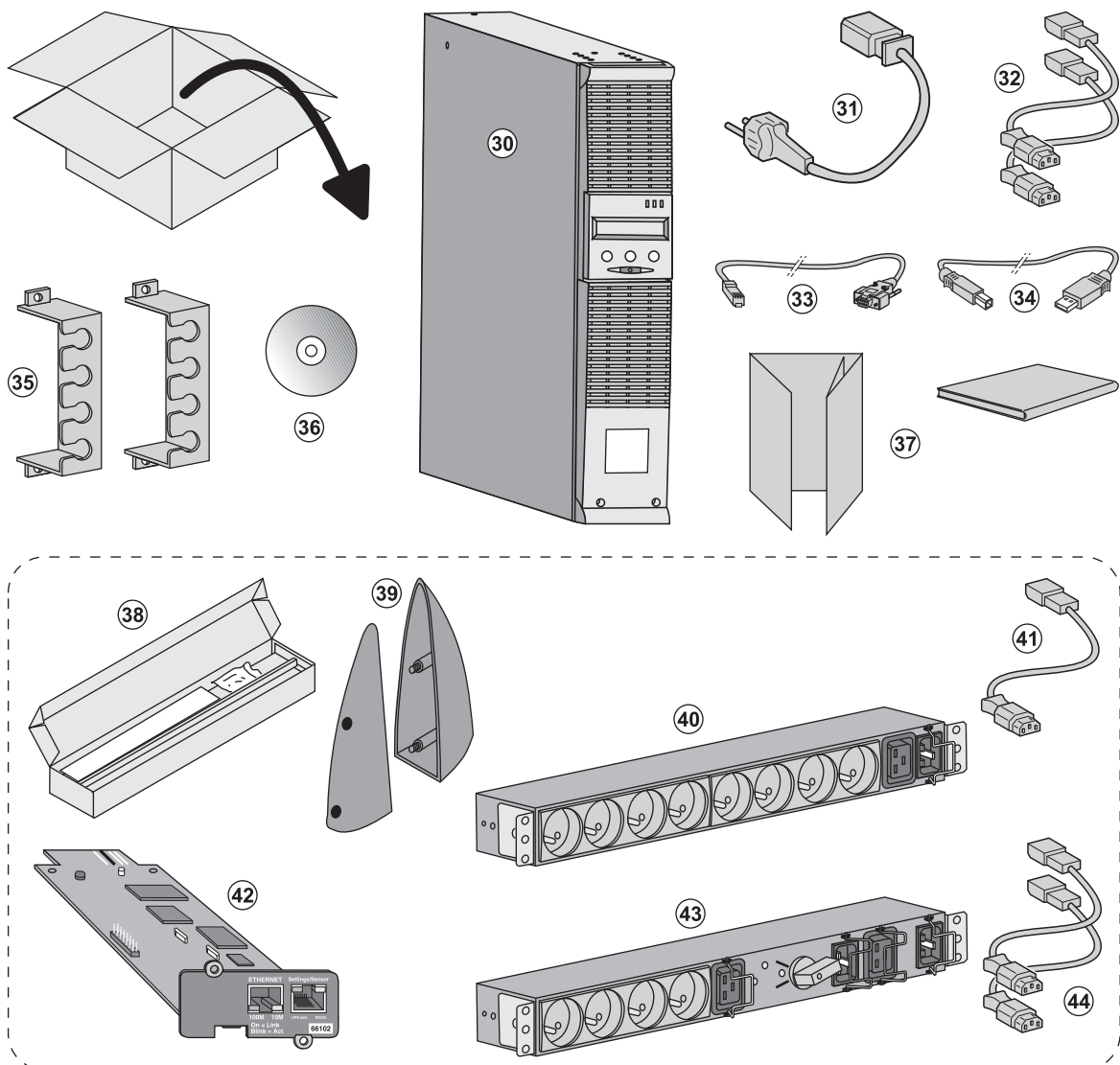
1.3 Bedieningspaneel



- (20) Lampje beveiligde apparatuur
- (21) Lampje storingsbedrijf
- (22) Lampje niet-beveiligde apparatuur
- (23) Alfa-numeriek display
- (24) Knop Stoppen, Terug
- (25) Scrolltoets
- (26) Bevestigingstoets
- (27) Aan-/Uitknop (ON/OFF) van de UPS en de uitgaande contactdozen

2. Installatie

2.1 Uitpakken en controle van de inhoud



(30) UPS EX 2200 / 3000 / 3000 XL.

(31) aansluitsnoer op het elektriciteitsnet.

(32) 2 snoeren voor het aansluiten van de apparatuur.

(33) RS232 communicatiekabel.

(34) USB-communicatiekabel.

(35) 2 borgsystemen voor de voedingskabels van de apparatuur.

(36) Solution-Pac-CD-ROM.

(37) Documentatie.

Afhankelijk van uitvoering of opties worden geleverd:

(38) Montageset voor 19 inch kast.

(39) 2 steunen voor verticale plaatsing (alleen model 2U).

(40) FlexPDU-module (optie).

(41) aansluitsnoer van FlexPDU-module naar UPS.

(42) NMC-communicatiekaart (optie).

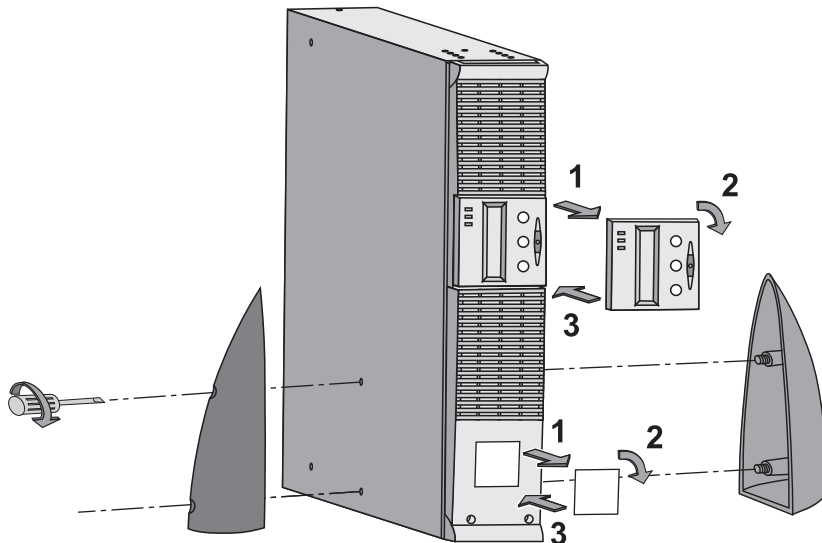
(43) HotSwap MBP-module (optie).

(44) aansluitsnoeren van HotSwap MBP-module naar UPS.



De verpakkingen moeten worden verwerkt volgens de geldende voorschriften voor afval. Ze zijn voorzien van recyclingsymbolen om gescheiden verwerking te vergemakkelijken.

2.2 Plaatsing in tower-opstelling

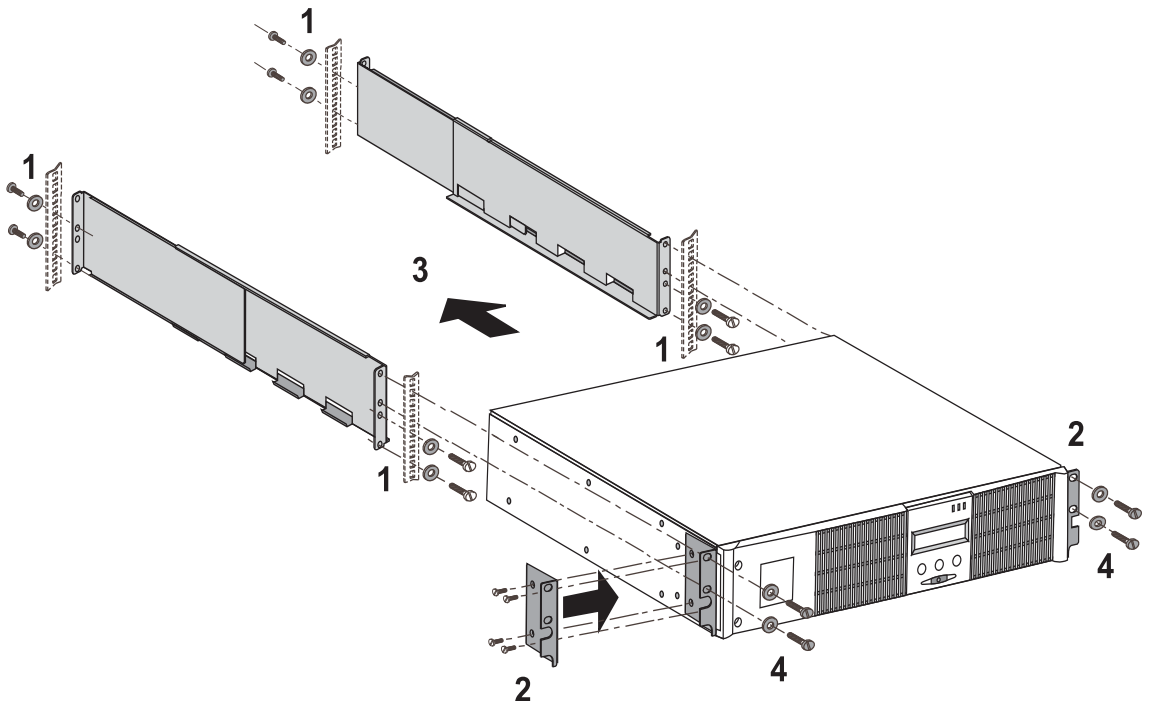


2.3 Plaatsing in rack-opstelling

Geadviseerd wordt om de accumodule eerst te monteren en vervolgens de vermogensmodule daar bovenop.



Volg de stappen 1 tot en met 4 voor het monteren van de module op zijn rails.



De rails en de montagebenodigdheden worden geleverd door EATON.

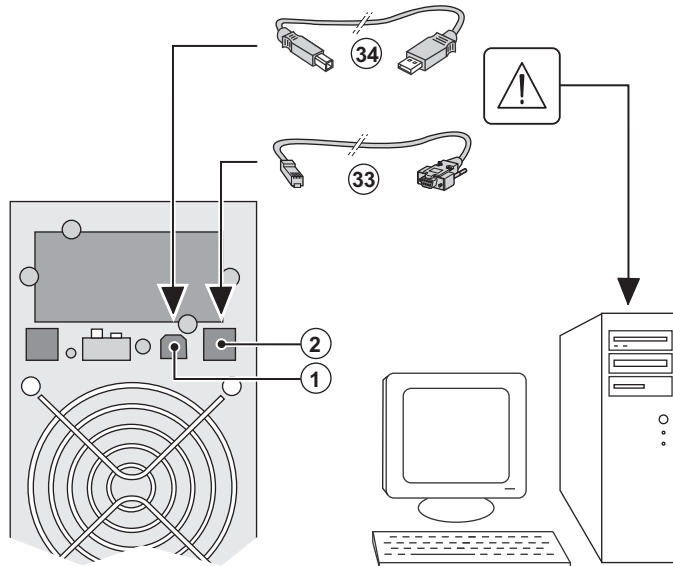
2. Installatie

2.4 Communicatiepoorten

Aansluiten van de RS232- of USB-communicatiepoort (facultatief)



De RS232-communicatiepoort en de USB-communicatiepoort kunnen niet tegelijkertijd in werking zijn.

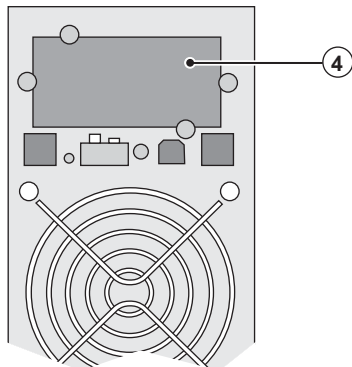


1 - Sluit de RS 232-communicatiekabel (33) of de USB-communicatiekabel (34) aan op de seriële of USB-poort van de computerapparatuur.

2 - Sluit het andere eind van de communicatiekabel (33) of (34) aan op de USB-communicatiepoort (1) of de RS232-communicatiepoort (2) van de UPS.

De **UPS** kan nu communiceren met besturings-, configuratie- of beveiligingssoftware van EATON.

Installatie van communicatiekaarten (optie)

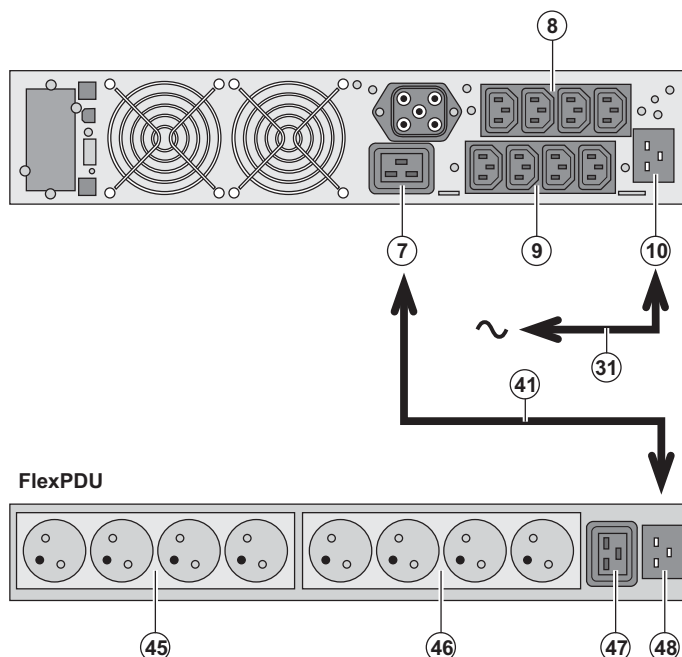


Plaatsing van de communicatiekaart, met beperkte toegang.

De UPS hoeft niet te worden uitgeschakeld om de communicatiekaart te installeren:

- 1 - Verwijder het beschermplaatje (4) van de UPS (dit is bevestigd met schroeven).
- 2 - Plaats de communicatiekaart op de daarvoor bestemde plaats.
- 3 - Breng het afdekplaatje weer op zijn plaats en schroef het vast.

2.5 Aansluiting op een FlexPDU-module (Power Distribution Unit - elektrische verdeelkast) (optie)



1 - Sluit de ingang (10) van de UPS met bijgeleverd snoer (31) aan op het elektriciteitsnet.

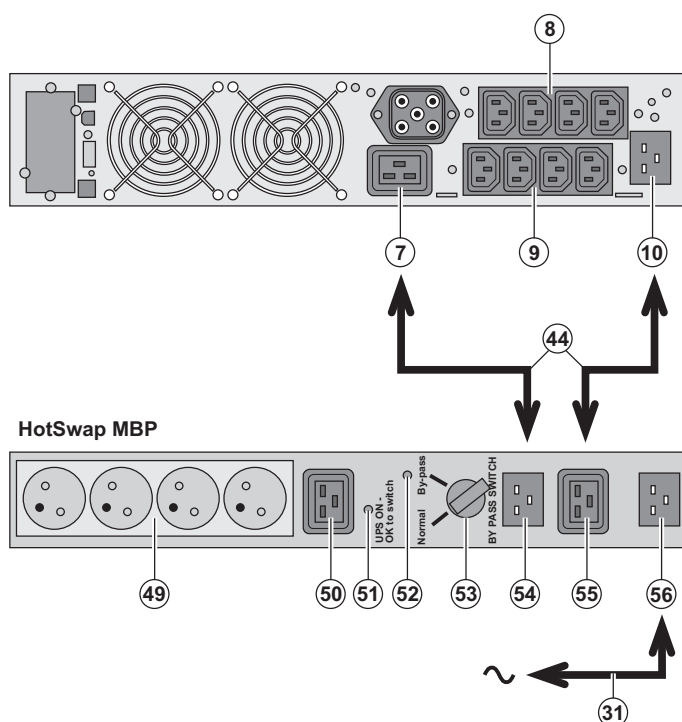
2 - Verbind de ingang voor het elektriciteitsnet van de **FlexPDU**-module (48) met de uitgang (7) van de UPS door middel van het bijgeleverde snoer (41). Deze kabel en aansluitingen zijn in rood aangegeven.

3 - Sluit de apparatuur aan op de contactdozen (45), (46) en (47) van de **FlexPDU**-module. Het type contactdoos verschilt per model **FlexPDU**-module.

4 - Borg de kabels met de metalen klemmen van de contactdozen.

2.6 Aansluiting op HotSwap MBP-module (Optie)

Met een **HotSwap MBP**-module kan de UPS worden onderhouden en eventueel vervangen zonder gevolgen voor de elektrische voeding van de aangesloten apparatuur (**HotSwap**-functie).



1 - Sluit de ingang (56) van de **HotSwap MBP**-module op het elektriciteitsnet aan door middel van het bijgeleverde snoer (31).

2 - Verbind de ingang voor het elektriciteitsnet van de UPS (10) met de "UPS Input" (55) van de **HotSwap MBP**-module door middel van het bijgeleverde snoer (44). Deze kabels en aansluitingen zijn in blauw aangegeven.

3 - Verbind de uitgang van de UPS (7) met de "UPS Output" (54) van de **HotSwap MBP**-module door middel van het bijgeleverde snoer (44). Deze kabels en aansluitingen zijn in rood aangegeven.

4 - Sluit de apparatuur aan op de uitgaande contactdozen (49) en (50) van de **HotSwap MBP**-module. Het type contactdoos verschilt per model **HotSwap MBP**-module.

Let op: de contactdozen (8) en (9) van de UPS niet gebruiken voor de voeding van de apparatuur: als de schakelaar (53) van de **HotSwap MBP**-module namelijk wordt omgezet, zal de stroomtoevoer naar deze apparatuur worden onderbroken. Daarom adviseren wij om de beschermfolie van contactdoos (8) en (9) niet te verwijderen.



2. Installatie

Werking van de HotSwap MBP-module



De **HotSwap MBP**-module is voorzien van een draaischakelaar (**53**) met 2 standen:

Normal: de apparatuur wordt gevoed door de UPS.

By-pass: de apparatuur wordt gevoed door het elektriciteitsnet.

In bedrijf stellen van de UPS met de HotSwap MBP-module:

- 1 - Controleer of de UPS goed op de **HotSwap MBP**-module is aangesloten.
 - 2 - Zet de schakelaar (**53**) op Normal.
 - 3 - Start de UPS door op de Aan/Uit-knop (**27**) aan de voorkant van de UPS te drukken.
- De apparatuur wordt nu door de UPS gevoed.
Lampje (**51**) "UPS ON - OK to switch" gaat nu branden op de **HotSwap MBP**-module.

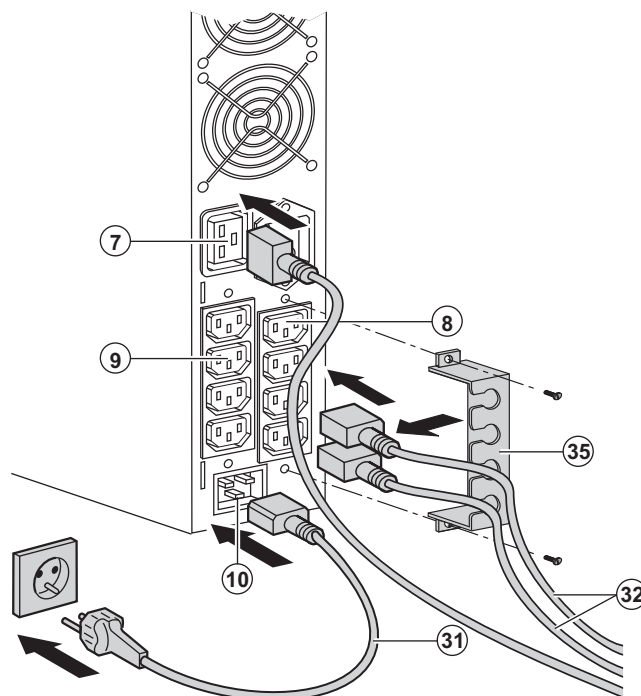
Testen van de HotSwap MBP-module

- 1 - Zet de schakelaar (**53**) op By-pass en controleer of de apparatuur nog steeds wordt gevoed.
- 2 - Zet de schakelaar (**53**) weer op Normal.

2.7 Aansluiten van een UPS zonder FlexPDU-of HotSwap MBP-module



Controleer de opschriften op het typeplaatje aan de achterkant van het toestel overeenkomen met de gegevens van het elektriciteitsnet en het feitelijke stroomverbruik van de aangesloten apparatuur.



- 1 - Sluit de bijgeleverde voedingskabel (**31**) (250V - 16A) aan op contactdoos (**10**) en vervolgens op het elektriciteitsnet.
- 2 - Sluit de apparatuur op de UPS aan met de snoeren (**32**).

Sluit de belangrijkste apparatuur bij voorkeur aan op de 4 contactdozen (**9**) en minder belangrijke apparatuur op de 4 contactdozen (**8**) die per paar kunnen worden geprogrammeerd (1 en 2).

Sluit apparatuur met een hoger vermogen aan op contactdoos (**7**), die een stroom van 16A kan leveren.

Om de contactdozen (**8**) bij accubedrijf te kunnen afschakelen en daarmee de gebruikstijd van de accu te kunnen verlengen moet gebruik kunnen worden gemaakt van de communicatiesoftware van EATON.

- 3 - Borg de aansluitingen door middel van het kabelklemstelsel (**35**).



NB: het toestel laadt de accu op zodra het op het elektriciteitsnet wordt aangesloten. Knop (**27**) hoeft niet te worden ingedrukt.

Nadat het toestel voor het eerst onder spanning is gebracht duurt het ten minste 8 uur voordat de accu gedurende de nominale gebruiksduur energie kan leveren.



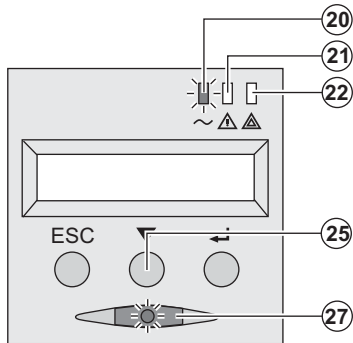
EX 3000 XL: er moet minstens één extra EXB batterijmodule op de UPS worden aangesloten omdat de UPS geen interne batterijen heeft.

Kijk in de EXB batterijmodule installatiegids (doc. nr. 34008167) voor gedetailleerde informatie over de aansluiting.

3.1 Ingebruikname en normaal bedrijf



Wanneer het toestel voor de eerste maal wordt opgestart, moet de netspanning aanwezig zijn om eventuele bekabelingsfouten aan het licht te brengen. Daarna kan het toestel ook worden opgestart zonder dat netspanning aanwezig is.



Druk gedurende ongeveer 1 seconde op knop (27).

- ▶ De zoemer geeft een geluidssignaal en alle lampjes gaan tegelijk branden.
- ▶ Vervolgens geeft de zoemer tijdens de automatische test 2 geluidssignalen, waarna knop (27) blijft branden, waarmee wordt aangegeven dat de uitgaande contactdozen worden gevoed.

De aangesloten apparatuur wordt nu door de UPS gevoed.

- ▶ Lampje (20) brandt.

Als lampje (22) brandt, is er een storing aanwezig (zie hoofdstuk "Storingen").

- ▶ Bij normaal bedrijf kunnen met de scrolltoets (25) de metingen worden uitgelezen die op de UPS worden gedaan (spanning van AC Normal- en AC By-passnetten, bedrijfstype, capaciteit van de accu en serienummer van de UPS).



Instellen van de UPS

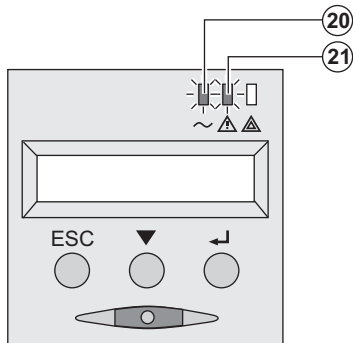


Wanneer het de bedoeling is om de UPS op een bepaalde manier in te stellen, wordt aanbevolen om die instellingen bij deze stap te maken via het menu Instellingen van de UPS.

Dit menu is toegankelijk via de knoppen van het bedieningspaneel of met de **Personal Solution-Pac**-software voor Windows die op de **Solution-Pac**-CD-ROM van EATON staat.

3.2 Accubedrijf

Overschakelen op accubedrijf

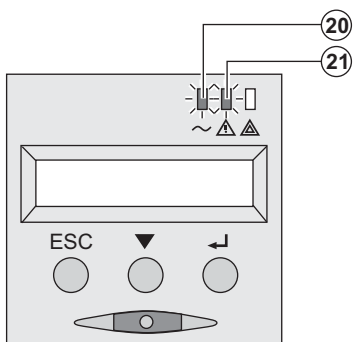


- ▶ De voeding van de aangesloten apparatuur wordt door de UPS overgenomen op het moment dat het elektriciteitsnet uitvalt. De energie wordt dan door de accu geleverd.
- ▶ De lampjes (20) en (21) branden.
- ▶ Om de 10 seconden klinkt een geluidssignaal.

De aangesloten apparatuur wordt door de accu gevoed.

Op de display staat aangegeven hoe lang de accu de voeding nog kan leveren.

Drempelwaarde voor de voorwaarschuwing "Accu bijna leeg"



- ▶ De lampjes (20) en (21) branden.
- ▶ Om de drie seconden klinkt een waarschuwingssignaal.

De accu is bijna leeg.

Sluit alle toepassingen op de aangesloten apparatuur: de UPS zal binnen zeer korte tijd worden uitgeschakeld.

3. Gebruik

Accu leeg



- ▶ Alle lampjes zijn uit.
- ▶ Het akoestische waarschuwingssignaal is uit.



De UPS is volledig uitgeschakeld.

3.3 Terugkeer van de netspanning

Nadat hij is uitgeschakeld, start de UPS automatisch weer op zodra de netspanning terugkeert (tenzij deze functie is uitgeschakeld via instellingen van de UPS); de aangesloten apparatuur wordt weer gevoed.

3.4 Uitschakelen van de UPS



Druk langer dan 2 seconden op knop (27).

De op de UPS aangesloten apparatuur wordt niet meer gevoed.

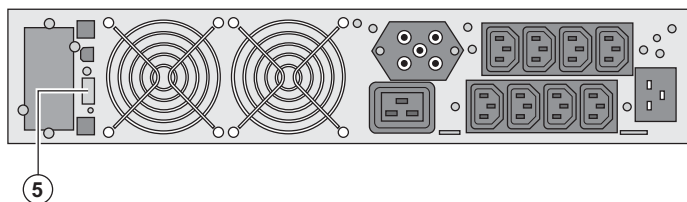
3.5 Gebruik van de remote bedieningsfuncties van de UPS

EX biedt keus uit twee remote bedieningssystemen.

▶ **RPO**: functie voor remote uitschakelen van de UPS (**R**emote **P**ower **O**ff) die gebruikt wordt om alle op de UPS aangesloten apparatuur door middel van een remote gebruikerscontact uit te schakelen. De UPS moet daarna handmatig weer ingeschakeld worden.

▶ **ROO**: functie voor remote in- en uitschakelen van de UPS (**R**emote **O**n/**O**ff) die remote gebruik van knop (27) mogelijk maakt.

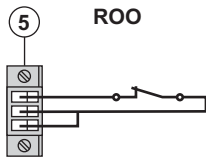
Deze functies worden mogelijk gemaakt door opening van een contact dat wordt aangesloten tussen de betreffende pinnen van de connector (5) aan de achterkant van de UPS (zie de figuren hierna).



Aansluiten en testen van remote bedieningsfuncties

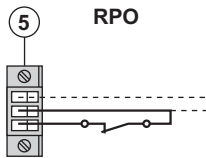


- 1 - Controleer of de UPS op OFF staat en van het elektrische voedingsnet losgekoppeld is.
- 2 - Verwijder de connector (5) door de schroeven los te draaien.
- 3 - Sluit een geïsoleerd droog normaal gesloten contact (60 VDC / 30 VAC max., 20 mA max., kabel diameter 0,75 mm²) aan tussen de twee pinnen van de connector (5), zie figuur.



Contact open: UPS schakelt uit
Contact gesloten: UPS schakelt in (indien UPS aangesloten op netspanning en netspanning aanwezig)

N.B.: lokaal in/uit-schakelen met knop (27) blijft voorrang hebben boven remote bediening.



Contact open: UPS schakelt uit

Om terug te gaan naar normale modus moet u het externe contact voor remote uitschakelen desactiveren en de UPS herstarten met knop (27).

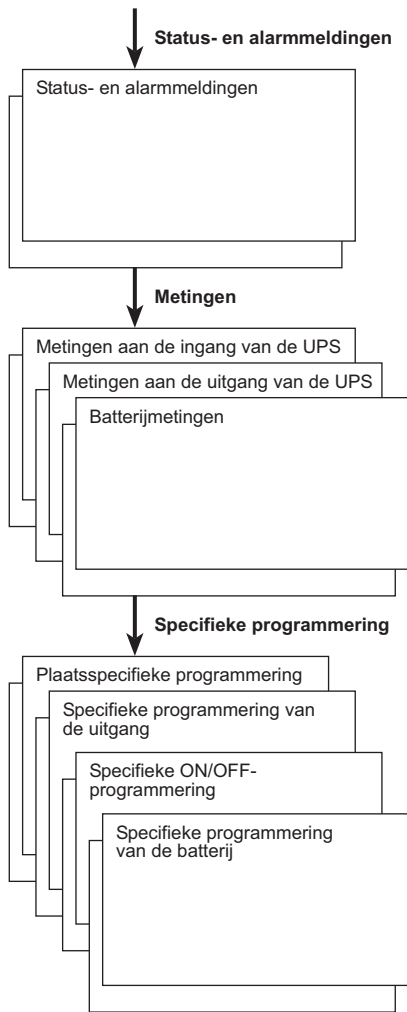
- 4 - Steek de connector (5) in het daarvoor bestemde contactgat aan de achterkant van de UPS.
- 5 - Sluit de UPS aan en herstart het systeem volgens de hierboven beschreven procedures.
- 6 - Activeer het externe contact voor remote uitschakelen om de functie te testen.



Waarschuwing: deze connector mag uitsluitend op ZLVS-circuits (zeer lage veiligheidsspanning) aangesloten worden.

4. Toegang tot metingen en instellingen

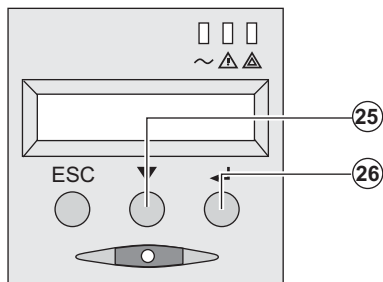
4.1 Overzicht displayweergaves



4.2 Toegang tot metingen

Door meerdere keren op de scrolltoets (25) te drukken komt u bij de status en eventuele alarmmeldingen en bij de metingen van spanning, stroom, frequentie, geleverd vermogen en gebruiksduur van de accu.

4.3 Instellingen via bedieningspaneel



- Druk een aantal keren op de scrolltoets (25) om naar het instellingenmenu te gaan.
- Met de Bevestigingstoets (26) gaat u naar de verschillende keuzemogelijkheden.
- Bevestig ten slotte uw keuze door opnieuw op de Bevestigingstoets (26) te drukken.

Lokale instellingen

Functie	Fabrieksinstellingen	Andere keuzemogelijkheden
Taal	Engels	Frans, Spaans, Duits, Italiaans, Nederlands
Akoestische waarschuwing	Aan	Uit

4. Toegang tot metingen en instellingen

Output-instellingen

Functie	Fabrieksinstellingen	Andere keuzemogelijkheden	Opmerkingen
Uitgangsspanning ⁽¹⁾	230 volt AC	200/208/220/240 volt AC	
Frequentie-omzetter ⁽¹⁾	Uit	Aan	De aangesloten apparatuur wordt nooit overgeschakeld op de By-pass
Uitgangsfrequentie ⁽¹⁾	Automatische selectie	50/60 Hz	Kan alleen door de gebruiker worden gekozen wanneer de frequentie-omzetter is ingeschakeld
Overschakeling op AC By-pass-elektriciteitsnet ⁽¹⁾	Als het AC By-pass-elektriciteitsnet de toleranties niet overschrijdt	Als het AC By-pass de toleranties overschrijdt	
Overbelastingsniveau ⁽¹⁾	102%	50 / 70%	Waarschuwing bij overschrijding drempelwaarde

(1) Deze parameters kunnen alleen worden gewijzigd wanneer de **UPS** is uitgeschakeld (OFF). Een uitgebreide toelichting is opgenomen in de **Personal Solution-Pac**-software.

Instellen Aan/Uit (ON/OFF)

Functie	Fabrieksinstellingen	Andere keuzemogelijkheden	Opmerkingen
Opstarten op accu	Aan	Uit	
Automatisch opnieuw opstarten	Aan	Uit	Automatisch opnieuw opstarten van de UPS bij terugkeer van de netspanning
Energiebesparing	Uit	Aan	Als de functie is ingeschakeld: automatisch uitschakelen van de accu bij vermogensniveau <5%
Waarnemen van fase-omkering/nulleider (SWF)	Uit	Aan	Als de functie is ingeschakeld: de UPS blijft op OFF staan als er een fase-omkering/nulleider wordt waargenomen

Instellingen accu

Functie	Fabrieksinstellingen	Andere keuzemogelijkheden	Opmerkingen
Accutest	Wekelijks	Geen test / dagelijks / maandelijks	
Keuzemogelijkheden gebruiksduur accu	Automatische detectie van het aantal accumodules	65-400 Ah	
Beveiliging van de accu tegen volledig ontladen	Aan	Uit	Als de functie is uitgeschakeld vervalt de garantie van EATON

4.4 Instellingen via externe software



- ▶ Plaats de **Solution-Pac**-CD-ROM in de CD-speler.
- ▶ Kies in het eerste venster van de browser "Solution Point à Point" (stapsgewijze oplossing) en volg de aanwijzingen om de **Personal Solution-Pac**-software te installeren.
- ▶ Kies vervolgens "Configuration" (configuratie) en dan "Configuration avancée" (geavanceerd) en "Paramètres onduleur" (parameters wisselrichter).

Let op: de versies voor Linux/Unix/MacOS van de **Personal Solution-Pac**-software hebben deze mogelijkheid niet.

5. Onderhoud

5.1 Problemen oplossen



Als lampje (21) of (22) brandt, is er sprake van een storing of van een alarm.
Gebruik de Knop Stoppen toets (24) om het alarm uit te schakelen.

	Gebeurtenis	Oorzaak	Oplossing
1	De UPS start niet, op de alfanumerieke display staat: COLD START NOK CHECK AC WIRING	De netspanning is afwezig of aangesloten op de uitgang van de UPS.	Controleer of de UPS correct op de netspanning aangesloten is.
2	Lampje (22) brandt, en lampje SWF (11) brandt op de achterkant van de UPS. Op de alfanumerieke display staat: FASE/NUL VERW. CONTR. BEDRADING	Fase-omkering van het voedingsnet. De UPS schakelt niet in.	<ul style="list-style-type: none"> ▶Herstel voor elektriciteitsnetten met geaarde nulleider de bekabeling als volgt: maak de netwerkaansluiting los en draai hem 180° (type DIN-SCHUKO) of schakel een elektricien in om de aansluiting te wijzigen. ▶Schakel de detectie uit voor alle andere typen elektriciteitsnetten.
3	Lampje (22) brandt, op de alfanumerieke display staat: GEEN BATTERIJ CONTR. AANSLUIT.	De accu is niet goed aangesloten.	Controleer de aansluiting van de accu (zie §5.2, Vervangen van de accumodule).
4	Lampje (22) brandt, op de alfanumerieke display staat: BATTERIJ FOUT BEL EATON SERVICE	Er is een storing aan de accu waargenomen.	Vervang de accu (zie §5.2, Vervangen van de accumodule). Neem contact op met de service- afdeling.
5	Lampje (21) brandt, op de alfanumerieke display staat: BEL. TE GROOT VERMINDER BEL.	Het belastingniveau is hoger dan het geprogrammeerde overbelastingniveau of de capaciteit van de UPS.	Controleer het vermogen dat wordt opgenomen door de aangesloten apparatuur en ontkoppel minder belangrijke apparatuur. Controleer de geprogrammeerde overbelastingniveau.
6	Lampje (22) brandt, op de alfanumerieke display staat: BEL. ONBESCHERMD BEL. TE GROOT	De UPS is overbelast. De aangesloten apparatuur wordt direct door de netspanning gevoed via het Bypass-circuit.	Controleer het vermogen dat wordt opgenomen door de aangesloten apparatuur en ontkoppel minder belangrijke apparatuur.
7	Lampje (22) brandt, op de alfanumerieke display staat: VERMINDER BEL. RESTART UPS	Als gevolg van herhaaldelijke overbelasting is de UPS geblokkeerd in Bypass-stand. De aangesloten apparatuur wordt direct door de netspanning gevoed.	Controleer het vermogen dat wordt opgenomen door de aangesloten apparatuur en ontkoppel minder belangrijke apparatuur. Schakel de UPS uit en vervolgens weer in om terug te gaan naar normale modus.
8	Lampje (22) brandt, op de alfanumerieke display staat: BEL. TE GROOT VERMINDER BEL.	De UPS is automatisch uitgeschakeld vanwege een aanzienlijke overbelasting.	Controleer het vermogen dat wordt opgenomen door de aangesloten apparatuur en ontkoppel minder belangrijke apparatuur.
9	Lampje (22) brandt, op de alfanumerieke display staat: UITG. KORTGESL. CONTR. BEDRADING	De UPS is automatisch uitgeschakeld vanwege kortsluiting aan de uitgang van de UPS.	Controleer de installatie aan de uitgang van de UPS (bekabeling, storingen in apparatuur).
10	Lampje (22) brandt, op de alfanumerieke display staat: INTERNE FOUT BEL EATON SERVICE	in de UPS heeft zich een interne storing voorgedaan. Er zijn twee mogelijkheden: <ul style="list-style-type: none"> ▶ de aangesloten apparatuur wordt nog steeds gevoed maar dan wel rechtstreeks door het elektrische By-passnet, ▶ de aangesloten apparatuur wordt niet meer gevoed. 	Neem contact op met de service- afdeling.
11	Op de alfanumerieke display staat: WORDT UITGESCH. RPO	De UPS is uitgeschakeld door inwerkingtreding van het "noodstop"-contact (RPO).	Zet het contact weer in zijn normale stand en druk op de ON/ OFF-knop om weer in te schakelen.

Storingen op een UPS met HotSwap MBP-module



	Probleem	Oorzaak	Oplossing
12	De aangesloten apparatuur wordt niet gevoed wanneer de draaischakelaar (49) van de HotSwap MBP -module op By-pass staat.	<ul style="list-style-type: none"> De apparatuur is aangesloten op de uitgang van de UPS en niet op de HotSwap MBP-module. De voedingskabel naar het elektriciteitsnet is aangesloten op de ingang van de UPS en niet op de HotSwap MBP-module. 	Controleer de bekabeling tussen de UPS en de HotSwap MBP -module (zie §2.6).
13	De aangesloten apparatuur wordt niet gevoed wanneer de draaischakelaar (49) van de HotSwap MBP -module op Normal staat.	<ul style="list-style-type: none"> De UPS is uit. Er is een probleem met de kabels tussen de UPS en de HotSwap MBP-module. 	<ul style="list-style-type: none"> Start de UPS. Controleer de kabels tussen de UPS en de HotSwap MBP-module (zie §2.6).
14	De aangesloten apparatuur wordt niet gevoed vanwege een storing in het elektriciteitsnet.	<ul style="list-style-type: none"> De draaischakelaar (49) van de HotSwap MBP-module staat op By-pass. Er is een probleem met de kabels tussen de UPS en de HotSwap MBP-module. 	<ul style="list-style-type: none"> Zet de draaischakelaar (49) van de HotSwap MBP-module op Normal. Controleer de kabels tussen de UPS en de HotSwap MBP-module (zie §2.6).

Druk bij uitval van de UPS door een storing op de Aan/Uit-knop (27) om de storing te kwiteren.

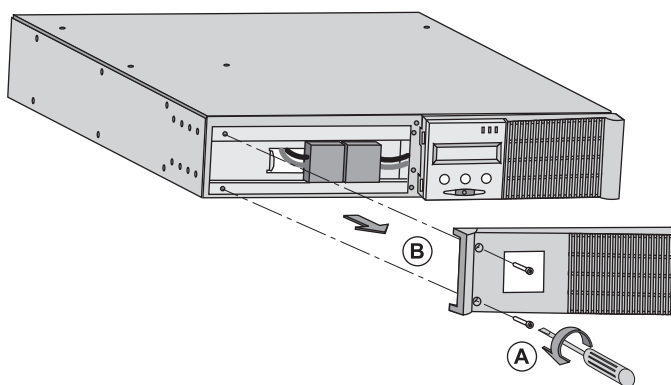
5.2 Vervangen van de accumodule

Let op: neem de volgende veiligheidsvoorschriften in acht:

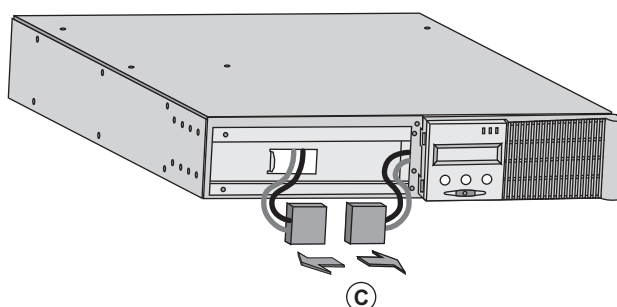
Bij werken aan de accu bestaat de kans op elektrische schokken en een hoge kortsluitstroom. Neem daarom altijd de volgende veiligheidsmaatregelen in acht:

- Draag geen horloges, ringen, armbanden of andere metalen voorwerpen aan uw handen,
- Gebruik gereedschap met een geïsoleerde handgreep.

Demonteren van de accumodule

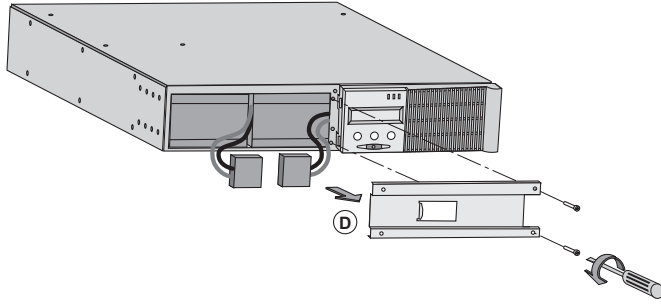


- A** - Schroef het linkerdeel van de voorkant los. Dit is met 2 schroeven bevestigd.
- B** - Verwijder dit deel.

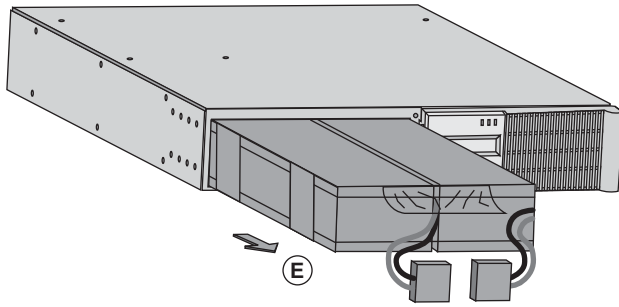


- C** - Koppel het accublok af door de beide connectoren uit elkaar te trekken (nooit aan de kabels trekken).

5. Onderhoud



D - Verwijder de metalen beschermkap van de accu. Deze is met 2 schroeven bevestigd.



E - Trek aan de plastic lip om het accublok uit het toestel te halen en vervang het accublok.

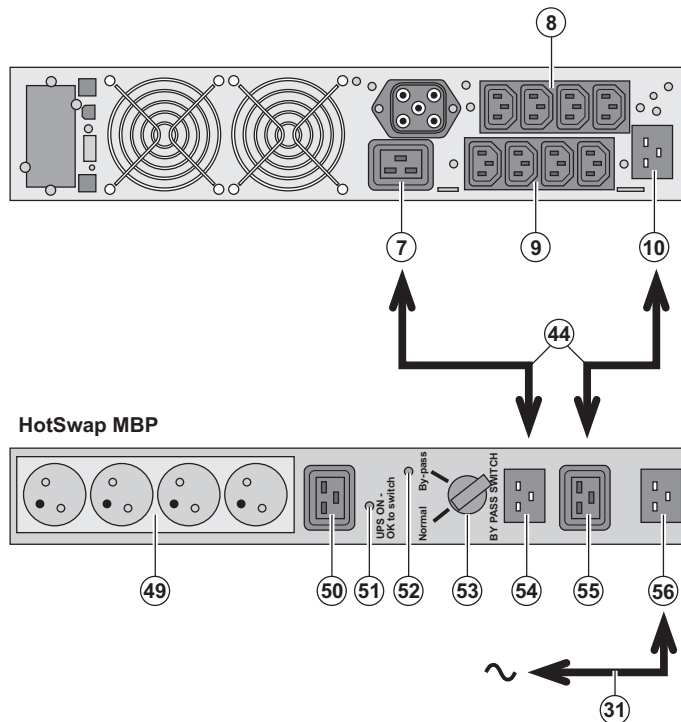
Plaatsen van de nieuwe accumodule

Voer bovenstaande handelingen in omgekeerde volgorde uit.



- Gebruik met het oog op de veiligheid en optimale prestaties alleen accu-elementen die door EATON worden geleverd.
- Druk bij het aansluiten de connectoren goed in elkaar.

5.3 Onderhoud van een UPS met een HotSwap MBP-module



De **HotSwap MBP**-module dient om onderhoud en eventueel vervanging van de UPS mogelijk te maken zonder gevolgen voor de elektrische voeding van de aangesloten apparatuur (**HotSwap**-functie).

Onderhoud:

1 - Zet schakelaar (**53**) op By-pass: het rode lampje van de **HotSwap MBP**-module gaat branden om aan te geven dat de apparatuur rechtstreeks vanuit het elektriciteitsnet wordt gevoed.

2 - Schakel de UPS uit door op de Aan/Uit-knop (**27**) aan de voorkant van de UPS te drukken: het lampje (**51**) "UPS ON - OK to switch" gaat uit, de UPS kan nu worden afgekoppeld en vervangen.

Terug naar normaal bedrijf:

1 - Controleer of de UPS goed is aangesloten op de **HotSwap MBP**-module.

2 - Schakel de UPS in door op de Aan/Uit-knop (**27**) op de voorkant van de UPS te drukken: het lampje (**51**) "UPS ON - OK to switch" gaat branden op de **HotSwap MBP**-module (zo niet, dan is er een probleem met de aansluiting van de **HotSwap MBP**-module op de UPS).

3 - Zet de schakelaar (**53**) op Normal: het rode lampje van de **HotSwap MBP**-module gaat uit.

5.4 Trainingscentrum

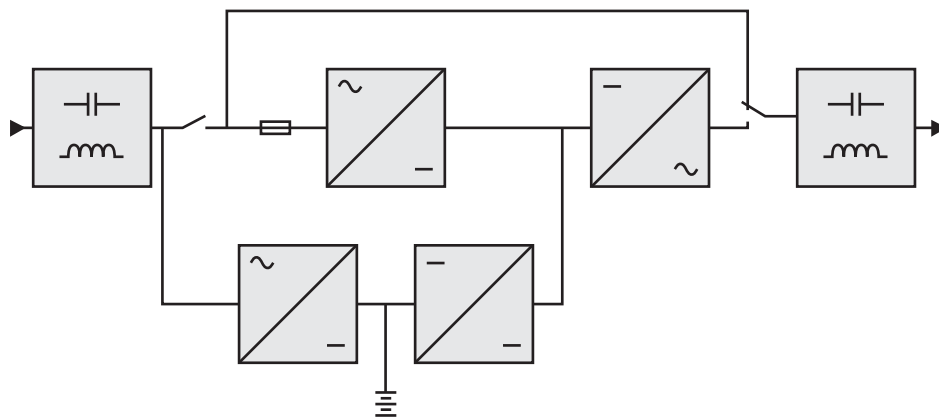


Om volledig vertrouwd te raken met het gebruik van uw toestel van EATON en om op het hoogste niveau problemen te kunnen verhelpen, bieden wij u een compleet programma met technische trainingen aan. Deze worden in het Engels en het Frans gegeven.

For further information, please visit our website: www.eaton.com

6. Bijlagen

6.1 Technische gegevens



	EX 2200	EX 3000	EX 3000 XL	EX EXB
Uitgangsvermogen	2200 VA ⁽¹⁾ / 1980 W	3000 VA ⁽²⁾ / 2700 W ⁽³⁾	3000 VA ⁽²⁾ / 2700 W ⁽³⁾	
Elektrisch voedingsnet	<ul style="list-style-type: none"> ▶ Nominale ingangsspanning ▶ Bereik ingangsspanning ▶ Frequentie ▶ Vermogensfactor ▶ Lekstroom 			
	Enkelfasig 230 V 110 / 140 / 200 V tot 284 V ⁽⁴⁾ 50/60 Hz (automatische keuze) > 0,95 < 2 mA			
Gebruikersoutput	<ul style="list-style-type: none"> ▶ Spanning ▶ Frequentie ▶ Harmonische vervorming ▶ Overbelastingcapaciteit ▶ Stroom 			
	Enkelfasig 230 V ±3% ⁽⁵⁾ 50/60 Hz ±0,5% ⁽⁶⁾ < 4% op lineaire belasting, < 6% op niet-lineaire belasting 102% permanent, 105% 20s, > 130% 1,5s			
	9,6 A ⁽⁷⁾	13 A ⁽⁸⁾		
Accu	6 x 12V - 7 Ah, lood, vloeistofdicht, onderhoudsvrij	6 x 12V - 9 Ah, lood, vloeistofdicht, onderhoudsvrij	Zonder interne batterij	2 ketens van 6 x 12 V - 9 Ah, lood, vloeistofdicht, onderhoudsvrij
Omgeving	<ul style="list-style-type: none"> ▶ Bedrijfstemperatuur ▶ Luchtvochtigheid ▶ Opslagtemperatuur ▶ Hoogte ▶ Geluidsniveau 			
	0°C tot 40°C 20% tot 90% (zonder condensatie) -25°C tot 40°C 1000 m			
	< 46 dBA		< 50 dBA	

(1) Afhankelijk van de geselecteerde uitgangsspanning (200 V / 208 V / 220 V / **230 V** / 240 V), is het uitgangsvermogen 1980 VA / 1980 VA / 2200 VA / **2200 VA** / 2200 VA.

(2) Afhankelijk van de geselecteerde uitgangsspanning (200 V / 208 V / 220 V / **230 V** / 240 V), is het uitgangsvermogen 2700 VA / 2700 VA / 3000 VA / **3000 VA** / 3000 VA.

(3) Uitgangsvermogen van 2700 W standaard en 2400 W met **EXB**-module.

(4) Waarden voor 33% / 66% / 100% van het vermogen van de UPS.

(5) Instelbaar via de **UPS Config** software (200 V / 208 V / 220 V / **230 V** / 240 V).

(6) Frequentie-omzetting programmeerbaar met **UPS Config**-software.

(7) Afhankelijk van de geselecteerde uitgangsspanning (200 V / 208 V / 220 V / **230 V** / 240 V), is het uitgangsvermogen 9,9 A / 9,5 A / 10 A / **9,6 A** / 9,2 A.

(8) Afhankelijk van de geselecteerde uitgangsspanning (200 V / 208 V / 220 V / **230 V** / 240 V), is het uitgangsvermogen 13,5 A / 13 A / 13,6 A / **13 A** / 12,5 A.

6.2 Definities

AC By-pass	Aftakking van het elektriciteitsnet die door de UPS wordt bediend en waarmee apparatuur rechtstreeks vanuit het elektriciteitsnet kan worden gevoed bij overbelasting of storing van de wisselrichter.
Accutest	Interne test van de UPS om de toestand van de accu te controleren.
AC Normal	Dit is het elektriciteitsnet waarmee de UPS onder normale omstandigheden wordt gevoed.
Apparatuur	Toestellen of voorzieningen die op de uitgang van de UPS zijn aangesloten.
Belasting	Verhouding tussen het door de op de UPS aangesloten apparatuur opgenomen vermogen en het maximale vermogen dat de UPS kan leveren.
Drempelwaarde voor de waarschuwing "Accu bijna leeg"	Dit is een drempelwaarde voor het niveau van de accuspanning waarmee kan worden gemeten of de gebruiksduur van de accu binnenkort zal verstrijken; er kunnen dan de nodige maatregelen worden genomen met het oog op het wegvallen van de spanning op de apparatuur.
FlexPDU	Module met contactdozen van de UPS ten behoeve van installatie in een kast. Er bestaan verschillende modules met verschillende contactdozen.
Frequentie-omzetter	Functie voor het omzetten van de frequentie van het elektriciteitsnet tussen de ingang en de uitgang van de UPS (50 Hz -> 60 Hz of 60 Hz -> 50 Hz).
Gebruiksduur	De tijd gedurende welke de apparatuur wordt gevoed door de UPS wanneer deze op accubedrijf draait.
HotSwap MBP	Module voor handmatig omschakelen van de UPS met het oog op onderhoud. Er bestaan verschillende modules met verschillende contactdozen.
Instellingen	Programmering van een aantal parameters die afwijkt van de standaardconfiguratie die in de fabriek is ingesteld. Een aantal functies van de UPS kan worden gewijzigd met de Personal Solution-Pac -software, om ze beter af te stemmen op uw wensen.
Opstarten op accu	Hiermee kan de spanning op de aangesloten apparatuur worden ingeschakeld wanneer het elektriciteitsnet uitvalt. De UPS werkt dan alleen op de accu.
Programmeerbare contactdozen	Contactdozen die automatisch kunnen worden ontlast gedurende de gebruikstijd van de accu (openingsvertraging instelbaar met de Personal Solution Pac)-software. De UPS heeft twee groepen van twee programmeerbare contactdozen.
Softwarematig in- en uitschakelen van de wisselrichter	De beveiligingssoftware van computersystemen kan zo worden ingesteld dat het starten van in- en uitschakelprocedures van de UPS al dan niet wordt geblokkeerd.
UPS	Uninterruptible Power Supply (ononderbroken stroomvoorziening).
Volledige ontlading	Ontlading van de accu tot voorbij het toegestane niveau, met onherstelbare schade aan de accu tot gevolg.

EX

2200 RT 2U

2200 RT 3U

3000 RT 2U

3000 RT 3U

3000 RT 3U XL

EXB RT 3U

**Руководство
по установке
и эксплуатации**

Русский



Pulsar Series

EATON

Powering Business Worldwide

Мы благодарим вас за то, что вы выбрали одно из изделий компании EATON для обеспечения безопасности ваших применений.

Серия **EX** была разработана с учетом самых строгих требований.

Чтобы наилучшим способом использовать все возможности вашего аппарата бесперебойного питания (АБП), рекомендуем вам тщательно ознакомиться с настоящим руководством.

Перед установкой аппарата **EX** внимательно прочтите его описание, которое содержит обязательные инструкции по технике безопасности. Затем следовать инструкциям настоящего руководства.

Вы можете ознакомиться с предложениями компании EATON, а также с факультативными вариантами серии **EX** на нашем сайте Web: www.eaton.com. Вы можете также связаться с местным представителем компании EATON.

Охрана окружающей среды

Компания EATON ведет политику охраны окружающей среды. Наши изделия разработаны с учетом принципов экологической чистоты.

Вредные вещества

Настоящий аппарат не содержит ни хлорфторуглеродов (CFC), ни фторсодержащих углеводородов (HCFC), ни асбеста.

Упаковка

Отделить элементы упаковки друг от друга для облегчения обработки отходов и их утилизации.

- ▶ Картонная коробка содержит более 50% утилизованного картона.
- ▶ Мешки и пакеты изготовлены из полиэтилена.
- ▶ Материалы упаковки могут утилизироваться и отмечаются следующим идентификационным символом



Материал	Сокращенное название	Номер в символе
Полиэтилентерефталат	ПЭТ (PET)	01
Полиэтилен высокой плотности	ПЭВП (HDPE)	02
Поливинилхлорид	ПВХ (PVC)	03
Полиэтилен низкой плотности	ПЭНП (LDPE)	04
Полипропилен	ПП (PP)	05
Полистирол	ПС (PS)	06

При захоронении материалов упаковки соблюдать действующие местные нормативные требования.

Конец срока службы

Компания EATON обязуется перерабатывать изделия в конце срока их службы в соответствии с местными нормативными требованиями, сотрудничая с предприятиями, занимающимися сбором и уничтожением подобных изделий по окончании срока их службы.

Аппарат

Настоящий аппарат изготовлен из утилизируемых материалов.

Его разборка и уничтожение должны производиться в соответствии с действующими местными нормативными требованиями, касающимися отходов.

По окончании срока службы данный аппарат должен быть отправлен в центр обработки отходов электротехнической и электронной промышленности.

Аккумуляторная батарея





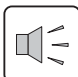
Настоящий аппарат содержит свинцовые гальванические элементы, с которыми следует обращаться согласно действующим местным нормативным требованиям, касающимся аккумуляторных батарей.

Для соблюдения этих нормативных требований и безотходного уничтожения аккумуляторной батареи можно вынуть ее из аппарата.


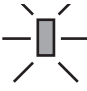

Технические карты данных по безопасности «Material Safety Data Sheet» (MSDS) аккумуляторных батарей можно получить на нашем сайте Web.

Вступление

Используемые графические символы

	Обязательные инструкции.
	Информация, рекомендации, помощь.
	Визуальная индикация для наблюдения.
	Выполняемое действие.
	Звуковая сигнализация.

Следующие условные обозначения используются для представления световых индикаторов на иллюстрациях:

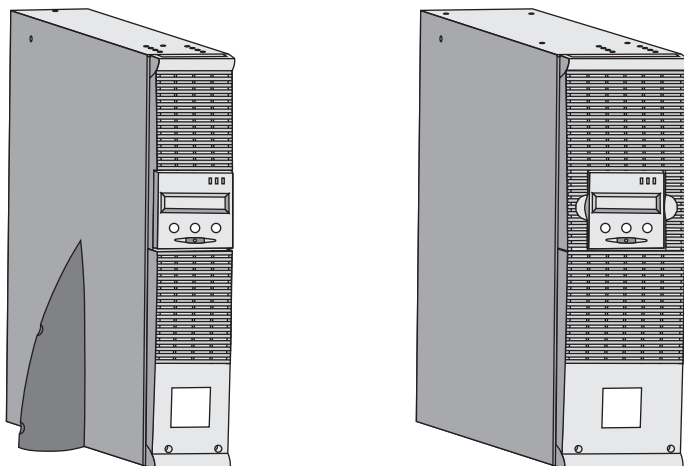
	Световой индикатор не горит.
	Световой индикатор горит.
	Световой индикатор мигает.

1. Презентация	
1.1 Стандартные исполнения.....	6
Вертикальное исполнение.....	6
Исполнение для установки в стойку	6
1.2 Задние панели	7
EX 2200 / 3000.....	7
EX EXB (факультативный блок аккумуляторной батареи)	7
1.3 Панель визуализации и управления	7
2. Установка	
2.1 Распаковка и проверка содержимого.....	8
2.2 Установка в вертикальном положении	9
2.3 Установка в стойку	9
2.4 Порты связи	10
Соединение порта связи RS-232 или USB (факультативно)	10
Установка плат связи (по спецзаказу)	10
2.5 Соединения с блоком FlexPDU (Power Distribution Unit).....	11
2.6 Соединения с блоком HotSwap MBP.....	11
Работа блока HotSwap MBP	12
2.7 Соединение АБП без блока FlexPDU или HotSwap MBP	12
3. Эксплуатация	
3.1 Пуск в действие и работа в нормальном режиме	13
3.2 Работа от аккумуляторной батареи	13
3.3 Восстановление напряжения сети.....	14
3.4 Отключение АБП	14
3.5 Использование функций дистанционного управления АБП	14
4. Доступ к функциям измерения и персонализации	
4.1 Структура дисплея.....	16
4.2 Доступ к функциям измерения	16
4.3 Персонализация с панели управления	16
4.4 Персонализация с помощью внешнего программного обеспечения	17
5. Техобслуживание	
5.1 Неисправности	18
Неисправности АБП, оборудованного блоком HotSwap MBP	19
5.2 Замена блока батареи	19
Напоминание о правилах по технике безопасности	19
Демонтаж блока батареи.....	19
Установка нового блока батареи.....	20
5.3 Техобслуживание АБП, оборудованного блоком HotSwap MBP	20
5.4 Учебно-тренировочный центр	21
6. Приложения	
6.1 Технические характеристики	22
6.2 Глоссарий	23

1. Презентация

1.1 Стандартные исполнения

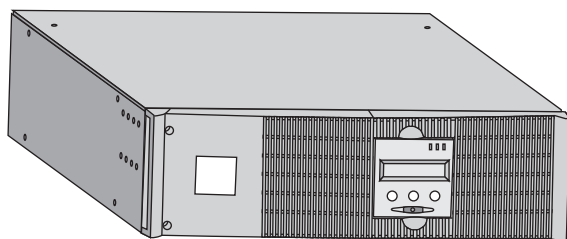
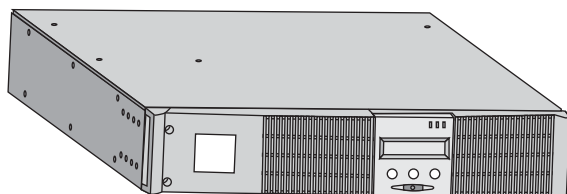
Вертикальное исполнение



Размеры в мм (выс. x шир. x глуб.)	
EX 2200 RT 2U	440 x 86 x 640
EX 2200 RT 3U	440 x 131 x 490
EX 3000 RT 2U	440 x 86 x 640
EX 3000 RT 3U	440 x 131 x 490
EX 3000 RT 3U XL	440 x 131 x 490
EX EXB RT 3U	440 x 131 x 490

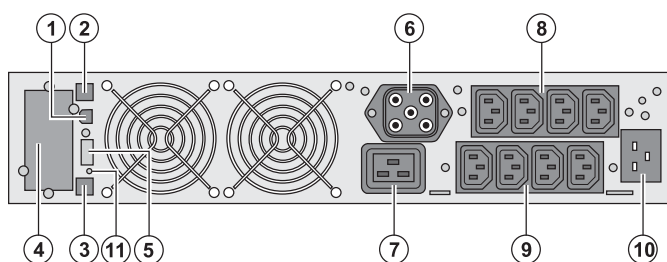
Масса в кг	
EX 2200 RT 2U	31
EX 2200 RT 3U	30
EX 3000 RT 2U	31
EX 3000 RT 3U	30
EX 3000 RT 3U XL	17
EX EXB RT 3U	42

Исполнение для установки в стойку



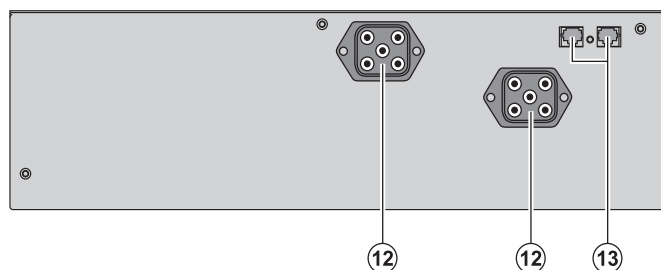
1.2 Задние панели

EX 2200 / 3000 / 3000 XL



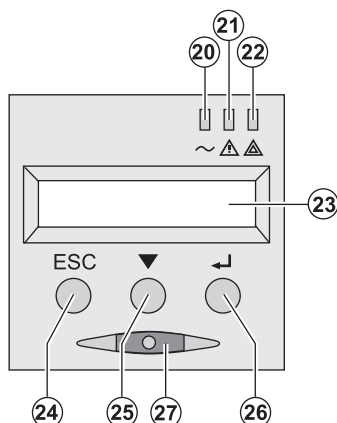
- (1) Порт связи USB
- (2) Порт связи RS-232
- (3) Разъем для автоматического распознавания дополнительного блока аккумуляторной батареи
- (4) Паз для факультативной платы связи
- (5) Разъем для подсоединения дистанционного пульта включения/выключения и аварийного останова
- (6) Разъем для подсоединения дополнительного блока аккумуляторной батареи
- (7) Разъем 16 А для подсоединения оборудования
- (8) 2 группы по 2 программируемых разъема для подсоединения оборудования
- (9) Группа из 4 разъемов для подсоединения оборудования
- (10) Разъем для соединения с сетью электропитания
- (11) Световой индикатор сигнализации инверсии фазы/нейтрали сети электропитания (SWF)

EX EXB (факультативный блок аккумуляторной батареи)



- (12) Разъемы для подсоединения блоков аккумуляторной батареи (к АБП или к другим блокам батареи)
- (13) Разъемы для автоматического распознавания блоков батареи

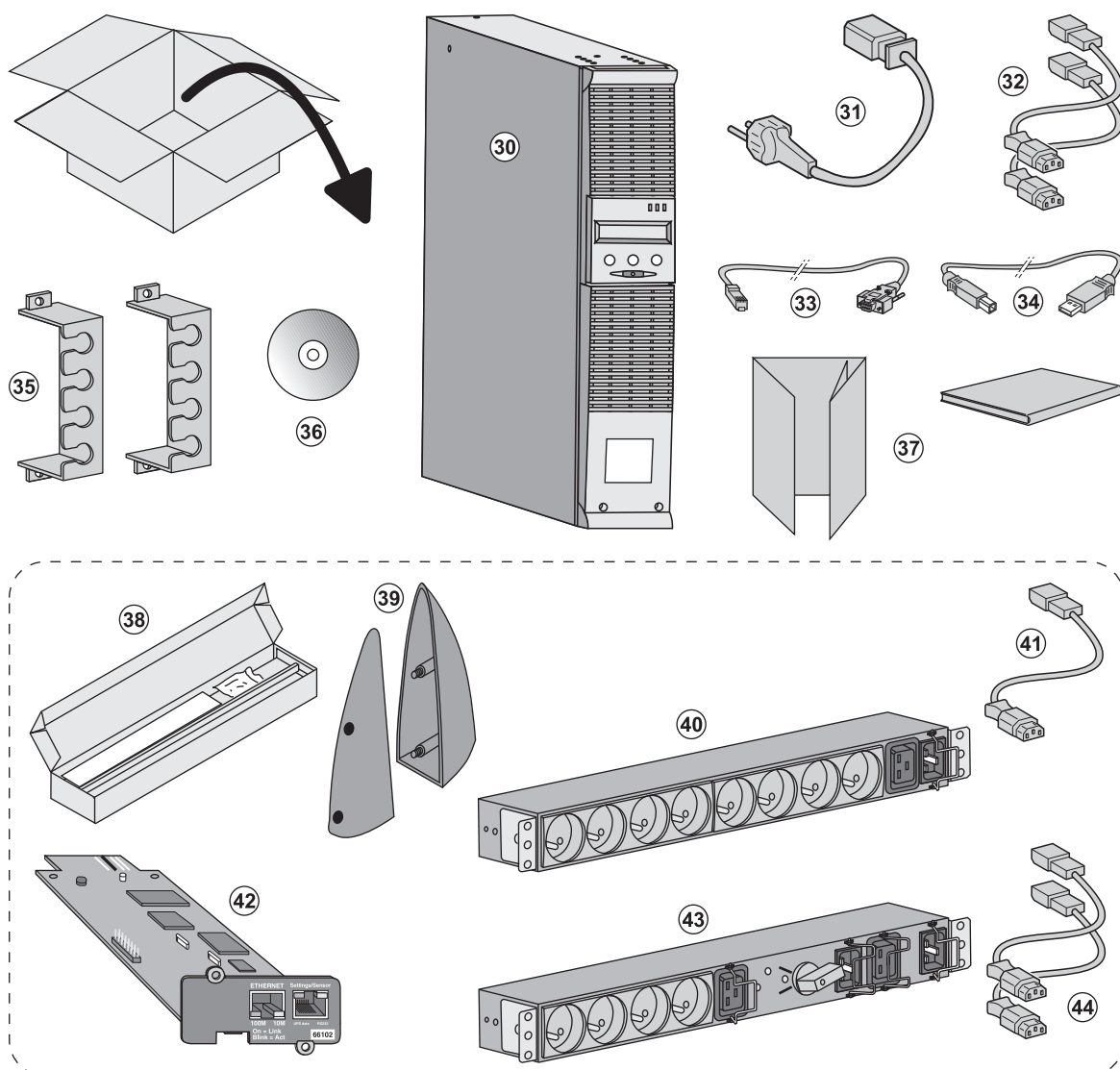
1.3 Панель визуализации и управления



- (20) Световой индикатор защищенного оборудования
- (21) Световой индикатор работы в пониженном режиме
- (22) Световой индикатор незащищенного оборудования
- (23) Буквенно-цифровой дисплей
- (24) Кнопка прекращения, возврата
- (25) Кнопка прокрутки
- (26) Кнопка подтверждения
- (27) Кнопка включения/выключения (ON/OFF) АБП и выходных разъемов

2. Установка

2.1 Распаковка и проверка содержимого



(30) АБП EX 2200 / 3000 / 3000 XL

(31) Шнур питания

(32) 2 шнура для подсоединения оборудования

(33) Кабель связи RS-232

(34) Кабель связи USB

(35) 2 системы фиксации шнуров питания оборудования

(36) Компакт-диск **Solution-Pac**

(37) Документация

Элементы, поставляемые в зависимости от варианта или факультативно:

(38) Набор для монтажа в стойку 19"

(39) 2 ножки для удержания в вертикальном положении (только вариант 2U)

(40) Блок **FlexPDU** (факультативный)

(41) Шнур для соединения блока **FlexPDU** с АБП

(42) Плата связи **NMC** (факультативная)

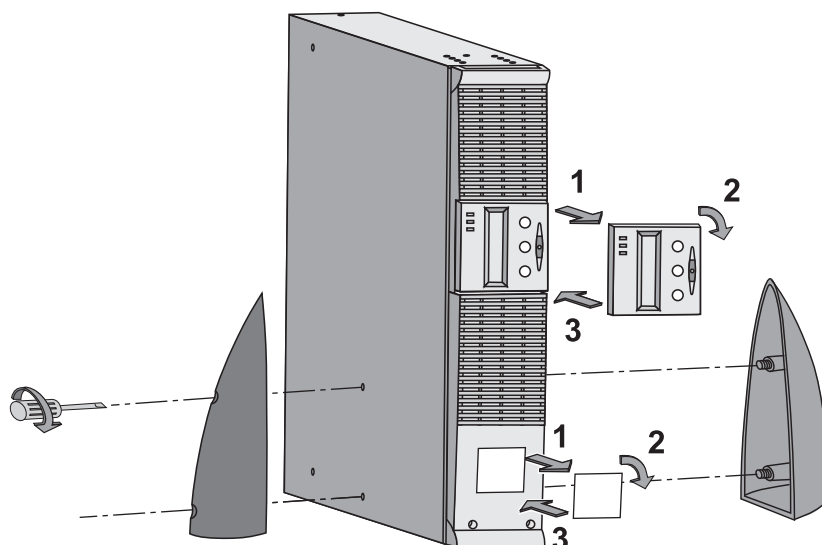
(43) Блок **HotSwap MBP** (факультативный)

(44) Шнуры для соединения блока **HotSwap MBP** с АБП



Элементы упаковки должны уничтожаться в соответствии с действующими нормативными правилами, касающимися отходов. На каждом элементе имеется графический символ утилизации для облегчения сортировки.

2.2 Установка в вертикальном положении

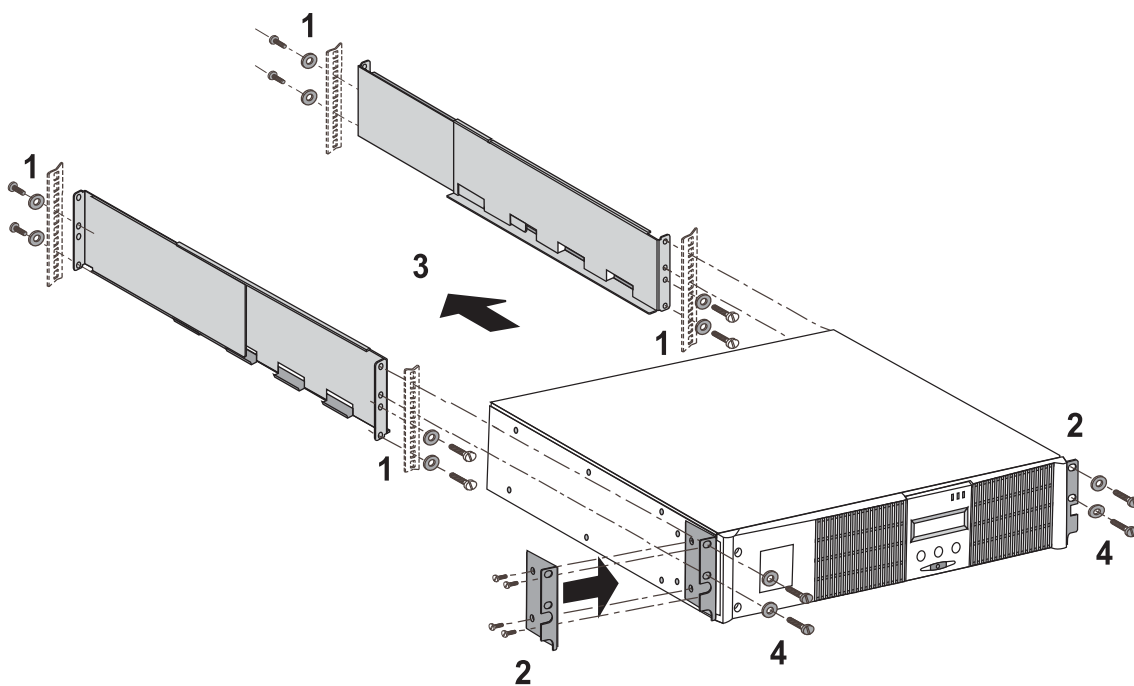


2.3 Установка в стойку

Рекомендуется прежде всего установить блок аккумуляторной батареи, а затем силовой блок, изображенный выше.



Для установки блока на рельсы выполнить пункты с 1 по 4.



Рельсы и необходимые крепежные изделия поставляются компанией EATON

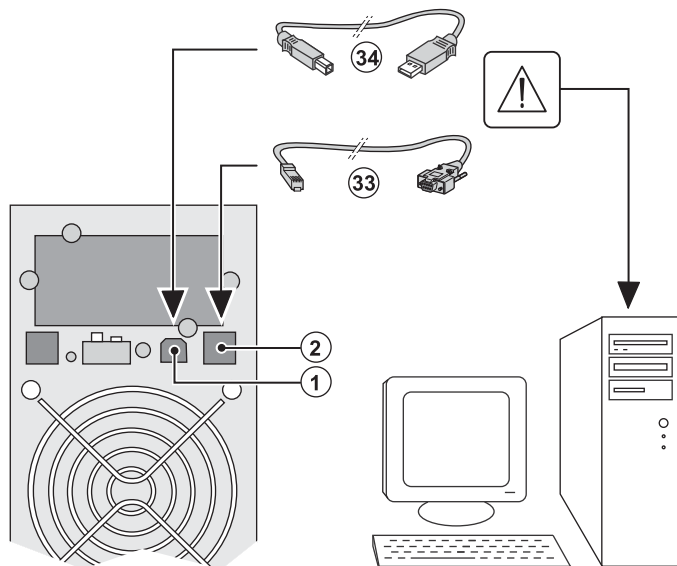
2. Установка

2.4 Порты связи

Соединение порта связи RS-232 или USB (факультативно)



Порты связи RS-232 и USB не могут работать одновременно.

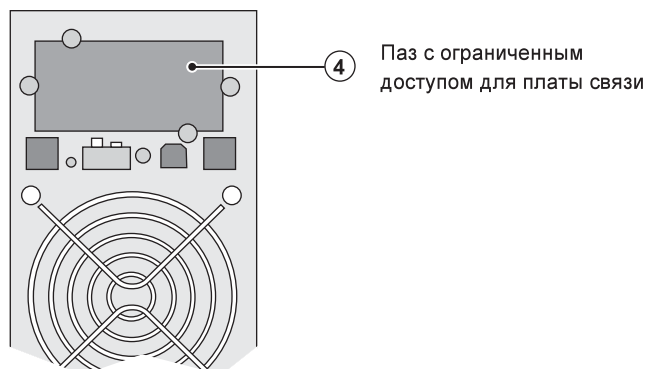


1 - Подсоединить кабель связи RS-232 (33) или USB (34) к последовательному порту или порту USB оборудования информатики.

2 - Соединить другой конец кабеля связи (33) или (34) с портом связи USB (1) или RS-232 (2) АБП.

Начиная с этого момента АБП может вести диалог с программным обеспечением административного управления, персонализации или обеспечения безопасности компании EATON.

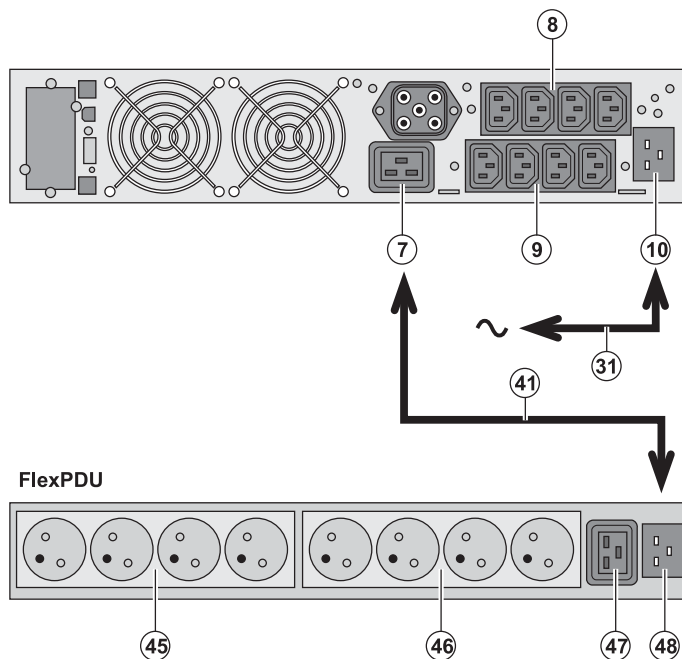
Установка плат связи (по спецзаказу)



Для установки платы связи необходимо выключить АБП:

- 1 - Снять с АБП крышку (4), которая крепится винтами.
- 2 - Вставить плату связи в предусмотренный для нее паз
- 3 - Закрепить крышку платы винтами.

2.5 Соединения с блоком FlexPDU (Power Distribution Unit, т. е. Блок распределения питания) (по спецзаказу)



1 - Соединить входной разъем АБП (10) с сетью электропитания с помощью поставляемого шнура (31).

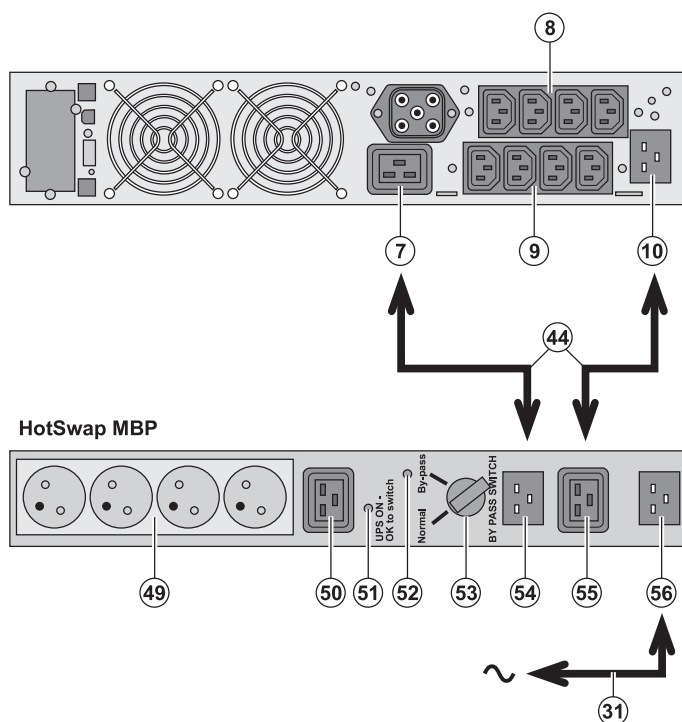
2 - Соединить входной разъем электропитания блока FlexPDU (48) с выходным разъемом (7) АБП с помощью поставляемого шнура (41). Этот кабель и эти разъемы имеют красную маркировку.

3 - Соединить оборудование с разъемами (45), (46) и (47) блока FlexPDU. Эти разъемы могут быть различного типа, в зависимости от варианта блока FlexPDU.

4 - Зафиксировать кабели в нужном положении с помощью металлических фланцев разъемов.

2.6 Соединения с блоком HotSwap MBP (по спецзаказу)

Блок HotSwap MBP обеспечивает техобслуживание и, при необходимости, замену АБП таким образом, чтобы это не повлияло на электропитание соединенного с ним оборудования (функция HotSwap).



1 - Соединить входной разъем (56) блока HotSwap MBP с сетью электропитания с помощью поставляемого шнура (31).

2 - Соединить входной разъем электропитания АБП (10) с разъемом «UPS Input» (Вход АБП) (55) блока HotSwap MBP с помощью поставляемого шнура (44). Эти кабели и разъемы имеют синюю маркировку.

3 - Соединить выходной разъем АБП (7) с разъемом «UPS Output» (Выход АБП) (54) блока HotSwap MBP с помощью поставляемого шнура (44). Эти кабели и разъемы имеют красную маркировку.

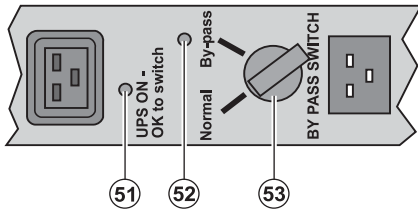
4 - Соединить оборудование с выходными разъемами (49) и (50) блока HotSwap MBP. В зависимости от варианта блока HotSwap MBP эти разъемы могут быть различного типа.

Внимание! Не использовать выходные разъемы АБП (8) и (9) для питания оборудования, т. к. в этом случае поворот переключателя (53) блока HotSwap MBP вызовет отключение питания этого оборудования. Поэтому мы рекомендуем не снимать защитную пленку с разъемов (8) и (9).



2. Установка

Работа блока HotSwap MBP



Блок **HotSwap MBP** имеет поворотный переключатель (53) на 2 положения:
Normal (Нормальное): оборудование получает питание от АБП.
By-pass (Байпас): оборудование получает питание от сети.

Пуск в действие АБП с блоком HotSwap MBP

- 1 - Убедиться, что АБП правильно соединен с блоком **HotSwap MBP**.
 - 2 - Установить переключатель (53) в положение «Normal» (Нормальное).
 - 3 - Включить АБП, нажав на кнопку включения/выключения (27) на передней панели АБП.
- Оборудование будет получать питание от АБП.
На блоке **HotSwap MBP** загорается световой индикатор (51) «UPS ON – OK to switch» (АБП Вкл. – готов к включению).

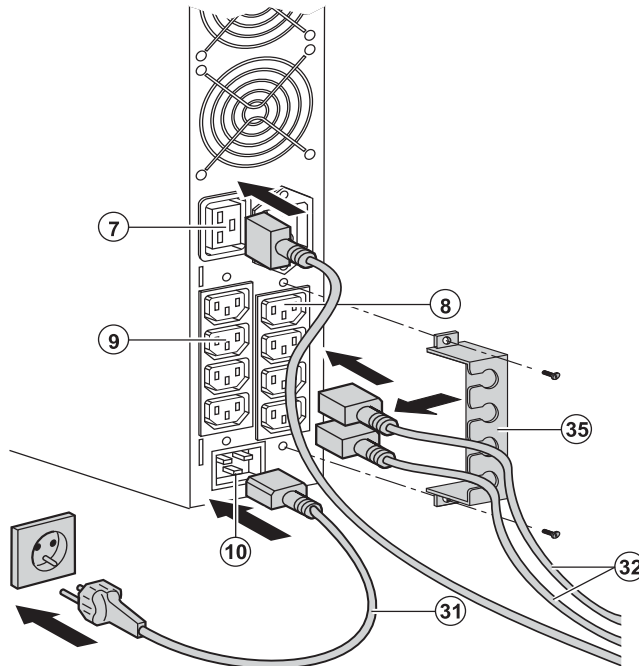
Тест блока HotSwap MBP

- 1 - Установить переключатель (53) в положение «By-pass» и убедиться, что оборудование остается запитанным.
- 2 - Вновь установить переключатель (53) в положение «Normal».

2.7 Соединение АБП без блока FlexPDU или HotSwap MBP



Убедиться, что данные на паспортной табличке с задней стороны аппарата соответствуют сети электропитания, а также фактическому потреблению каждой единицы оборудования.



- 1 - Соединить поставляемый шнур питания (31) (250 В – 16 А) с разъемом (10), а затем со штепсельной розеткой сети.
- 2 - Подсоединить оборудование к АБП с помощью шнуров (32).
Рекомендуется подсоединять приоритетное оборудование к 4 разъемам (9), а неприоритетное – к 4 разъемам (8), которые могут программироваться парами (1 и 2).
Соединять более мощное оборудование с разъемом (7), обеспечивающим ток 16 А.

Чтобы иметь возможность запрограммировать отключение разъемов (8) в течение автономной работы батареи и тем самым оптимизировать продолжительность этой автономной работы, необходимо иметь доступ к программному обеспечению связи EATON.

- 3 - Закрепить соединения с помощью системы фиксации кабелей (35).



Примечание. Аппарат перезаряжает свою батарею, как только подключается к сети электропитания, даже без нажатия на кнопку (27).

После первого включения необходимо как минимум 8 часов, чтобы батарея достигла своей нормальной продолжительности автономной работы.

EX 3000 XL: по крайней мере один дополнительный батарейный блок EXB должен быть подсоединен к ИБП, так как он не имеет внутренних батарей.

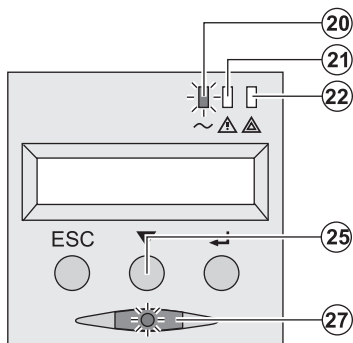
Более подробную информацию о соединениях можно найти в руководстве по установке батарейного блока EXB (документ № 34008167).



3.1 Пуск в действие и работа в нормальном режиме



При первом пуске наличие питания от сети необходимо для обнаружения возможной ошибки монтажа. В дальнейшем аппарат может запускаться при отсутствии питания от сети.



Нажать на кнопку (27) и удерживать ее приблизительно 1 секунду.

- ▶ Зуммер издает короткий звуковой сигнал, и все световые индикаторы одновременно загораются.
- ▶ Затем зуммер издает 2 коротких звуковых сигнала во время автоматического теста, затем подсветка кнопки (27) остается зажженной, сигнализируя наличие питания на выходных разъемах.

Подсоединенное оборудование защищено АБП.

- ▶ Световой индикатор (20) горит.
- Если горит световой индикатор (22), это означает наличие неисправности (см. главу «Неисправности»).
- ▶ В режиме нормальной работы кнопка прокрутки (25) позволяет считывать измерения, выполненные на АБП (напряжение сетей переменного тока, нормальной и обходной, режим работы, емкость аккумуляторной батареи и заводской номер АБП).



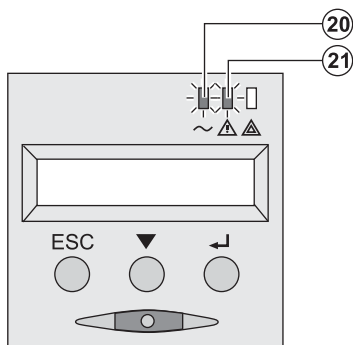
Персонализация АБП



Если предусматривается персонализация АБП, рекомендуется войти в режим персонализации АБП на этом этапе. Войти в этот режим можно с помощью кнопок на панели управления или через программное обеспечение **Personal Solution-Pac** для Windows, которое имеется на компакт-диске **Solution-Pac** компании EATON.

3.2 Работа от аккумуляторной батареи

Переход на батарею

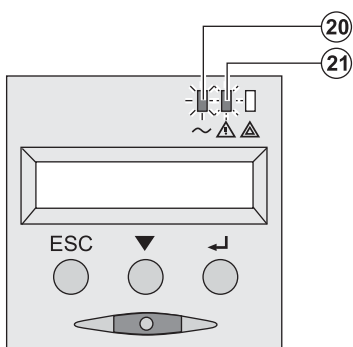


- ▶ Если исчезнет напряжение сети, подсоединенное оборудование продолжает получать питание от АБП. Поставляемая энергия берется от аккумуляторной батареи.
- ▶ Световые индикаторы (20) и (21) горят.
- ▶ Каждые 10 секунд дается короткий аварийный звуковой сигнал.

Подсоединенное к АБП оборудование получает питание от аккумуляторной батареи.

На дисплее указывается оставшаяся продолжительность автономной работы батареи.

Устанавливаемый порог конца автономной работы батареи



- ▶ Световые индикаторы (20) и (21) горят.
- ▶ Каждые 3 секунды дается короткий аварийный звуковой сигнал.

Остается незначительное время автономной работы батареи. Закрыть все прикладные программы соединенного с АБП оборудования, т. к. автоматическое отключение АБП неизбежно.

3. Эксплуатация

Конец автономной работы батареи



- ▶ Все световые индикаторы гаснут.
- ▶ Звуковой аварийный сигнал отсутствует.

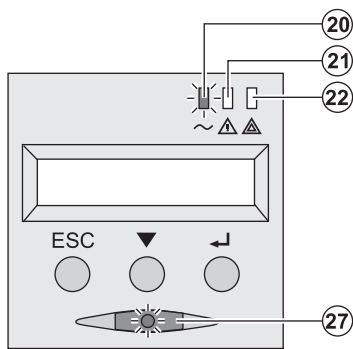


АБП полностью отключен.

3.3 Восстановление напряжения сети

После исчезновения напряжения сети АБП автоматически перезапускается при его восстановлении (если только эта функция не была деактивирована при персонализации АБП), и оборудование вновь получает питание.

3.4 Отключение АБП



Нажать на кнопку (27) и удерживать ее более 2 секунд.

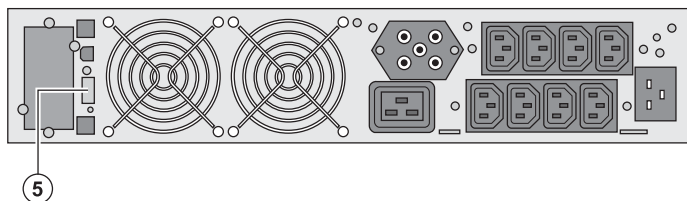
Соединенное с АБП оборудование больше не получает питания.

3.5 Использование функций дистанционного управления АБП

АБП имеет две функции дистанционного управления на выбор.

- ▶ **RPO** (Remote Power Off, т. е. Дистанционное выключение питания): это функция дистанционного выключения АБП, которая позволяет выключать все оборудование, соединенное с АБП, с помощью выносного контакта пользователя. Перезапуск АБП требует ручного вмешательства.
- ▶ **ROO** (Remote ON/OFF, т. е. Дистанционное ВКЛ./ВЫКЛ.): это функция дистанционного включения/выключения АБП, которая разблокирует выносную кнопку (27).

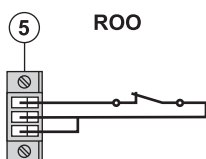
Эти функции обеспечиваются размыканием контакта, который включается между соответствующими выводами разъема (5) на передней панели АБП (см. иллюстрации ниже).



Подсоединение и тест команд дистанционного управления



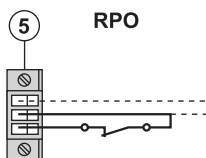
- 1 - Убедиться, что АБП выключен и сеть электропитания отсоединена.
- 2 - Снять разъем (5), отвинтив винты.
- 3 - Подсоединить герконовый контакт замыкающего типа с развязкой (60 В пост. тока/30 В пер. тока макс., 20 мА макс., сечение кабеля 0,75 мм²) между двумя выводами разъема (5) – см. иллюстрацию.



Контакт разомкнут: выключение АБП

Контакт замкнут: включение АБП (АБП соединен с сетью, и напряжение сети имеется)

Примечание. Команда местного включения/выключения с помощью кнопки (27) остается приоритетной по отношению к дистанционной команде.



Контакт разомкнут: выключение АБП

Чтобы вернуться к нормальной работе, деактивировать внешний контакт дистанционного выключения и перезапустить АБП кнопкой (27).

4 - Воткнуть разъем (5) в его гнездо на передней панели АБП.

5 - Подсоединить и перезапустить АБП согласно вышеописанным процедурам.

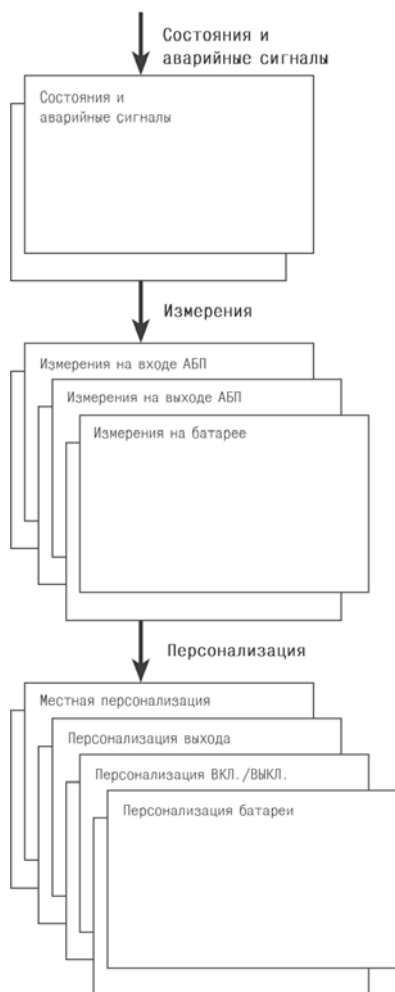
6 - Для проверки этой функции активировать внешний контакт дистанционного управления.



Внимание! Этот разъем должен соединяться исключительно с цепями уровня TBTS (Très Basse Tension de Sécurité, т. е. Очень низкое безопасное напряжение).

4. Доступ к функциям измерения и персонализации

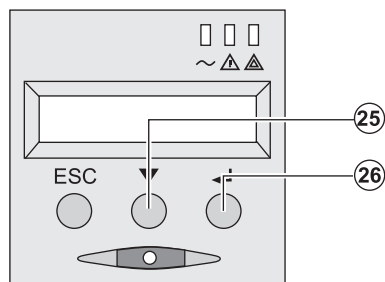
4.1 Структура дисплея



4.2 Доступ к функциям измерения

Последовательное нажатие на кнопку прокрутки (25) позволяет получить доступ к состояниям и к возможным аварийным сигналам, а также к функциям измерения напряжения, тока, частоты, отдаваемой мощности и продолжительности автономной работы батареи.

4.3 Персонализация с панели управления



- ▶ Последовательно нажимать на кнопку прокрутки (25), чтобы вывести на дисплей меню персонализации.
- ▶ Кнопка подтверждения (26) позволяет получить доступ к различным функциям.
- ▶ И наконец, подтвердить свой выбор, вновь нажав на кнопку подтверждения (26).

Местная персонализация

Функция	Заводская установка	Другой выбор
Язык	Английский	Французский, испанский, немецкий, итальянский, голландский
Аварийный звуковой сигнал	Активная	Неактивная

4. Доступ к функциям измерения и персонализации

Персонализация выхода

Функция	Заводская установка	Другой выбор	Комментарии
Выходное напряжение ⁽¹⁾	230 В пер. тока	200/208/220/240 В пер. тока	
Преобразователь частоты ⁽¹⁾	Неактивная	Активная	Подсоединенное оборудование никогда не переключается на обходную сеть
Выходная частота ⁽¹⁾	Автоматический выбор	50/60 Гц	Может выбираться пользователем, только если функция преобразователя частоты активирована
Переключение на обходную сеть электропитания ⁽¹⁾	Если напряжение обходной сети электропитания переменным током в пределах допусков	Если напряжение обходной сети электропитания переменным током не в пределах допусков	
Уровень перегрузки ⁽¹⁾	102%	50 / 70%	Аварийный сигнал в случае превышения порогового уровня

(1) Эти параметры могут изменяться, только если АБП выключен (OFF).

Подробные комментарии имеются в программном обеспечении **Personal Solution-Pac**.

Персонализация включения/выключения (ON/OFF)

Функция	Заводская установка	Другой выбор	Комментарии
Пуск от батареи	Активная	Неактивная	
Автоматический перезапуск	Активная	Неактивная	Автоматический перезапуск АБП по возвращении напряжения сети
Энергосбережение	Неактивная	Активная	Если функция активная: автоматическое выключение по достижении предела автономной работы батареи по уровню мощности < 5%
Обнаружение инверсии фазы/нейтрали (SWF)	Неактивная	Активная	Если функция активная: АБП остается выключенным при обнаружении инверсии фазы/нейтрали

Персонализация батареи

Функция	Заводская установка	Другой выбор	Комментарии
Тест батареи	Еженедельный	Отсутствие теста/ежедневный/ежемесячный	
Выбор продолжительности автономной работы батареи	Автоматическое обнаружение числа блоков батареи	От 65 до 400 А.ч	
Защита батареи от глубокого разряда	Активная	Неактивная	Если функция неактивная: потеря гарантии EATON

4.4 Персонализация с помощью внешнего программного обеспечения



- ▶ Вставить в считывающее устройство компакт-диск **Solution-Pac**.
- ▶ На первом экране навигатора выбрать «Solution Point à Point» (Двухточечное решение) и установить программное обеспечение **Personal Solution-Pac** в соответствии с инструкциями на экране.
- ▶ Затем выбрать «Configuration» (Конфигурация), а затем «Configuration avancée» (Улучшенная конфигурация) и «Paramètres onduleur» (Параметры АБП).

Следует отметить, что версии Linux/Unix/MacOS программного обеспечения **Personal Solution-Pac** не предусматривают этой возможности.

5. Техобслуживание

5.1 Неисправности



Если световой индикатор (21) или (22) горит, это означает, что имеется неисправность в работе или аварийный сигнал.

Для отключения звукового аварийного сигнала использовать кнопку перехода (24).

	Признак неисправности	Возможная причина	Средство устранения
1	АБП не включается, на алфавитно-цифровом дисплее сообщение: COLD START NOK (сбой включения в холодном состоянии) CHECK AC WIRING (проверить соединение с сетью)	Отсутствие напряжения сети, или сеть соединена с выходом АБП.	Проверить правильность соединения АБП с сетью электропитания.
2	Световой индикатор (22) и световой индикатор SWF (11) на задней панели АБП горят. На алфавитно-цифровом дисплее сообщение: SITE WIR. FAULT (ошибка соединения с сетью) CHECK AC WIRING (проверить соединение с сетью)	Инверсия фазы входного питания. АБП не включается.	<ul style="list-style-type: none"> ▶ В случае электрической сети с заземленной нейтралью для перекидки фаз отсоединить и повернуть на 180° разъем сети (типа DIN-SCHUKO) или вызвать электрика, чтобы он изменил соединения. ▶ В случае сети другого типа деактивировать функцию обнаружения инверсии.
3	Световой индикатор (22) горит, на алфавитно-цифровом дисплее сообщение: NO BATTERY (батарея отсутствует) CHECK CONNECTION (проверить соединения)	Батарея подсоединена неверно.	Проверить подсоединение батареи (см. § 5.2 «Замена блока батареи»).
4	Световой индикатор (22) горит, на алфавитно-цифровом дисплее сообщение: BATTERY FAULT (дефект батареи) SERV REQUIRED (вызвать электрика)	Был обнаружен дефект батареи.	Выполнить замену батареи (см. § 5.2 «Замена блока батареи»). Обратиться в отдел послепродажного обслуживания.
5	Световой индикатор (21) горит, на алфавитно-цифровом дисплее сообщение: OVERLOAD ALARM (сигнал перегрузки) REDUCE LOAD (уменьшить нагрузку)	Коэффициент перегрузки превышает запрограммированный уровень перегрузки или перегрузочную способность АБП.	Проверить значения мощности, потребляемой подсоединенным оборудованием, и отсоединить неприоритетное оборудование. Проверить запрограммированный уровень перегрузки.
6	Световой индикатор (22) горит, на алфавитно-цифровом дисплее сообщения: LOAD UNPROTECTED (нагрузка не защищена) OUTPUT OVERLOAD (перегрузка выхода)	АБП перегружен. Подсоединенное оборудование получает питание прямо от сети через обходную линию.	Проверить значения мощности, потребляемой подсоединенным оборудованием, и отсоединить неприоритетное оборудование.
7	Световой индикатор (22) горит, на алфавитно-цифровом дисплее сообщения: REDUCE LOAD (уменьшить нагрузку) RESTART UPS (вновь включить АБП)	Из-за повторных перегрузок АБП заблокирован в положении «Ву-pass». Подсоединенное оборудование получает питание прямо от сети.	Проверить значения мощности, потребляемой подсоединенным оборудованием, и отсоединить неприоритетное оборудование. Выключить и вновь включить АБП, чтобы вернуться в нормальный режим работы.
8	Световой индикатор (22) горит, на алфавитно-цифровом дисплее сообщение: OVERLOAD FAULT (перегрузка) REDUCE LOAD (уменьшить нагрузку)	АБП автоматически выключен из-за значительной перегрузки.	Проверить значения мощности, потребляемой подсоединенным оборудованием, и отсоединить неприоритетное оборудование.
9	Световой индикатор (22) горит, на алфавитно-цифровом дисплее сообщение: LOAD SHORT-CIRCU (КЗ нагрузки) CHECK WIRING (проверить соединения)	АБП автоматически выключен из-за короткого замыкания на выходе АБП.	Проверить установку на выходе АБП (кабельные соединения, наличие неисправного оборудования).
10	Световой индикатор (22) горит, на алфавитно-цифровом дисплее сообщение: INTERNAL FAULT (внутренняя неисправность) SERV REQUIRED (вызвать электрика)	АБП имеет внутреннюю неисправность. Возможны два случая: ▶ нагрузка продолжает получать питание, но непосредственно от сети, через обходную линию, ▶ нагрузка не получает более питания.	Обратиться в отдел послепродажного обслуживания.
11	На алфавитно-цифровом дисплее сообщение: REMOTE POWER OFF (дистанционное выключение питания) RPO (аварийный останов)	Срабатывание контакта «Аварийный останов» (RPO) вызвало выключение АБП.	Установить контакт в нормальное положение и нажать на кнопку ON/OFF (ВКЛ./ВЫКЛ.), чтобы вновь включить аппарат.

Неисправности АБП, оборудованного блоком HotSwap MBP



	Признак неисправности	Возможная причина	Средство устранения
12	Подсоединенное оборудование не получает питания, когда поворотный переключатель (49) блока HotSwap MBP находится в положении «By-pass».	<ul style="list-style-type: none"> Оборудование подсоединено к выходу АБП вместо подключения к блоку HotSwap MBP. Шнур питания от сети соединен со входом АБП вместо соединения с блоком HotSwap MBP. 	Проверить соединения между АБП и блоком HotSwap MBP (см. § 2.6).
13	Подсоединенное оборудование не получает питания, когда поворотный переключатель (49) блока HotSwap MBP находится в положении «Normal».	<ul style="list-style-type: none"> АБП выключен. Неверные соединения между АБП и блоком HotSwap MBP. 	<ul style="list-style-type: none"> Вновь включить АБП. Проверить соединения между АБП и блоком HotSwap MBP (см. § 2.6).
14	Подсоединенное оборудование не получает питания при исчезновении напряжения сети.	<ul style="list-style-type: none"> Поворотный переключатель (49) блока HotSwap MBP находится в положении «By-pass». Неверные соединения между АБП и блоком HotSwap MBP. 	<ul style="list-style-type: none"> Установить поворотный переключатель (49) блока HotSwap MBP в положение «Normal». Проверить соединения между АБП и блоком HotSwap MBP (см. § 2.6).

В случае неисправности, вызвавшей выключение АБП, нажать на кнопку включения/выключения (27), чтобы квитировать неисправность.

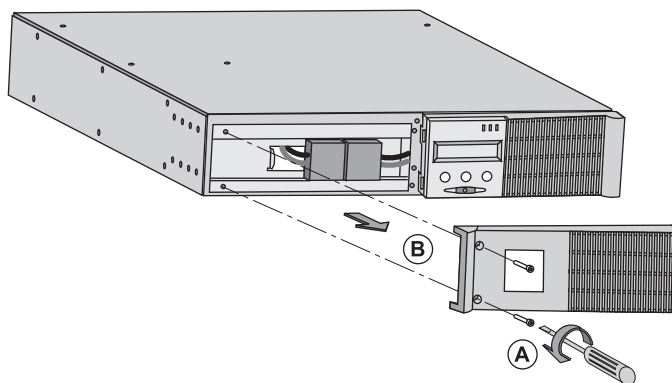
5.2 Замена блока батареи

Напоминание о правилах по технике безопасности:

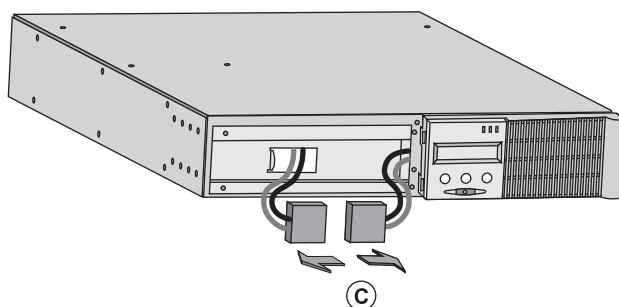
Аккумуляторная батарея представляет риск поражения электрическим током и имеет высокий ток короткого замыкания. При любой работе на элементах аккумуляторной батареи должны приниматься следующие меры предосторожности:

- Снять с рук часы, перстни, обручальные кольца, браслеты и любые другие металлические предметы.
- Использовать инструмент с изолированной рукояткой.

Демонтаж блока батареи

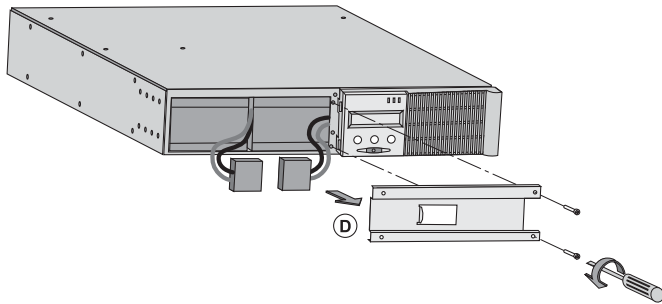


- А - Отсоединить левую половину передней панели, отвинтив 2 винта.
- Б - Снять эту половину панели.

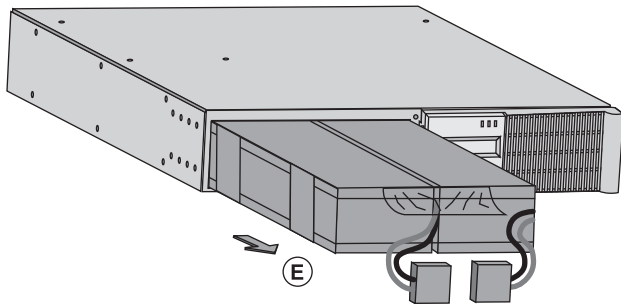


- В - Отсоединить блок батареи, разъединив 2 разъема (запрещается тянуть за кабели).

5. Техобслуживание



Г - Снять защитную металлическую крышку батареи, отвинтив 2 винта.



Д - Вынуть блок батареи, потянув за пластмассовый язычок, и заменить блок.

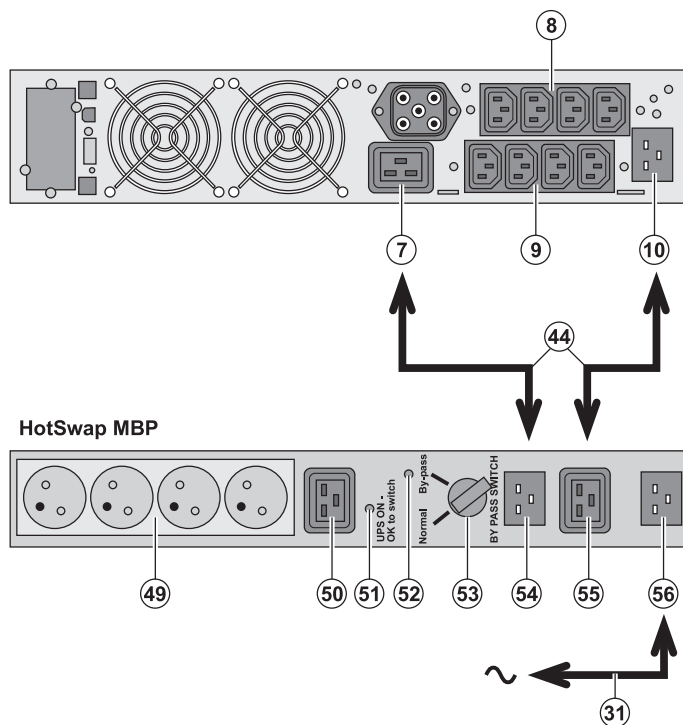
Установка нового блока батареи

Выполнить вышеописанные операции в обратном порядке.



- ▶ Для обеспечения безопасности и того же уровня рабочих характеристик использовать только элементы аккумуляторной батареи поставки компании EATON.
- ▶ Надежно вставить друг в друга штыревую и гнездную части разъема при соединении.

5.3 Техобслуживание АБП, оборудованного блоком HotSwap MBP



Блок HotSwap MBP обеспечивает техобслуживание и, при необходимости, замену АБП таким образом, чтобы это не повлияло на электропитание соединенного с ним оборудования (функция HotSwap).

Техобслуживание

- 1 - Установить переключатель (53) в положение «By-pass»: красный световой индикатор блока HotSwap MBP загорается, указывая, что оборудование получает питание прямо от электрической сети.
- 2 - Выключить АБП, нажав на кнопку включения/выключения (27) на передней панели АБП: световой индикатор (51) «UPS ON – OK to switch» гаснет, после чего АБП может быть отсоединен и заменен.

Возврат к нормальной работе

- 1 - Убедиться, что АБП правильно соединен с блоком HotSwap MBP.
- 2 - Включить АБП, нажав на кнопку включения/выключения (27) на передней панели АБП: световой индикатор (51) «UPS ON – OK to switch» на блоке HotSwap MBP загорается (если нет, блок HotSwap MBP соединен с АБП неправильно).
- 3 - Установить переключатель (53) в положение «Normal»: красный световой индикатор блока HotSwap MBP гаснет.

5.4 Учебно-тренировочный центр

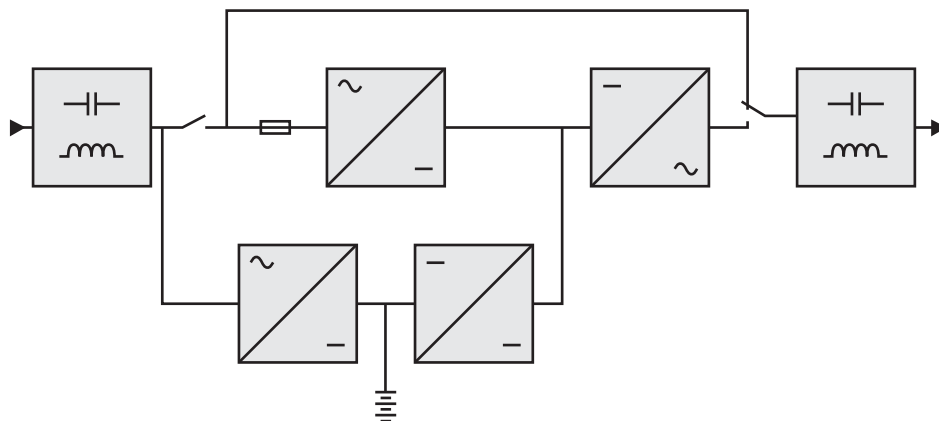


Для более подробного ознакомления с работой АБП компании EATON и с техобслуживанием первого уровня мы предлагаем комплексную программу профессионально-технического обучения на английском и французском языках.

For further information, please visit our website: www.eaton.com

6. Приложения

6.1 Технические характеристики



	EX 2200	EX 3000	EX 3000 XL	EX EXB
Выходная мощность	2200 В.А ⁽¹⁾ / 1980 Вт	3000 В.А ⁽²⁾ / 2700 Вт ⁽³⁾	3000 В.А ⁽²⁾ / 2700 Вт ⁽³⁾	
Сеть электропитания <ul style="list-style-type: none"> ▶ Номинальное входное напряжение ▶ Диапазон входного напряжения ▶ Частота ▶ Коэффициент мощности ▶ Ток утечки 	Однофазное 230 В от 110 / 140 / 200 В до 284 В ⁽⁴⁾ 50/60 Гц (автоматический выбор) > 0,95 < 2 мА			
Выход для потребителя <ul style="list-style-type: none"> ▶ Напряжение ▶ Частота ▶ Гармоническое искажение 	Однофазное 230 В ± 3% ⁽⁵⁾ 50/60 Гц ± 0,5% ⁽⁶⁾ < 4% на линейной нагрузке, < 6% на нелинейной нагрузке 102% в постоянном режиме, 105% в течение 20 с, > 130% в течение 1,5 с			
▶ Допустимая перегрузка				
▶ Ток	9,6 А ⁽⁷⁾	13 А ⁽⁸⁾		
Аккумуляторная батарея	6 элементов х 12 В – 7 А.ч свинцовых, герметичных, не требующих техобслуживания	6 элементов х 12 В – 9 А.ч свинцовых, герметичных, не требующих техобслуживания	без внутренней батареи	2 цепи по 6 элементов х 12 В – 9 А.ч свинцовых, герметичных, не требующих техобслуживания
Условия окружающей среды <ul style="list-style-type: none"> ▶ Рабочая температура ▶ Относительная влажность ▶ Температура при хранении ▶ Высота над уровнем моря 	От 0°С до 40°С От 20% до 90% (без конденсации) От - 25°С до 40°С 1000 м			
▶ Уровень шума	< 46 дБа		< 50 дБа	

(1) В зависимости от выходного напряжения, которое может быть выбрано из следующих значений 200 В / 208 В / 220 В / **230 В** / 240 В, выходная мощность составит 1980 В.А / 1980 В.А. / 2200 В.А / **2200 В.А** / 2200 В.А.

(2) В зависимости от выходного напряжения, которое может быть выбрано из следующих значений 200 В / 208 В / 220 В / **230 В** / 240 В, выходная мощность составит 2700 В.А / 2700 В.А. / 3000 В.А / **3000 В.А** / 3000 В.А

(3) Выходная мощность 2700 Вт в стандартном варианте и 2400 Вт с блоком **EXB**.

(4) Значения даны при 33% / 66% / 100% от мощности АБП.

(5) Выбирается из значений 200 В / 208 В / 220 В / **230 В** / 240 В программным обеспечением **UPS Config**. (Конфигурация АБП).

(6) Режим преобразователя частоты, программируемый программным обеспечением **UPS Config**.

(7) В зависимости от выходного напряжения, которое может быть выбрано из следующих значений 200 В / 208 В / 220 В / **230 В** / 240 В, максимальный выходной ток составит 9,9 А / 9,5 А / 10 А / **9,6 А** / 9,2 А.

(8) В зависимости от выходного напряжения, которое может быть выбрано из следующих значений 200 В / 208 В / 220 В / **230 В** / 240 В, максимальный выходной ток составит 13,5 А / 13 А / 13,6 А / **13 А** / 12,5 А.

6.2 Глоссарий

АБП	Аппарат бесперебойного питания.
Байпас пер. тока	Обходная линия сети электропитания, управляемая от АБП и обеспечивающая прямое питание оборудования от сети в случае перегрузки или нарушения работы аппарата бесперебойного питания.
Глубокий разряд	Разряд аккумуляторной батареи ниже допустимого предела, вызывающий необратимые повреждения батареи.
Запуск от батареи	Позволяет осуществлять включение оборудования, соединенного с АБП, при отсутствии напряжения сети электропитания. АБП при этом работает только от батареи.
Коэффициент нагрузки	Отношение мощности, потребляемой соединенным с АБП оборудованием, к максимальной мощности, которую может обеспечить АБП.
Нормальная линия пер. тока	Нормальная линия питания АБП от электросети.
Оборудование	Аппараты или устройства, соединенные с выходом АБП.
Персонализация	Программирование некоторых параметров со значениями, отличными от стандартной конфигурации на выходе с завода-изготовителя. Некоторые функции АБП могут быть изменены программным обеспечением Personal Solution-Pac с целью наилучшего удовлетворения потребностей пользователя.
Порог предупредительного сигнала конца автономной работы батареи	Предельное значение уровня напряжения батареи, позволяющее обнаружить близкий конец срока ее автономной работы и принять необходимые меры, касающиеся близкого отключения питания оборудования.
Преобразователь частоты	Функция, позволяющая преобразовывать частоту сети электропитания между входом и выходом АБП (50 Гц -> 60 Гц или 60 Гц -> 50 Гц).
Программируемые разъемы	Разъемы, которые могут быть автоматически разгружены в течение срока автономной работы батареи (выдержка времени отключения может задаваться программным обеспечением Personal Solution-Pac). АБП имеет 2 группы по 2 программируемых разъема.
Программное включение/выключение АБП	Функция, разрешающая или запрещающая программному обеспечению защиты систем информатики запускать последовательности включения/выключения АБП.
Продолжительность автономной работы	Промежуток времени, в течение которого оборудование получает питание от АБП, работающего от аккумуляторной батареи.
Тест батареи	Внутренний тест АБП, позволяющий проверить состояние аккумуляторной батареи.
FlexPDU	Блок выходных разъемов АБП для установки в раму стойки. Имеются блоки различного типа, соответствующие различным типам разъемов.
HotSwap MBP	Блок ручного обхода АБП с целью техобслуживания. Имеются блоки различного типа, соответствующие различным типам разъемов.

